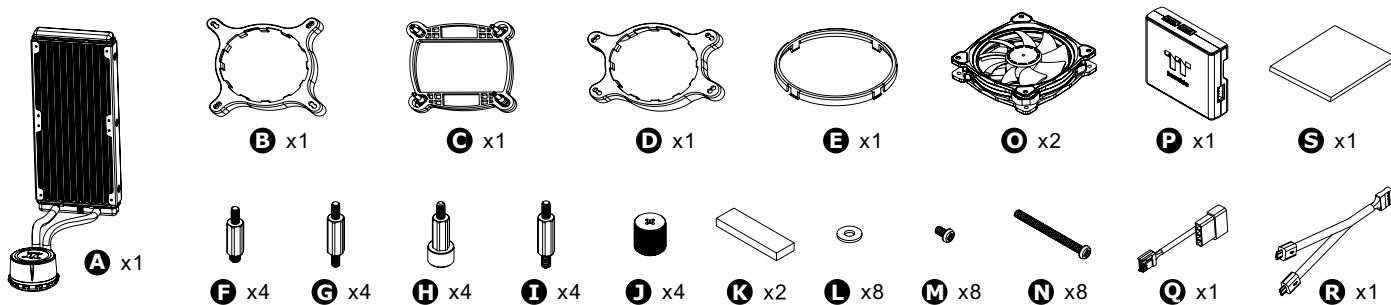
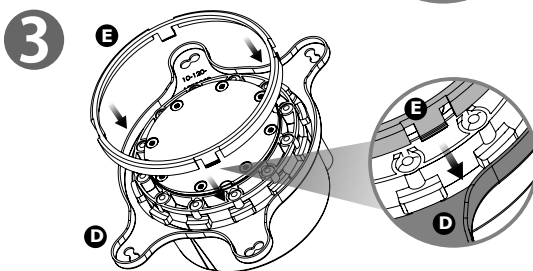
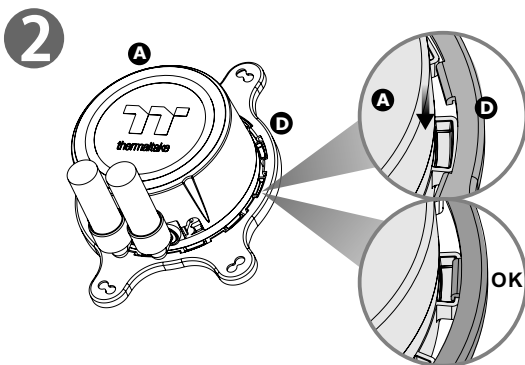
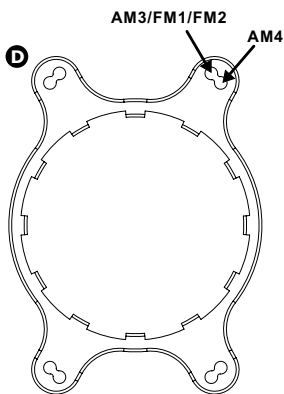


## Parts List

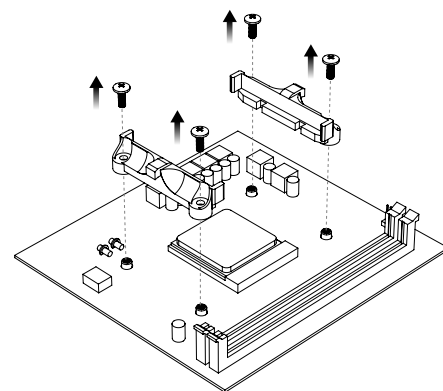


## AMD Installation

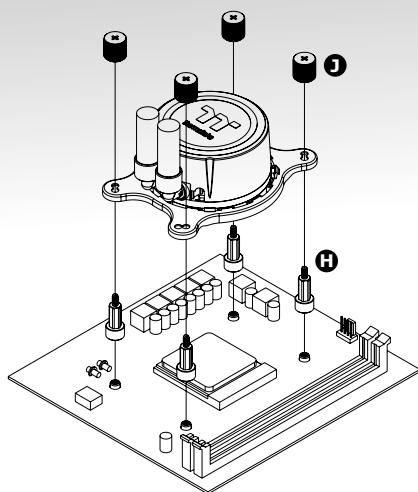
**1** Before Installation, please verify the CPU platform and select the appropriate holes for your CPU socket.



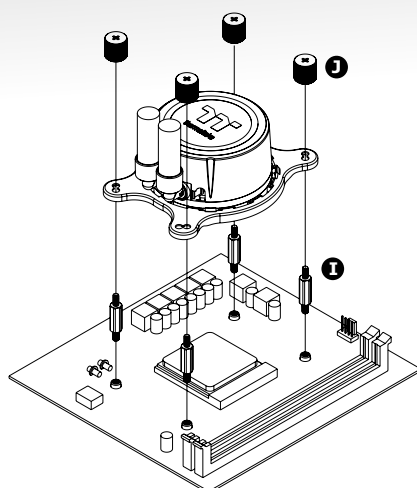
**4** Remove the stock AMD top mounting bracket.



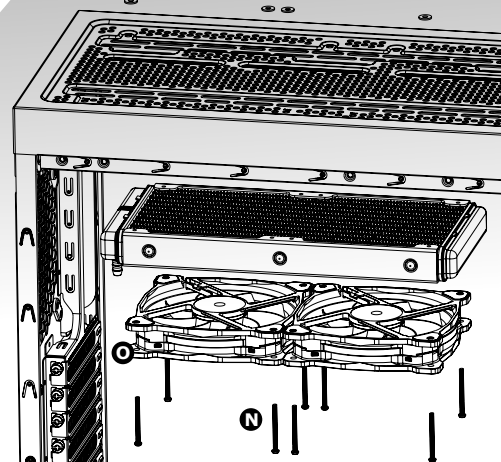
**5** AM4



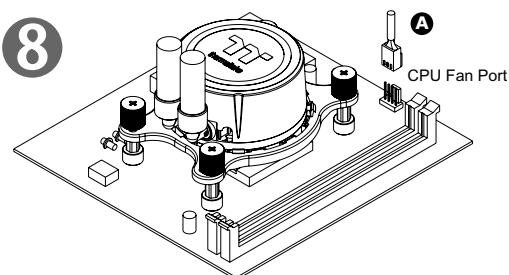
**6** FM2/FM1/AM3+/AM3



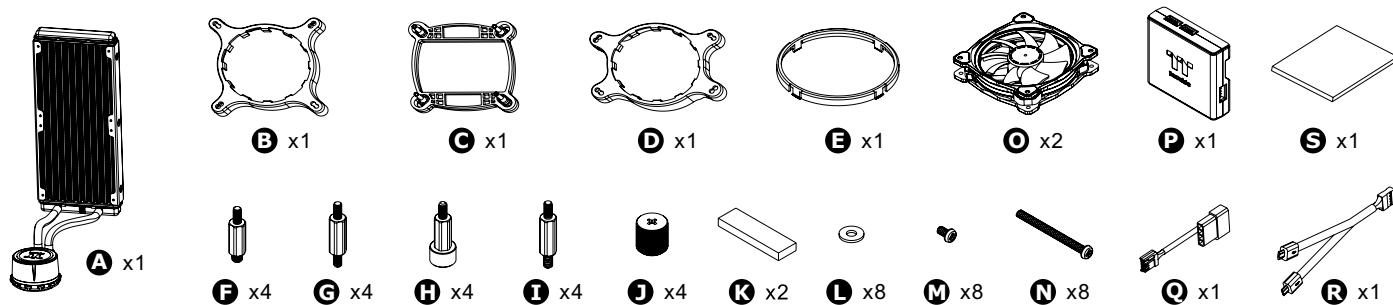
**7**



**8**



## Parts List



## Intel Installation

### Intel (Socket LGA 1366/1156/1155/1151/1150) Installation

For LGA 2066/2011 installation, please skip to the next step

