

Matrox **Veos**

Basic connection setup

20075-G50-0105
FVS-BKT10E

www.matrox.com/graphics

matrox[®]
Graphics for Professionals

Connection setup

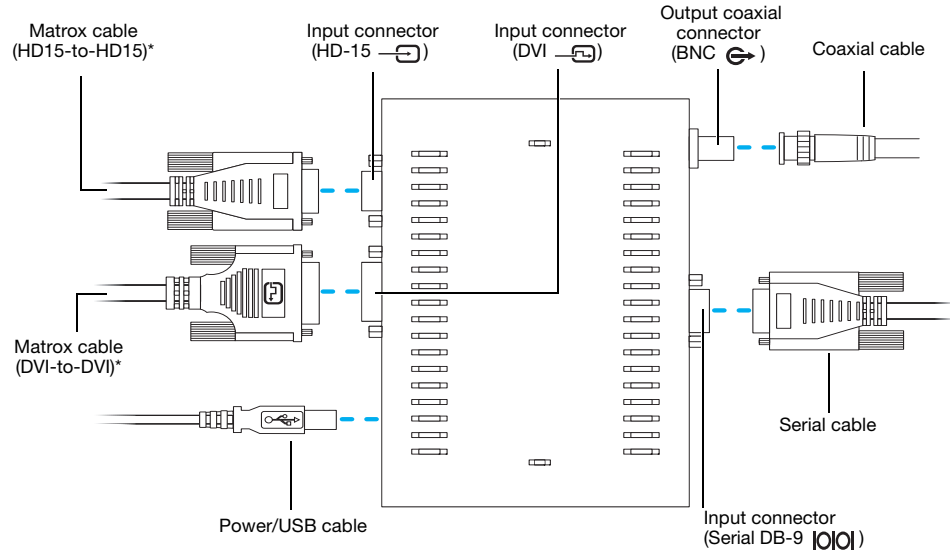
This section describes how to connect your Matrox Veos product.

Description of indicator lights

The indicator lights on your Veos units provide status information on your connection setup. The following describes the different indicator lights on your Veos units:

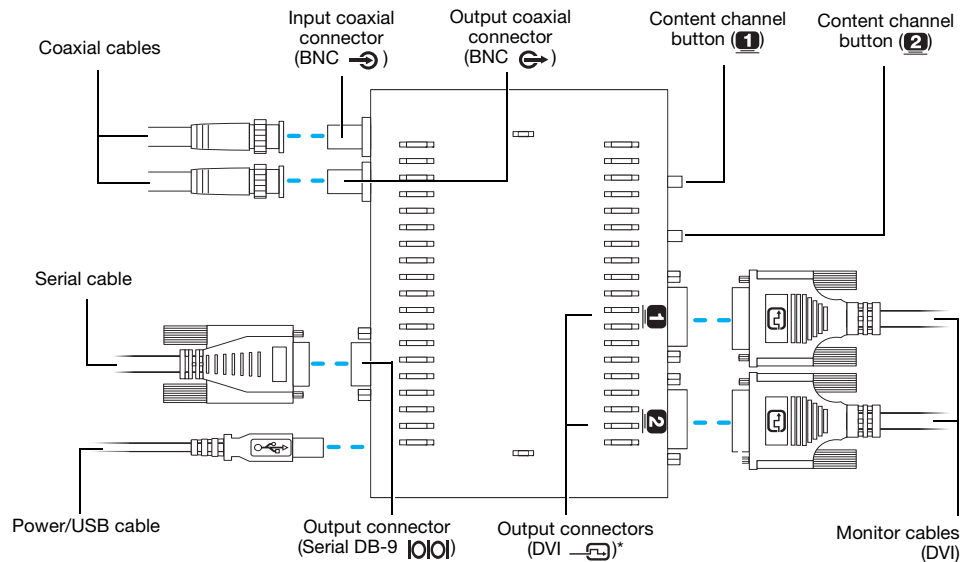
	Red indicator light	Green indicator light	No indicator light (black)
Master unit	Unit is powered. Unsupported display resolution is selected.	Valid input signal is detected.	Unit isn't powered.
Display unit	Unit is powered. No valid input signal is detected.	Valid input signal is detected.	Unit isn't powered.
Display unit (Content channel lights)	Unit is powered. Coaxial cable may not be connected or an unsupported coaxial cable is connected.	Coaxial cable is supported and properly connected.	Unit isn't powered.
Repeater unit	Unit is powered.	Valid input signal is detected.	Unit isn't powered.

Connection overview – Master unit



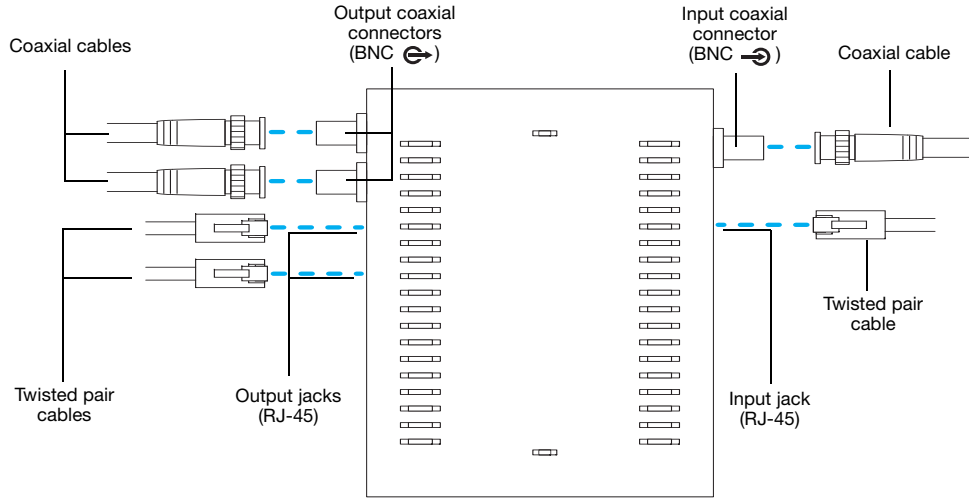
* Depending on your graphics hardware, you need to attach *either* the Matrox HD15-to-HD15 cable or the Matrox DVI-to-DVI cable to the input connector on your Master unit.

Connection overview – Display unit



* If your monitor has an HD-15 connector, use a DVI-to-HD15 adapter included with your Display unit to connect your monitor to the monitor connector on your Display unit.

Connection overview – Repeater unit



More information

We provide additional information in help files. Also, check the Matrox Web site (www.matrox.com/graphics) for the latest Matrox software, technical support, and product information. A Matrox Veos user guide is available as an Adobe Reader file.