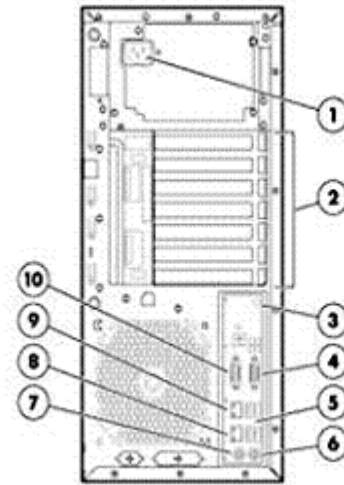
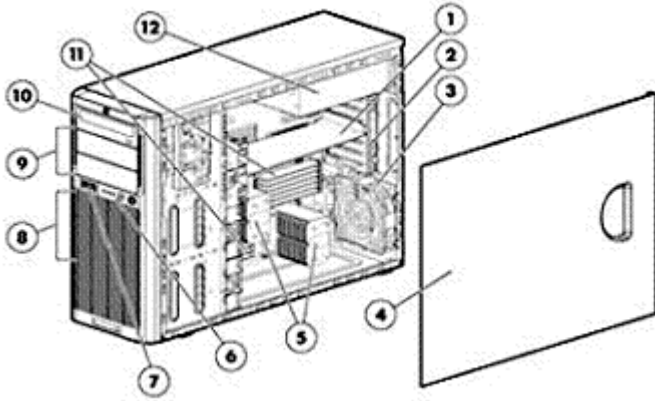


### Overview



#### Front View:

1. SATA/SAS adapter card
2. Card bracket retainer
3. Rear fan
4. Side access panel
5. Processor socket and Heatsink
6. LED indicators and power button
7. Upfront USB ports
8. Hard drive bay (inside)
9. One full height or two half height media bay (s)
10. Optical drive media bay
11. DIMM socket (total twelve DIMMs supported)
12. Power Supply

#### Rear View:

1. AC input connector
2. Expansion slot
3. UID LED
4. VGA monitor connector
5. USB 2.0 ports (4)
6. Keyboard connector
7. Mouse connector
8. NIC port
9. Dedicate NIC port
10. Serial port connector

### At A Glance

The HP ProLiant ML150 G6 is an expandable and affordable solution for growing businesses. Redundant power supply and redundant fan options help to provide more protection on power and thermal to keep your critical business running. Data security, which is one of the major concerns in the industry, is ensured by the TPM offering that provides data encryption to protect from data theft. Companies with remote locations can take advantage of the ML150 G6 embedded Lights-Out 100 remote management feature to decrease server/company downtime, decrease emergency travel needs, and increase overall productivity. Overall, the HP ProLiant ML150 G6 is easy on your IT budget with significant headroom to grow with your business.

#### ● Processor:

- Quad-Core Intel® Xeon® E5500 processor series, up to 2.53GHz
- Dual-Core Intel® Xeon® E5500 processor series, up to 1.86 GHz
- Intel® 5500 chipset

#### ● Memory:

- Twelve (12) DIMM slots
- Up to 48GB, using PC3-10600R DDR3 Registered (RDIMM) memory, operating at 1066MHz when fully populated at 2 DIMMs per Channel in 12 slots.
- Up to 24GB, using PC3-10600E DDR3 Unbuffered (UDIMM) memory, operating at 1066MHz when fully populated at 2 DIMMs per Channel in 12 slots.

### Overview

- **Storage Controller:**
  - Performance model: HP Smart Array P410/256MB RAID Controller (RAID 0/1/1+0/5/5+0)
  - Base model: HP Smart Array P410/0MB RAID Controller (RAID 0,1std)
  - Entry model: HP Smart Array B110i SATA RAID Controller (RAID 0,1,10)
- **Internal Drive Support:**
  - Internal SAS storage capacity of up to 8.0TB (8 x 1TB 3.5" SAS drives)
  - Internal SATA storage capacity of up to 8.0TB (8 x 1TB 3.5" SATA drives)
  - NOTE: Supports up to eight (8) SAS/SATA hard drives via 2nd hot plug hard disk drive cage, 750W CS HE Power Supply, Redundant Power Supply Enablement Kit and HP Smart Array P410 Controller.
- **Network Controller:**
  - Embedded HP NC107i PCI Express Gigabit Server Adapter
- **Expansion Slots:**
  - Five expansion slots:
    - Slot 1: 32bit/33MHz PCI 3.3V
    - Slot 2: x8 PCI-Express (Gen 1 x4 link)
    - Slot 3: x8 PCI-Express (Gen 2 x4 link)
    - Slot 4: x16 PCI-Express (Gen 2 x16 link)
    - Slot 5: x8 PCI-Express (Gen 2 x4 link)
- **Ports:**
  - 8 USB 2.0: 4 rear, 2 internal (1 for internal USB tape), 2 front
- **Security - Trusted Platform Module:**
  - One (1) internal TPM 1.2 module connector
- **Power Supply:**
  - Standard: 460W Non-Hot Plug, Non-Redundant Power Supply (70% efficiency)
  - Optional: 750W CS HE Gold Hot Plug Power Supply (92% efficiency)
  - NOTE: The 2nd hot plug hard disk drive cage requires the purchase of 750W Redundant Power Supply, Redundant Power Supply Enablement Kit and HP Smart Array P410 Controller (if not already part of the configuration)
- **Form Factor:**
  - Tower (5U)
  - NOTE: Rack mounting available via HP Tower to Rack Conversion Tray, Universal Kit. Please see the options section in this QuickSpecs
- **Infrastructure Management:**
  - HP Insight Control suite for Linux (ICE-LX), a product option, delivers essential infrastructure management that can help save time and money by making it easy to deploy, monitor, control and optimize your IT infrastructure through a single, simple management console. The ICE-LX suite supports Linux-based servers and management consoles
  - HP ProLiant Onboard Administrator Powered Lights-Out 100i with optional LO100i Advanced Licenses for Virtual KVM and Virtual Media.
  - The HP ProLiant Easy Set-up CDs and ISO image downloads offer Assisted and Manual single server installation, setup, and deployment capability. Capabilities provided are:
    - AutoRun
    - Assisted Installation Microsoft Windows 2003 Server and Microsoft Windows 2008 Server
    - OS and SW available for Manual Installation are listed on each servers' QuickSpecs
- **Deployment/Serviceability:**
  - Easy chassis entry and component access
  - Customer Self Repair (CSR): HP products are designed with many CSR parts to minimize repair time and allow for greater flexibility in performing defective parts replacement
  - HP ProLiant 100 series Server Set-up and Deployment software tools:
    - The HP ProLiant Easy Set-up CDs offer Assisted and Manual single server installation, setup, and deployment capability. Capabilities provided are:
      - AutoRun
      - Assisted Installation Microsoft Windows 2003 Server and Microsoft Windows 2008 Server.
      - Operating System and Software available for Manual Installation are listed on each servers' QuickSpecs

### Overview

- Array Configuration Utility (ACU)
- Array Diagnostics Utility (ADU)
- HP Insight Diagnostics
- **Operating System:**
  - Supports Windows, RHEL, SLES and XenServer (Retail)
- **Warranty:**
  - This product is covered by a global limited warranty and supported by HP Services and a worldwide network of HP Authorized Channel Partners. Hardware diagnostic support and repair is available for one year from date of purchase. Support for software and initial setup is available for 90 days from date of purchase. Enhancements to warranty services are available through HP Care Pack services or customized service agreements. SATA hard drives have a one year warranty.  
**NOTE:** Server Warranty includes 1 year Parts, 1 year Labor, 1-year on-site support with next business day response. Warranty repairs may be accomplished through the use of Customer Self Repair (CSR) parts. These parts fall into two categories: 1) Mandatory CSR parts are designed for easy replacement. A travel and labor charge will result when customers decline to replace a Mandatory CSR part; 2) Optional CSR parts are also designed for easy replacement but may involve added complexity. Customers may choose to have HP replace Optional CSR parts at no charge. Additional information regarding worldwide limited warranty and technical support is available at:  
<http://h18004.www1.hp.com/products/servers/platforms/warranty/index.html>

### Standard Features

#### Processor

One of the following depending on configuration

#### Quad-Core Processors

Intel® Xeon® Processor E5540 (2.53 GHz, 8MB L3 Cache, 80W, DDR3-1066, HT, Turbo 1/1/2/2)  
**NOTE:** Available through Configure To Order only. See Factory Integration Models section for more details

Intel® Xeon® Processor E5530 (2.40 GHz, 8MB L3 Cache, 80W, DDR3-1066, HT, Turbo 1/1/2/2)  
**NOTE:** Available through Configure To Order only. See Factory Integration Models section for more details

Intel® Xeon® Processor E5520 (2.26 GHz, 8MB L3 Cache, 80W, DDR3-1066, HT, Turbo 1/1/2/2)

Intel® Xeon® Processor E5506 (2.13 GHz, 4MB L3 Cache, 80W, DDR3-800)

**NOTE:** Available through Configure To Order only. See Factory Integration Models section for more details

Intel® Xeon® Processor E5504 (2.00 GHz, 4MB L3 Cache, 80W, DDR3-800)

#### Dual-Core Processors

Intel® Xeon® Processor E5502 (1.86 GHz, 4MB L3 Cache, 80W, DDR3-800)

**NOTE:** HT indicates that the processor model supports Intel® Hyper-Threading Technology.

**NOTE:** Turbo indicates the maximum potential frequency increment when using Intel® Turbo Boost Technology, with 4, 3, 2, and 1 cores active.

**NOTE:** DDR3 speed is the maximum memory speed of the processor. Actual memory speed may depend on the quantity and type of DIMMs installed.

**NOTE:** For the Intel 5500 Series, the letter preceding the model number indicates the performance/wattage of the processor. "X" denotes High Performance/Wattage; "E" denotes Enterprise Performance/Wattage (Mainstream); and "L" denotes Lower Wattage.

---

#### Cache Memory

One of the following depending on configuration

Integrated 1 x 8MB level 3 cache (E5540, E5530, E5520 sequence)

Integrated 1 x 4MB level 3 cache (E5506, E5504, E5502 sequence)

---

#### Upgradeability

Upgradeable to two processors (dual or quad-core)

**NOTE:** Please contact your regional sales support.

---

#### Chipset

Intel® 5500 Chipset

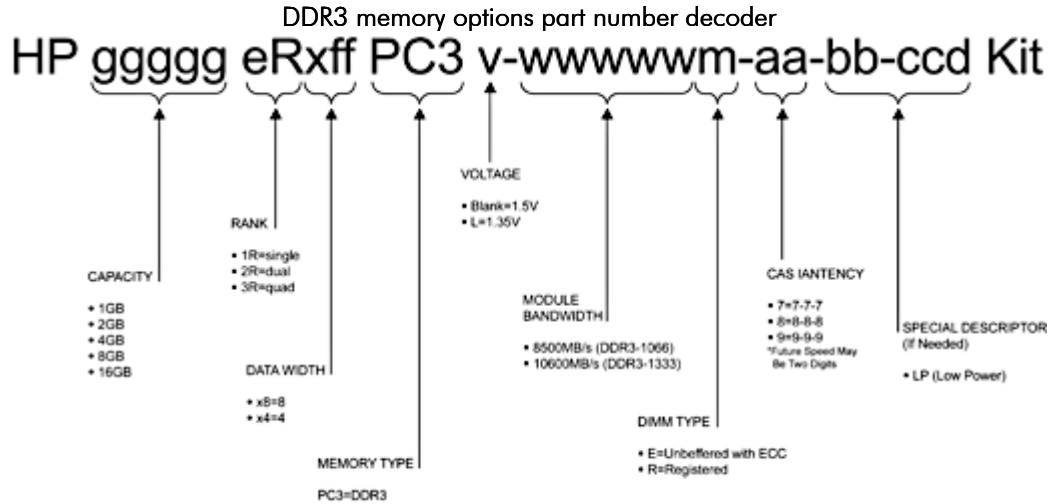
---

### Standard Features

<b>Memory</b>	Type	DDR3 Registered (RDIMM) or Unbuffered (UDIMM)
	Standard (Entry/Base Models)	2 GB
	Standard (Performance Models)	4 GB
	Maximum (RDIMM)	48 GB (12 x 4 GB) for Registered Memory configurations
	Maximum (UDIMM)	24 GB (12 x 2 GB) for Unbuffered Memory configurations

**NOTE:** Depending on the memory configuration and processor model the memory speed may run at 1066MHz or 800MHz. See the Online Memory Configuration Tool for details:

<http://www.hp.com/go/ddr3memory-configurator>.



**Network Controller** Embedded HP NC107i PCI Express Gigabit Server Adapter

Expansion Slots #	Technology	Bus Width	Connector Width	Bus Number*	Form Factor	Notes
1	32-bit/33MHz PCI	N/A	N/A	1	Full length, full height slot	Non Hot-plug
2	PCI-Express (Gen 1)	x4	x8	2	Full length, full height slot	Non Hot-plug
3	PCI-Express (Gen 2)	x4	x8	7	Full length, full height slot	Non Hot-plug
4	PCI-Express (Gen 2)	x16	x16	5	Full length, full height slot	Non Hot-plug
5	PC-Express (Gen 2)	x4	x8	6	Full length, full height slot	Non Hot-plug

### Standard Features

Storage Controller	Entry Model	HP Smart Array B110i SATA RAID Controller (RAID 0,1,10) <b>NOTE:</b> To enable RAID for HP Smart Array B110i SATA controller, use EZ set-up CD to download driver, hpahcizr.sys, part of EZ Set-up CD For more information go to <a href="http://www.hp.com/go/SWRaid">www.hp.com/go/SWRaid</a> . <b>NOTE:</b> SA B110i SATA RAID Controller ships standard with every server.
	Base Model	HP Smart Array P410/Zero Memory RAID Controller (RAID 0,1 std)
	Performance Model	HP Smart Array P410/256MB RAID Controller (RAID 0/1/1 +0/5/5+0)
Storage	Diskette Drive	None ships standard
	Optical Drive	HP Half-Height SATA DVD-ROM Optical Drive ships standard
	Hard Drive	Performance and Base Models (Hot Plug): None ships standard Entry Model (Non-Hot Plug): 1x1 60GB NHP SATA Drive <b>NOTE:</b> Support for additional 4 LFF SAS/SATA hot plug drive requires 2nd hot-plug hard disk drive cage, 750W CS HE Power Supply, Redundant Power Supply Enablement Kit and HP Smart Array P410 Controller (if not already part of the configuration)
Maximum Internal Storage	SATA	8.0TB (8 x 1TB 3.5") SATA
	SAS	8.0TB (8 x 1TB 3.5") SAS <b>NOTE:</b> HP Smart Array B110i SATA RAID controller support for a single logical drive is limited to 2TB. <b>NOTE:</b> Support for more than 4 hard drives requires the purchase of one (1) Hot-plug hard drive cage (P/N: 487737-B21), one (1) HP 750W CS HE Power Supply (P/N: 512327-B21), one (1) Redundant Power Supply Enablement Kit (P/N: 508544-B21) and HP Smart Array P410 Controller (if not already part of the configuration). <b>NOTE:</b> HP NHP Internal SAS/SATA 4 Port Cable Kit (487734-B21) is required when adding Smart Array P410 Controller on Non-Hot Plug SATA/SAS server models.
Interfaces	Parallel	0
	Serial	1
	Pointing Device (Mouse, PS2)	1
	Graphics	1
	Keyboard (PS2)	1
	USB 2.0 Ports	8 (4 Rear, 2 Front, and 2 Internal) <b>NOTE:</b> 1 Dedicated USB port available for internal USB tape connectivity <b>NOTE:</b> Please see the following URL for additional information regarding USB support <a href="http://h18004.www1.hp.com/products/servers/platforms/usb-support.html">http://h18004.www1.hp.com/products/servers/platforms/usb-support.html</a>
	Network RJ-45 (Ethernet)	1 (10/100/1000 bits/s)
Remote Management	HP ProLiant Onboard Administrator (powered by the HP Integrated Lights-Out 100i Baseboard Management Controller)	
Graphics	32MB shared supporting 1600x1200x16M resolution	

### Standard Features

**Form Factor** Tower (5U)  
**NOTE:** Rack mounting available via HP Tower to Rack Conversion Tray, Universal Kit. Please see the options section in this QuickSpecs.

---

**Industry Standard Compliance** ACPI V2.0 compliant  
PCI 2.3 compliant  
PXE Support  
WOL Support  
Microsoft® Logo certifications

---

**Manageability** HP ProLiant Onboard Administrator (powered by the HP Integrated Lights-Out 100i Baseboard Management Controller) with optional LO100i Advanced Licenses for Virtual KVM and Virtual Media.  
Embedded IPMI standard reporting  
Easy Set-up CD and ISO Image Web downloads  
Array Configuration Utility (ACU)  
Array Diagnostics Utility (ADU)  
HP Insight Diagnostics  
HP Insight Management Agents and Insight Management Providers for Systems Insight Manager (SIM) Integration

---

**Security** Power-on password  
Setup password  
Diskette boot control  
Secure Sockets Layer (SSL)  
Secure Shell (SSH)

---

**Security - Trusted Platform Module** The TPM (Trusted Platform Module) is a microcontroller chip that can securely store artifacts used to authenticate the server platform. These artifacts can include passwords, certificates and encryption keys. Windows® BitLocker™ Drive Encryption (BitLocker) is a data protection feature available in Windows Server® 2008. BitLocker leverages the enhanced security capabilities of a Trusted Platform Module (TPM) version 1.2. The TPM works with BitLocker to help protect user data and to ensure that a server running Windows Server 2008 has not been tampered with while the system was offline.

**NOTE:** For more information about TPM, including a white paper, go to: [www.hp.com/go/TPM](http://www.hp.com/go/TPM)  
**NOTE:** ProLiant OS pre-installed units will come with the partition required for TPM deployment.  
**NOTE:** The TPM key is unique to every TPM deployed server and must be retained. Misplacing or losing the key could result in data loss.

---

**Server Power Cord** One Lowline NEMA power cord

---

### Standard Features

#### Power Supply

Standard: 460W Non-Hot Plug, Non redundant Power Supply (70% efficiency)

Optional: 750W CS HE Gold Hot Plug Power Supply (92% efficiency)

**NOTE:** The installation of the optional 750W Redundant Power Supply requires a HP Redundant Power Supply Enablement Kit (P/N 508544-B21).

**NOTE:** Two (2) 750W Redundant Power Supply units and one (1) RPS enablement kit (P/N 508544-B21) are required to achieve redundancy.

**NOTE:** The 2nd hot plug hard disk drive cage requires the purchase of 750W Redundant Power Supply, Redundant Power Supply Enablement Kit and HP Smart Array P410 Controller (if not already part of the configuration)

#### System Fans

Two (2) - Non-hot plug, Non-redundant system fans

Optional redundant system fan

#### Embedded Systems Management

##### HP ProLiant Onboard Administrator and LO100i Advanced

HP ProLiant Onboard Administrator (powered by LO100i Lights-Out 100 Baseboard Management Controller) with Optional LO100i Advanced Licenses for Virtual KVM and Virtual Media.

##### Features:

- Embedded IPMI standard reporting
- System event log access
- Remote Serial console (serial redirection)
- Browser, Telnet access
- SMASH-CLP compliant
- IPMI 2.0 compliant
- Secure Socket Layer Encryption
- Secure Shell Encryption
- Virtual media (Floppy, CD, USB 2.0) with Advanced License
- Virtual KVM with Advanced License

**NOTE:** For more information, please refer to the QuickSpecs for the LO100i found at: [www.hp.com/go/lo100](http://www.hp.com/go/lo100)

#### Operating Systems and Virtualization Software Support for ProLiant Servers

Microsoft Windows Server Hyper V

Red Hat Enterprise Linux (RHEL)

SUSE Linux Enterprise Server (SLES)

HP Citrix XenServer

**NOTE:** For more information on HP's Certified and Supported ProLiant Servers for OS and Virtualization Software and latest listing of software drivers available for your server, please visit our Support Matrix at: <http://www.hp.com/go/supportos> and our driver download page <http://www.hp.com/support/ML150G6>



### Standard Features

#### Factory Express Portfolio for Servers and Storage

HP Factory Express offers configuration, customization, integration and deployment services for HP servers and storage products. Customers can choose how their factory solutions are built, tested, integrated, shipped and deployed.

Factory Express offers service packages for simple configuration, racking, installation, complex configuration and design services as well as individual factory services, such as image loading, asset tagging and custom packaging to meet customer needs. HP products supported through Factory Express include a wide array of servers and storage: HP Integrity, HP ProLiant & HP ProLiant Server Blades, HP BladeSystem, HP 9000 servers as well as the MSAxxx, VA7xxx, EVA, XP, rackable tape libraries and configurable network switches.

For more information on Factory Express services on your specific server model please contact your sales representative or go to: <http://www.hp.com/go/factory-express>.

#### HP Enterprise Configurator

The HP eConfigure Enterprise Configurator now provides factory default racking for our HP hardware portfolio. This approach is aligned with our strategic direction to meet the needs and expectations of our valued customers. If you require "custom" rack configuration, please contact HP's Customer Business Center or an Authorized Partner for assistance.

#### Service and Support

HP Care Pack Services provide total care and support expertise with committed response designed to meet your IT and business needs.

HP Care Pack services include coverage for the HP branded hardware options qualified for the server that are purchased at the same time or afterward and internal to the enclosure. It also includes the 22" and smaller external monitors and tower UPS options up to 3kVA. These items will be covered at the same service level and for the same coverage period as the server. Coverage of UPS Battery is not included and standard warranty terms & conditions apply. For servers or storage systems installed within a rack, service also covers all HP qualified rack options installed within the same rack.

To fully capitalize on your HP ProLiant servers' capabilities requires a service partner who thoroughly understands your server technology and systems environment. HP Services, an industry leader in provision of multi vender support solutions provides a range of support services designed to meet the varying needs of business. Whether an SMB or large global corporation HP has a ProLiant server support offer to help you speedily deploy and maximize system uptime.

**Recommended Service** - Simplify ProLiant solution implementation, maintenance and management.

- **Support Service** - 3 Year, 9x5 Next Business Day coverage, excluding HP holidays only
- **Deployment Service** - Hardware Installation only

**Enhanced Service** - Optimize service level to increase IT performance and availability

- **Support Service** - 3 Year 13x5 Same Business Day, 4-Hour response coverage
- **Deployment Service** - Installation and Start-up only

Installation & Start-Up of a ProLiant server and Microsoft or Linux O/S per the Customer Description and/or Data Sheet. To be delivered on a scheduled basis 8am-5pm, M-F, excl. HP holidays.

For a complete listing of service offerings and information visit:

<http://www.hp.com/services/proliantservices>

## Standard Features

<http://www.hp.com/go/proliant/carepack>

### Models

#### SAS/SATA Hot Plug Models

**NOTE:** The following Performance and Base hot -plug models can support up to 4 hard drives only. Support for more than 4 hard drives (maximum 8 hard drive support on this server) require the purchase of one (1) Hot-plug hard drive cage (P/N: 487737-B21), one (1) HP 750W CS HE Power Supply (P/N: 512327-B21), and one (1) Redundant Power Supply Enablement Kit (P/N: 508544-B21).

<b>Performance Model</b>	<b>Processor</b>	Intel® Xeon® Processor E5520 (2.26 GHz, 8MB L3 Cache, 80W, DDR3-1066, HT, Turbo 1/1/2/2)
<b>HP ML150G6 E5520</b> 2.26 GHz, 4GB, SAS/SATA Performance server (1P) 466133-001	<b>Cache Memory</b>	Integrated 1x 8 MB L3 cache
	<b>Memory</b>	4 GB (2 x 2 GB) PC3-10600E Unbuffered Advanced ECC memory
	<b>Network Controller</b>	Embedded HP NC107i PCI Express Gigabit Server Adapter
	<b>Storage Controller</b>	HP Smart Array P410 controller w/256MB cache Raid Controller (RAID 0/1/1+0/5/5+0)
	<b>Hard Drive</b>	None ships standard
	<b>Internal Storage</b>	SAS: 4.0TB (4 x 1TB 3.5") Maximum SATA: 4.0TB (4 x 1TB 3.5") Maximum
	<b>Power Supply</b>	460W Non-Hot Plug, Non-Redundant Power Supply (70% efficiency)
	<b>Optical Drive</b>	HP Half-Height SATA DVD-ROM Optical Drive
	<b>Form Factor</b>	5U Tower

---

<b>Base Model</b>	<b>Processor</b>	Intel® Xeon® Processor E5504 (2.00 GHz, 4MB L3 Cache, 80W, DDR3-800)
<b>HP ML150G6 E5504</b> 2.0GHz, 2GB, SAS/SATA Base server (1P) 466132-001	<b>Cache Memory</b>	Integrated 1 x 4 MB L3 cache
	<b>Memory</b>	2 GB (1 x 2GB) PC3-10600E Unbuffered Advanced ECC memory
	<b>Network Controller</b>	Embedded HP NC107i PCI Express Gigabit Server Adapter
	<b>Storage Controller</b>	HP Smart Array P410 controller w/ Zero Memory cache Raid Controller (RAID 0,1, 0+1)
	<b>Hard Drive</b>	None ships standard
	<b>Internal Storage</b>	SAS: 4.0TB (4 x 1TB 3.5") Maximum SATA: 4.0TB (4 x 1TB 3.5") Maximum
	<b>Power Supply</b>	460W Non-Hot Plug, Non-Redundant Power Supply (70% efficiency)
	<b>Optical Drive</b>	HP Half-Height SATA DVD-ROM Optical Drive
	<b>Form Factor</b>	5U Tower

---

### Models

#### SATA Non-Hot Plug Models

**NOTE:** The following Entry non-hot plug model can support up to 4 hard drives only. Support for more than 4 hard drives (maximum 8 hard drive support on this server) require the purchase of one (1) Hot-plug hard drive cage (P/N: 487737-B21), one (1) HP 750W CS HE Power Supply (P/N: 512327-B21), one (1) Redundant Power Supply Enablement Kit (P/N: 508544-B21) and HP Smart Array P410 Controller with HP NHP Internal SAS/SATA 4 Port Cable Kit (487734-B21).

**NOTE:** A hot-plug hard drive cage can be installed into a non-hot plug server by ordering one (1) hot-plug hard disk drive cage option kit (P/N 487737-B21) and a Smart Array P410 controller.

Entry Model	Processor(s)	Intel® Xeon® Processor E5502 (1.86 GHz, 4MB L3 Cache, 80W, DDR3-800)
HP ML150G6 E5502 1.86 GHz DC, 2GB NHP SATA (1P) 466131-001	Cache Memory	Integrated 1 x 4 MB L3 cache
	Memory	2 GB (1 x 2GB) PC3-10600E Unbuffered Advanced ECC memory
	Network Controller	Embedded HP NC107i PCI Express Gigabit Server Adapter
	Storage Controller	HP Smart Array B110i SATA RAID Controller (RAID 0,1,10)
	Hard Drive	One 160GB Non-Hot Plug SATA HDD
	Internal Storage	SATA: 4.0TB (4 x 1 TB 3.5") Maximum
	Power Supply	460W Non-Hot Plug, Non-Redundant Power Supply (70% efficiency)
	Optical Drive	HP Half-Height SATA DVD-ROM Optical Drive
	Form Factor	5U Tower

### Smart Buys

The ProLiant Smart Buy program offers a collection of promotional server and option products that are configured with SMB in mind, offered at discounted prices, and positioned for quick delivery. Smart Buy server offers are available for a limited time only.

<b>HP S-Buy ML150G6 E5504 250GB 2G 518174-005</b>	<b>Processor(s)</b>	(1) Intel® Xeon® Processor E5504 (2.00 GHz, 80W, DDR3-800)
	<b>Cache Memory</b>	4MB Level 3 Cache
	<b>Memory</b>	HP 2GB UDIMM (1x2GB) 2Rx8 PC3-10600E-9 Kit
	<b>Network Controller</b>	Embedded HP NC107i PCI Express Gigabit Server Adapter
	<b>Storage Controller</b>	HP Smart Array B110i SATA RAID Controller (RAID 0,1,10)
	<b>Hard Drive</b>	One (1) HP 250GB SATA 7.2K NHP 3.5" MDL HDD
	<b>Internal Storage</b>	SATA: 4.0TB (4 x 1 TB) Maximum
	<b>Power Supply</b>	460W Non-Hot Plug Power Supply
	<b>Optical Drive</b>	HP Half-Height SATA DVD-ROM Drive
	<b>Form Factor</b>	Tower (5U)
<hr/>		
<b>HP S-Buy ML150G6 E5506 250GB 2G 518175-005</b>	<b>Processor(s)</b>	(1) Intel® Xeon® Processor E5506 (2.13 GHz, 80W, DDR3-800)
	<b>Cache Memory</b>	4MB Level 3 Cache
	<b>Memory</b>	HP 2GB UDIMM (1x2GB) 2Rx8 PC3-10600E-9 Kit
	<b>Network Controller</b>	Embedded HP NC107i PCI Express Gigabit Server Adapter
	<b>Storage Controller</b>	HP Smart Array B110i SATA RAID Controller (RAID 0,1,10)
	<b>Hard Drive</b>	HP 250GB SATA 7.2K NHP 3.5" MDL HDD
	<b>Internal Storage</b>	SATA: 4.0TB (4 x 1 TB) Maximum
	<b>Power Supply</b>	460W Non-Hot Plug Power Supply
	<b>Optical Drive</b>	HP Half-Height SATA DVD-ROM Drive
	<b>Form Factor</b>	Tower (5U)
<hr/>		
<b>HP S-Buy ML150G6 E5506 2x250GB 4G 518176-005</b>	<b>Processor(s)</b>	(1) Intel® Xeon® Processor E5506 (2.13 GHz, 80W, DDR3-800)
	<b>Cache Memory</b>	4MB Level 3 Cache
	<b>Memory</b>	4GB UDIMM (2x2GB) (2x HP 2GB 2Rx8) PC3-10600E-9 Kit
	<b>Network Controller</b>	Embedded HP NC107i PCI Express Gigabit Server Adapter
	<b>Storage Controller</b>	HP Smart Array B110i SATA RAID Controller (RAID 0,1,10)
	<b>Hard Drive</b>	(2) HP 250GB 3G SATA 7.2K NHP 3.5" MDL HDD, supports up to 4LFF HDD
	<b>Internal Storage</b>	SATA: 4.0TB (4 x 1 TB) Maximum
	<b>Power Supply</b>	460W Non-Hot Plug Power Supply
	<b>Optical Drive</b>	HP Half-Height SATA DVD-ROM Drive
	<b>Form Factor</b>	Tower (5U)
	<b>Operating System</b>	Microsoft Small Business Server 2008

### Configuration Information - Factory Integrated Models

**NOTE:** This section lists some of the steps required to configure a Factory Integrated Model. To ensure only valid configurations are ordered, HP recommends the use of an HP approved configurator. Contact your local sales representative for information on CTO product offerings and requirements.

**NOTE:** HP does not allow factory integration of options into standard models listed above. Configure-to-order servers must start with a CTO Chassis.

#### Step 1: Base Configuration

Models	HP ProLiant ML150 G6 CTO Chassis	487912-B21
	<b>Factory Integrated Models ship with:</b>	
	Embedded NC107i	
	Embedded B110i SATA RAID	
	PCA	
	Easy Set up CD	
	Keyboard and Mouse	
	Power Cord	
	Tower 5U Form Factor	

#### Step 2: Choose Required Options (Select only one option from each category unless otherwise noted)

Processors	<b>Quad-Core Processor</b>	
	Intel® Xeon® Processor E5540 (2.53 GHz, 8MB L3 Cache, 80W, DDR3-1066, HT, Turbo 1/1/2/2), FIO	507849-L21
	Intel® Xeon® Processor E5530 (2.40 GHz, 8MB L3 Cache, 80W, DDR3-1066, HT, Turbo 1/1/2/2), FIO	507848-L21
	Intel® Xeon® Processor E5520 (2.26 GHz, 8MB L3 Cache, 80W, DDR3-1066, HT, Turbo 1/1/2/2), FIO	507722-L21
	Intel® Xeon® Processor E5506 (2.13 GHz, 4MB L3 Cache, 80W, DDR3-800), FIO	507847-L21
	Intel® Xeon® Processor E5504 (2.00 GHz, 4MB L3 Cache, 80W, DDR3-800), FIO	507721-L21
	<b>Dual-Core Processor</b>	
	Intel® Xeon® Processor E5502 (1.86 GHz, 4MB L3 Cache, 80W, DDR3-800), FIO	507720-L21

### Configuration Information - Factory Integrated Models

<b>Memory</b>	<p><b>Registered DIMMs (RDIMMs)</b></p> <p>HP 2GB 2Rx8 PC3-10600R-9 Kit 500656-B21</p> <p>HP 4GB 2Rx4 PC3-10600R-9 Kit 500658-B21</p> <p>HP 4GB 4Rx8 PC3-8500R-7 LP Kit 500660-B21</p> <p><b>Unbuffered DIMMs (UDIMMs)</b></p> <p>HP 1GB 1Rx8 PC3-10600E-9 Kit 500668-B21</p> <p>HP 2GB 2Rx8 PC3-10600E-9 Kit 500670-B21</p> <p><b>NOTE:</b> All DDR3 memory option kits consist of one DIMM per kit. For detailed memory configuration rules and guidelines, please use the Online DDR3 Memory Configuration Tool: <a href="http://www.hp.com/go/ddr3memory-configurator">www.hp.com/go/ddr3memory-configurator</a>.</p> <p><b>NOTE:</b> Kits described as LP include Low Power DIMMs. For more information on ProLiant Energy Efficient Features, see: <a href="http://www.hp.com/go/proliant-energy-efficient">www.hp.com/go/proliant-energy-efficient</a></p>
<b>Optical Drives</b>	<p>HP Half-Height SATA DVD-ROM Optical Drive 447326-B21</p> <p>HP Half-Height SATA DVD RW Optical Drive 447328-B21</p>
<b>Hard Drive Cage</b>	<p>NHP HDD model: Non-hot plug hard disk drive cage FIO kit 500448-B21</p> <p><b>NOTE:</b> If non-hot plug drive cage is selected, then at least one non-hot plug SATA or SAS hard drive must be selected.</p> <p><b>NOTE:</b> Non-hot plug drive cage only supports non-hot plug drives.</p> <p>HP HDD model: Hot-plug hard disk drive cage option FIO kit 487737-B21</p> <p><b>NOTE:</b> Hot-plug drive cage only supports hot-plug drives.</p> <p><b>NOTE:</b> Support for more than 4 hard drives requires the purchase of one (1) Hot-plug hard drive cage (P/N: 487737-B21), one (1) HP 750W CS HE Power Supply (P/N: 512327-B21), one (1) Redundant Power Supply Enablement Kit (P/N: 508544-B21) and HP Smart Array P410 Controller (if not already part of the configuration)</p> <p><b>NOTE:</b> HP NHP Internal SAS/SATA 4 Port Cable Kit (487734-B21) is required when adding Smart Array P410 Controller to a non-hot plug SATA server model.</p>
<b>Hard Drives</b>	<p><b>NOTE:</b> The components of a storage subsystem (e.g. the drive, the HBA/controller, and the server backplane) should operate at the same data transfer rate or the system bandwidth will be negotiated down to an acceptable level for all components.</p> <p><b>NOTE:</b> Mixing SAS and SATA hard drives is allowed. However, only SAS hard drives will be used for RAID setting.</p> <p><b>SAS Non-Hot Plug 3.5" Enterprise (ENT) Drives</b></p> <p>HP 400GB 3G 10K 3.5" DP SAS ENT HDD 508232-B21</p> <p>HP 450GB 3G 15K 3.5" DP SAS ENT HDD 454234-B21</p> <p>HP 300GB 3G 15K 3.5" DP SAS ENT HDD 417950-B21</p> <p>HP 146GB 3G 15K 3.5" DP SAS ENT HDD 417855-B21</p> <p><b>NOTE:</b> SAS hard drives require a SAS HBA or Smart Array Controller.</p> <p><b>SATA Non-Hot Plug 3.5" Entry (ETY) Drives</b></p> <p>HP 160GB 3G SATA 7.2K NHP 3.5" ETY HDD 458947-B21</p> <p><b>SATA Non-Hot Plug 3.5" Midline (MDL) Drives</b></p> <p>HP 750GB 3G SATA 7.2K NHP 3.5" MDL HDD 462595-B21</p>



Configuration Information - Factory Integrated Models

HP 500GB 3G SATA 7.2K NHP 3.5" MDL HDD	458941-B21
HP 250GB 3G SATA 7.2K NHP 3.5" MDL HDD	458939-B21

**Power Supplies**

**Power Supplies**

460W Non-Hot Plug, Non Redundant Power Supply, FIO	500447-B21
750W CS HE Gold Hot Plug Power Supply	512327-B21

**NOTE:** 750W RPS requires one (1) RPS Enablement Kit 5U G6 (P/N 508544-B21)..

**NOTE:** Two (2) 750W PSUs and one (1) RPS enablement kit are required to achieve redundancy.

**NOTE:** The 2nd hot plug hard disk drive cage requires the purchase of 750W Redundant Power Supply, Redundant Power Supply Enablement Kit and HP Smart Array P410 Controller (if not already part of the configuration).

**Power Options**

HP Redundant Power Supply Enablement Kit	508544-B21
--	------------

**Step 3: Choose Additional Factory Integratable Options (Select only one option from each category unless otherwise noted)**

**Storage Controllers**

**SAS Controller**

**Smart Array P212 Controller**

HP Smart Array P212/Zero Memory (ZM) Controller	462828-B21
---	------------

HP Smart Array P212/256 MB Controller	462834-B21
---------------------------------------	------------

HP P212 /256 MB FIO SA Cntrlr w/Battery	491191-B21
---	------------

**Smart Array P410 Controller**

HP Smart Array P410/256 MB Controller	462862-B21
---------------------------------------	------------

HP Smart Array P410/Zero Memory ZM FIO Controller	462860-B21
---	------------

HP Smart Array P410/256 MB FIO Cntrlr w/Battery	491195-B21
---	------------

HP Smart Array P410/512 MB with BBWC Controller	462864-B21
---	------------

**NOTE:** To support RAID 5, HP P410 requires at least 256MB Cache

**NOTE:** To support RAID 6, HP P410 requires at least 256MB Cache + Battery + SAAP or 512MB BBWC + Smart Array Advanced Pack (SAAP) license key.

Smart Array P411 Controller.

**Smart Array P411 Controller**

HP Smart Array P411/256 MB Controller	462830-B21
---------------------------------------	------------

HP Smart Array P411/256 MB FIO Controller w/Battery	491193-B21
---	------------

HP Smart Array P411/512 MB BBWC Controller	462832-B21
--	------------

**Optional Upgrades**

256 MB Cache Upgrade	462968-B21
----------------------	------------

**NOTE:** Supported HP Smart Array P212 Controller only.

512MB BBWC	462967-B21
------------	------------

**NOTE:** Supported on HP Smart Array P410 Controller and HP Smart Array P411 Controller only.





### Configuration Information - Factory Integrated Models

Battery Kit upgrade	462969-B21
<b>NOTE:</b> To enable BBWC on the 256MB cache.	
<b>NOTE:</b> Supported on HP Smart Array P212 Controller, HP Smart Array P410 Controller, and HP Smart Array P411 Controller only.	
HP Smart Array Advanced Pack No Media 1-Server license including 1yr 24x7 Technical Support	516471-B21
<b>NOTE:</b> Smart Array Advanced Pack (SAAP) is a license key to activate RAID 6 and the advance feature sets provided by the controller.	
This part number (516471-B21) can be used to purchase a single SAAP license or to order multiple licenses with a single activation key. Customers will receive a license entitlement certificate via e-mail. The license entitlement certificate must be redeemed online or via fax in order to obtain the license activation key(s). Include one year of 24x7 HP Software Technical Support Services.	
SCSI HBA	
HP SC11Xe U320 PCI-E Host Bus Adapter	412911-B21
<b>NOTE:</b> Recommended HBA for SCSI tape drive connection.	

---

### Step 4: Choose Additional Options for Factory Integration

**NOTE:** For additional options, please refer to the "Core Options" and "Additional Options" sections below.

## Core Options

**NOTE:** Some options may not be available for factory integration. Please contact an HP sales representative for additional information.

<b>Processors</b>	<p><b>Quad-Core Processors</b></p> <p>Intel® Xeon® Processor E5540 (2.53 GHz, 8MB L3 Cache, 80W, DDR3-1066, HT, Turbo 1/1/2/2) 507849-B21</p> <p>Intel® Xeon® Processor E5530 (2.40 GHz, 8MB L3 Cache, 80W, DDR3-1066, HT, Turbo 1/1/2/2) 507848-B21</p> <p>Intel® Xeon® Processor E5520 (2.26 GHz, 8MB L3 Cache, 80W, DDR3-1066, HT, Turbo 1/1/2/2) 507722-B21</p> <p>Intel® Xeon® Processor E5506 (2.13 GHz, 4MB L3 Cache, 80W, DDR3-800) 507847-B21</p> <p>Intel® Xeon® Processor E5504 (2.00 GHz, 4MB L3 Cache, 80W, DDR3-800) 507721-B21</p> <p><b>Dual-Core Processor</b></p> <p>Intel® Xeon® Processor E5502 (1.86 GHz, 4MB L3 Cache, 80W, DDR3-800) 507720-B21</p>
-------------------	--

<b>Memory</b>	<p><b>Registered DIMMs (RDIMMs)</b></p> <p>HP 2GB 2Rx8 PC3-10600R-9 Kit 500656-B21</p> <p>HP 4GB 2Rx4 PC3-10600R-9 Kit 500658-B21</p> <p>HP 4GB 4Rx8 PC3-8500R-7 LP Kit 500660-B21</p> <p><b>Unbuffered DIMMs (UDIMMs)</b></p> <p>HP 1GB 1Rx8 PC3-10600E-9 Kit 500668-B21</p> <p>HP 2GB 2Rx8 PC3-10600E-9 Kit 500670-B21</p>
---------------	--

**NOTE:** All DDR3 memory option kits consist of one DIMM per kit. For detailed memory configuration rules and guidelines, please use the Online DDR3 Memory Configuration Tool: [www.hp.com/go/ddr3memory-configurator](http://www.hp.com/go/ddr3memory-configurator).

**NOTE:** Kits described as LP include Low Power DIMMs. For more information on ProLiant Energy Efficient Features, see: [www.hp.com/go/proliant-energy-efficient](http://www.hp.com/go/proliant-energy-efficient)

<b>Optical Drives</b>	<p>HP Half-Height SATA DVD-ROM Optical Drive 447326-B21</p> <p>HP Half-Height SATA DVD RW Optical Drive 447328-B21</p>
-----------------------	--

<b>Hard Drive Cage</b>	<p>Hot-plug hard drive disk cage option kit 487737-B21</p> <p><b>NOTE:</b> A 2nd hot-plug hard disk drive cage option kit is needed to support more than 4 hard drives.</p>
------------------------	---

<b>Hard Drives</b>	<p><b>NOTE:</b> The components of a storage subsystem (e.g. the drive, the HBA/controller, and the server backplane) should operate at the same data transfer rate or the system bandwidth will be negotiated down to an acceptable level for all components.</p> <p><b>NOTE:</b> Transfer rates of drives are dependent on the maximum transfer rate supported by the HBA or Controller. Refer to the HBA or Controller technical specifications for details.</p> <p><b>NOTE:</b> Mixing SAS and SATA hard drives is allowed. However, only SAS hard drives will be used for RAID setting.</p>
--------------------	---



### Core Options

#### SATA Hot Plug 3.5" Midline (MDL) Drives

HP 1TB 3G SATA 7.2K 3.5" MDL HDD	454146-B21
HP 750GB 3G SATA 7.2K 3.5" MDL HDD	458930-B21
HP 500GB 3G SATA 7.2K 3.5" MDL HDD	458928-B21
HP 250GB 3G SATA 7.2K 3.5" MDL HDD	458926-B21

#### SATA Non-Hot Plug 3.5" Midline (MDL) Drives

HP 750GB 3G SATA 7.2K NHP 3.5" MDL HDD	462595-B21
HP 500GB 3G SATA 7.2K NHP 3.5" MDL HDD	458941-B21
HP 250GB 3G SATA 7.2K NHP 3.5" MDL HDD	458939-B21

#### SATA Non-Hot Plug 3.5" Entry (ETY) Drives

HP 160GB 3G SATA 7.2K NHP 3.5" ETY HDD	458947-B21
--	------------

#### SATA Hot Plug 3.5" Entry (ETY) Drives

HP 160GB 3G SATA 7.2K 3.5" ETY HDD	458945-B21
------------------------------------	------------

**NOTE:** SATA drives have a 1 year warranty. Please see the [QuickSpecs for Technical Specifications and additional information:](#)

[http://h18000.www1.hp.com/products/quickspecs/13021\\_na/13021\\_na.html](http://h18000.www1.hp.com/products/quickspecs/13021_na/13021_na.html)

**NOTE:** The previous generations of 1.5G SATA non-hot plug hard drives are supported. These drives can be purchased as an option. However, they can no longer be configurable.

**NOTE:** SATA drives have a 1 year warranty. Please see the [QuickSpecs for Technical Specifications and additional information:](#)

[http://h18000.www1.hp.com/products/quickspecs/11940\\_na/11940\\_na.html](http://h18000.www1.hp.com/products/quickspecs/11940_na/11940_na.html)

**NOTE:** SATA drives have a 1 year warranty. Please see the [QuickSpecs for Technical Specifications and additional information:](#)

[http://h18000.www1.hp.com/products/quickspecs/12244\\_na/12244\\_na.html](http://h18000.www1.hp.com/products/quickspecs/12244_na/12244_na.html)

#### SAS Non-Hot Plug 3.5" Enterprise (ENT) Drives

HP 450GB 3G NHP 15K 3.5" DP SAS ENT HDD	454234-B21
HP 400GB 3G NHP 10K 3.5" DP SAS ENT HDD	508232-B21
HP 300GB 3G NHP 15K 3.5" DP SAS ENT HDD	417950-B21
HP 146GB 3G NHP 15K 3.5" DP SAS ENT HDD	417855-B21

#### SAS Hot Plug 3.5" Enterprise (ENT) Drives

HP 400GB 3G SAS 10K 3.5" DP HDD	459508-B21
HP 450GB 3G SAS 15K 3.5" DP HDD	454232-B21
HP 300GB 3G SAS 15K 3.5" DP HDD	416127-B21
HP 146GB 3G SAS 15K 3.5" DP HDD	384854-B21
HP 72GB 3G SAS 15K 3.5" DP HDD	384852-B21

**NOTE:** SAS hard drives require a SAS HBA or Smart Array Controller.

#### SAS Hot Plug 3.5" Midline (MDL) Drives

HP 1TB 7.2K 3.5" DP SAS MDL HDD	461137-B21
HP 750GB 7.2K 3.5" DP SAS MDL HDD	461135-B21

**NOTE:** Please see the [QuickSpecs for Technical Specifications and additional information:](#)

[http://h18000.www1.hp.com/products/quickspecs/12244\\_na/12244\\_na.html](http://h18000.www1.hp.com/products/quickspecs/12244_na/12244_na.html)

### Core Options

---

#### Communications

#### Communications

HP NC112T PCIe Gigabit Server Adapter	503746-B21
HP NC360T PCI Express Dual Port Gigabit Server Adapter	412648-B21
HP NC364T PCI Express Quad Port Gigabit Server Adapter	435508-B21
HP NC373F PCI Express Multifunction Gigabit Server Adapter	394793-B21
HP NC373T PCI Express Multifunction Gigabit Server Adapter	394791-B21
HP NC382T PCIe Dual Port Multifunction Gigabit Server Adapter	458492-B21

**NOTE:** Please see the QuickSpecs for Technical Specifications and additional information: [www.hp.com/go/ProLiantNICs](http://www.hp.com/go/ProLiantNICs)

---

#### Power Supplies

#### Power Supplies

750W CS HE Gold Hot Plug Power Supply	512327-B21
---------------------------------------	------------

**NOTE:** 750W RPS requires a Redundant Power Supply Enablement Kit 5U G6 (P/N 508544-B21). Two (1) 750W PSUs and one (1) RPS enablement kit are required to achieve redundancy.

#### Power Options

HP Redundant Power Supply Enablement Kit	508544-B21
HP 5U G6 Redundant fan kit	513927-B21

**NOTE:** Option Kits contain optional power supply, an IEC power cable and PDU IEC cables.

### Additional Options

<b>Remote Management</b>	HP LO100i Advanced Pack, No Media 1-Server License including 1 year of 24x7 Technical Support and Updates <b>NOTE:</b> Other license types available, please check LO100i Advanced QuickSpecs at: <a href="http://www.hp.com/go/lo100">http://www.hp.com/go/lo100</a> for more details.	530521-B21
<b>Port Options</b>	HP NHP Internal SAS/SATA 4 Port Cable Kit <b>NOTE:</b> This cable is required when adding Smart Array P410 Controller on Non-Hot Plug SATA/SAS server models.	487734-B21
<b>Security</b>	HP Trusted Platform Module Option Kit	488069-B21
<b>Storage Controllers</b>	<b>SAS Controller</b> <b>Smart Array P212 Controller</b> HP Smart Array P212/Zero Memory Controller 462828-B21 HP Smart Array P212/256 MB Controller 462834-B21 <b>Smart Array P410 Controller</b> HP Smart Array P410/256 MB Controller 462862-B21 HP Smart Array P410/512 MB with BBWC Controller 462864-B21 <b>NOTE:</b> To support RAID 5, HP P410 requires at least 256 MB Cache. <b>NOTE:</b> To support RAID 6, HP P410 requires at least 256 MB Cache + Battery + SAAP or 512MB BBWC + SAAP. <b>Smart Array P411 Controller</b> HP Smart Array P411/256 MB Controller 462830-B21 HP Smart Array P411/512 MB BBWC Controller 462832-B21 <b>Optional Upgrades</b> HP 256 MB P-Series Cache Upgrade 462968-B21 <b>NOTE:</b> Supported on HP Smart Array P212 Controller only. 512MB BBWC 462967-B21 <b>NOTE:</b> Supported on HP Smart Array P410 Controller and HP Smart Array P411 Controller only. Battery Kit upgrade 462969-B21 <b>NOTE:</b> To enable BBWC on the 256MB cache. <b>NOTE:</b> Supported on HP Smart Array P212 Controller, HP Smart Array P410 Controller, and HP Smart Array P411 Controller only. HP NHP Internal SAS/SATA 4 Port Cable Kit 487734-B21 <b>NOTE:</b> NHP Internal SAS/SATA 4 Port Cable (487734-B21) is required when adding Smart Array P410 Controller on Non-Hot Plug SATA/SAS server models. HP Smart Array Advanced Pack No Media 1-Server license including 1yr 24x7 Technical Support 516471-B21 <b>NOTE:</b> Smart Array Advanced Pack (SAAP) is a license key to activate RAID 6 and the advance feature sets provided by the controller. This part number (516471-B21) can be used to purchase a single SAAP license or to order multiple licenses with a single activation key. Customers will receive a license	

### Additional Options

entitlement certificate via e-mail. The license entitlement certificate must be redeemed online or via fax in order to obtain the license activation key(s). Include one year of 24x7 HP Software Technical Support Services.

**NOTE:** Please see the following QuickSpecs for Technical Specifications and additional information:

[http://h18000.www1.hp.com/products/quickspecs/13203\\_na/13203\\_na.html](http://h18000.www1.hp.com/products/quickspecs/13203_na/13203_na.html)  
(Smart Array P212 Controller)

[http://h18000.www1.hp.com/products/quickspecs/13201\\_na/13201\\_na.html](http://h18000.www1.hp.com/products/quickspecs/13201_na/13201_na.html)  
(Smart Array P410 Controller)

[http://h18000.www1.hp.com/products/quickspecs/13202\\_na/13202\\_na.html](http://h18000.www1.hp.com/products/quickspecs/13202_na/13202_na.html)  
(Smart Array P411 Controller)

#### SCSI HBA

HP SC11Xe U320 PCI-E Host Bus Adapter

412911-B21

**NOTE:** Please see the following QuickSpecs for Technical Specifications and additional information:

[http://h18000.www1.hp.com/products/quickspecs/12566\\_na/12566\\_na.html](http://h18000.www1.hp.com/products/quickspecs/12566_na/12566_na.html)  
(SC11Xe HBA)

---

### Tape Storage

**NOTE:** Installation of SCSI internal tape drives in a ML150 model requires SCSI controller kit (PN 412911-B21).

**NOTE:** For complete listing of tape drive offerings see:

<http://www.hp.com/products1/storage/compatibility/tapebackup/ISS/index.html>

#### Tape Drives

##### DAT USB Tape Drives

HP StorageWorks DAT 40 USB Internal Tape Drive (Carbonite)

DW022A

HP StorageWorks DAT 72 USB Internal Tape Drive (Carbonite)

DW026A

HP StorageWorks DAT 160 USB Internal Drive

Q1580A

##### LTO Ultrium Tape Drives

HP StorageWorks LTO-2 Ultrium 448 SAS Internal Tape Drive

DW085A

HP StorageWorks LTO-3 Ultrium 920 SAS Internal Tape Drive

EH847A

---

### Additional Options

Disk-Based Backup	<b>RDX Removable Disk Backup</b>	
	HP RDX160 Internal Removable Disk Backup System	AJ765A
	<b>NOTE:</b> 160GB of Disk Storage.	
	HP RDX320 Internal Removable Disk Backup System	AJ767A
	<b>NOTE:</b> 320GB of Disk Storage.	
Disk-Based Backup	HP RDX500 Internal Removable Disk Backup System	AJ934A
	<b>NOTE:</b> 500GB of Disk Storage.	
	<b>NOTE:</b> Please see the QuickSpecs for Technical Specifications and additional information:	
	<a href="http://h18000.www1.hp.com/products/quickspecs/13036_na/13036_na.html">http://h18000.www1.hp.com/products/quickspecs/13036_na/13036_na.html</a>	
D2D Backup	<b>D2D Backup</b>	
	HP StorageWorks D2D2504i Backup System	EJ002A
	HP StorageWorks D2D120 Backup System with Data Protector Express Software Kit	EH924A
	<b>NOTE:</b> 2TB of Disk Storage.	
	HP StorageWorks D2D130 Backup System with LTO-3 Ultrium 920 SAS Tape Drive	EH952A
<b>NOTE:</b> 3TB of Disk Storage.		
<b>NOTE:</b> Please see the HP D2D Backup Systems QuickSpecs for additional information: <a href="http://www.hp.com/go/d2d">http://www.hp.com/go/d2d</a> .		
Uninterruptible Power Systems	<b>HP Tower UPS</b>	
	<b>HP T1000 G3 UPS Models</b>	
	HP T1000 G3 UPS	AF448A
	<b>HP T1500 G3 UPS Models</b>	
	HP T1500 G3 UPS	AF450A
	<b>NOTE:</b> Please see QuickSpecs for Technical Specifications and additional information: <a href="http://h18000.www1.hp.com/products/quickspecs/13160_na/13160_na.html">http://h18000.www1.hp.com/products/quickspecs/13160_na/13160_na.html</a>	
HP Rack Series	<b>HP Rack 10000 G2 Series</b> (Carbon/Graphite Metallic)	
	10642 G2 (42U) Rack Cabinet 1200mm Deep - Shock Pallet	AF034A
	10642 G2 (42U) Rack Cabinet 1200mm Deep - Pallet	AF038A
	10647 G2 (47U) Rack Cabinet 1200mm Deep - Shock Pallet	AF044A
	10647 G2 (47U) Rack Cabinet 1200mm Deep - Pallet	AF045A
	<b>NOTE:</b> It is mandatory to use a shock pallet when shipping racks with equipment installed.	
	<b>NOTE:</b> Please see the Rack 10000 G2 QuickSpecs for Technical Specifications such as height, width, depth, weight, and color: <a href="http://h18000.www1.hp.com/products/quickspecs/12402_na/12402_na.html">http://h18000.www1.hp.com/products/quickspecs/12402_na/12402_na.html</a>	
	<b>NOTE:</b> For additional information regarding Rack Cabinets, please see the following URL: <a href="http://www.hp.com/go/rackandpower">http://www.hp.com/go/rackandpower</a> .	

### Additional Options

#### HP Rack Options

#### HP KVM Switch Options

IP Console Switch with Virtual Media (KVM/IP), 2x1x16 AF601A

IP Console Switch with Virtual Media (KVM/IP), 4x1x16 AF602A

Server Console Switch with Virtual Media (KVM), 0x2x16 AF600A

PS2 Virtual Media Interface Adapter, 1 Pack AF604A

**NOTE:** The AF604A is only compatible with the Console Switches with Virtual Media.

PS/2 Interface Adapter, 1 pack 262588-B21

PS/2 Interface Adapter, 8 pack 262587-B21

**NOTE:** Cat5e cables are required to connect Interface Adapters to Console Switches.

Cat5e cables can be found at the following URL: <http://www.hp.com/go/kvm>.

HP 1x4 Console Switch AF611A

HP PS2 Server Console Cable, 6 foot, 2-Pack AF612A

HP USB Server Console Cable, 6 foot, 2-Pack AF613A

**NOTE:** required for supporting USB peripherals.

**NOTE:** For additional information regarding KVM switches, Serial Console servers, rack mount monitors, keyboards and all related options please see the following URL:

<http://www.hp.com/go/kvm>.

#### Rack Kits

HP Tower to Rack Conversion Tray, Universal Kit 417705-B21

#### USB Options

HP USB 2-Button Optical Scroll Mouse (Carbonite/Silver) DC172B

HP USB 04 Standard Keyboard DT528A#ABA

USB Floppy Drive, External DC361B

**NOTE:** For the installation of Windows and other OS's, a floppy drive or the HP USB Floppy Drive Key may be required to complete driver installation. A standard USB drive key may not work to complete driver installation.

#### Service and Support Offerings

(HP Care Pack Services)

#### Extended Care

Next Business Day On-Site Service, 9-Hour x 5-Day Coverage, 3 Years, Electronic U8184E

#### Committed Care

Same Business Day On-Site Service, 4 Hour Response, excluding holidays, 13-Hour x 5-Day Coverage, 3 Years, Electronic U8192E

#### Deployment Services

Hardware Installation, Electronic (install services) U8195E

**NOTE:** For more information, customer/resellers can contact:

<http://www.hp.com/services/carepack>.



## Memory

### HP ProLiant ML150 G6 Memory Population Guidelines

**NOTE:** Memory configurations listed do not apply to "Factory Integrated Models".

**NOTE:** Charts do not represent all possible memory configurations. Memory must be populated in one of the following ways.

For detailed memory configuration rules and guidelines, please use the Online DDR3 Memory Configuration Tool:

[www.hp.com/go/ddr3memory-configurator](http://www.hp.com/go/ddr3memory-configurator)

Some DIMM installation guidelines are summarized below:

- For the HP ProLiant ML150 G6 server with twelve (12) memory slots
- There are three (3) channels per processor; six (6) channels per server
- There are two (2) DIMM slots for each memory channel; twelve (12) total slots
- Memory channel 1 consists of the two (2) DIMMs that are closest to the processor
- Memory channel 3 consists of the two (2) DIMMs that are furthest from the processor
- DIMM slots that are white should be populated first
- Do not mix Unbuffered memory (UDIMMs) with Registered memory (RDIMMs)
- Do not install DIMMs if the corresponding processor is not installed
- If only one processor is installed in a 2CPU system, only half of the DIMM slots are available
- To maximize performance, balance the total memory capacity between all installed processors
- It is not required, but it is recommended to load the channels similarly if possible
- You can only have up to eight (8) ranks installed per channel
- You can only install two quad-rank DIMMs per channel
- You can only install two UDIMMs per channel; if available, the third slot in the channel must remain empty
- Populate DIMMs from heaviest load (quad-rank) to lightest load (single-rank) within a channel
- Heaviest load (DIMM with most ranks) within a channel goes furthest from the chipset
- For memory mirroring mode, channel 3 must be unpopulated. Channels 1 and 2 are populated identically
- For lock-step mode, channel 3 must be unpopulated. DIMMs in channels 1 and 2 will be installed in pairs. The paired slots will be 1,4; 2,5; 3,6 on a 3DPC system or 1,4; 2,5; on a 2DPC system
- No mixing DIMM voltage; all DIMMs must be the same voltage

DIMM Type	Registered DIMMs (RDIMMs)				Unbuffered DIMMs (UDIMMs)			
	Dual Rank (2R)		Quad Rank (4R)		Single Rank (1R)		Dual Rank (2R)	
DIMM Rank								
DIMM Capacity	2GB	4GB	2GB	4GB	1GB	2GB	1GB	2GB
DIMM Native Speed (MHz)	1333	1333	*	1066	1333	*	*	1333
<b>SLOTS THAT CAN BE POPULATED</b>								
12 slot servers	12	12	*	12	12	*	*	12
<b>MAXIMUM CAPACITY (GB)</b>								
12 slot servers	24	48	*	48	12	*	*	24
<b>POPULATED DIMM SPEED (MHz)</b>								
1 DIMM Per Channel	1333	1333	*	1066	1333	*	*	1333
2 DIMM Per Channel	1066	1066	*	800	1066	*	*	1066
* - not supported by HP at this time.								

### NOTES:

- Mixing DIMM speeds is allowed, but the system processor speed rules always override the DIMM capabilities
- If you do mix DIMM speeds, the memory bus will default to the minimum clock rate of all DIMMs in the system - even if the slower DIMM is on the other processor



### Memory

- If you install 1x 1066MHz DIMM in channel 1 and 1x 1333MHz DIMM in channel 2, you still run at 1066MHz
- If you install 1x 1066MHz DIMM in channel 1 and 5x 1333MHz DIMMs with 1 DIMM Per Channel (DPC) in each of the other channels, you run at 1066MHz
- If you install 3DPC in one channel (if applicable) and 1DPC in all other channels, you run at 800MHz
- 95 Watt CPU's are required for 1333MHz DIMM speeds
- References to the above MHz speeds are for the various speeds of DDR3 DIMMs; 1333 refers to DDR3-1333, etc.

### Standard Memory

All HP ML150 G6 models ship with 12 DIMM sockets.

Factory Integrated Models include the memory capacity of your choice.

### Basic memory slot and population diagram

- Population order; start with "A" first, "B" second, "C" third, etc.

12 DIMM SLOTS (6 per CPU node)					
	CPU1		CPU2		
	slot #	population order	slot #	population order	
Chnl 1	1	D	1	D	Chnl 1
	2	A	2	A	
Chnl 2	3	E	3	E	Chnl 2
	4	B	4	B	
Chnl 3	5	F	5	F	Chnl 3
	6	C	6	C	

### Standard Memory (1 CPU model)

Hot Plug SAS/SATA performance and base models include 2 x 2 GB UDIMM and 1 x 2 GB UDIMM respectively

Non-Hot Plug SATA entry models include 1 x 2 GB UDIMM

- 4 GB (2 x 2GB) of PC3-10600 (DDR3-1066) Advanced ECC UDIMMs

	CPU1		CPU2		
	slot #	population order	slot #	population order	
Chnl 1	1	D: empty	1	D: empty	Chnl 1
	2	A: 2GB DIMM	2	A: empty	
Chnl 2	3	E: empty	3	E: empty	Chnl 2
	4	B: 2GB DIMM	4	B: empty	
Chnl 3	5	F: empty	5	F: empty	Chnl 3
	6	C: empty	6	C: empty	

## Memory

### Standard memory plus Optional Memory (1 CPU model)

- 18GB, consisting of three (3) 2GB RDIMMs plus three (3) 4GB RDIMMs
  - 3x 2GB dual-rank PC3-10600 RDIMMs
  - 3x 4GB dual-rank PC3-10600 RDIMMs

	CPU1		CPU2		
	slot #	population order	slot #	population order	
Chnl 1	1	D: 2GB DIMM	1	D: empty	Chnl 1
	2	A: 4GB DIMM	2	A: empty	
Chnl 2	3	E: 2GB DIMM	3	E: empty	Chnl 2
	4	B: 4GB DIMM	4	B: empty	
Chnl 3	5	F: 2GB DIMM	5	F: empty	Chnl 3
	6	C: 4GB DIMM	6	C: empty	

### Standard memory Replaced with Optional Memory (1 CPU model) RDIMM maximum configuration

- 24GB, consisting of six (6) 4GB dual-rank PC3-10600 RDIMMs

	CPU1		CPU2		
	slot #	population order	slot #	population order	
Chnl 1	1	D: 4GB DIMM	1	D: empty	Chnl 1
	2	A: 4GB DIMM	2	A: empty	
Chnl 2	3	E: 4GB DIMM	3	E: empty	Chnl 2
	4	B: 4GB DIMM	4	B: empty	
Chnl 3	5	I: 4GB DIMM	5	I: empty	Chnl 3
	6	C: 4GB DIMM	6	C: empty	

### UDIMM Maximum Configuration (1 CPU model)

- 12GB, consisting of six (6) 2GB dual-rank PC3-10600 UDIMMs

	CPU1		CPU2		
	slot #	population order	slot #	population order	
Chnl 1	1	D: 2GB DIMM	1	D: empty	Chnl 1
	2	A: 2GB DIMM	2	A: empty	
Chnl 2	3	E: 2GB DIMM	3	E: empty	Chnl 2
	4	B: 2GB DIMM	4	B: empty	
Chnl 3	5	F: 2GB DIMM	5	F: empty	Chnl 3
	6	C: 2GB DIMM	6	C: empty	

## Memory

Standard memory Replaced with Optional Memory (2 CPU model)  
 RDIMM maximum configuration

- 48GB, consisting of twelve (12) 4GB dual-rank PC3-10600 RDIMMs

	CPU1		CPU2		
	slot #	population order	slot #	population order	
Chnl 1	1	D: 4GB DIMM	1	D: 4GB DIMM	Chnl 1
	2	A: 4GB DIMM	2	A: 4GB DIMM	
Chnl 2	3	E: 4GB DIMM	3	E: 4GB DIMM	Chnl 2
	4	B: 4GB DIMM	4	B: 4GB DIMM	
Chnl 3	5	F: 4GB DIMM	5	F: 4GB DIMM	Chnl 3
	6	C: 4GB DIMM	6	C: 4GB DIMM	

UDIMM maximum configuration (2 CPU model)

- 24GB, consisting of twelve (12) 2GB dual-rank PC3-10600 UDIMMs

	CPU1		CPU2		
	slot #	population order	slot #	population order	
Chnl 1	1	D: 2GB DIMM	1	D: 2GB DIMM	Chnl 1
	2	A: 2GB DIMM	2	A: 2GB DIMM	
Chnl 2	3	E: 2GB DIMM	3	E: 2GB DIMM	Chnl 2
	4	B: 2GB DIMM	4	B: 2GB DIMM	
Chnl 3	5	F: 2GB DIMM	5	F: 2GB DIMM	Chnl 3
	6	C: 2GB DIMM	6	C: 2GB DIMM	

**NOTE:** Capacity references are rounded to the common Gigabyte values.

- 1GB = 1024MB
- 2GB = 2048MB
- 4GB = 4096MB
- 8GB = 8192MB

For detailed memory configuration rules and guidelines, please use the Online DDR3 Memory Configuration Tool:  
<http://www.hp.com/go/ddr3memory-configurator>

### Memory

Following are memory options available from HP:

#### Registered DIMMs (RDIMMs)

HP 2GB 2Rx8 PC3-10600R-9 Kit	500656-B21
HP 4GB 2Rx4 PC3-10600R-9 Kit	500658-B21
HP 4GB 4Rx8 PC3-8500R-7 LP Kit	500660-B21

#### Unbuffered DIMMs (UDIMMs)

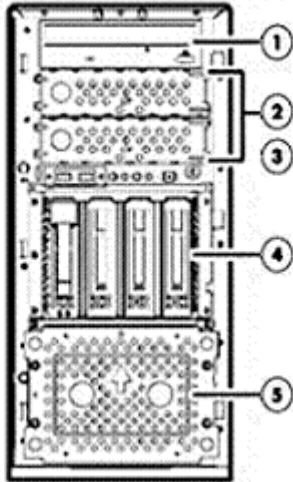
HP 1GB 1Rx8 PC3-10600E-9 Kit	500668-B21
HP 2GB 2Rx8 PC3-10600E-9 Kit	500670-B21

**NOTE:** All DDR3 memory option kits consist of one DIMM per kit. For detailed memory configuration rules and guidelines, please use the Online DDR3 Memory Configuration Tool: [www.hp.com/go/ddr3memory-configurator](http://www.hp.com/go/ddr3memory-configurator).

**NOTE:** Kits described as LP include Low Power DIMMs. For more information on ProLiant energy efficient features, see: [www.hp.com/go/proliant-energy-efficient](http://www.hp.com/go/proliant-energy-efficient)

## Storage

### Non-Hot Plug SATA or Hot Plug SAS/SATA



- 1 Optical Drive Media Bay
- 2 Media Bays
- 3 USB 2.0 ports (2)
- 4 Hard Drive Bays (1-4)
- 5 Hard Drive Bays (5-8)

## Drive Support

	Quantity Supported	Position Supported	Controller
<b>Removable Media</b>			
SATA DVD-ROM Drive	Up to 1	1	SATA

### Hard Drives

**NOTE:** The components of a storage subsystem (e.g. the drive, the HBA/controller, and the server backplane) should operate at the same data transfer rate or the system bandwidth will be negotiated down to an acceptable level for all components.

**NOTE:** Supports up to eight (8) SAS/SATA hard drives via 2nd Hot plug Hard Disk Drive cage and HP Smart Array P410 Controller.

**NOTE:** The 2nd hot-plug hard drive cage requires the purchase of one 750W hot plug power supply, Redundant Power Supply Enablement Kit and HP Smart Array P410 Controller (if not already part of the configuration).

### SAS Hot Plug 3.5" Enterprise (ENT) Drives

	Quantity Supported	Position Supported	Controller
450GB 3G SAS 15K	Up to 8	4,5	Smart Array P212 Controller
400GB 3G SAS 10K		(Drive slots 1-8)	Smart Array P410 Controller
300GB 3G SAS 15K			Smart Array P411 Controller
146GB 3G SAS 15K			
72GB 3G SAS 15K			

### SAS Non-Hot Plug 3.5" Enterprise (ENT) Drives

	Quantity Supported	Position Supported	Controller
--	--------------------	--------------------	------------

## Storage

400GB 3G SAS 10K	Up to 4	4	Smart Array P212 Controller
450GB 3G SAS 15K		(Drive slots 1-8)	Smart Array P410 Controller
300GB 3G SAS 15K			Smart Array P411 Controller
146GB 3G SAS 15K			
72GB 3G SAS 15K			

### SAS Hot Plug 3.5" Midline (MDL) Drives

	Quantity Supported	Position Supported	Controller
1TB 3G SAS 7.2K	Up to 8	4,5	Smart Array P212 Controller
750GB 3G SAS 7.2K		(Drive slots 1-8)	Smart Array P410 Controller
			Smart Array P411 Controller

**NOTE:** Transfer rates of drives are dependent on the maximum transfer rate supported by the HBA or Controller. Refer to the HBA or Controller technical specifications for details.

### SATA Hot Plug 3.5" Entry (ETY) Drives

	Quantity Supported	Position Supported	Controller
160GB 3G SATA 7.2K	Up to 8	4,5	Smart Array P212 Controller
		(Drive slots 1-8)	Smart Array P410 Controller
			Smart Array P411 Controller

### SATA Non-Hot Plug 3.5" Entry (ETY)

	Quantity Supported	Position Supported	Controller
160GB 3G SATA 15K	Up to 4	4	HP Smart Array B110i SATA RAID Controller (RAID 0,1,10)
		(Drive slots 1-4)	Smart Array P212 Controller
			Smart Array P410 Controller
			Smart Array P411 Controller
			<b>NOTE:</b> Hardware Raid 5 requires a Smart Array P212/P410/P411 Controllers.

### SATA Hot Plug 3.5" Midline (MDL) Drives

	Quantity Supported	Position Supported	Controller
1TB 3G SATA 7.2K	Up to 8	4,5	Smart Array P212 Controller
750GB 3G SATA 7.2K		(Drive slots 1-8)	Smart Array P410 Controller
500GB 3G SATA 7.2K			Smart Array P411 Controller
250GB 3G SATA 7.2K			

### SATA Non-Hot Plug 3.5" Midline (MDL)

	Quantity Supported	Position Supported	Controller
750GB 3G SATA 15K	Up to 4	4	HP Smart Array B110i SATA RAID Controller (RAID 0,1,10)
500GB 3G SATA 15K		(Drive slots 1-4)	Smart Array P212 Controller
250GB 3G SATA 15K			Smart Array P410 Controller
			Smart Array P411 Controller
			<b>NOTE:</b> Hardware Raid 5 requires a Smart Array P212/P410/P411 Controllers.

## Storage

**NOTE:** To support 8 drives, the purchase of the optional 2nd hot plug drive cage, 750W Redundant Power Supply, Redundant Power Supply Enablement Kit and HP Smart Array P410 Controller (if not already part of the configuration) are required.

### Maximum Storage Capacity - SAS Models

Internal	8.0TB (8 x 1TB SAS hard drives)
Total	8.0TB (8 x 1TB SAS hard drives)

### Maximum Storage Capacity - SATA Models

Internal	8.0TB (8 x 1TB SATA drives)
Total	8.0TB (8 x 1TB SATA drives)

## Tape and Disk-Based Backup

**NOTE:** For a complete listing of compatible tape and disk-based backup offerings, please visit: [www.hp.com/go/connect](http://www.hp.com/go/connect).

	Position Supported	Controller	Controller/HBA Option Kit Part Number
<b>Internal USB Tape Drives</b> DAT 40 USB DAT 72 USB DAT 160 USB	2	USB 2.0 port	N/A
<b>External USB Tape Drives</b> DAT 40 USB DAT 72 USB DAT 160 USB	External	USB 2.0 port	N/A
<b>Internal SCSI Tape Drives</b> DAT 40 DAT 72 DAT 160	2	HP SC11Xe Host Bus Adapter	412911-B21
<b>External SCSI Tape Drives</b> DAT 40 DAT 72 DAT 160	External	HP SC11Xe Host Bus Adapter	412911-B21
<b>Internal SAS Tape Drives</b> LTO-2 Ultrium 448 SAS LTO-3 Ultrium 920 SAS	2	HP SC44Ge Host Bus Adapter	416096-B21
<b>External SAS Tape Drives</b> LTO-2 Ultrium 448 SAS LTO-3 Ultrium 920 SAS	External	HP SC44Ge Host Bus Adapter	416096-B21



### Storage

HP StorageWorks D2D Backup Systems D2D120 D2D130 D2D2504i	External	Embedded Network Controller	N/A
HP StorageWorks Removable Disk Backup System, Internal RDX160 RDX320 RDX500	2	USB 2.0 port	N/A

## Power Specifications

<b>460W PSU Part Number</b>	500447-B21					
<b>Operational Input Voltage Range (Vrms)</b>	90 to 135 and 180 to 264 V ac full ranging					
<b>Frequency Range (Nominal) (Hz)</b>	47 to 66 Hz					
<b>Nominal Input Voltage (Vrms)</b>	<b>100</b>	<b>115</b>	<b>208</b>	<b>220</b>	<b>230</b>	<b>240</b>
Max Rated Output Wattage Rating	460	460	460	460	460	460
Nominal Input Current (A rms)	10	10	5	5	5	5
Max Rated Input Wattage Rating (Watts)	760	760	700	700	700	700
Max. Rated VA (Volt-Amp)	850	850	830	830	830	830
Efficiency (%)	65	65	65	65	65	65
Power Factor	0.9	0.9	0.9	0.9	0.9	0.9
Leakage Current (mA)	3.5mA	3.5mA	3.5mA	3.5mA	3.5mA	3.5mA
Maximum Inrush Current (A peak)	450	450	450	450	450	450
Maximum Inrush Current duration (mS)						

<b>750W PSU Part Number (optional)</b>	512327-B21					
<b>HP RPS Enablement Kit Part Number</b>	508544-B21					
<b>Operational Input Voltage Range (Vrms)</b>	90 to 135 and 180 to 264 V ac full ranging					
<b>Frequency Range (Nominal) (Hz)</b>	47 to 66 Hz					
<b>Nominal Input Voltage (Vrms)</b>	<b>100</b>	<b>115</b>	<b>208</b>	<b>220</b>	<b>230</b>	<b>240</b>
Max Rated Output Wattage Rating	750	750	750	750	750	750
Nominal Input Current (A rms)	10	10	5	5	5	5
Max Rated Input Wattage Rating (Watts)	940	940	900	900	900	900
Max. Rated VA (Volt-Amp)	1000	1000	1000	1000	1000	1000
Efficiency (%)	83	83	88	88	88	88
Power Factor	0.9	0.9	0.9	0.9	0.9	0.9
Leakage Current (mA)	3.5mA	3.5mA	3.5mA	3.5mA	3.5mA	3.5mA
Maximum Inrush Current (A peak)	450	450	450	450	450	450
Maximum Inrush Current duration (mS)						

## System Specifications

	Power**
HP ProLiant ML150 G6 Fully Configured	(see**)
Fully Loaded System Input Wattage (W)	567W (595W)
Fully Loaded System Input Current (A rms)	4.78A (5.1A) @ 115V, 2.38A (2.55A) @ 230V
Fully Loaded System Thermal (BTU- Hr)r	1794 BTU/526W (1933BTU/595W)
Fully Loaded System VA (Volt-Amp)	568.1 (601)
System Leakage with all power supplies loaded (mA)	0.7mA (1.25mA)
System Inrush Current with all power supplies loaded (A)	50A (37.6A)
Power cord requirements	Nema 5-15P to IEC320-C13
	IEC320-C13 to IEC320-C14
<b>**Power shown is for a fully configured system consisting of:</b>	
(2) CPUs up to 80W (95W), 2.4G (2.93G) (12) 2GB UDIMMs or 10 2GB RDIMMs (12pc 4G RDIMM) (4) HDDs SAS (8* HDDs SAS) (2) DVD-ROMs (3) x8 PCI-E (1) x16 PCI-E (1) PCI 32 3.3V (1) 460 watts power supply (750W power supply)	

Power Cords (13 Cord Sets)	Power Cord Part Number
	121565-001

### Technical Specifications

<b>System Unit</b>	<b>Dimensions (WxHxD)</b>	7.87 x 16.81 x 24.13 in (200 x 427 x 613 mm) (W/O foot stand)
	<b>Weight (approximate)</b>	<p>Maximum: 30 kg (All hard drives, power supplies and processors installed)</p> <p>Minimum: 16Kg (One hard drive, power supply and processor installed)</p>
	<b>Input Requirements (per power supply)</b>	Range Input Voltage 90 to 135 VAC 180 to 265 VAC
		Normal Line Voltage 100 to 127 VAC 200 to 240 VAC
		Rated Input Current load 10A at 100 to 127 VAC 5A at 200 to 240 VAC
		Rated Input Frequency 47 to 66 Hz
		Rated Input Power 760 W Max (optional 750W RPS) (940W) Max
		<b>BTU Rating</b>
<b>Power Specifications</b>	To review typical power ratings use the Power Advisor which is available via the online tool located at URL: <a href="http://www.hp.com/go/proliant-energy-efficient">www.hp.com/go/proliant-energy-efficient</a>	
<b>Power Supply Output Power (per power supply)</b>	Rated Steady-State Power	460W (750W) at 100 VAC for system 460W (750W) at 200 VAC
	Maximum Peak Power	460W (750W) at 100 VAC 460W (750W) at 200 VAC
<b>System Inlet Temperature</b>	Operating	50° to 95° F (10° to 35° C) at sea level with an altitude derating of 1.8°F per 1,000 ft (1.0° C per every 305 m) above seal level to a maximum of 10,000 ft (3050 m) no direct sustained sunlight . Maximum rate of change is 18°F/hr (10°C/hr). The upper limit may be limited by the type and number of options installed. System performance may be reduced if operating with a fan fault or above 86°F (30°C).
	Non-Operating	-40° to 140° F (-30° to 60° C)
	<b>Relative Humidity (non-condensing)</b>	Operating
	Non-operating**	10% to 95% relative humidity (Rh), 101.7°F (38.7°C) maximum wet bulb temperature, non-condensing.
<b>Altitude</b>	Operating	10,000 ft (3000m). Maximum allowable altitude change rate is 1°C per 300m.
	Non-Operating	30,000 ft (9144m). Maximum allowable altitude change rate is 1°C per 300m.

### Technical Specifications

#### Acoustic Noise

Listed are the declared A-Weighted sound power levels (LWad) and declared average bystander position A-Weighted sound pressure levels (LpAm) when the product is operating in a 23°C ambient environment. Noise emissions were measured in accordance with ISO 7779 (ECMA 74) and declared in accordance with ISO 9296 9ECMA 109).

#### Idle

(Fixed Disk Drives Spinning)

L WAd (BELS)	460W non-redundant:	5.4 B
	460W redundant:	5.5 B
	750W non-redundant:	5.6 B
	750W redundant:	5.5 B
L-pAm	460W non-redundant:	36.8 dBA
	460W redundant:	37.4 dBA
	750W non-redundant:	36.5 dBA
	750W redundant:	36.2 dBA

#### Operating

(Random Seeks to Fixed Disks)

L WAd (BELS)	460W non-redundant:	5.5 B
	460W redundant:	5.6 B
	750W non-redundant:	6.0 B
	750W redundant:	5.7 B
L-pAM	460W non-redundant:	37.4 dBA
	460W redundant:	37.1 dBA
	750W non-redundant:	40.6 dBA
	750W redundant:	39.1 dBA

#### Emissions Classification (EMC)

#### FCC Rating

Class B

#### Normative Standards

CISPR 22; EN55022; EN55024; 47 CFR, FCC Rules and Regulations Part 15 Subpart B; VCCI Class B ITE; ICES-003; CNS13438; GB9254; K22; K24; EN 61000-3-2; EN 61000-3-3.

**NOTE:** Product conformance to cited product specifications is based on sample (type) testing, evaluation, or assessment. This product or family of products is eligible to bear the appropriate compliance logos and statements.

### Technical Specifications

HP Half-Height SATA DVD-ROM Optical Drive	Disk	Applicable Disk	CD-ROM, CD-XA, CD-DA (Mode 1, Mode 2, Form 1 and 2) Photo CD (Single and Multi-session) Mixed Mode (Audio and Data combined) CD-R, CD-RW, DVD-ROM, DVD+R, DVD+RW
		Capacity	4.7 GB (DVD-5) 8.54 GB (DVD-9)
	Block Size	DVD Media	2,048 bytes
	Interface	SATA	1.56Gb/s
	Access Times (typical)	Random	<140 ms
		Full-Stroke	<250 ms
	Data Transfer Rate	Sustained	8100 to 21600 KB/s (6X to 16X)
	Cache Buffer	128 KB	
	Start-up Time (typical)	< 7 seconds	
	Stop Time	< 4 seconds	
	Laser Parameters	Type	Semiconductor Laser GaAlAs
		Wave Length	780 ± 25 nm
	Operating Conditions	Temperature	41° to 113° F (5° to 45° C)
		Humidity	10% to 90%
	Dimensions	(HxWxD, maximum)	1.7 x 5.85 x 8.11 in (4.49 x 15.0 x 20.3 cm)
		Weight	2.64 lb (1.2 kg)

Smart Array P410 Controller	Dimensions (not including bracket)	Low Profile PCIe Form Factor 19.05 cm x 24.13 cm x 5.72cm (7.5 in x 9.5 in x 2.25 in)	
	Disk Drive and Enclosure Interface	3G SAS (Serial Attached SCSI) 1.5G SATA (Serial ATA)	
	SAS Connectors	x8 3G SAS provides 2.4GB/s maximum bandwidth	
	Cache Memory Speed	DDR2-533MHz with 40 or 72-bit wide bus provides up to 4.2 GB/s maximum bandwidth.	
	Server Interface	x8 2.5G PCIe 2.0 provides 2GB/s maximum bandwidth	
	SAS Speed	x8 3G SAS provides 2.4GB/s maximum bandwidth	
	Logical Drives Supported	Up to 32 logical drives	
	Host Memory Addressing	64-bit, supporting greater than 4GB server memory space	
	RAID Support	RAID 6, 6+0 (Advanced Data Guarding)	<b>NOTE:</b> The minimum of 256 MB cache, battery kit, and Smart Array Advanced Pack License Key upgrade is required to enable RAID 6, 6+0
		RAID 5, 5+0 (Distributed Data Guarding)	<b>NOTE:</b> The 256MB upgrade is required to enable RAID 5 support on the Smart Array P410i. RAID 5+0 is available with the addition of the optional Battery kit upgrade
RAID 1+0 (Striping & Mirroring) RAID 0 (Striping)			

### Technical Specifications

Embedded HP NC107i PCI Express Gigabit Server Adapter (Embedded)	<b>Network Interface</b>	Integrated 10/100/1000BASE-T Transceiver Combines a triple-speed IEEE 802.3TM - Compliant Media Access Controller (MAC) with a triple-speed Ethernet transceiver.	
	<b>Data Transfer Method</b>	Compliant to x1 PCIe Specification	
	<b>Network Transfer Rate</b>	10Base-T (Half-Duplex)	10 Mb/s
		10Base-T (Full-Duplex)	20 Mb/s
		100Base-TX (Half-Duplex)	100 Mb/s
		100Base-TX (Full-Duplex)	200 Mb/s
		1000Base-TX (Half and Full-Duplex)	2000Mb/s
<b>Connector</b>	RJ-45 connector		
<b>Cable Support</b>	Performs all the physical layer functions for 10BASE-T, 100BASE-T, and 1000BASE-T Ethernet on standard Category 5 UTP		

---

HP Smart Array B110i SATA RAID Controller (RAID 0,1,10)	<b>Dimensions</b>	N/A (embedded) ships standard
	<b>Disk Drive and Enclosure Protocol Support</b>	3.0 Gbps SATA
	<b>Architecture</b>	64-bit
	<b>SAS Connectors</b>	4 internal x1 SATA connectors
	<b>Software Upgradeable Firmware</b>	Yes
	<b>Maximum Capacity</b>	2TB
	<b>Memory Addressing</b>	6GB (maximum)
	<b>Logical Drives Supported</b>	2 (maximum)
	<b>RAID Support</b>	RAID 1 (Mirroring) RAID 0 (Striping) RAID 10

---

<b>Environment-friendly Products and Approach</b>	<b>End-of-life Management and Recycling</b>	Hewlett-Packard offers end-of-life HP product return, trade-in, and recycling programs in many geographic areas. For trade-in information, please go to: <a href="http://www.hp.com/go/green">http://www.hp.com/go/green</a> . To recycle your product, please go to: <a href="http://www.hp.com/go/green">http://www.hp.com/go/green</a> or contact your nearest HP sales office. Products returned to HP will be recycled, recovered or disposed of in a responsible manner.
---	---	--

The EU WEEE directive (2002/95/EC) requires manufacturers to provide treatment information for each product type for use by treatment facilities. This information (product disassembly instructions) is posted on the Hewlett Packard web site at: <http://www.hp.com/go/green>. These instructions may be used by recyclers and other WEEE treatment facilities as well as HP OEM customers who integrate and re-sell HP equipment.

### *Technical Specifications*

© Copyright 2009 Hewlett-Packard Development Company, L.P.

The information contained herein is subject to change without notice.

Microsoft and Windows NT are US registered trademarks of Microsoft Corporation. Intel, the Intel logo, Xeon and Xeon Inside are trademarks of Intel Corporation in the U.S. and other countries.

The only warranties for HP products and services are set forth in the express warranty statements accompanying such products and services. Nothing herein should be construed as constituting an additional warranty. HP shall not be liable for technical or editorial errors or omissions contained herein.

For hard drives, 1GB = 1 billion bytes. Actual formatted capacity is less.