

EdgeReady™ Micro Data Center

Quiet Rack, 21U Usable, 3 kVA, 120V



Benefits

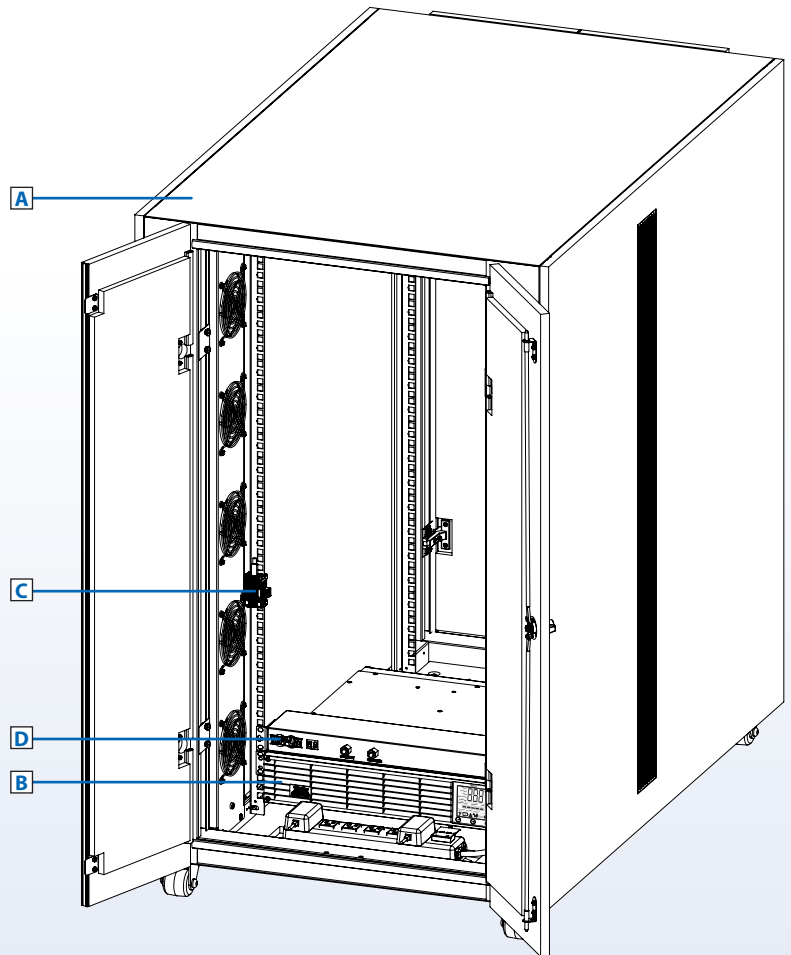
- Provides preconfigured IT infrastructure for edge computing servers, storage and network hardware in noise-sensitive, space-limited locations
- Integrates secure rack space, reliable power distribution, expandable battery backup, remote management and optional cooling
- Prevents configuration errors, reduces installation time, decreases field costs and standardizes edge computing infrastructure
- Ships three business days from receipt of order, after design, assembly and testing by experts in a controlled environment

Included Hardware

- A** SRQ24U Quiet Rack Enclosure (Standard Width)
- B** SMART3000RMLN SmartPro® UPS System with Pre-Installed WEBCARDLX Network Management Card
- C** E2MTHDI Environmental Sensor (Temperature/Humidity/Digital Inputs)
- D** PDU MH30 Metered PDU

Assembled/tested unit also includes reinforced shock pallet and loading ramps for stable shipment and re-shipment with installed IT equipment.

See Next Page for Customization Options



Specifications

| | |
|----------------------------|---|
| Model (Kit) | MDK1F21UPX00001 |
| Model (Assembled/Tested) | MDA1F21UPX00001 |
| Output Power Capacity | 3 kVA/2.88 kW/24A Max |
| Rack Space | 24U Total; 21U Usable |
| Weight Capacity | 1000 lb. (453 kg) Total; 617 lb. (280 kg) Usable |
| Maximum Device Depth | 37 in. (940 mm) |
| Site Power Requirements | 120V, 30A, 60 Hz |
| Site Outlet Required | NEMA L5-30R |
| UPS Type | Line-Interactive with Sine Wave Output |
| Runtime (50%/100% Load) | 10/3 min. (Expandable) |
| High-Availability Features | Automatic Voltage Regulation (AVR); Battery Backup; Hot-Swappable Batteries |
| Usable Outlets (UPS + PDU) | (20) NEMA 5-15/20R |
| Dimensions (Assembled) | 49.1 x 30 x 46.7 in. (1247 x 762 x 1186 mm) |
| Weight (Assembled) | 383 lb. (174 kg) |
| Warranty* | 2-Year Limited Warranty (Extendable) |

*Any component with a warranty longer than 2 years will be covered by the longer warranty.

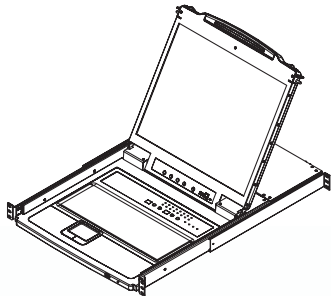


Powering and Connecting Your World

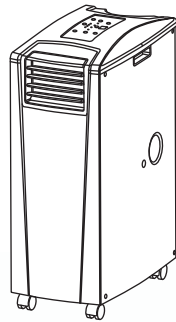
Unlimited Micro Data Center Customization

Tripp Lite's solutions team is standing by to help you tailor your EdgeReady™ micro data center to match the business and technology requirements of your edge deployment strategy. We ship custom solutions in as little as five business days, assembled and tested. We can help you customize your EdgeReady™ micro data center in several ways:

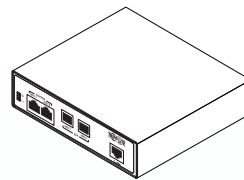
- Quick and easy customization via stocked add-on accessories for the base configurations
- Upgrades to included components of base configurations with stocked alternatives
- Customization of individual components like racks, PDUs and cables (increases lead time)



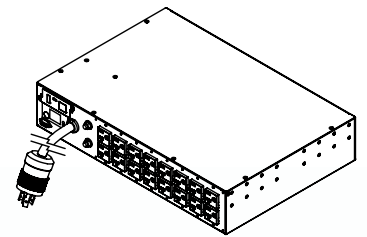
B020-U16-19-IP
1U Rack Console
with 16-Port KVM Switch
and Remote Access



SRCOOL12K
Portable Air Conditioning
Unit (3.5 kW)



B093-008-2E4U-M
8-Port Console Server
with Built-in Modem for
Fail-Safe Access



PDUMH30NET
2U Switched PDU
with Remote Current
Monitoring, Alerts and
Outlet Control

Optional Accessories, Sold Separately (Visit www.tripplite.com to see the full selection.)

| | |
|--|--|
| Switched PDU | PDUMH30NET with (16) NEMA 5-15/20R; 2U (Replaces standard PDU) |
| Battery Packs for Extended Runtime (50%/100% Load) | 30/11 min. with BP48V24-2U (Limit 1); 43/16 min. with BP48V27-2US ; 67/26 min. with BP48V60RT-3U |
| Cooling | SRCOOL12K (3.5 kW; Portable; NEMA 5-15P) |
| KVM Switch | B022-U16-IP ; B020-U16-19-IP (With LCD Console) |
| Console Server | B093-008-2E4U-M |
| Door Monitoring Kit | SRSWITCH (Monitors Front/Rear Doors) |
| Airflow Management | SR1UPANEL10 and/or SR1UBRUSH |
| Cable Managers | 40+ Horizontal, Vertical and External Cable Management Options at tripplite.com |
| Power Cords | Match to IT Equipment; 250+ Power Cord Options at tripplite.com |
| Network Cables | Match to IT Equipment; 1,000+ Copper and Fiber Network Cable Options at tripplite.com |
| Patch Panels | 60+ Copper and Fiber Patch Panel Options at tripplite.com |
| Additional Sensors | E2MT (Up to 3 Sensors Total per WEBCARDLX to Monitor Top/Middle/Bottom Temperature) |

1111 W. 35th Street, Chicago, IL 60609 USA | 773.869.1236 | www.tripplite.com



Powering and Connecting Your World