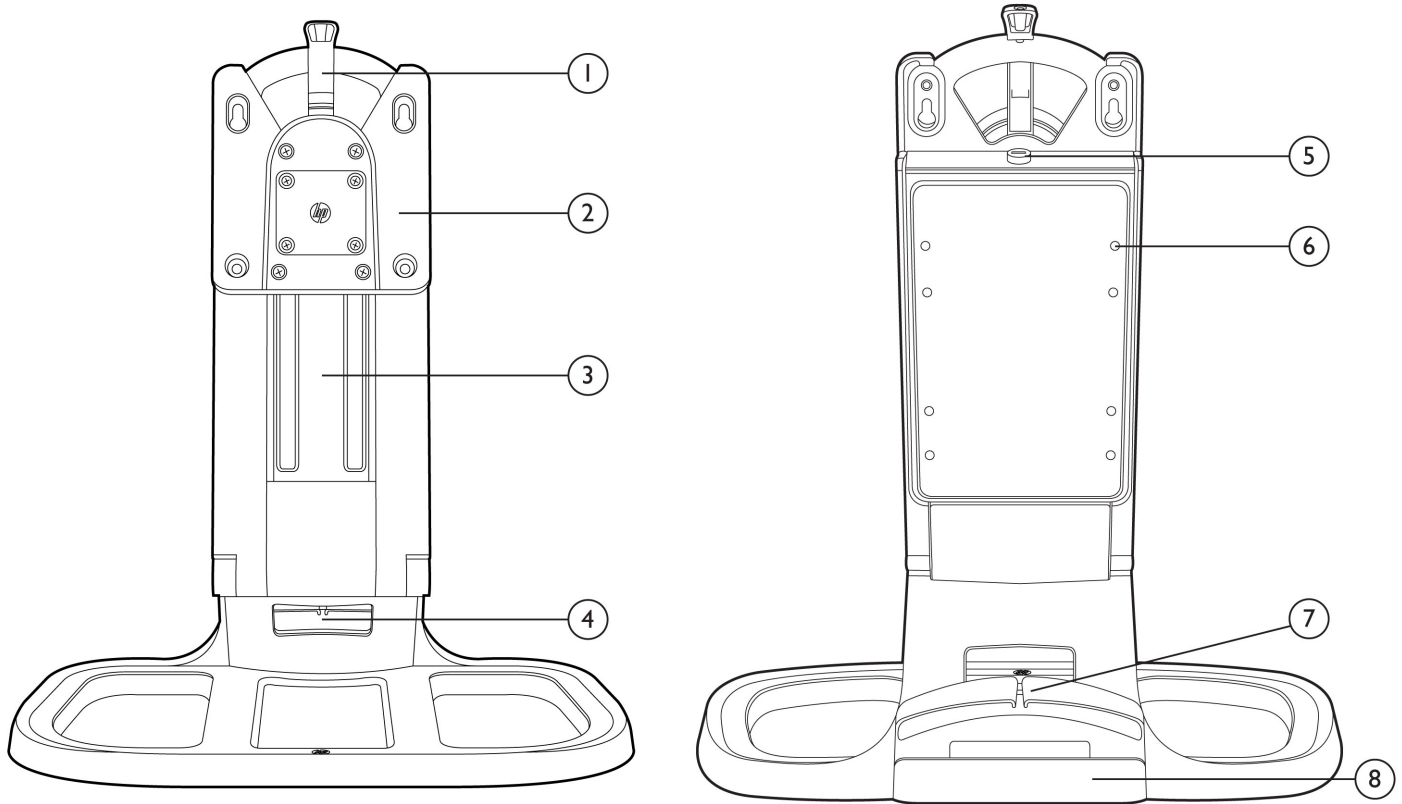


### Overview



1. HP Quick Release mounting latch
2. Integrated HP Quick Release
3. Height-adjustable monitor mount
4. Integrated cable management slot

5. Mounting bracket security thumb-screw
6. USDT PC and Thin Client mounting bracket
7. Rear cable management clips
8. Spring-loaded power supply tray

### Models

**Part Number:** E8H16AA/AT (black and meteorite), LH526AA/AT (black and silver)

### Overview

#### Introduction

The HP Integrated Work Center Stand is designed to help maximize the use of limited desk space without compromising performance or productivity by accommodating an HP Ultra-slim Desktop PC or an HP Thin Client, and most HP 17 to 24-inch<sup>1</sup> diagonal LCD monitors (please refer to compatibility list below), with VESA standard mounting brackets.

Simply mount the USDT or Thin Client on to the back plate with four simple screws, and then attach the monitor to the front of the stand with the included HP Quick Release. Next, neatly route the cords into the cable management clip and insert the power supply into the secure spring-loaded drawer to enable the monitor and PC to be combined into a complete system, creating a convenient "All-in-Two" form factor.

#### Key features and benefits

- Integrates your HP Ultra-slim Desktop PC or Thin Client and most HP 17 to 24-inch<sup>1</sup> diagonal LCD monitors, allowing you to conveniently put the entire compact system configuration at your fingertips, saving valuable desktop space and making the most efficient use of space-constrained office environments
- Cable management clips help keep cables neatly dressed and concealed behind the stand
- Industry-standard VESA mounting holes enable high or low positioning of the USDT or Thin Client
- An adjustable stand with tilt, height and swivel lets you change positions throughout the day, helping you stay comfortable and productive
- Built-in HP Quick Release enables easy installation and removal of monitor
- Spring loaded retention drawer securely holds power supplies of many sizes
- Cable pass-through design simplifies cable routing and enables a clutter free workspace

#### Compatibility

The Integrated Work Center Stand is designed to exclusively accommodate HP Ultra-slim Desktop PC models, Thin Clients and the HP LCD monitors shown below (each sold separately).

##### Note:

A 2 mm spacer (included) is needed to accommodate:

- Advantage: LA2006x, LA2206x, LA2206xc, LA2306x
- Specialty: L2311c

A 7 mm spacer (included) is needed to accommodate the ZR2240w

ProDisplay
LE1711
LE1911
P17A
P19A
P191
P201
P221
P231

EliteDisplay
LA1956x
E190i
E201
E221

### Overview

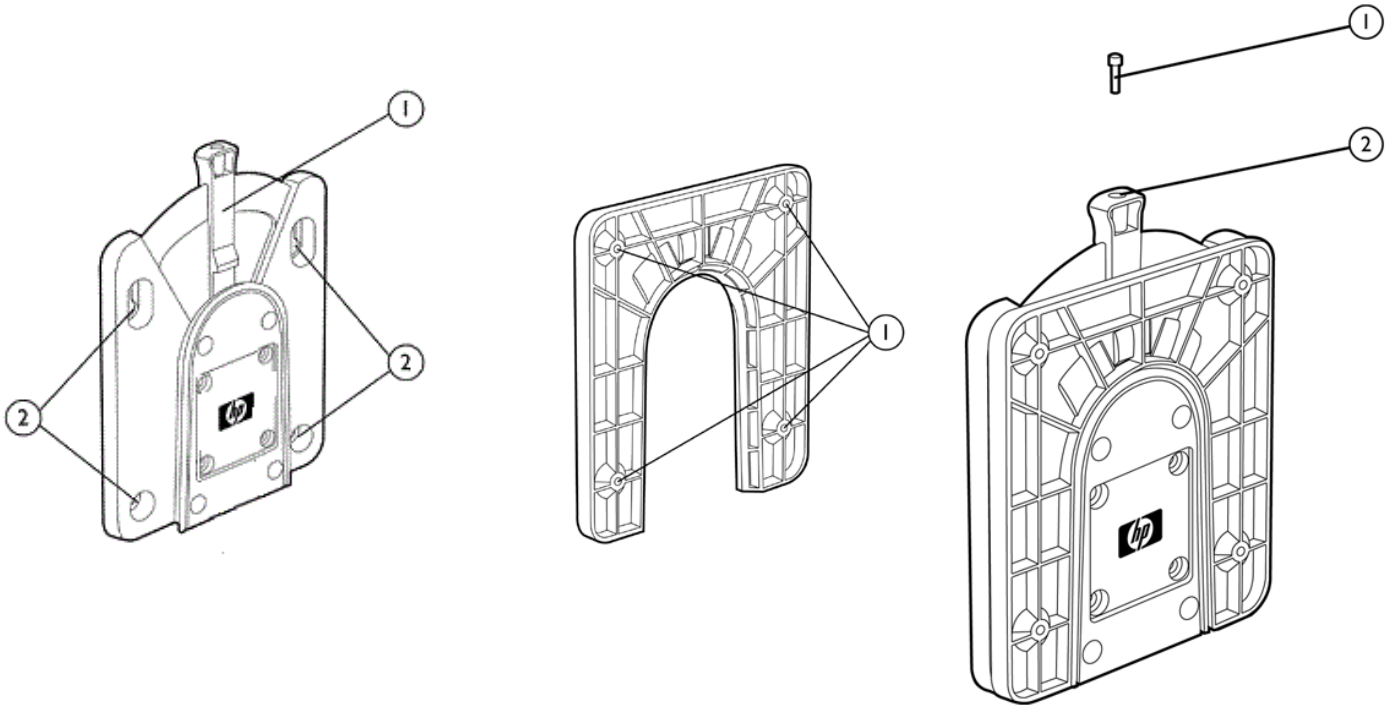
E231 E241i LA2405x <sup>2</sup>
<b>Performance</b>
ZR2040w ZR2240w ZR2330w <sup>2</sup> ZR2440w <sup>2</sup> Z22i Z23i <sup>2</sup> Z24i <sup>2</sup>
<b>Value</b>
V201, V201a V206hz V241 V241a
<b>Specialty</b>
E221c L2401x <sup>2</sup> L2311c <sup>2</sup>
<b>Touch</b>
L2206tm
<b>Compatible Thin Clients</b>
t310 (requires VESA mount) t410 t510 t5335z t5550 t5565 t5565z t5570 t5570e t5400 T5740 t5740e t5745 t610 t610PLUS
<b>Compatible PC</b>
HP Ultra-Slim Desktop PC

### Technical Specifications

<b>Mechanical</b>	<b>Tilt range</b>	-3 to +20 degrees vertical tilt	
	<b>Swivel range</b>	-180° to + 180°	
	<b>Height adjustable</b>	Yes, range: 13.0 cm	
	<b>Pivot rotation</b>	No	
	<b>Dimensions</b> (H x W x D)	Unpackaged	<b>36,19 x 37,35 x 25,05 cm</b> (14.25 x 14.7 x 9.93 in)
		Packaged	<b>32,0 x 49,0 x 43,8 cm</b> (12.6 x 19.3 x 17.2 in)
<b>Weight</b>	Unpackaged	<b>3,1 kg</b> (6.8 lbs)	
	Packaged	<b>4,9 kg</b> (10.8 lbs)	
<b>Supported weight capacity</b>	The Integrated Work Center Stand has been designed to support 17 to 24-inch diagonal HP LCD monitors from 2.3 kg to 5.2 kg (5.07 lbs to 11.24 lbs).		
<b>Other</b>	<b>Included Accessories</b>	Exclusive Integrated Work Center VGA video cable, HP Ultra-slim Desktop cable cover (rear port cover), PC mounting bracket, HP Quick Release, 2mm and 7mm spacers, documentation kit.	
	<b>Quick Start Guide languages</b>	English, Spanish, Dutch, French, German, Italian, S. Chinese and Japanese	
	<b>Warranty languages</b>	English, French, German, Italian, Spanish, Japanese, T. Chinese, S. Chinese, Korean, Indonesian, Brazilian Portuguese and LA Spanish	
	<b>VESA external mounting</b>	Yes (Standard 4 hole pattern, two separate 100 mm patterns on the mounting bracket)	
	<b>Option kit contents</b>	Integrated Work Center Stand and PC mounting bracket, Integrated Work Center VGA video cable, HP Ultra-slim Desktop cable cover (rear port cover), Quick Release bracket (to attach to back of monitor), " 2mm and 7mm spacers	
<b>Compliance</b>	RoHS compliant		
<b>Limited Warranty</b>	The Integrated Work Center Stand carries a one-year limited warranty. Technical support is available seven days a week, 24 hours a day, by phone, as well as online support forums. Certain restrictions and exclusions apply.		

### Overview - HP LCD Monitor Quick Release

#### HP LCD Monitor Quick Release (included)



- |                                       |                                       |  |
|---------------------------------------|---------------------------------------|--|
| 1. Release/locking                    | 1. Four 100 mm VESA mount screw holes | 1. Locking pin screw                       |
| 2. Four 100 mm VESA mount screw holes |                                       | 2. Locking pin hole on release/locking arm |

### Introduction

HP offers a variety of optional products (each sold separately) designed to complement our monitors and enhance the overall computing experience. The HP Monitor Quick Release is designed for use with 100 mm VESA-compatible flat panel monitors.

HP Quick Release is an easy to use, 100 mm VESA-compliant, LCD monitor mounting solution that allows you to quickly and securely attach a flat panel monitor to a variety of stands, brackets, arms or wall mounts. HP Quick Release can also be used for mounting any combination of devices that are compatible with the 100 mm VESA Flat Display Mounting Interface Standard. The failsafe "Sure-Lock" mechanism snaps the monitor (or mounted device) securely in place, and can be further secured with a theft-deterrent security screw.

### Technical Specifications - HP LCD Monitor Quick Release

<b>Mechanical</b>	<b>Dimensions</b> (H x W x D)	<b>Packaged:</b>	7.8 x 6.25 x 1.5 in (19.8 x 15.9 x 3.8 cm)
		<b>Unpackaged:</b>	6.3 x 5.2 x 0.65 in (16 x 13.2 x 1.65 cm)
	<b>Weight</b>	<b>Packaged:</b>	1.1 lb (0.49 kg)
		<b>Unpackaged:</b>	0.82 lb (0.37 kg)
<b>Additional components</b>	<ul style="list-style-type: none"><li>● Eight 10 mm mounting screws (for attachment to VESA compliant monitor mounts)</li><li>● Eight 15.5 mm mounting screws (for attachment to HP Compaq t5000 Thin Client products)</li><li>● Four 20 mm mounting screws (for attachment to back of select HP LCD monitor stands)</li><li>● One Quick Release "locking" screw</li><li>● 2mm and 7mm spacers<ul style="list-style-type: none"><li>○ 2 mm spacer accommodates:<ul style="list-style-type: none"><li>○ Advantage: LA2006x, LA2206x, LA2206xc, LA2306x.</li><li>○ Specialty: L2311c.</li></ul></li><li>○ 7 mm spacer accommodates:<ul style="list-style-type: none"><li>■ ZR2240w, ZR2440w, Z24i</li></ul></li></ul></li></ul>		
<b>Color</b>	Black		
<b>Notes</b>	<ol style="list-style-type: none"><li>1. No HP monitors allow positioning of a thin client product between a monitor screen and its stand.</li><li>2. The Quick Release device is not to be used between a monitor screen and its stand unless provided that way from the factory.</li><li>3. Under no circumstances is the Quick Release device intended to be used in an orientation where the Release/Lock lever is oriented downward.</li></ol>		
<b>Supported weight capacity</b>	The HP Quick Release has been designed to support a maximum of up to 24 lbs (10.9 kg) depending upon the mounting configuration used. Please note this is a total weight limit for all devices mounted, i.e. the combined weight of the monitor and a second device such as an HP Thin Client cannot exceed 24 pounds. Because mounting surfaces vary widely and the final mounting method and configuration may vary, mounting fasteners are not supplied (other than the VESA-compliant screws). HP recommends that you consult with a qualified engineering, architectural or construction professional to determine the appropriate type and quantity of mounting fasteners required for your application and to ensure that your mounting solution is properly installed to support applied loads.		

©2014 Hewlett-Packard Development Company, L.P.

The information contained herein is subject to change without notice. The only warranties for HP products and services are set forth in the express warranty statements accompanying such products and services. Nothing herein should be construed as constituting an additional warranty. HP shall not be liable for technical or editorial errors or omissions contained herein.

1 Not all 24-inch monitors supported, please refer list of compatible monitors.

2 Must be used in conjunction with a USDT or Thin Client