

# User's Manual

**CITIZEN®**

**IMPACT DOT MATRIX PRINTER**

**MODEL CBM-920**

**CITIZEN SYSTEMS JAPAN CO.,LTD.**

# WEEE MARK

**En** If you want to dispose this product, do not mix with general household waste. There is a separate collection systems for used electronics products in accordance with legislation under the WEEE Directive (Directive 2002/96/EC) and is effective only within European Union.

**Ge** Wenn Sie dieses Produkt entsorgen wollen, dann tun Sie dies bitte nicht zusammen mit dem Haushaltsmüll. Es gibt im Rahmen der WEEE-Direktive innerhalb der Europäischen Union (Direktive 2002/96/EC) gesetzliche Bestimmungen für separate Sammelsysteme für gebrauchte elektronische Geräte und Produkte.

**Fr** Si vous souhaitez vous débarrasser de cet appareil, ne le mettez pas à la poubelle avec vos ordures ménagères. Il existe un système de récupération distinct pour les vieux appareils électroniques conformément à la législation WEEE sur le recyclage des déchets des équipements électriques et électroniques (Directive 2002/96/EC) qui est uniquement valable dans les pays de l'Union européenne.

Les appareils et les machines électriques et électroniques contiennent souvent des matières dangereuses pour l'homme et l'environnement si vous les utilisez et vous vous en débarrassez de façon inappropriée.

**Sp** Si desea deshacerse de este producto, no lo mezcle con residuos domésticos de carácter general. Existe un sistema de recogida selectiva de aparatos electrónicos usados, según establece la legislación prevista por la Directiva 2002/96/CE sobre residuos de aparatos eléctricos y electrónicos (RAEE), vigente únicamente en la Unión Europea.

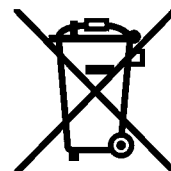
**It** Se desiderate gettare via questo prodotto, non mescolatelo ai rifiuti generici di casa. Esiste un sistema di raccolta separato per i prodotti elettronici usati in conformità alla legislazione RAEE (Direttiva 2002/96/CE), valida solo all'interno dell'Unione Europea.

**Du** Deponeer dit product niet bij het gewone huishoudelijk afval wanneer u het wilt verwijderen. Er bestaat ingevolge de WEEE-richtlijn (Richtlijn 2002/96/EG) een speciaal wettelijk voorgeschreven verzamelsysteem voor gebruikte elektronische producten, welk alleen geldt binnen de Europese Unie.

**Da** Hvis du vil skille dig af med dette produkt, må du ikke smide det ud sammen med dit almindelige husholdningsaffald. Der findes et separat indsamlingssystem for udtjente elektroniske produkter i overensstemmelse med lovgivningen under WEEE-direktivet (direktiv 2002/96/EC), som kun er gældende i den Europæiske Union.

**Por** Se quiser deitar fora este produto, não o misture com o lixo comum. De acordo com a legislação que decorre da Directiva REEE – Resíduos de Equipamentos Eléctricos e Electrónicos (2002/96/CE), existe um sistema de recolha separado para os equipamentos electrónicos fora de uso, em vigor apenas na União Europeia.

**Pol** Jeżeli zamierzasz pozbyć się tego produktu, nie wyrzucaj go razem ze zwykłymi domowymi odpadkami. Według dyrektywy WEEE (Dyrektywa 2002/96/EC) obowiązującej w Unii Europejskiej dla używanych produktów elektronicznych należy stosować oddzielne sposoby utylizacji.



## **Declaration of Conformity**

This printer conforms to the following Standards:

Low Voltage Directive 73/23/EEC, 93/68/EEC and the EMC Directive 89/336/EEC, 92/31/EEC, 93/68/EEC.

LVD : EN60950

EMC : EN55022      Class A

EN61000-3-2

EN61000-3-3

EN55024

This declaration is applied only for 230V model.

Warning: This is a Class A products. In a domestic environment this product may cause radio interference in which case the user may be required to take adequate measures.

CITIZEN is a registered trade mark of CITIZEN WATCH CO., LTD., Japan  
CITIZEN es una marca registrada de CITIZEN WATCH CO., LTD., Japón

## IMPORTANT SAFETY INSTRUCTIONS

- Read all of these instructions and save them for future reference.
- Follow all warnings and instructions marked on the product.
- Unplug this product from the wall outlet before cleaning. Do not use liquid or aerosol cleaners. Use a damp cloth for cleaning.
- Do not use this product near water.
- Do not place this product on an unstable cart, stand or table. The product may fall, causing serious damage to the product.
- Slots and openings on the back or bottom of the case are provided for ventilation. To ensure reliable operation of the product and to protect it from overheating, do not block or cover these openings. The openings should never be blocked by placing the product on a bed, sofa, rug or other similar surface. This product should never be placed near or over a radiator or heater. This product should not be placed in an built-in installation unless proper ventilation is provided.
- This product should be operated from the type of power source indicated on the marking label. If you are not sure of the type of power available, consult your dealer or local power company.
- Do not allow anything to rest on the power cord. Do not place this product where the cord will be walked on.
- If an extension cord is used with this product, make sure that the total of the ampere ratings of the products plugged into the extension cord does not exceed the extension cord ampere rating. Also, make sure that the total of all products plugged into the wall outlet does not exceed 15 amperes.
- Never push objects of any kind into this product through cabinet slots as they may touch dangerous voltage points or short out parts that could result in a risk of fire or electric shock. Never spill liquid of any kind on the product.
- Except as explained elsewhere in this manual, do not attempt to service this product by yourself. Opening and removing the covers that are marked "Do Not Remove" may expose you to dangerous voltage points or other risks. Refer all servicing on those compartments to service personnel.  
Unplug this product from the wall outlet and refer servicing to qualified service personnel under the following conditions:
  - A. When the power cord or plug is damaged or frayed.
  - B. If liquid has been spilled into the product.
  - C. If the product has been exposed to rain or water.
  - D. If the product does not operate normally when the operating instructions are followed. Adjust only those controls that are covered by the operating instructions since improper adjustment of other controls may result in damage and will often require extensive work by a qualified technician to restore the product to normal operation.
  - E. If the product has been dropped or the cabinet has been damaged.
  - F. If the product exhibits a distinct change in performance, indicating a need for service.

**IMPORTANT:** This equipment generates, uses, and can radiate radio frequency energy and if not installed and used in accordance with the instruction manual, may cause interference to radio communications. It has been tested and found to comply with the limits for a Class A computing device pursuant to Subpart J of Part 15 of FCC Rules, which are designed to provide reasonable protection against such interference when operated in a commercial environment. Operation of this equipment in a residential area is likely to cause interference, in which case the user at his own expense will be required to take whatever measures may be necessary to correct the interference.

**CAUTION: Use shielded cable for this equipment.**

### **Sicherheitshinweis**

Die Steckdose zum Anschluß dieses Druckers muß nahe dem Gerät angebracht und leicht zugänglich sein.

### **For Uses in Canada**

This digital apparatus does not exceed the class A limits for radio noise emissions from digital apparatus, as set out in the radio interference regulations of the Canadian department of communications.

### **Pour L'utilisateurs Canadiens**

Cet appareil numérique ne dépasse pas les limites de catégorie A pour les émissions de bruit radio émanant d'appareils numériques, tel que prévu dans les règlements sur l'interférence radio du département Canadien des communications.

**<Cautions>**

1. Before using the equipment, be sure to read this User's manual thoroughly.
2. Portions of the contents of this User's manual may be changed without prior notice.
3. The reproduction of part or all of the contents of this User's manual without permission is strictly forbidden.
4. Absolutely do not carry out maintenance, disassembly, or repair of parts that are not specified in this User's manual.
5. Note that losses, which may be attributed to the customer's wrong operation method or usage environment, will be outside the responsibility of this company.
6. Do not carry out operations other than those explained in this User's manual, since doing so may become a cause of accidents or breakdowns.
7. Because data is basically transient, long-period and permanent storage of data will not be possible. Please note in advance that this company will not be responsible in any way for losses or lost profits caused through the clearing of data due to breakdowns, repairs, investigations, etc.
8. If any questionable points, mistakes, omitted explanations, etc. are found in the contents of this document, please notify this company.
9. Please note that notwithstanding the conditions in above 8, this company will not be responsible for the consequences of results obtained through operation of this equipment.
10. Please make sure to conduct maintenance before using this equipment after long-term storage.

## CAUTIONS FOR SAFE USE (Be sure to follow these cautions)

The cautions that must be followed in order to prevent injury to persons using this equipment or to other persons, and to protect against damage to property are displayed as shown below.

- The danger of injury or damage resulting from mistaken methods of use and not following the displayed cautions will be explained as follows:



### **WARNING!**

The **WARNING** symbol indicates that if the methods of use is mistaken by not following the explanation given, there will be a possibility of the occurrence of death or serious injury.



### **CAUTION**

The **CAUTION** symbol indicates that if the methods of use is mistaken by not following the explanation given, there will be a possibility of the occurrence of problems or physical damage.



The symbol represents an illustration shown to attract reader's attentions.



The symbol represents an illustration shown the information like method etc...



### **WARNING!**

- Absolutely do not carry out the following actions, because those may cause the breakage of printer, abnormality in operation, the heating or smoking cause fire or electric shock.

In situation where the equipment has been damaged (No printing, no paper feeding etc.....), the equipment is making smoke, creating some offensive smell or noise, switch off the power, remove the power supply cable and interface cable, contact your sales shop.

 **WARNING!**

- Do not subject this equipment to excessive force or shocks such as by treading on it, dropping it or hitting it.
- Do not install this equipment in locations with poor ventilation, and do not use the equipment in such way that the ventilation port is obstructed.
- Do not use this equipment in locations such as laboratories in which chemical reaction takes place, or in locations in which the air includes salt or toxic gases.
- Do not use this equipment at voltage other than the specified voltage or at frequencies other than at the specified frequencies.
- Do not insert or remove the power cables or interface cable by pulling on the cable, and do not carry the main unit in such way as to subject the cables to force.
- Do not drop or insert foreign subjects like paper clips or split pins, etc. into the equipment. In case of dropping those foreign object into the equipment, remove power supply plug and contact your sales shop.
- Do not arrange the power cable so that many plugs are using same power out-let. Do not use the equipment in the situation where there is any breakage on the power supply cable or electrical contact of the cables is not proper.
- Do not spill drinks such as tea, coffee or juice, or spray anti-mosquito preparations, etc. onto the equipment. In case of spilling drinks like water, switch off the power, remove power supply cable and contact your sales shop.
- Do not attempt to disassemble or modify this equipment, since these actions will cause fire or electric shock.





## PRECAUTIONS FOR INSTALLATION

- Do not install or store this printer near fire, water, a heater, in the direct sunshine in the locations such as high-temperature, high humidity, oily and dusty . This may cause fire and abnormality.
- Do not use this printer in locations such as laboratories in which chemical reactions take place, or in locations in which the air includes salt or toxic gases. This may cause a fire or electric shock.
- Make sure to install this printer on the vertical mounting panel with no vibration.
- Do not use this printer in the locations have environment to cause a trouble in operations.
- Do not put anything on the printer unit. This may cause a breakage.
- To fix this printer, make sure to use enclosed rack mounting bracket and screws. Do not fasten the screws excessively. This may cause abnormality and breakage.
- Do not use this printer near radio or television, and do not use same outlet as the one used for radio and television. This may cause a trouble with receiving an electric wave.
- Do not use voltage or power supply other than specified in this manual. Do not use this printer in case + side and GND are not connected properly. This may cause breakage and a fire.
- Make sure that capacity of the power supply connected to this printer is enough before using this printer.
- Absolutely do not connect the earth with gas pipe. This may a possibility of explosion. Make sure to remove the power plug from power outlet in case of connect or disconnect the earth.
- Make sure to connect or disconnect the cable holding the main body of connectors after switching off the both power of this equipment and the equipment which this equipment is connected to.
- Certainly connect the connector cables. Especially, if the polarity is connected in reverse way, this may cause the damage to the internal parts or to the equipment, which this equipment is connected to.
- To avoid data transmission error due to noise, make sure not to use too many extension power supply cables, or not to connect the other equipment creates much noise with this single line.

**CAUTION FOR HANDLING****Do not carry out the following operation, since they may be cause of breakage.**

- Do not carry out blank printing in the condition where there is no recording paper and no ink ribbon in the unit, this may make a damage to print head.
- Do not drop any foreign subjects like paper clips, or splits pins, etc. into the printer unit.
- Do not spill any drinks or chemical liquid onto the printer units.
- Do not subject this equipment to excessive force shocks such as by treading on it, dropping it or hitting it.
- Do not operate the operation panel using sharp objects such as the top of a pen etc.
- Do not pull the paper in printer forcibly by hand or pull the paper in opposite way to paper feed direction.
- Change ink ribbon cassette before the ink of this ribbon completely runs out. In case the ribbon is teared by the excess in use, this may cause the abnormality in printing. Do not supply the ink with this ribbon cassette.
- Do not carry the printer unit setting the ribbon cassette in printer.

**To avoid injury and prevent damage from spreading.**

- Do not touch the printing portion of print head.
- During operation, do not touch moving parts such as gears, or the electrical parts in side the printer units.
- Take care not to injure yourself or other objects from the edge of the sheet metal.
- If an abnormality occurs during use, immediately stop using the printer and remove the power cable from the power source outlet.
- If a breakage occurs, do not attempt to disassemble the equipment. Be sure to leave the repair of this equipment to Service personnel.
- Take care not to put your hands or fingers between the panel during opening and closing the panel.

 **ORDINARY MAINTENANCE**

- Make sure to maintain the equipment after switching OFF the power .
- When cleaning the platen of printer mechanism, wipe out the dirty portion by a cotton pad dipped into ethyl alcohol.
- When cleaning the surface of the main unit case, use soft cloth. In case the dirty portion can not be cleared out by the soft cloth, use wet cloth squeezed tightly. Absolutely do not use thinners, truculence, benzene or ketene group solvents, or chemical-impregnated cleaning cloths.
- At least, leave cleaning of the inside of this equipment to your sales shop once a year. Using this equipment keeping dirty without cleaning the inside may cause a fire or breakage of the equipment.

## CONTENTS

<b>1.</b>	<b>OUTLINE.....</b>	<b>8</b>
	1.1 Features .....	8
	1.2 Accessories .....	8
<b>2.</b>	<b>GENERAL SPECIFICATIONS.....</b>	<b>9</b>
	2.1 Model classifications.....	9
	2.2 Power Supply .....	9
	2.3 Cautions for Roll Paper.....	9
	2.4 Specification .....	10
<b>3.</b>	<b>OUTER APPEARANCE AND EXPLANATION OF EACH PART .....</b>	<b>11</b>
	3.1 Outer Appearance and Explanation of Each Part .....	11
	3.2 Explanation of Each Part.....	12
<b>4.</b>	<b>OPERATION .....</b>	<b>13</b>
	4.1 Rack Mounting.....	13
	4.2 Power Supply Connection.....	14
	4.3 Panel Opening/Closing .....	15
	4.4 Paper Feeding.....	16
	4.5 Setting Ribbon Cassette .....	16
	4.6 Setting Printing Paper .....	17
	4.7 Self-Printing Function.....	19
	4.8 Paper Near End Sensor, Paper End Sensor, and Mechanical Alarm.....	20
	4.9 Auto Loading Function .....	21
<b>5.</b>	<b>PARALLEL INTERFACE .....</b>	<b>22</b>
	5.1 Specifications .....	22
	5.2 Connector Pin's Configuration .....	22
	5.3 Explanation of Input/Output Signals.....	23
	5.4 Electrical Characteristics.....	24

---

<b>6.</b>	<b>SERIAL INTERFACE.....</b>	<b>26</b>
6.1	Specifications .....	26
6.2	Connector Connection Diagram.....	27
6.3	Explanation of Input/Output Signals.....	27
6.4	Electrical .....	28
6.5	Error Detection.....	29
<b>7.</b>	<b>DIP SWITCH SETTING .....</b>	<b>31</b>
<b>8.</b>	<b>PRINT CONTROL FUNCTION.....</b>	<b>32</b>
8.1	Control code list .....	32
8.2	Input data format.....	33
<b>9.</b>	<b>CHARACTER SET .....</b>	<b>48</b>
9.1	Japanese character code table.....	48
9.2	International character code table .....	49
9.3	Character code table.....	50
<b>10.</b>	<b>OUTLINE DRAWING.....</b>	<b>52</b>

## 1. OUTLINE

CBM-920 is an Impact Dot Matrix printer used for various data communication, POS terminal and various systems. CBM-920, a compact type printer with rated into a rack, etc., can serve to print, on in serial or parallel mode. Prior to actual use, please read this instruction carefully for your correct understanding.

### 1.1 Features

1. Ultra small-sized rack mounting dot matrix printer
2. Extremely light weight
3. High speed printing
4. Paper end detecting function
5. Auto loading function
6. Conforming to RS-232C and Centronics
7. 24 columns model and 40 columns
8. A number of initialization function

### 1.2 Accessories

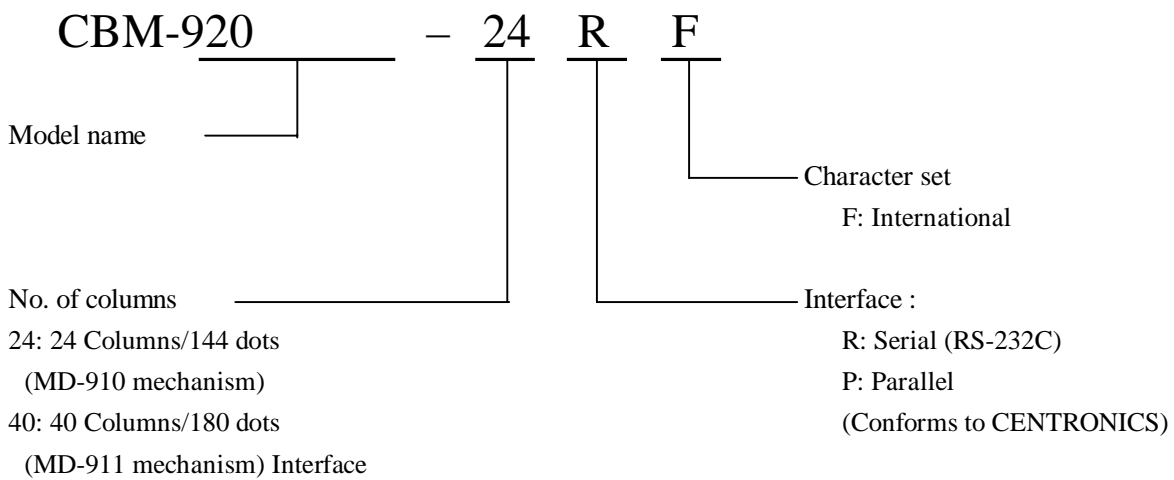
This set, besides the printer main unit, contains the following accessories:

Roll paper	(× 1)
Ribbon cassette	(× 1)
I/F cable	(× 1)
Rack mounting bracket	(× 1)
Screw for mounting	(× 2)
Wire	(× 1)
Instruction Manual	(× 1)

## 2. GENERAL SPECIFICATIONS

### 2.1 Model classifications

CBM – 920	–	24	R	F
		40	P	



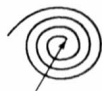
### 2.2 Power Supply

Prepare power supply having voltage of +5V and current capacity of 2.5A or more.

### 2.3 Cautions for Roll Paper

Appearances:      Make sure that the beginning of roll paper to the inner core must be as follows.

1. No fold. Paper must be rolled into the inner core
2. No flap
3. Do not paste the paper to the core. (If an inner core is available)



Beginning of rolling



Example for no good

Recommended paper:

One ply paper ..... 45 ~ 55 Kg/1000 pcs/1091 x 788 mm

2 ply paper ..... No carbon paper Original paper (34 Kg paper)+copy paper 1 pcs (34 Kg paper)

Total thickness 0.13 mm or less

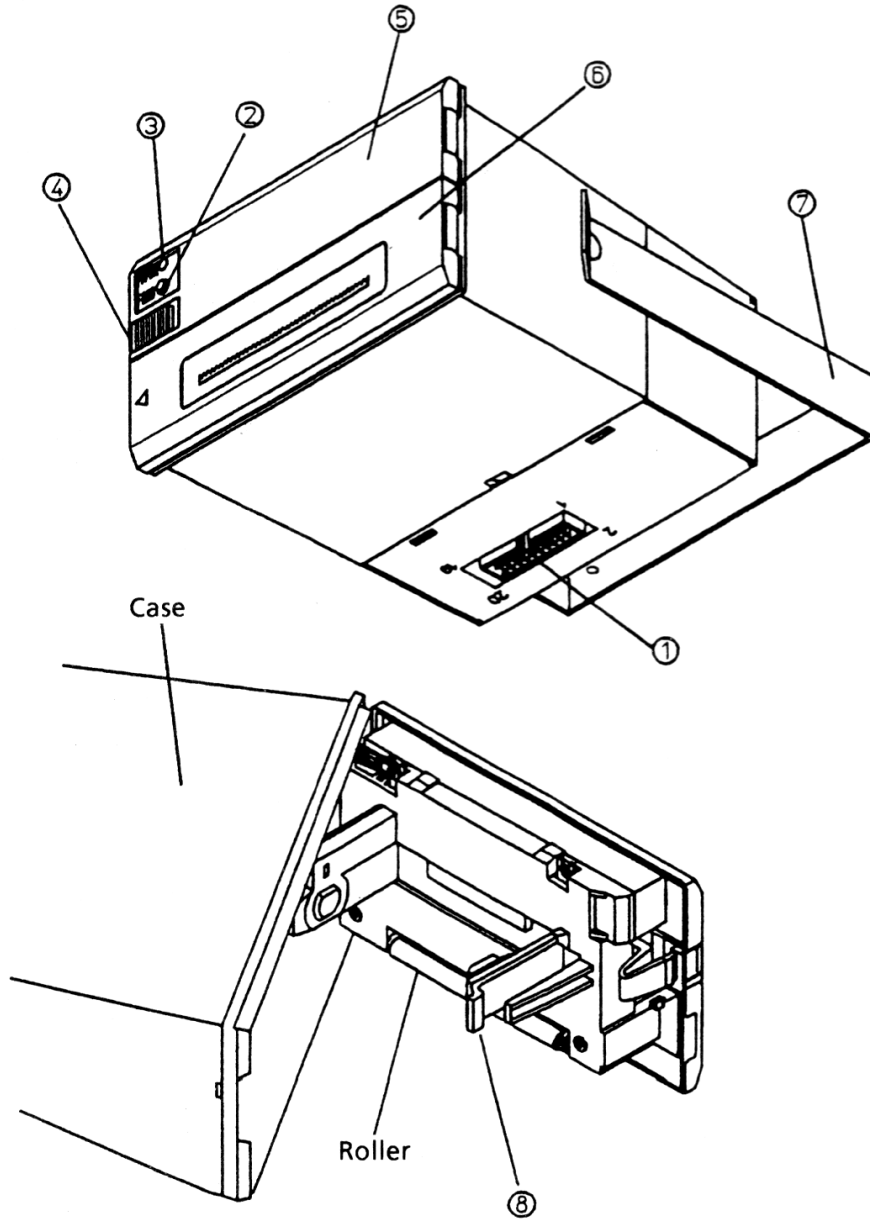
## 2.4 Specifications

	ITEM	CBM-920-24 **	CBM-920-40**
1	Printing method	Dot matrix method	
2	Printing direction	Single-direction print (normal character/inverted character)	
3	Character configuration	$(5 + 1) \times 8$	$(4 + 0.5) \times 8$
4	No. of columns	24 columns: 144 dots/line	40 columns: 180 dots/line
5	Printing speed	Approx. 2.5 line/sec.	Approx. 1.8 line/sec.
6	Character size	$1.62 \times 2.4$ mm	$1.08 \times 2.4$ mm
7	Line pitch	3.52 mm	
8	Paper	Roll paper $57.5 \pm 0.5$ (W) $\times$ 50 (D)mm Inner diameter $\phi 12 \pm 1$ mm	
9	Interface	Serial interface (RS232C) or parallel interface (Centronics)	
10	Input buffer	2K byte	
11	Paper near end detection	When print paper goes to the near to end, the data receiving is stopped. And then printing is stopped after printing the data in the buffer.	
12	Auto loading	When new paper is set into Paper inlet of Mechanism paper is automatically fed.	
13	International character codes	Character of 8 different countries is available by DIP switch setting. ( Japan/U.S./France/Germany/U.K/Italy/Spain/Denmark) By command setting, above countries plus additional one (Sweden) can be set.	
14	Ink ribbon	Purple	
15	Supply voltage	DC5V $\pm$ 5% (printing voltage) Approx. 2.5A Approx. 4A (duty 10%) at peak Use external power supply.	
16	Average power consumption	At printing: Approx. 7 VA At no printing: Approx. 0.7VA	
17	Weight	Approx. 500g (incl. mounting brackets)	
18	External dimensions	115 (W) $\times$ 65 (H) $\times$ 119 (D) mm	
19	Fitting hole dimensions	$109$ (W) $\times$ $62$ (H) $_{-0.5}^0$ mm	
20	Operating temperature	0 ~ 40°C	
21	Storage temperature	-20 ~ 60°C	
22	Safety and EMI Standard Applied (EMI is measured with packaged power supply)	For Europe: Safety Standard TUV: EN60950: 1992 + A1 + A2 + 1993 For North America: EMI FCC class A Safety Standard UL: USR UL/950 - 3th C-UL: CNR CAN/CSA C22.2 No. 550-95	



### 3. OUTER APPEARANCE AND EXPLANATION OF EACH PART

#### 3.1 Outer Appearance and Explanation of Each Part



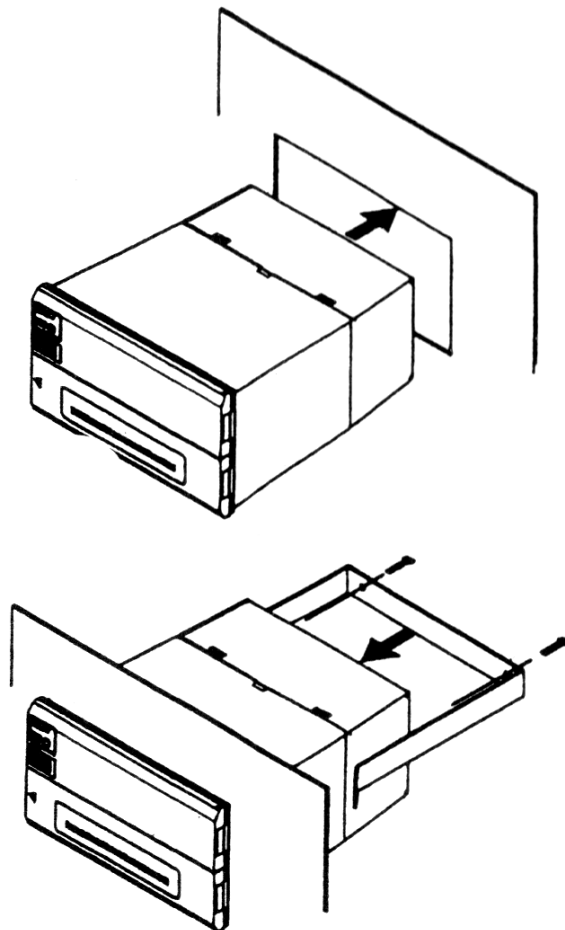
### 3.2 Explanation of Each Part

- ① Interface Connector      Connected to various hosts via cables. On connection, confirm beforehand that power supply of the host and the printer are OFF. The power cable, also, is held in this connector.  
Make sure to connect FG terminal with an earth. Do not connect this terminal with the lines except for an earth.
- ② Feed Switch              With this switch pressed, paper is fed. Use this to insert paper and to put space. With pushing this switch, power is turned ON, self-print function is conducted.
- ③ Paper Lamp              Lights up when paper has become scarce or run out.  
(Only when Paper Near End/Paper End function has been set.)  
Put out when paper has been inserted.
- ④ Knob                      Use this to set paper or to open the front cover on changing of paper.
- ⑤ Front Cover              Open/close this on setting or changing of paper.
- ⑥ Ribbon Cover            Open/close this to change ink ribbon.  
This opens when the left side of the front face is pulled forward.
- ⑦ Mounting bracket        Use this to fix the main body to a rack, etc.
- ⑧ Paper Holder            Paper setting section.  
Placing paper from the insertion port, set paper.

## 4. OPERATION

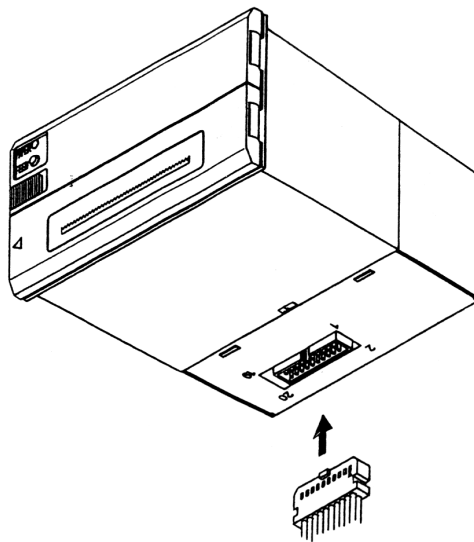
### 4.1 Rack Mounting

- (1) As in the following drawing, insert the main body into the rack.
- (2) Inserting the main body on the rear side with mounting bracket, fasten the main body with the screws.  
Pay attention not to tighten screws excessively.
- (3) After fixing, confirm opening/closing of the front panel, etc..
- (4) In fastening screws, do not fasten the screws until the main body is deformed.  
This may be an abnormal force on the main body as well as be a cause of breakage.
- (5) The thickness of rack panel to fix the main body is to be approx. 1~3 mm.



## 4.2 Power Supply Connection

- (1) Confirm that the main power supply, etc. are OFF.
- (2) Prepare power supply satisfying the power voltage and current capacity having been specified in the specifications.
- (3) Firmly connect, in appropriate direction, the power supply and the main body through using the attached cable. The connector is at the bottom of the main body as shown in the drawing. This cable is integrated with the communication cable. The power cable is larger than the communication cable, which is colored in red and in orange for +5V use and in black for GND.
- (4) Connect a power supply cable to the power supply. Pay attention not to connect power supply cable in reverse polar.



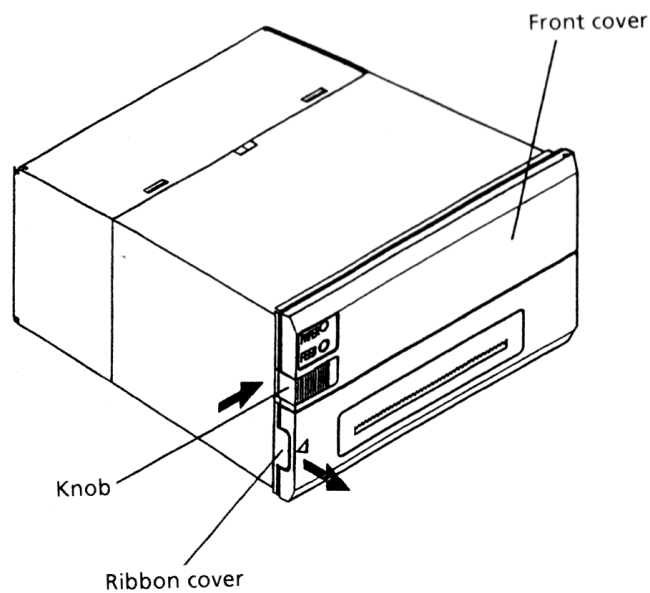
## 4.3 Panel Opening/Closing

### 4.3.1 Opening/Closing of Front Panel

- (1) Applying your finger on the projection on the left side of the front panel, pull it forward when the lock is released. It opens by about 180° centering around the fixed axis.
- (2) For closing, pressing the front panel, tightly close it until click sound is heard. Also, confirm, on closing, that paper is free of slackening.

### 4.3.2 Opening/Closing of Ribbon Cover

- (1) When paper is out of the front cover, cut it off.
- (2) Applying your finger on the dent on the left side of the ribbon cover, pull it forward. It opens by about 180° centering around the fixed axis.
- (3) For closing, pressing the ribbon cover, close it tightly.



#### 4.4 Paper Feeding

With the LF switch pressed once, paper is fed by one line.

Paper is fed while it is continuously pressed.

To feed paper, do not pull it forcibly. Use the LF switch.

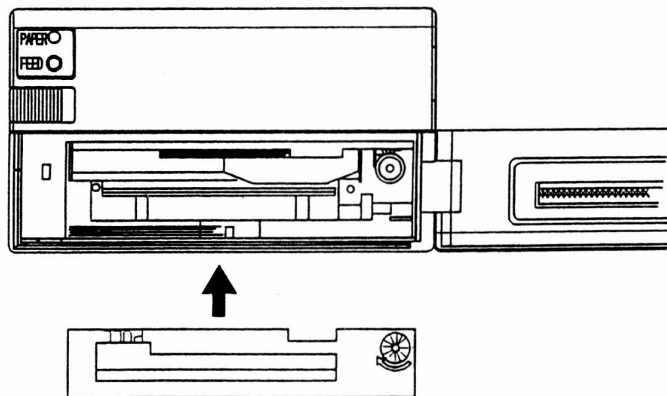
During pressing the LF switch, the data can not be received.

#### 4.5 Setting Ribbon Cassette

- (1) Open the ribbon cover. Be sure to turn off power before opening it.
- (2) In case the paper is out from front cover, cut the paper or remove this paper.
- (3) Confirming the correct direction of a new ribbon cassette, insert ribbon between the printing head and the platen and press cassette down from the knob side.
- (4) Turning the ribbon cassette knob in the arrowed direction, remove slack.
- (5) On replacing a ribbon cassette, pull it out as holding the "PULL" part.

## **REMARK**

- In case the ribbon cassette is kept setting in printer so long time, there may be the case to make a paper dirty.  
And in case of continuous printing under low temperature, light print may be occurred due to the characteristic of the ink.
- Do not conduct printing with no ribbon cassette, this may damage a print head.
- Replace ribbon cassette before wearing out completely.
- Use exclusive ribbon cassette.



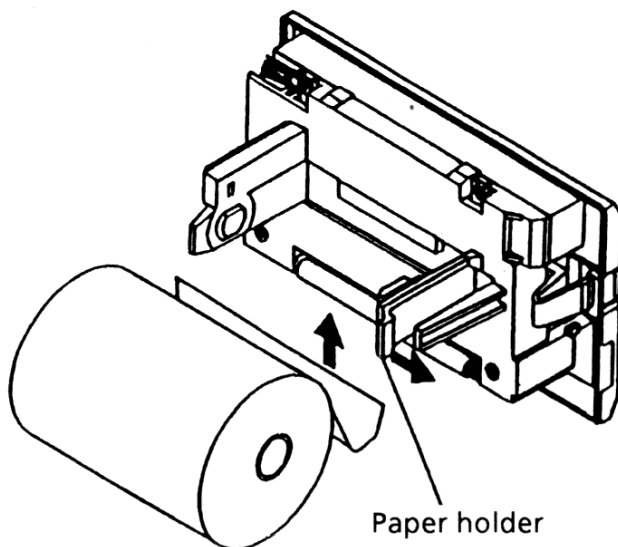
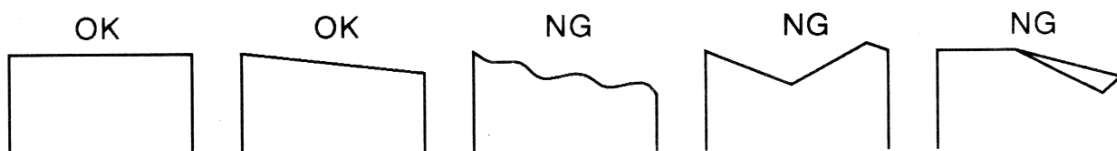
## 4.6 Setting Printing Paper

- (1) Open the front cover.
- (2) Cut the edge of Printing Paper as the following drawing.
- (3) Insert the paper into the paper insertion of the printer mechanism.  
When auto loading function is specified, paper is loaded automatically.  
When auto loading function is not specified, push the LF switch until the paper enters the printer mechanism.
- (4) By holding the paper holder in the arrowed direction, insert paper roll and make sure paper holder hold the core.

- (5) Eliminating slack on the printing paper, close the front panel.
- (6) To change paper, as holding the paper holder in the arrowed direction, re-move the core. Remove, at this time, excessive paper by using the LF switch.  
 After setting the paper, press LF switch once.  
 Then, printer goes to data input printing mode.

**! REMARK**

- Keep the paper winding direction correct.
- While in replacing of paper, do not send data from host terminal.
- Do not pull the paper in reverse direction of paper feed. This may cause abnormality of print head.
- In case the paper is fed diagonally in paper supplying side or paper removing side, paper jam may occur. In this case, turn OFF the power switch immediately and pull out the excessive paper slowly at straight direction.





## 4.7 Self-Printing Function

- (1) Test Printing By supplying power as pushing the LF switch, the characters for use, ROM version, DIP switch setting, and model name can be printed.

After test printing, perform ordinary operation.

By sending RESET signals as pushing the LF switch, perform test printing.

During self printing, BUSY signal is being outputted.

In this test printing, the following information is printed.

- 1) Specified country for international character
- 2) CR + LF function
- 3) Direction of print character
- 4) Communication condition (Serial interface only)

- (2) Hex decimal dump mode

In this mode, all of the data sent from the host is printed at Hex decimal code. In case that the data of last line is not enough for one line, the data of last line is printed by pressing LF switch.

This mode can be available by turning ON the Dip Switch DS1-8.

After Power is ON (after printing, if self print is conducted), this mode is available.

This mode can be kept until Power is OFF.

To change to normal print mode, turn Power OFF after turning Dip switch DS 1-8 OFF, and then turn Power ON.

This function is only available for 40 columns model.

This function is not available for 24 columns model.

### Example of printing at dump mode. (40 columns model)

31	32	33	34	35	36	37	38	1	2	3	4	5	6	7	8
39	3A	3B	3C	3D	3E	3F	40	9	*	+	-	=	/	@	
41	42	43	44	45	46	47	48	A	B	C	D	E	F	G	H
49	4A	4B	4C	4D	4E	4F	50	I	J	K	L	M	N	O	P
51	52	53	54	55	56	57	58	Q	R	S	T	U	V	W	X

## 4.8 Paper Near End Sensor, Paper End Sensor, and Mechanical Alarm

### 4.8.1 Paper Near End

When the paper is getting low, the paper near end is detected and printing is stopped. Power supply to the printing solenoid and motor is immediately stopped and BUSY PE signals are outputted to the host.

When data still exists in the input buffer, the remaining data in the buffer is printed before stopping.

Discharge remaining paper with the LF switch, set new paper and push the LF switch. Then normal print mode is created after cancellation of BUSY and PE output.

This function can be selected by Dip Switch setting.

### 4.8.2 Paper End

Whether there is printing paper or not is detected. With printing paper running out, printing stops and BUSY and PE signal is outputted.

Printing is also stopped even when data remains in the input buffer.

Discharge paper with the LF switch, set new paper and push LF switch. Then BUSY PE is canceled.

When auto loading function is available, printer automatically feeds recording paper at a few lines by inserting the recording paper into the paper inlet.

### 4.8.3 Mechanical Alarm

When occurrence of trouble in the mechanism is judged by locking of the motor, power supply to the printing solenoid and motor is stopped and BUSY signals as well as FAULT signals are output to host terminal.

To recover from alarm state, after removing trouble causes, either re-supply power or input RESET signals.

For severe trouble, turn power off and leave this repair to service personnel.

## 4.9 Auto Loading Function

This printer is equipped with function which can automatically load paper. With paper inserted, it is automatically fed by a few lines. When printing paper is diagonally or not properly fed, take out paper softly and insert it once again.

If not using this function, cancel this with the DIP switch. Paper insertion is, then, performed with the LF switch.

After paper is inserted, with the LF switch pressed and detached, print ready state is created.

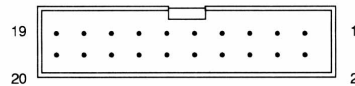
## 5. PARALLEL INTERFACE

### 5.1 Specifications

- 1) Data input method: 8 bit parallel method (DATA 1 ~ 8)
- 2) Control signal:  $\overline{\text{ACK}}$ ,  $\overline{\text{STB}}$ ,  $\overline{\text{BUSY}}$ ,  $\overline{\text{RESET}}$ ,  $\overline{\text{FAULT}}$ , PE
- 3) Power supply cable: +5V, GND, and FG
- 4) Applicable connector: Printer side: HIF3F-20PA-2.54DS (HIROSE)  
Cable side: HIF3C-20D-2.54C (HIROSE)

### 5.2 Connector Pin's Configuration

PIN	SIGNAL NAME	PIN	SIGNAL NAME
1	$\overline{\text{STB}}$	11	BUSY
2	DATA 1	12	PE
3	DATA 2	13	$\overline{\text{FAULT}}$
4	DATA 3	14	$\overline{\text{RESET}}$
5	DATA 4	15	GND
6	DATA 5	16	FG
7	DATA 6	17	+5V (for circuit)
8	DATA 7	18	GND
9	DATA 8	19	+5V (for mechanism)
10	$\overline{\text{ACK}}$	20	GND



### 5.3 Explanation of Input/Output Signals

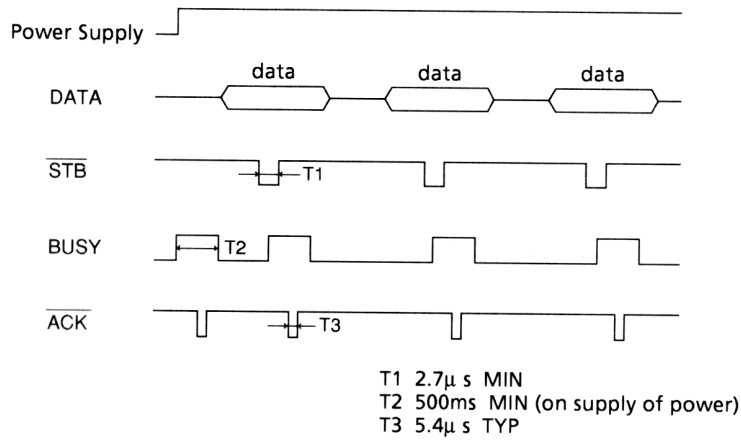
#### 1) Input Signals into Printer

DATA 1 .....	8 bit parallel signal (positive logic)
DATA 2 .....	8 bit parallel signal (positive logic)
DATA 3 .....	8 bit parallel signal (positive logic)
DATA 4 .....	8 bit parallel signal (positive logic)
DATA 5 .....	8 bit parallel signal (positive logic)
DATA 6 .....	8 bit parallel signal (positive logic)
DATA 7 .....	8 bit parallel signal (positive logic)
DATA 8 .....	8 bit parallel signal (positive logic)
$\overline{\text{STB}}$ .....	Strobe signal to read 8 bit data (negative logic)
$\overline{\text{RESET}}$ .....	Signal to reset the whole printer (negative logic)
	4 ms or more

#### 2) Output Signals from Printer

$\overline{\text{ACK}}$ .....	8 bit data request signal (negative logic)
BUSY .....	Signal to show BUSY state. Input new data at "LOW" (positive logic)
PE .....	Signal to indicate shortage of paper (positive logic)
$\overline{\text{FAULT}}$ .....	Signal to indicate occurrence of trouble, such as mechanical alarm (positive logic)

3) Timing Chart



5.4 Electrical Characteristics

1) Input Signal Level

The input signal level is HCMOS.

- "HIGH" level : 4.0V MIN
- "LOW" level : 1.0V MAX

2) Output Signal Level

BUSY signal level is HCMOS. Other signals are sent at TTL level.

For HCMOS level

- "HIGH" level : 4.0V MIN
- "LOW" level : 1.0V MAX

For TTL level

- "HIGH" level : 2.4V MIN
- "LOW" level : 0.4V MAX

3) I/O Conditions

Input Signal

DATA

STB

RESET

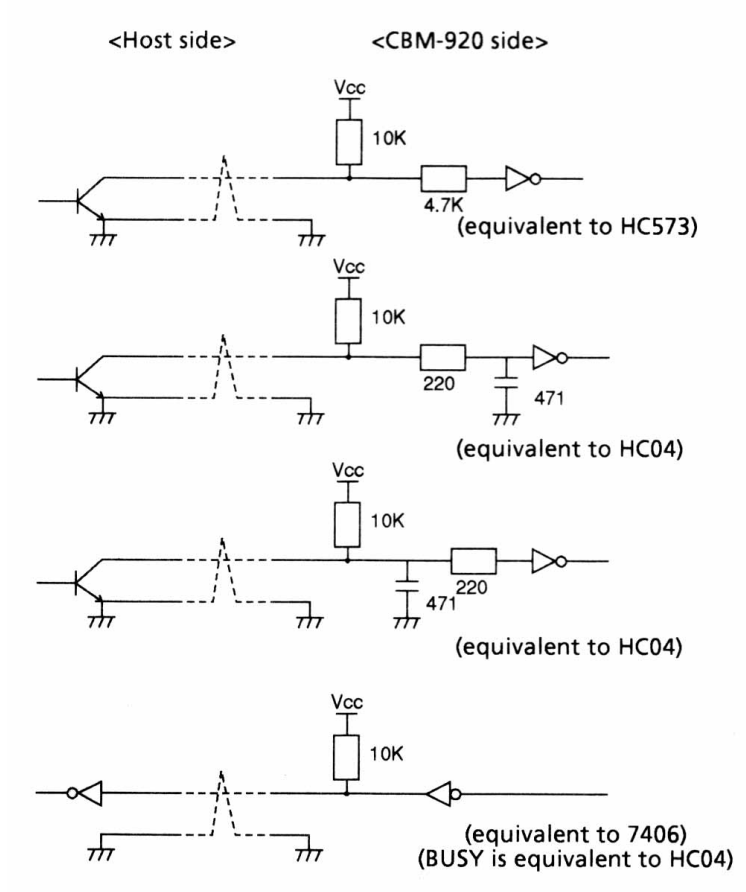
Output signal

ACK

BUSY

FAULT

PE



## 6. SERIAL INTERFACE

### 6.1 Specifications

- 1) Synchronization system : Asynchronous system
- 2) Baud rate : 1,200/2,400/4,800/9,600BPS (selectable by user)
- 3) 1 -word configuration : Start bit : 1 bit  
 : Data bit : Stop bit 7 or 8 bits (selectable by user)  
 : Parity bit : Odd, even, no parity (selectable by user)  
 : Stop bit : 1 bit or more
- 4) Data I/O signals : R × D, T × D (RS-232C)
- 5) Control signals : DTR,  $\overline{\text{RESET}}$ ,  $\overline{\text{FAULT}}$ , PE
- 6) Signal polarity : RS232C ( Mark: logic "1"(-3V ~ -12V)  
 ( Space logic "0"(+3V ~ +12V)  
 TTL, CMOS ( H level: logic "1"  
 ( L level: logic "0"
- 7) Power cable : +5V,GND and FG
- 8) Applicable connector : Printer side: HIF3F-20PA-2.54DS (HIROSE)  
 Cable side: HIF3C-20D-2.54C (HIROSE)



## 6.2 Connector Connection Diagram

PIN	SIGNAL NAME	PIN	SIGNAL NAME
1 ~ 8	N.C (not connected)	15	GND
9	R × D	16	FG
10	T × D	17	+5V(for circuit)
11	DTR	18	GND
12	PE	19	+5V(for mechanism)
13	$\overline{\text{FAULT}}$	20	GND
14	$\overline{\text{RESET}}$		

## 6.3 Explanation of Input/Output Signals

### 1) I/O Signals into Printer (RS-232C)

- T × D (TRANSMIT DATA)

Serial transmit data signals.

- R × D (RECEIVE DATA)

Serial received data signals.

- DTR (DATA TERMINAL READY)

When this signal is in Ready (space), send data or a command.

If sending takes place in Busy (mark), overrun error is occurred.

Even in printing, data can be sent into the input buffer. If this signal is in Ready.

Further, Busy takes place also on supply of power, in test printing, on-line status or on occurrence of resetting.

2) Input Signals into Printer

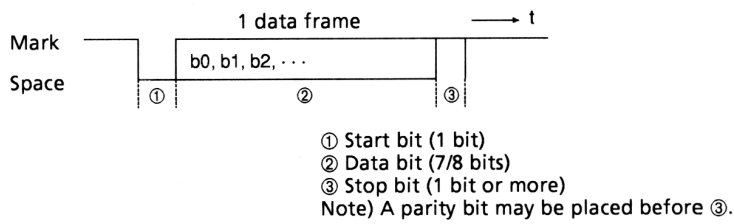
$\overline{\text{RESET}}$ ..... Signal to reset the whole printer (negative logic) 4 ms or more

3) Output Signals from Printer

$\overline{\text{PE}}$ ..... Signal to indicate shortage of paper (positive logic)

$\overline{\text{FAULT}}$ ..... Signal to indicate occurrence of trouble such as mechanical alarm (positive logic)

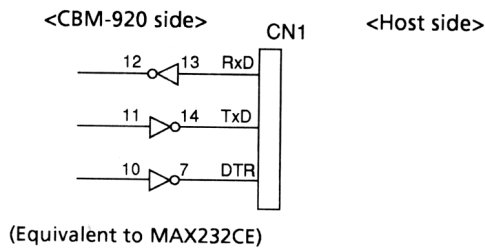
4) Data Configuration



### 6.4 Electrical Characteristics

1) RS232C I/O signals (R × D, T × D, DTR)

Input (R × D)	}	Mark =	(-8V)	: stop bit
Output (T × D)		Space =	(+8V)	: start bit
Output (DTR)		Mark =	(-8V)	: stop bit
		Space =	(+8V)	: start bit

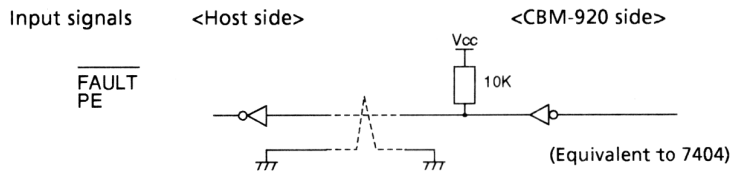


2) Input Signal Level ( $\overline{\text{RESET}}$ )

The input signal level is at TTL.

"HIGH" level : 2.4V MIN

"LOW" level : 0.4V MAX



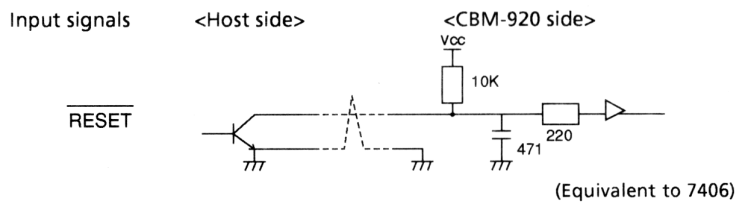
3) Output Signal Level ( $\overline{\text{FAULT}}$ , PE)

The output signal level is at TTL.

For TTL level

"HIGH" level : 2.4V MIN

"LOW" level : 0.4V MAX



## 6.5 Error Detection

- Communication Error

- 1) Parity Error      In checking of odd/even parity based on parity checking assignment, when parity is found nonconforming.
- 2) Framing Error    In detection of stop bit when space state has been detected.
- 3) Overrun Error    Regardless of data being held in receiving buffer register, when next data are transmitted to the receiving buffer register.

On occurrence of the above mentioned error, the data concerned is converted into '■' (7FH) which is printed.

- Receiving Control and Buffering

The CBM-920, on receiving of print data, performs receiving control (DTR control) in one-word unit. At this time, when the host side has performed data transmit as ignoring DTR, overrun of received data can take place. This state should be avoided by the host side on its own responsibility. (No follow-up can be applied to a data effluent type host.)

## 7. DIP SWITCH SETTING

### DS1

Switch No.	Function	OFF	ON	Factory Setting
1	International character	See the table below		*
2				*
3				*
4	CR function	CR ignored	CR + LF	OFF
5	Character direction	Erecting character	Inverted character	OFF
6	Paper near end function	Enabled	Disabled	OFF
7	Auto loading function	Enabled	Disabled	OFF
8	Hex. Dump mode	Disabled	Enabled	OFF

\* changes in setting according to destination.

Hex. Dump mode is not available with 24 columns version.

### International Character Setting

International Character Setting Switch No.	U.S	France	Germany	U.K	Denmark	Italy	Spain	Japan
1	OFF	ON	OFF	ON	OFF	ON	OFF	ON
2	OFF	OFF	ON	ON	OFF	OFF	ON	ON
3	OFF	OFF	OFF	OFF	ON	ON	ON	ON

### DS2

Switch No.	Function	OFF	ON	Factory Setting
1	Bit length	8 bits	7 bits	OFF
2	Parity	No	Yes	ON
3	Parity conditions	Odd	Even	OFF
4	Baud rate	See the table below.		OFF
5				ON

### Baud Rate (bps) Setting

Switch No.	1,200	2,400	4,800	9,600
4	OFF	ON	OFF	ON
5	OFF	OFF	ON	ON

\* DS2 setting is available only for Serial interface

## 8. PRINT CONTROL FUNCTION

### 8.1 Control code list

Character	CODE	Function
LF	0A	Line feed after printing
CR	0D	Line feed after printing
SI	0F	Specifying standard character
SO	0E	Specifying double wide character
US	1F	Specifying standard character
RS	1E	Specifying double wide character
CAN	18	Data cancellation
DC2	12	Specifying inverted character
DC1	11	Initial setting
ESC + "B"	1B, 42	Specifying continuous paper feed
ESC + "R"	1B, 52	Specifying international character
ESC + " / "	1B, 2F	Registration of sentence
ESC + " ! "	1B, 21	Printing registered sentence
ESC + "&"	1B, 26	Defining the download character
ESC + "%"	1B, 25	Download character valid / invalid
ESC + "K"	1B, 4B	Bit image printing
FS + "W" + 1	1C, 57,1	Specifying double wide and double high character
FS + "W" + 0	1C, 57, 0	Cancellation of double wide and double high character

## 8.2 Input data format

(1) Line feed command after printing (CR, LF)

By inputting of CR (ODH) code, printer prints the data in print buffer. In case there is no print data in print buffer, only line feed is performed. And this command is ignored right after buffer full status. CR can be ignored by DIP switch setting.

For example) 24 columns model

**<Receiving data>**

1 2 3 4 5 6 7 8 9 0 1 2 3 4 5 6 7 8 9 0 1 2 3 4	CR	LF		
1 2 3 4 5 6 7 8 9 0 1 2 3 4 5 6 7 8 9 0 1 2 3 4	CR	LF	CR	
1 2 3 4 5 6 7 8 9 0 1 2 3 4 5 6 7 8 9 0 1 2 3 4	CR	LF	CR	LF

**<Print Result>**

① **Dip switch setting : CR = CR + LF**

1 2 3 4 5 6 7 8 9 0 1 2 3 4 5 6 7 8 9 0 1 2 3 4

S P A C E

1 2 3 4 5 6 7 8 9 0 1 2 3 4 5 6 7 8 9 0 1 2 3 4

S P A C E

S P A C E

1 2 3 4 5 6 7 8 9 0 1 2 3 4 5 6 7 8 9 0 1 2 3 4

S P A C E

S P A C E

S P A C E

Head stop position

② **Dip switch setting : CR = Ignored**

1 2 3 4 5 6 7 8 9 0 1 2 3 4 5 6 7 8 9 0 1 2 3 4

1 2 3 4 5 6 7 8 9 0 1 2 3 4 5 6 7 8 9 0 1 2 3 4

1 2 3 4 5 6 7 8 9 0 1 2 3 4 5 6 7 8 9 0 1 2 3 4

S P A C E

Head stop position

(2) SI, SO and US, RS command

In case the 8 bit data is specified (data bit length of serial communication), the function of SI and SO codes is same as the function of US and RS. But in case 7 bit data is specified, SI, SO works for specifying of SI side (characters from 20H to 7FH) and for specifying of SO side (characters from A0H to FFH)

① Standard character specifying (SI, US) command By inputting SI (0FH) and US (1FH) codes, printer cancels the double wide characters and the data after this command is printed in standard characters.

The characters can be canceled by this command is only double wide character, double wide and double high character can not be canceled.

② Double wide character specifying (SO, RS) command By inputting SO (0EH) and RS (1EH) into the nominated columns, the data after this command is printed in double wide character. This is canceled by line feed operation or inputting SI or US command. Although both of standard character and double wide character can exist in one line.

When the total characters goes to 24 (40) columns on the basis of calculation at standard character basis, printer performs automatic printing (buffer full printing)

<Receive data>

SO	1	2	3	4	5	6	7	8	9	0	CR
----	---	---	---	---	---	---	---	---	---	---	----

SO	1	2	3	SI	A	B	C	D	CR
----	---	---	---	----	---	---	---	---	----

SO	1	2	3	SI	A	B	C	SO	1	2	CR
----	---	---	---	----	---	---	---	----	---	---	----

A	SO	1	2	3	4	5	6	7	8	9	0	1	B
---	----	---	---	---	---	---	---	---	---	---	---	---	---



**<Print result>**

```

1 2 3 4 5 6 7 8 9 0
1 2 3 ABCD
1 2 3 ABC 1 2
A 1 2 3 4 5 6 7 8 9 0 1 B

```

Mixed printing

Although the last character is specified at double wide character, this is 24<sup>th</sup> columns and only this character is printed at standard character. (In case 40 columns version, this may happen at 40<sup>th</sup> columns.)

(3) Data cancellation (CAN) command

In inputting of CAN (18H) code, all of the data before CAN code at same one line is canceled.

**<Receiving data>**

SO	1 2 3 4 5 6	CAN	ABC	CR
----	-------------	-----	-----	----

**<Print result>**

```

A B C

```

\* "SO" command is not canceled and "123456" is canceled. Therefore, "ABC" are printed at double wide characters.

(4) Inverted character specifying (DC2) command

By inputting data adding DC2 (12H) into the beginning of the line, (in case of adding this command into the position except for the beginning of line, this command is ignored.) all of the data after this command is printed at inverted character.

Cancellation of inverted character is conducted by inputting DC2 again or DC1 (initial setting).

In case inverted character is specified by dip switch setting, all of this operation goes to opposite way.

(5) Initial set (DC1) command

By inputting DC1 (11H), each condition specified after power is ON is canceled and printer goes to initial condition same as the condition right after power is ON.

But, the data in input buffer is not changed.

(6) Continuous line feed specifying (ESC + "B" + n)

By inputting ESC (1BH) + "B" (42H) + n code, printer performs continuous line feeding at n dot lines.

But, n is to be within  $4 \leq n \leq 255$  and must be even number. In case odd number is specified for n, this is to be concerned as even data of "n - 1".

And in case that n is specified at the out of available range, this command is automatically ignored.

When inputting this command, in case there is some data in the input buffer, printer prints the data. But the printed line (10 dots line) is included in the volume of line feed n Therefore in case  $n$  is  $4 \leq n \leq 9$  line spacing may go to "0".

(7) International character specifying command (ESC + "R" + n)

By inputting ESC (1BH) + "R" (52H) + n code, the character after this command is set at the characters table of specified country.

The value of n and setting of each countries

n	Country	n	Country
0	U.S.A.	5	Sweden
1	France	6	Italy
2	Germany	7	Spain
3	U.K.	8	Japan
4	Denmark		

Remarks: In case the value of n is out of the above range, Country is set automatically at U.S.A.

When power is ON, initial setting varies depending on Dip Switch setting.

(8) Registration of sentence command (ESC + "/" + n )

By inputting ESC (1BH) + "/" (2FH) + n 'Registration of sentence' command, the data of 24 (40) bytes following after n is registered.

The data between 1 to 8 is to be specified as the data for n.

In case that the data of n is specified out of this range, the data following after this command is recognized as normal print data, the registration is not conducted and printer prints the data immediately.

In case the registered data already exists at n, previous data is automatically canceled and new data is overwritten.

The total of this data must be below one line and the end of this data must be finished by CR (0DH) or LF (0AH).

In case the data over 24 (40) is registered, although the data below 24 (40) can be registered properly, the data over 24 (40) is printed as normal print data.

ESC command can not be registered.

(9) Printing registered sentence (ESC + "!" + n)

By inputting ESC (1BH) + "!" (21H) + n, printer prints the sentence registered at the value specified by n.

The data between 1 and 8 is to be specified for n. In case the data is registered out of this range, this transaction is not conducted.

Remarks 1) Although the data can be registered at 24 (40) bytes, in case the data goes over 24 (40) columns (for example, in case double width or double width and double height is specified in this registration.) Printer prints the data by 24 (40) columns and the columns over 24 (40) columns is fed to the next line. Make sure to register the characters concerning the actual print results.

Remarks 2) In case double wide and double high or inverted characters are specified in this registration, as far as this setting is not canceled, printer prints the data following this setting.

Example 1)

**<Receiving data>**

ESC	/	1	This is a pen	CR	.....	Sentence is registered to 1.
ESC	/	9	Is This a pen?	CR	.....	can not be registered to 9.
ESC	/		It is a pen	CR	.....	The registered sentence is overwritten on the sentence registered in previous 1.
ESC	!	!			.....	prints the sentence registered in 1.

**<Status of registration>**

1	It is a pen
2	
3	
4	
5	
6	
7	
8	

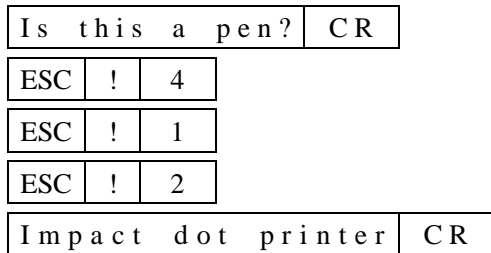
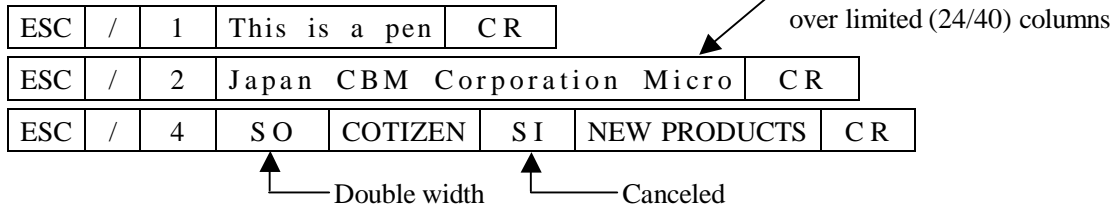
**<Print Result>**

Is this a pen ?	← Since the 'n' of this sentence is 9 which is out of 1 ~ 8, immediate printing was conducted as normal print data.
It is a pen	

↑ printed by ESC + "!" + 1

Example 2)

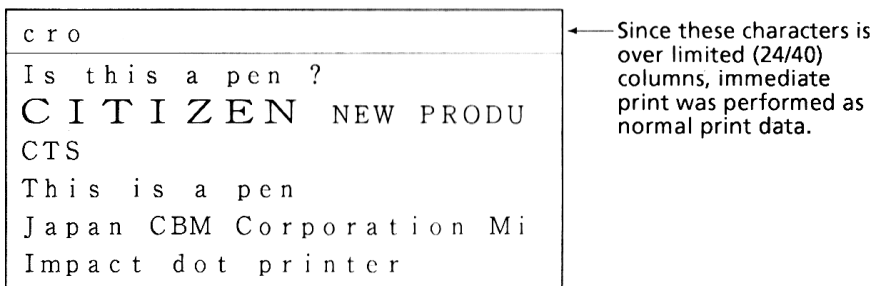
**<Receiving data>**



**<Status of registration>**

1	This is a pen
2	Japan CBM Corporation Mi
3	
4	SO    CITIZEN    SI    NEW PRODUCTS
5	
6	
7	
8	

**<Print Result>**



Example 3)

**<Receiving data>**

ESC	/	1	FS	W	1	JAPAN	CBM	CR
-----	---	---	----	---	---	-------	-----	----

↑ Register by double wide and double high characters.

JAPAN	CBM	CR
-------	-----	----

ESC	!	1
-----	---	---

JAPAN	CBM	CR
-------	-----	----

**<Status of registration>**

1	FS	W	1	JAPAN	CBM
2					
3					
4					
5					
6					
7					
8					

**<Print Result>**

JAPAN	CBM
JAPAN	CBM
JAPAN	CBM

← Prints the characters registered by double wide and double high characters. Although normal printing was requested with no specifying print condition, printer prints the data following print condition of double wide and double high characters due to the previous print condition was not canceled.

## (10) Defining the download character command (ESC + "&amp;")

## ① In case of 24 columns mode

By inputting ESC (1BH) + "&" (26H) + A1 + A2 code and the pattern data following after this code, nominated pattern can be registered.

Maximum numbers of characters can be registered are 8 characters and this can be registered into the nominated address range between 20H and FFH.

Make sure that in case new data is registered to the address range already has old data, the old data is automatically overwritten and new data is registered.

Furthermore, in case the data over 8 characters is registered, all of the previous data is cleared automatically.

## [Specifying address]

The specified address conforms to the character codes and these characters can be accessed as well as the internal characters after registration.

In case any internal characters already exists in the address specified for registered characters, the internal characters are replaced.

A1 means the address of start to be registered and A2 means the address of finish to be registered.

## [Data transmission method]

d-1) In case of one character registration The address is to be specified from the 20H ~ FFH, then the specified address is considered as A1. In case of one character registration, the address of start and finish are to be same. Therefore, A1 = A2.

<Example> One full dot pattern of 6 × 8 dots matrix is registered to address 41H. (The code of internal character "A".) (Number is Hex. Mode.)

```
ESC + "&" + A1 + A2 + "Pattern data (6 bytes)"
IB  26  41  41  FF•FF•FF•FF•FF•FF
```

After the above control, in case the character code of 41H is specified, full dot printing of 6 × 8 dot matrix printing is performed. (Character "A" can not be accessed to.)

d-2) In case of multi-characters registration

By conducting one character registration continuously, 8 characters can be registered at maximum.

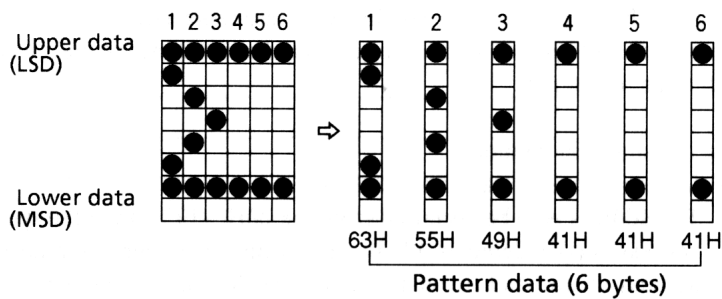
In case multi-characters are registered into continuous address (character codes), in specifying the address to start registration is A1 and the address to finish registration is A2, maximum 8 characters can be registered.

Remarks)  $A1 < A2, A2 - A1 = < 7$

[Configuration of pattern data] In case of 24 columns model

The pattern data to be registered for one character is 6 byte. This means the pattern comprises  $6 \times 8$  dots matrix is decomposed to 6 portions divided to the direction of lengthwise. The data of 6 bytes in total is to be transmitted as each one bytes data.

<Example> In case the following pattern file is transmitted.



[Print of registered characters]

In case of printing the registered characters, these characters are printed by command (CR, LF, ESC + "B" + n) at same print condition as the other internal characters.



② In case of 40 columns model (ESC + "&" + C1 + A1 + A2)

In inputting ESC (1BH) + "&" + C1 + A1 + A2 and the pattern data following after these codes, nominated pattern can be registered.

The total numbers of characters can be registered are 224 characters and these characters can be registered into the nominated address between the range of 20H ~ FFH.

But in case new pattern is registered into the address has already old pattern, the old data is automatically cleared and new pattern is registered.

[The upper bit use ]

The data is specified in parameter C1 to recognize whether the registered character is using the upper bit or not.

C1 = 0 (00H) : The upper bit is not used.

C1 = other than 0 : The upper bit is used.

Even if the upper bit is used, 0 is specified in this parameter, in case of double width and double height character, the highest dot is missing and proper print result may not be conducted.

[Specifying address]

A1 : Start of the registration address (20H ~ FFH)

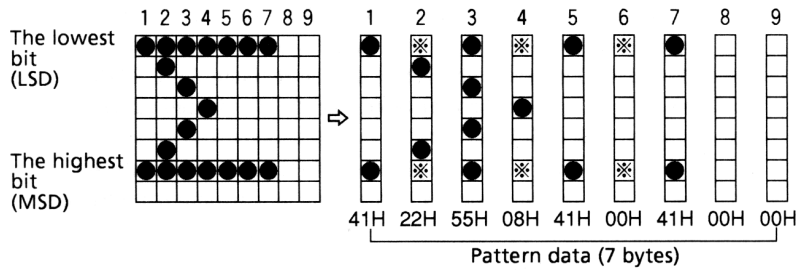
A2 : End of the registration address (20H ~ FFH)

[Configuration of pattern data]

The pattern data to be registered for one character is 9 byte.

This means the pattern comprises  $9 \times 8$  dots matrix is decomposed to 9 portions divided to the direction of lengthwise and the data of 9 bytes in total is to be transmitted as each one bytes data.

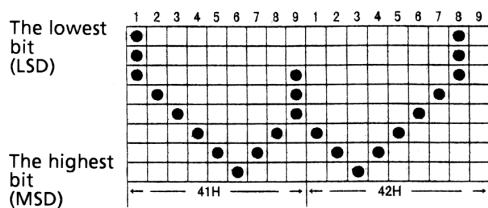
<Example> In case the following data is transmitted.



Since this model is using half dot printing method, this printer can not specifies the continuous dots to the direction of printing direction. (Horizontal direction) Therefore, the pattern can not be registered in the position of "e" mark, even if the pattern is specified in this position.

By registration of the data of 2 characters, double width as one character can be compromised.

<Example>



After following the code of ESC + "&" + 01H (Remarks) + 41H + 42H, by sending the following date,

Date 07H, 08H, 10H, 20H, 40H, 80H, 40H, 20H, 1CH

20H, 40H, 80H, 40H, 20H, 10H, 08H, 07H, 00H

the character of "W" in double width can be registered in the area of 41H and 42h .

[Printing of registered characters]

In case of printing registered characters, command (ESC + "%" + 1) for specifying registered characters is to be conducted initially.

Then, by sending 41H and 42H the word of "W" in double width can be printed.

Remarks) Even though any data was registered in the upper bit, in case "0" is specified for "C1" parameter, the print result may not be same as the image.

(11) Download character valid/invalid command (ESC + "%" + n )

By inputting ESC (1BH) + "%" (26H) + n codes, selection of valid or invalid of registered characters is performed.

N = 1 (01H) : Enable the registered characters.

(In case there is no change in the registration address, internal characters are printed.)

N = 0 (00H) : Disable the registered characters.

Internal characters are print.

Initial setting is for printing internal characters.

Even though any characters were registered by command, in case the above setting is "disable", the registered characters can not be printed.

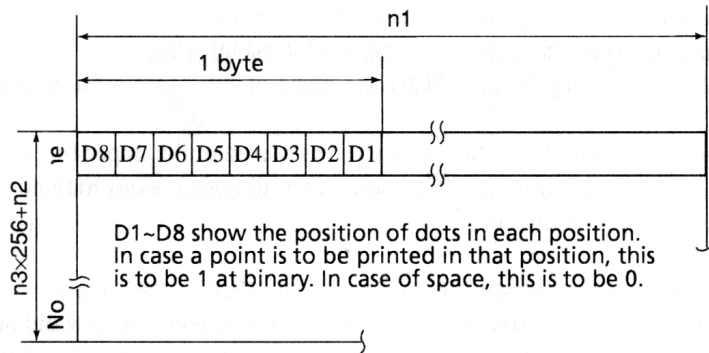
Remarks ) This command is available only for 40 columns model.

(12) Bit image printing command (ESC + "K" + n1 + n2 + n3 )

By inputting ESC(4BH) + "K" + n1 + n2 + n3 code, text mode is changed to bit image mode, n1 , n2 , n3 specify the volume of bit map data to be transmitted after this command.

Therefore, n1 shows the number of bytes to the direction of side, n2 (lower) and n3 (higher) show the number of dot lines at the direction of lengthwise.

(The relation between data and print result.)



(The available range of parameter specifying)

model	n1	n2	n3
24 columns model	1~18	0~255	0~1
40 columns model	1~23	0~255	0~1

Remarks: In case the value is specified out of the above available range or  $n2 = n3 = 0$ , bit image mode is canceled and mode is changed to text mode.

This printer prints the data which is not sufficient as a space after Lead -in the data of 4 dots line or after filling the data specified in n1, n2, n3

Remarks 1): In 40 columns, in case  $n1 = 1$  is specifies, 4 dots from lowest columns dots (LSC-DOT) are ignored. This is due to the total number of dot for 1 line is 180.

Remarks 2): Mode is changed to text print mode after printing bit image.

(13) Specifying double wide and double high character command (FS + "W" + 1)

By inputting the code of FS (1CH) + "W" (57H) + (01H), double width and double height is specified.

This command prints the data following after this command as double width and double height.

(14) Cancellation of double wide and double high character command (FS + "W"+0)

By inputting FS (1CH) + "W" (57H) + 0 (00H) code, double width and double height is canceled.

Remarks 1) Although both of standard characters and double wide characters can exist in the same line, in case the total columns go to 24 (40) columns at standard character basis, this printer conduct buffer full printing automatically.

Remarks 2) In case both of double wide and double high character and double wide character are specified, double width and double height is specified.

Example)

**<Receiving data>**

1C	W	1	1	2	3	4	5	6	7	8	9	CR						
1C	W	0	A	B	C	1C	W	1	1	2	3	CR						
1C	W	0	A	1C	W	1	1	2	3	4	5	6	7	8	9	0	1	B

**<Print result>**

1 2 3 4 5 6 7 8 9

ABC 1 2 3

A 1 2 3 4 5 6 7 8 9 1 B

Even though the last character is specified as double width and double height, since this character is 24<sup>th</sup> column, this character is printed as an standard character. (In case of 40 columns model, this means 40<sup>th</sup> column.)

## 9. CHARACTER SET

### 9.1 Japanese character code table

Upper Hex	Lower Hex	0	1	2	3	4	5	6	7	8	9	A	B	C	D	E	F
	0000	NUL	0001	0010	0011	0100	0101	0110	0111	1000	1001	1010	1011	1100	1101	1110	1111
0	0000		SP														
1	0001		i			A	Q	a	q								
2	0010		DC2			B	R	b	r								
3	0011		DC3			C	S	c	s								
4	0100		DC4			D	T	d	t								
5	0101					E	U	e	u								
6	0110					F	V	f	v								
7	0111					G	W	g	w								
8	1000		CAN			H	X	h	x								
9	1001					I	Y	i	y								
A	1010	LF				J	Z	j	z								
B	1011		ESC			K	[	k	[								
C	1100					L	\	l	\								
D	1101	CR				M	]	m	]								
E	1110	SO				N	^	n	^								
F	1111					O	_	o	_								

Remarks: SP means: "Space" (blank).

## 9.2 International character code table

Upper Lower IK	0	1	2	3	4	5	6	7	8	9	A	B	C	D	E	F
0	0000	0001	0010	0011	0100	0101	0110	0111	1000	1001	1010	1011	1100	1101	1110	1111
	NUL	SP	!	"	#	\$	%	&	'	(	)	*	+	,	-	.
	0	16	32	48	64	80	96	112	128	144	160	176	192	208	224	240
1	0001	17	33	49	65	81	67	113	129	145	161	177	193	209	225	241
2	0010	DC2	·	3	B	R	b	r	—	†	€	178	194	210	226	242
3	0011	DC3	#	3	C	S	c	s	—	‡	162	178	194	210	226	242
4	0100	DC4	\$	4	D	T	d	t	—	—	163	179	195	211	227	243
5	0101	5	%	5	E	U	e	u	—	—	164	180	196	212	228	244
6	0110	6	&	6	F	V	f	v	—	—	165	181	197	213	229	245
7	0111	7	'	7	G	W	w	w	—	—	166	182	198	214	230	246
8	1000	CAN	(	8	H	X	h	x	—	—	167	183	199	215	231	247
9	1001	9	)	9	I	Y	y	y	—	—	168	184	200	216	232	248
A	1010	LF	*	10	J	Z	z	z	—	—	169	185	201	217	233	249
B	1011	ESC	+	11	K	[	{	{	—	—	170	186	202	218	234	250
C	1100	12	,	12	L	^	~	~	—	—	171	187	203	219	235	251
D	1101	CR	-	13	M	]	_)	_)	—	—	172	188	204	220	236	252
E	1110	SO	.	14	N	^	~	~	—	—	173	189	205	221	237	253
F	1111	15	/	15	O	_	o	o	—	—	174	190	206	222	238	254
			?	16					+	+	175	191	207	223	239	255

Remarks: SP means: "Space" (blank).

### 9.3 Character code table

(The characters of \*1~\*12 in the below table can be changed to the characters in the next page.)

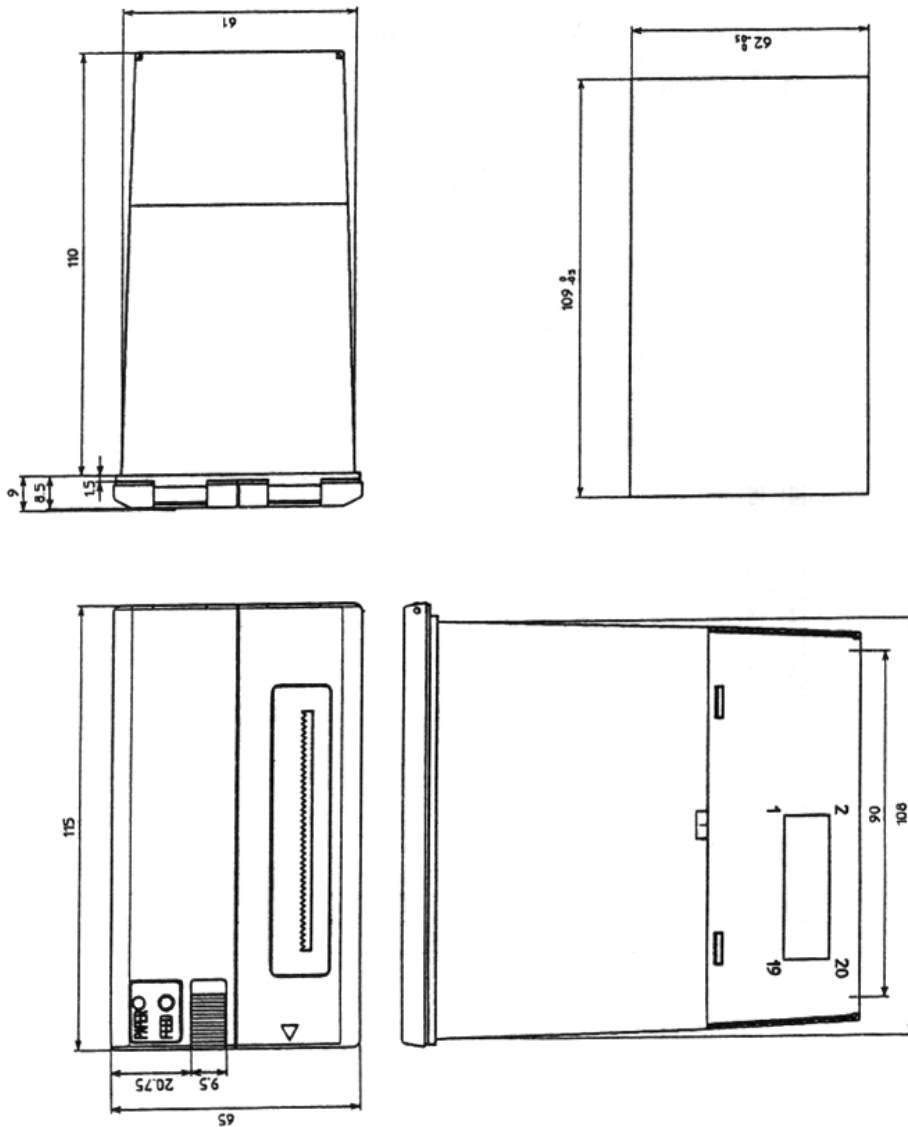
Upper 7 bit	0	1	2	3	4	5	6	7	8	9	A	B	C	D	E	F				
0	0000	NUL	0	16	32	48	64	80	96	112	128	144	160	176	192	208	224	240		
1	0001		SP	1	A	2	3	4	5	6	7	8	9	10	11	12	13	14	15	
2	0010		DC2	17	B	18	19	20	21	22	23	24	25	26	27	28	29	30	31	
3	0011		DC3	34	C	35	36	37	38	39	40	41	42	43	44	45	46	47	48	
4	0100		DC4	49	D	50	51	52	53	54	55	56	57	58	59	60	61	62	63	
5	0101			64	E	65	66	67	68	69	70	71	72	73	74	75	76	77	78	
6	0110			79	F	80	81	82	83	84	85	86	87	88	89	90	91	92	93	
7	0111			94	G	95	96	97	98	99	100	101	102	103	104	105	106	107	108	
8	1000			109	H	110	111	112	113	114	115	116	117	118	119	120	121	122	123	
9	1001			124	I	125	126	127	128	129	130	131	132	133	134	135	136	137	138	
A	1010			139	J	140	141	142	143	144	145	146	147	148	149	150	151	152	153	
B	1011			154	K	155	156	157	158	159	160	161	162	163	164	165	166	167	168	
C	1100			169	L	170	171	172	173	174	175	176	177	178	179	180	181	182	183	
D	1101			184	M	185	186	187	188	189	190	191	192	193	194	195	196	197	198	
E	1110			199	N	200	201	202	203	204	205	206	207	208	209	210	211	212	213	
F	1111			214	O	215	216	217	218	219	220	221	222	223	224	225	226	227	228	
				229		230	231	232	233	234	235	236	237	238	239	240	241	242	243	
				244		245	246	247	248	249	250	251	252	253	254	255				

Remarks: SP means: "Space" (blank).



	Country Code	U.S.A.	France	Germany	U.K.	Denmark	Sweden	Italy	Spain
*1	<b>23H</b>	#	#	#	£	#	#	#	Pt
*2	<b>24H</b>	\$	\$	\$	\$	\$	¤	\$	\$
*3	<b>40H</b>	@	á	§	@	@	É	@	@
*4	<b>5BH</b>	[	°	Ä	[	Æ	Å	°	í
*5	<b>5CH</b>	\	Ç	Ö	\	Ø	Ö	\	Ñ
*6	<b>5DH</b>	]	§	Ü	]	Å	Å	é	¿
*7	<b>5EH</b>	^	^	^	^	^	Û	^	^
*8	<b>60H</b>	·	·	·	·	·	é	ù	·
*9	<b>7BH</b>	{	è	ä	{	æ	ä	ä	''
*10	<b>7CH</b>		ù	ö		ø	ö	ö	ñ
*11	<b>7DH</b>	}	é	ü	}	å	å	è	}
*12	<b>7EH</b>	~	''	ß	~	~	ü	í	~

## 10. OUTLINE DRAWING



# **CITIZEN SYSTEMS JAPAN CO.,LTD.**

6-1-12, TANASHI-CHO, NISHI-TOKYO-SHI, TOKYO 188-8511, JAPAN

Tel: +81-424-68-4608 Fax: +81-424-68-4996