

Battery Replacement Instructions

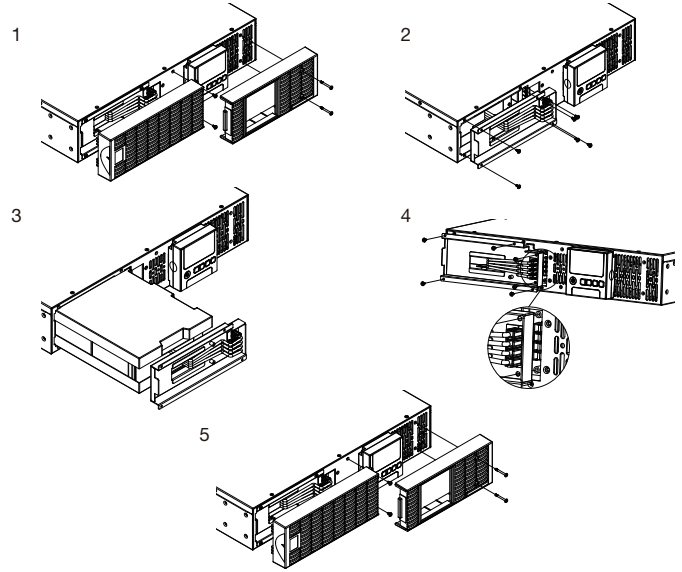
All CyberPower Systems replacement battery cartridges listed in this manual use Non-Spillable Sealed Lead Acid Batteries.

CyberPower Systems encourages environmentally sound methods for disposal and recycling of its battery cartridges. Please dispose of and/or recycle your batteries in accordance to the local regulations of your state.

K01-0000459-02

Smart App Online RT 1-3KVA Series

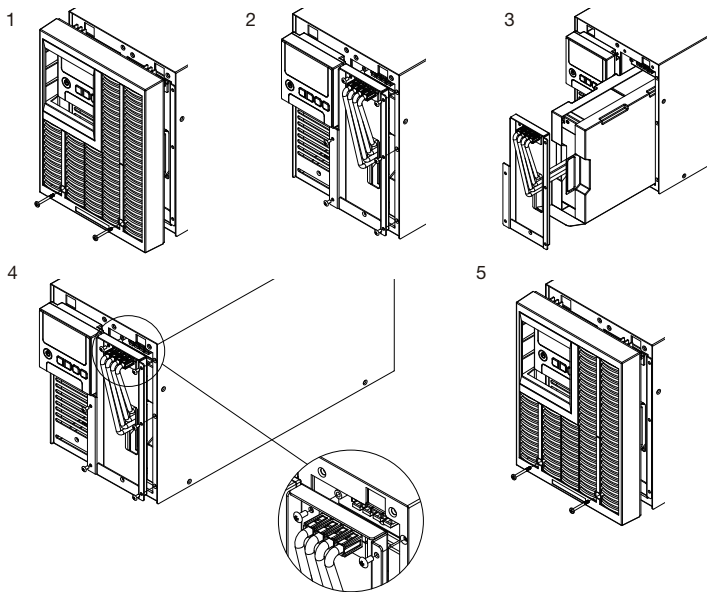
MODEL: OL1000RTXL2U, OL1500RTXL2U, OL2200RTXL2U, OL3000RTXL2U, OL3000RTXL2UHV, OL1000ERTXL2U, OL1500ERTXL2U, OL2000ERTXL2U, OL3000ERTXL2U, OL1000RT JP, OL1500RT JP, OL2200RT JP, OL3000RT JP



1. Remove the front faceplates.
2. Remove the screws securing the battery retention panel.
3. Pull the battery pack out together with the retention panel slowly and then put the new battery pack back into the UPS.
4. Reconnect the battery pack connectors to the UPS. Then tighten the screws of the battery retention panel.
5. Reinstall the front faceplates.

Smart App Online Tower 1-3KVA Series

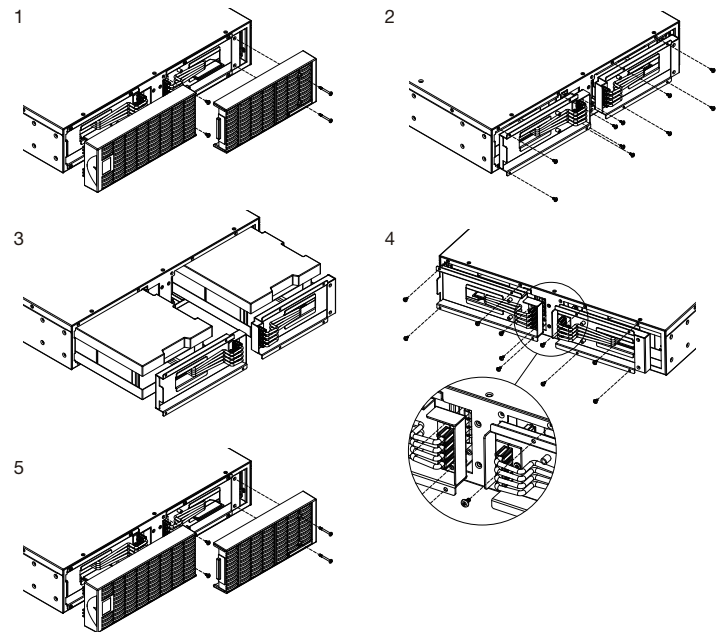
MODEL: OL1000XL, OL1500XL, OL2200XL, OL3000XL, OL1000EXL, OL1500EXL, OL2000EXL, OL3000EXL, OL1000XL JP, OL1500XL JP, OL2200XL JP, OL3000XL JP



1. Remove the front faceplates.
2. Remove the screws securing the battery retention panel.
3. Pull the battery pack out together with the retention panel slowly and then put the new battery pack back into the UPS.
4. Reconnect the battery pack connectors to the UPS. Then tighten the screws of the battery retention panel.
5. Reinstall the front faceplates.

Smart App Online EBM for RT 1-1.5KVA Series

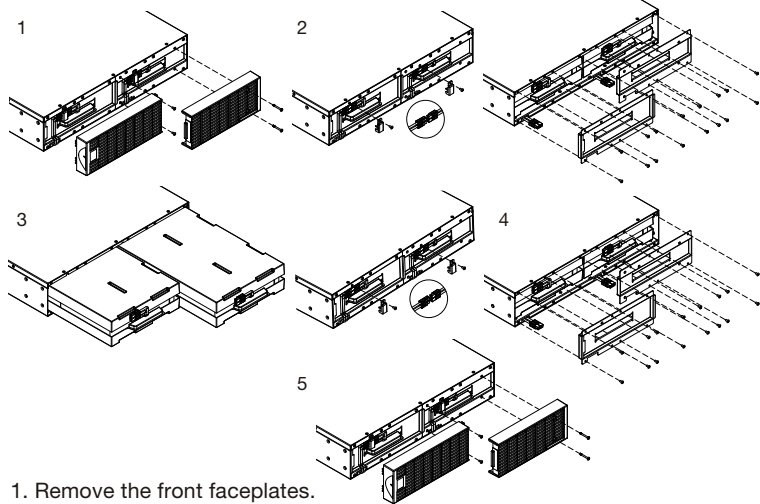
MODEL: BP36V60ART2U, BPE36V60ART2U, BPE36V60ART2US



1. Remove the front faceplates.
2. Remove the screws securing the battery retention panels.
3. Pull the battery packs out together with the retention panels slowly and then put the new battery packs back into the EBM.
4. Reconnect the battery pack connectors to the EBM enclosure. Then tighten the screws of the battery retention panel.
5. Reinstall the front faceplates.

Smart App Online EBM for RT 2-3KVA Series

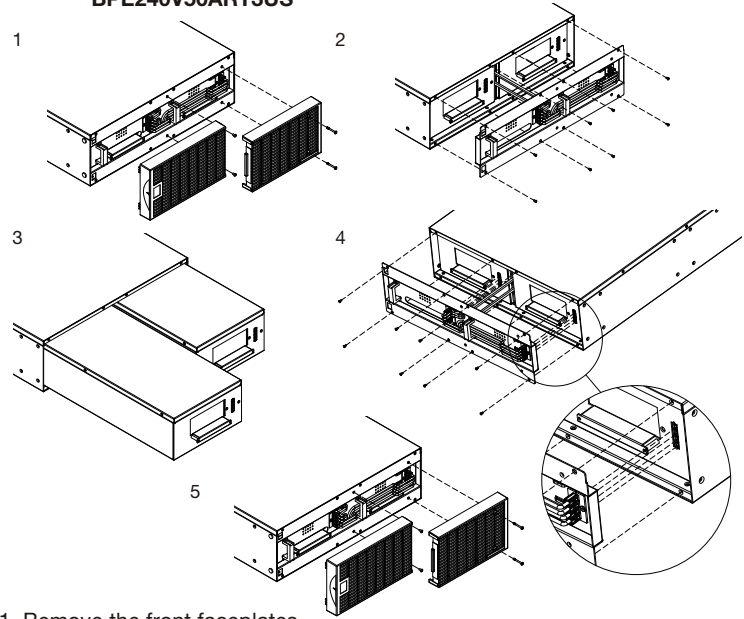
MODEL: BP72V60ART2U, BPE72V60ART2U, BPE72V60ART2US



1. Remove the front faceplates.
 2. Remove the screws securing the battery retention panels. Unscrew the battery connector retention hardware. Disconnect the battery power cables and then remove the panel itself.
 3. Pull the battery packs out slowly and then put the new battery packs back into the compartment.
 4. Reconnect the battery pack to the EBM enclosure and screw on the battery connector retention hardware. Tighten the screws of the battery retaining cover.
- WARNING** - It is very important to reconnect battery connections with the correct polarity. Connectors are color coded red and black for positive and negative polarity respectively. Permanent damage may be caused to the equipment if polarity is reversed.
5. Reinstall the front faceplates.

Smart App Online RT 6-10KVA Series

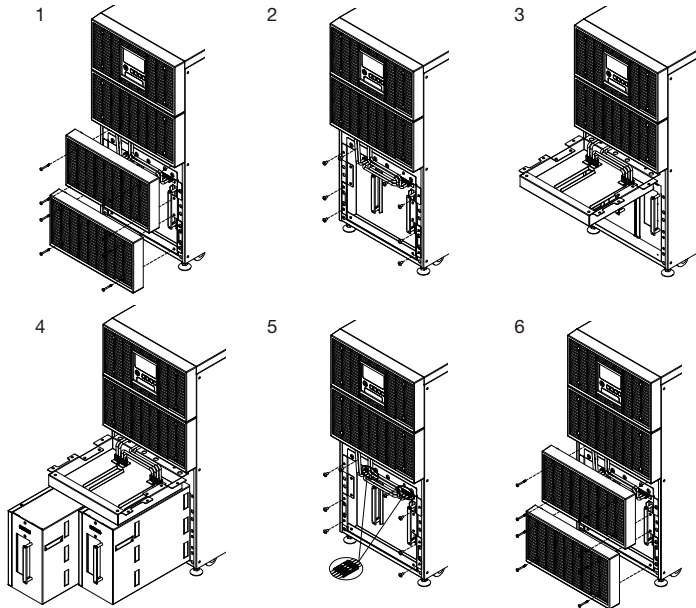
MODEL: BP240V30ART3U, BP240V50ART3U, BPE240V30ART3U, BPE240V50ART3U, BPE240V30ART3US, BPE240V50ART3US



1. Remove the front faceplates.
2. Remove the screws securing the battery retention panel.
3. Raise the battery retention panel above the battery compartment opening to allow the battery trays to be pulled out. Then put the new battery trays into the compartment.
4. Align and reconnect the battery connectors and tighten the screws of the battery retention panel.
5. Reinstall the front faceplates.

Smart App Online Tower 6-10KVA Series

MODEL: OL6000, OL8000, OL10000, OL6000E, OL8000E, OL10000E



1. Remove the front faceplates.
2. Remove the screws securing the battery retention panel.
3. Raise the battery retention panel above the battery compartment opening to allow the battery trays to be pulled out.
4. Pull the battery trays out slowly and then put the new battery trays back into the compartment.
5. Reconnect the battery connectors and tighten the screws of battery retention panel.
6. Reinstall the front faceplates.

Replacement Battery Pack Table

Model Name	Battery QTY	UPS or EBM Model
RB1290X3L RBP0074	3	OL1000RTL2U OL1500RTL2U BP36V60ART2U (LEFT) OL1000ERTXL2U OL1500ERTXL2U BPE36V60ART2US (LEFT)
RB1290X3R RBP0079	3	BP36V60ART2U (RIGHT) BPE36V60ART2US (RIGHT)
RB1290X3A RBP0075	3	OL1500XL OL1500EXL
RB1290X6A RBP0076	6	OL2200RTL2U OL3000RTL2U OL3000RTL2UHV OL2200ERTXL2U OL3000ERTXL2U
RB1290X6B RBP0077	6	BP72V60ART2U BPE72V60ART2U
RB1290X6C RBP0078	6	OL2200XL OL3000XL OL2200EXL OL3000EXL
RB1290X10 RBP0072	10	BP240V50A BP240V50ART3U OL8000 OL10000 BPE240V50A BPE240V50ART3U OL8000E OL10000E BPE240V50AS BPE240V50ART3US
RB1270X10 RBP0073	10	BP240V30A BP240V30ART3U OL6000 BPE240V30A BPE240V30ART3U OL6000E BPE240V30AS BPE240V30ART3US

CyberPower[®]
CyberPower Systems, Inc.
www.cyberpower.com

For USA and Canada:
 4241 12th Ave East, Suite 400
 Shakopee, MN 55379
 Toll-free: (877) 297-6937

For all other regions:
 Please visit our website for local contact information.