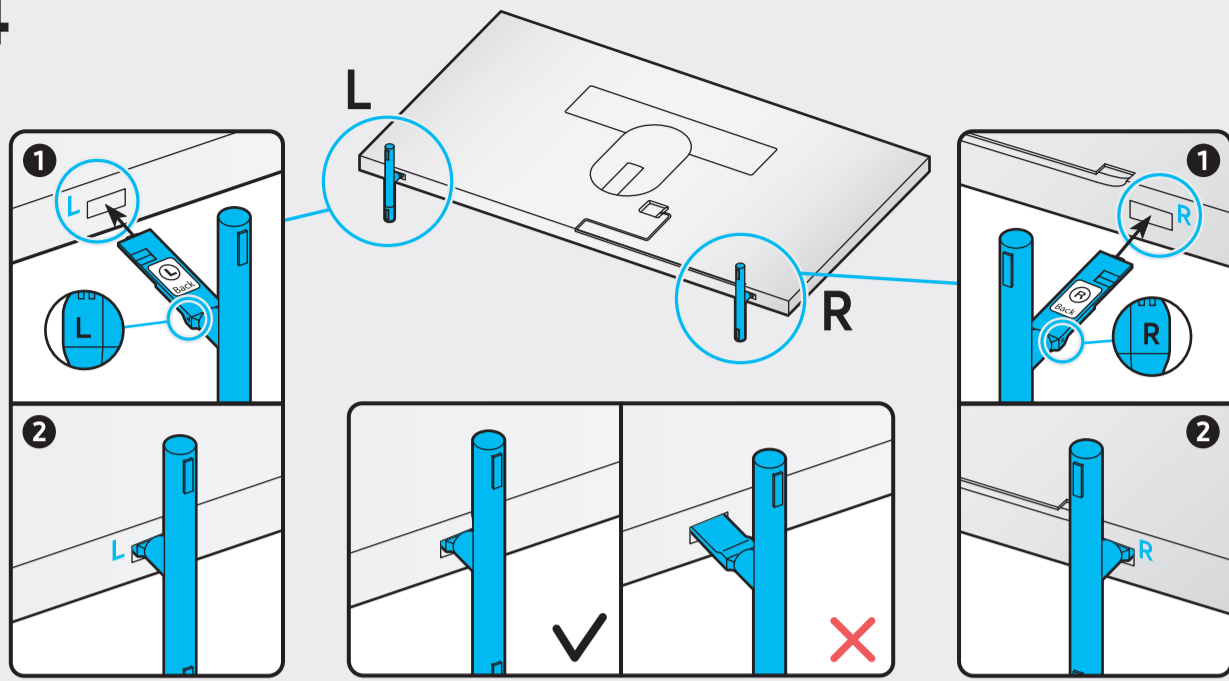
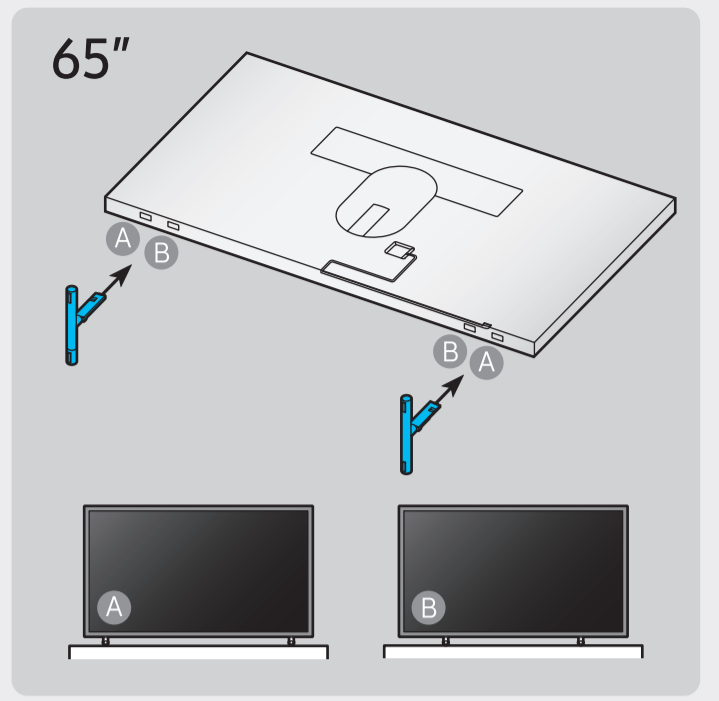


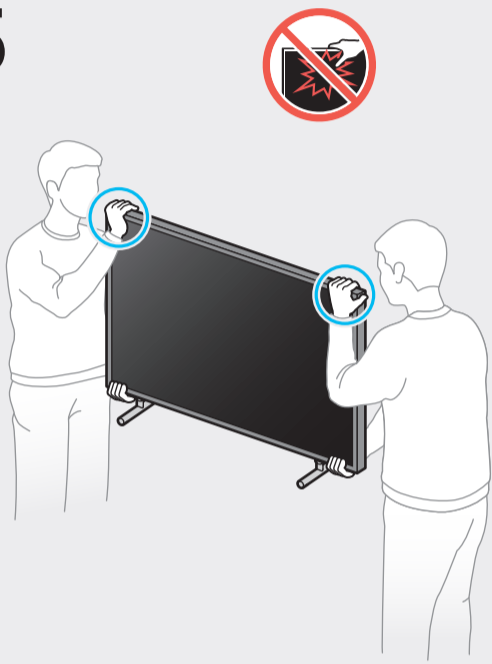
4



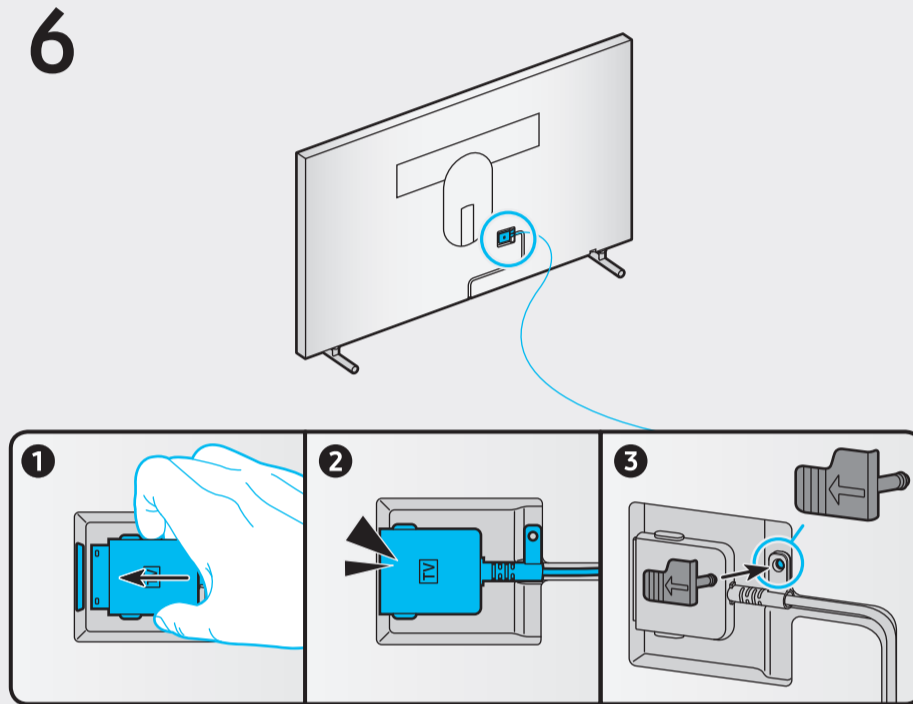
65"



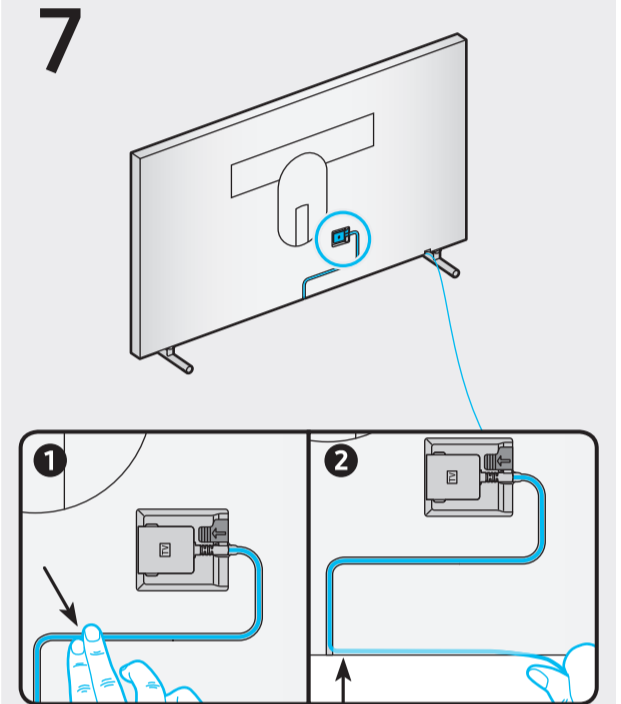
5



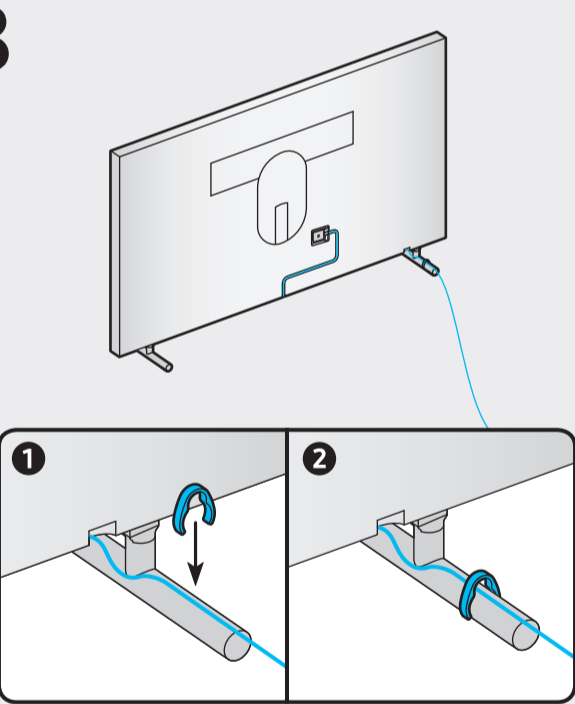
6



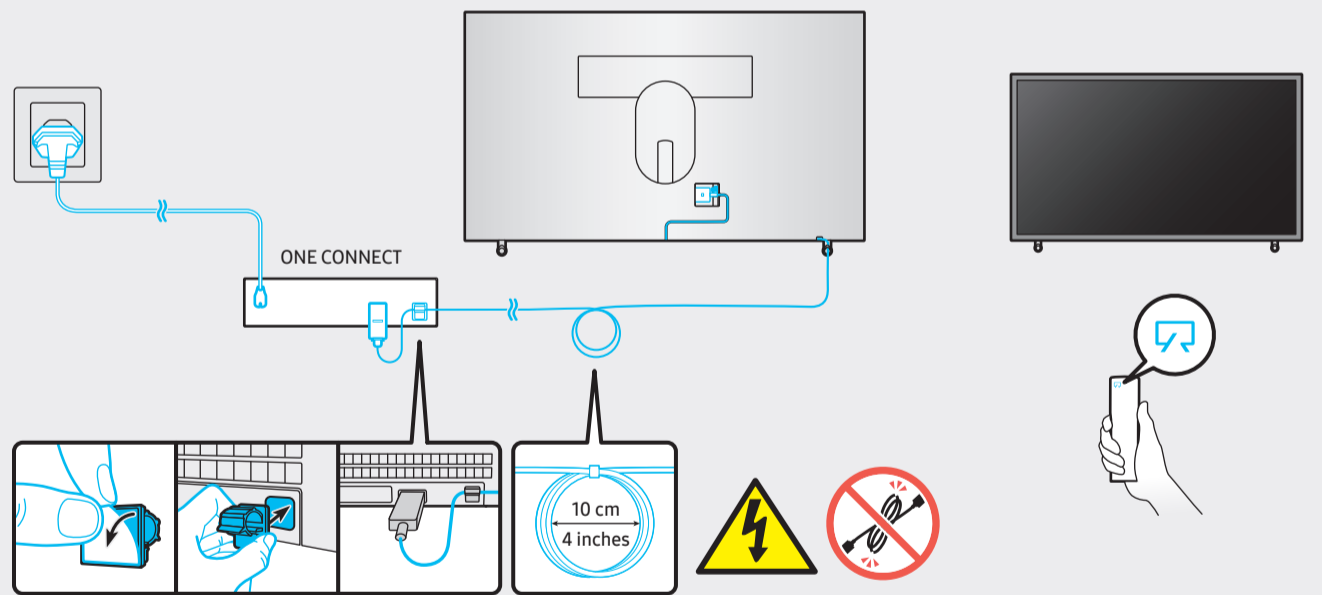
7



8

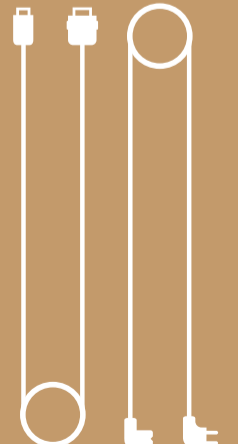


9



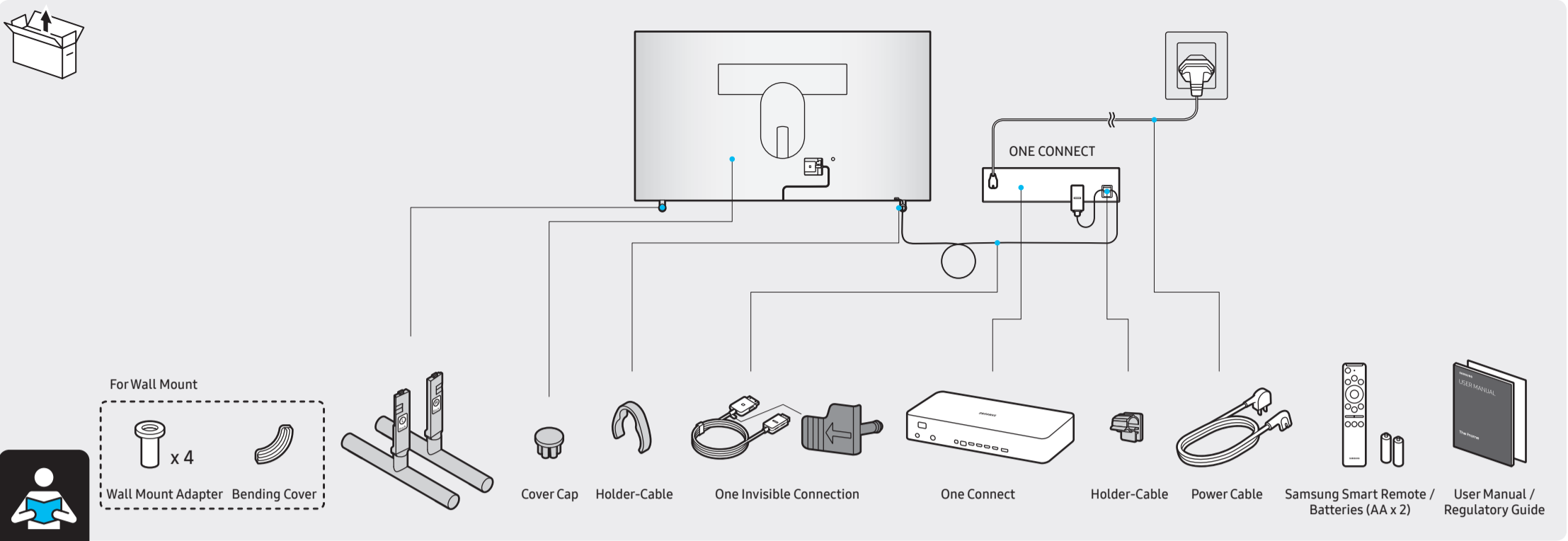
SAMSUNG

# QUICK SETUP GUIDE

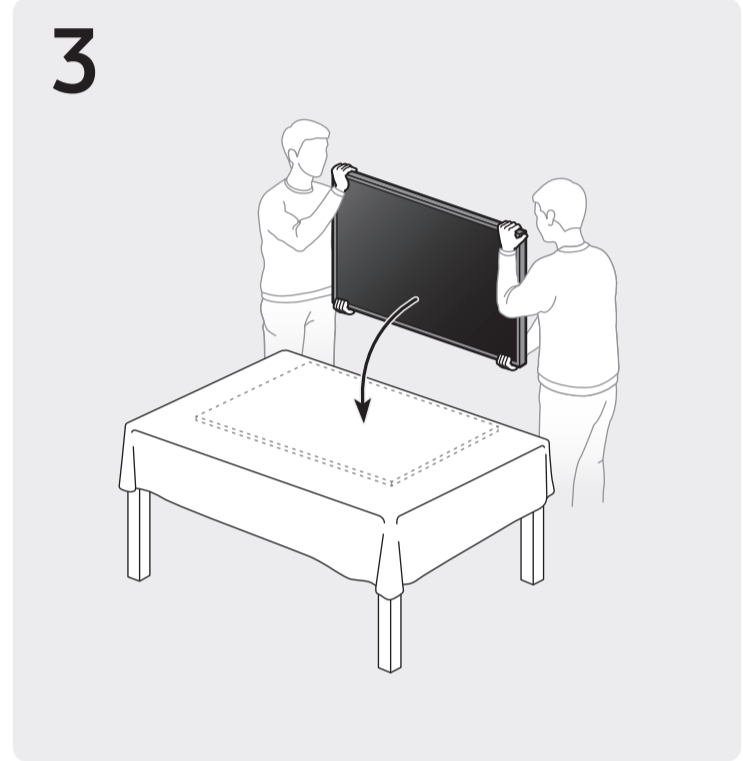
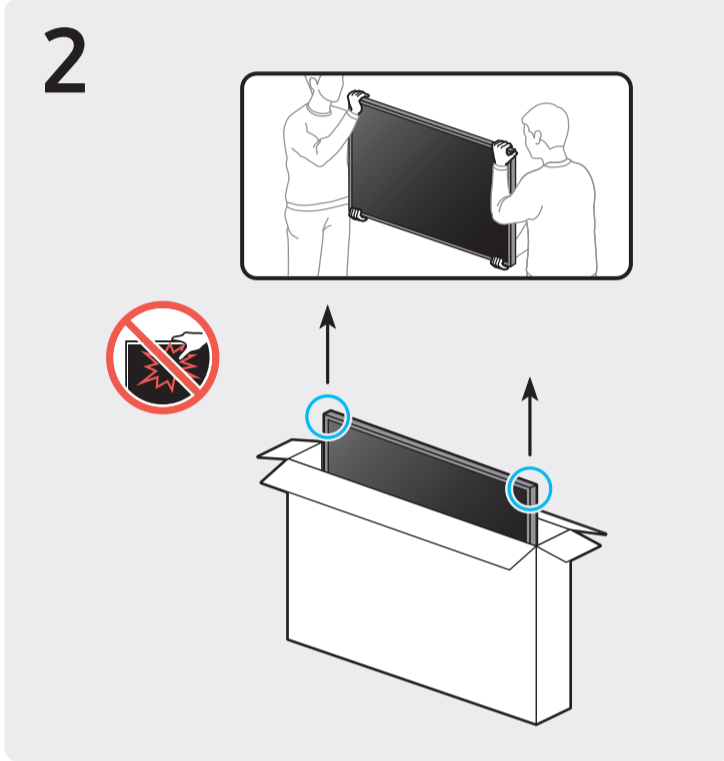
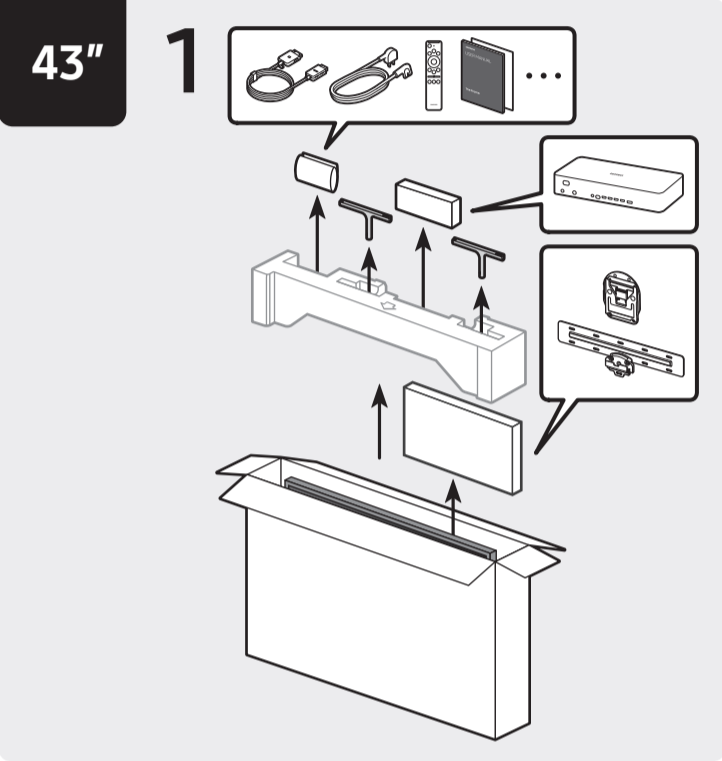


Scan this QR code with your smart phone to see helpful videos.

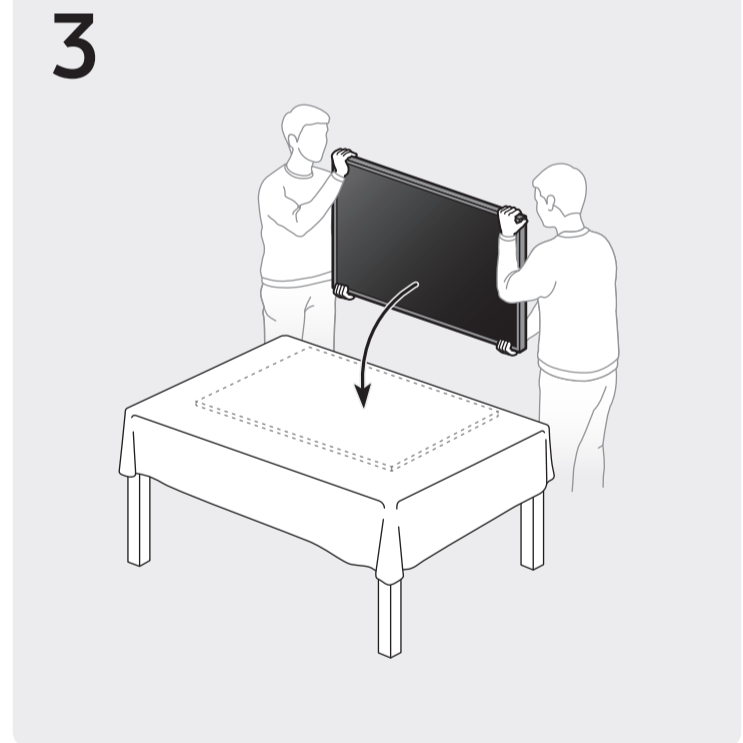
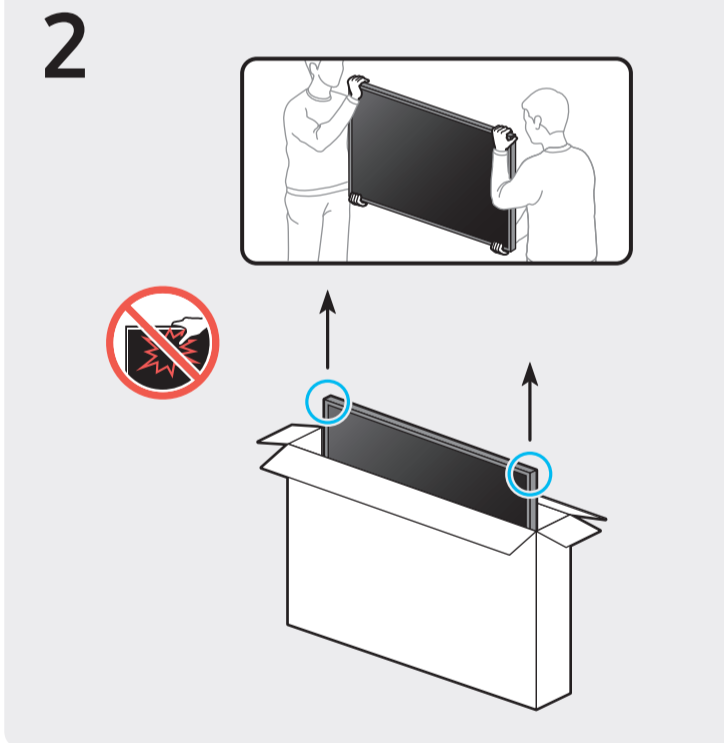
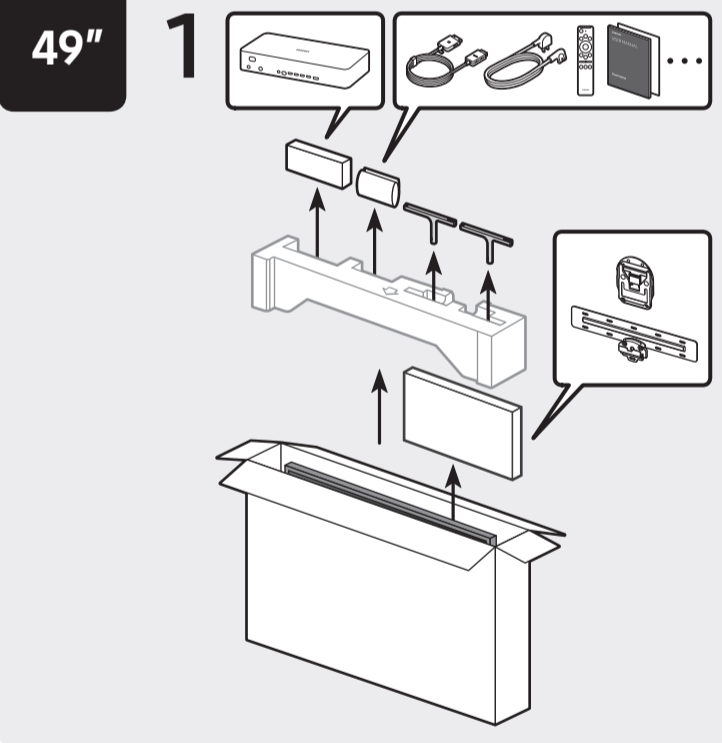




43"



49"



55"  
-  
65"

