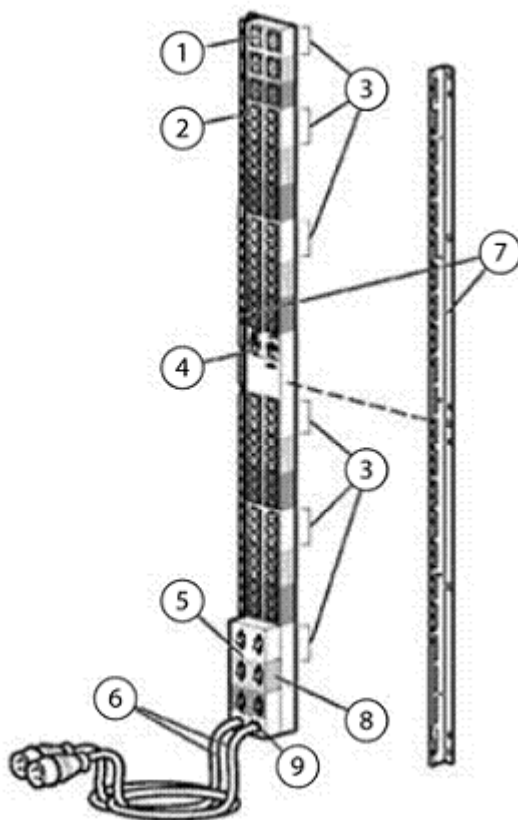


Overview

The HP Monitored PDUs allow administrators and facility personnel to monitor current draw directly at the rack and per PDU. HP Monitored PDUs are available in both 1 phase and 3 phase and in single and dual input. Power capacity per PDU ranges from ranging from 4.9 kVA up to 22 kVA to provide flexibility in deployment. Available PDU's include full rack models with 39 receptacles on the single input models or with 78 receptacles on the dual input models. Half rack versions are single input and are available in a popular single phase model with 24 C-13 and 3 C-19 receptacles and a high capacity 3 phase model with 12 C-19 receptacles for use in dense BladeSystem environments. The optional PDU Management Module allows for remote monitoring of the PDUs across the network.

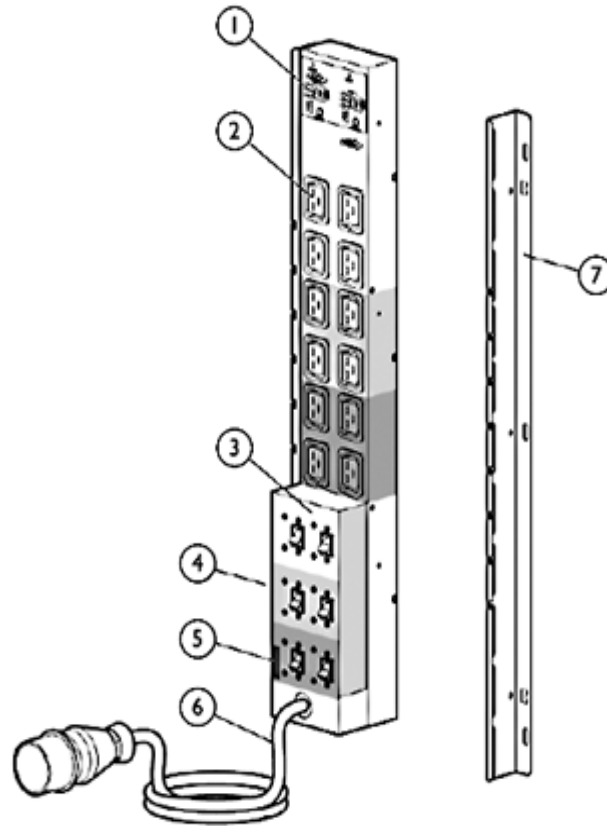
Full Rack Vertical PDU Model (Ideal for 36U to 47U racks)



- | | |
|--------------------------------------------------------------------------|-----------------------------------------|
| 1. 3 x C-19 outlets per input | 6. Power cords |
| 2. 36 x C-13 outlets per input | 7. Mounting and cord retention brackets |
| 3. Color coded load segments | 8. Serial number label |
| 4. Front Panel Display and communications port for PDU Management module | 9. Model number |
| 5. Color coded circuit breakers | |

Overview

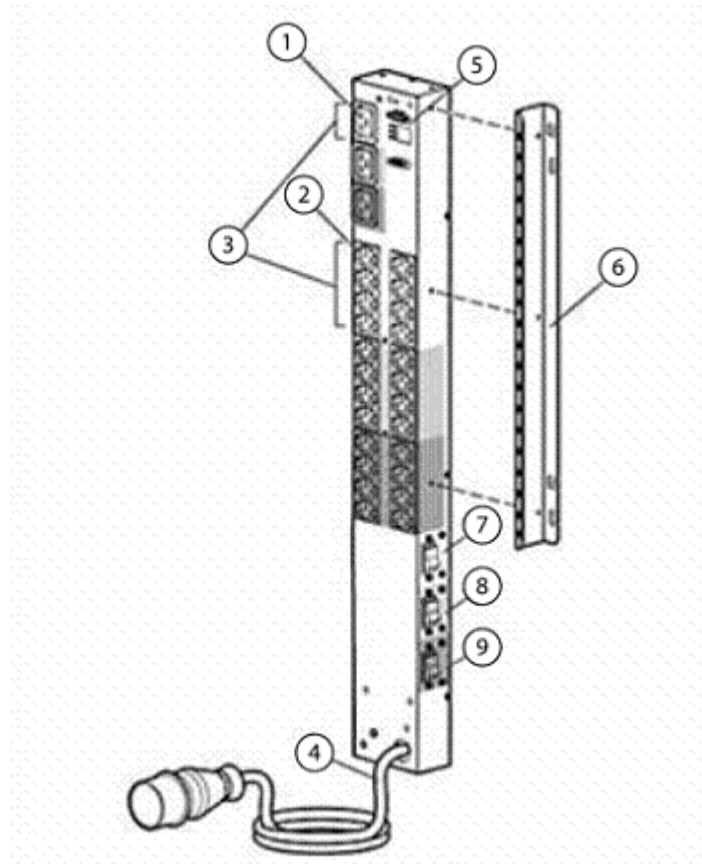
Half Rack Vertical PDU Models S340, S348 and S332



1. Front Panel Display and communications port for PDU Management module
 2. 12 x Color Coded C-19 outlets for Load Segmentation
 3. Color coded circuit breakers
 4. Serial Number label
 5. Model number
 6. Power cord
 7. Mounting and cord retention brackets
-

Overview

Half Rack Vertical PDU Models S124 and S132



1. 3 x C19 outlets
2. Color Coded C19 and C13 outlets for Load Segmentation
3. 24 x C13 outlets
4. Power cord
5. Front Panel Display and communications port for PDU Management module
6. Mounting and cord retention brackets
- 7-9. Color coded circuit breakers

What's New

- New S340 Monitored PDU is a half height form factor that connects to a 50 amp 3 phase circuit using the popular CS8365C connector. The new S340 has a single input and 12 C19 outputs for connection to a variety of HP equipment.

Overview

Models

HP Monitored Power Distribution Unit: Full Rack Version

HP Dual Input 3 Phase 24A Monitored Power Distribution Unit	AF503A
HP Single Input 3 Phase 24A Monitored Power Distribution Unit	AF504A
HP Dual Input 1 Phase 40A Monitored Power Distribution Unit	AF505A
HP Single Input 1 Phase 40A Monitored Power Distribution Unit	AF506A
HP Dual Input 3 Phase 16A Monitored Power Distribution Unit	AF507A
HP Single Input 3 Phase 16A Monitored Power Distribution Unit	AF508A
HP Dual Input 1 Phase 32A Monitored Power Distribution Unit	AF509A
HP Single Input 1 Phase 32A INT Monitored Power Distribution Unit	AF510A

HP Monitored Power Distribution Unit: Half Rack Version

HP Single Input 1 Phase 24A Monitored Power Distribution Unit	AF914A
HP Single Input 3 Phase 40A Monitored Power Distribution Unit	AF536A
HP Single Input 3 Phase 48A Monitored Power Distribution Unit	AF916A
HP Single Input 1 Phase 32A Monitored Power Distribution Unit	AF915A
HP Single Input 3 Phase 32A Monitored Power Distribution Unit	AF917A



Standard Features

Target Applications and Markets

- **24/7 data centers**
 - The HP Monitored PDU enables data centers to provide full rack power from one or more power distribution units. Available products include vertical rack mount taking 0U of rack space, as well as single or dual input models for increased power redundancy. Half height PDUs are perfect for BladeSystems and dense environments.
- **Power monitoring**
 - The HP Monitored PDU provides local and optional remote load monitoring. Each PDU chassis includes two serial ports-#1 for local set-up and configuration and #2 for attachment of the optional remote monitoring module.
NOTE: [Optional remote monitoring with HP PDU Management Module \(PN: AF400A\)](#)
- **Power display**
 - The local user interface consists of a basic control panel that includes a two-digit 7-segment display, a recessed reset button, a scroll/invert button and 6 segment-dedicated LEDs. Local alarms are annunciated for current and voltage excursions.

Customer Challenges/Requirements

- Easy access to power multiple servers, storage and other rack mount equipment
- Need more outlets and more power in each rack
- Require easy and quick access to all power outlets in the back of the rack
- Monitor power in each rack and each PDU locally or remotely

Model Features - Full-Rack Vertical PDU

- Single and dual input models
- Single and three phase inputs
- 36 C13s + 3 C19s per input (single input models)
- 72 C13s + 6 C19s per input (dual input models)
- Unique color-coded load identification
- Local power monitoring display and optional remote power reporting with the PDU Management Module

Model Features - Half-Rack Vertical PDU

- Single input Models
 - 3 phase input with 12 x C-19s
 - Single phase input with 24 x C-13 and 3 x C-19
- Unique color-coded load identification Local power monitoring display and optional remote power reporting with the PDU Management Module

Mounting

- All monitored PDUs can be mounted to connect to either under floor or overhead electrical whips
- The 7U high monitored PDU breaker box may impede the cable management arms of some ProLiant servers. HP recommends either using the rack extension kit or placing IT equipment in the 7U space which does not use cable management arms, UPS, KVM, etc.
 - Models S124 and S132 do not have this restriction.
- Models S340, S348 and S332 include fixed rail and swing out brackets for mounting behind BladeSystem enclosures



Standard Features

Optional HP PDU Management Module

- The HP PDU Management Module enables you to monitor power environments through comprehensive control of individual HP PDUs. The module can be configured to send alert traps to HP Systems Insight Manager and other SNMP management programs or used as a standalone monitoring system. This flexibility enables you to monitor up to two PDUs through the network connector or serial connector located on the front of the management module. To facilitate day-to-day maintenance tasks, the embedded management software provides detailed system logs.
- The HP PDU Management Module provides remote monitoring of a PDU by connecting the PDU directly to the network. Monitoring of the PDU can be achieved from anywhere and at anytime via a standard web browser.

NOTE: For additional information on the PDU Management Module please go to: <http://h18004.www1.hp.com/products/servers/proliantstorage/power-protection/power-distribution/module/index.html>



Service and Support

HP Care Pack services provide a range of life cycle support options that let you choose the service levels that meet your business requirements, from basic to mission-critical.

A full range of HP Care Pack hardware and software services are available including:

- Installation and start up
- Education courses
- Extended onsite hardware coverage hours from same business day 13 hours, 5 day to 24 hours, 7 days call window with options including 4-hour response or 6-hour Call To Repair
- Comprehensive range of software technical support for Microsoft, Linux, ProLiant Essentials and VMware-based IT solutions helping to deliver high level of application availability. Response times range from 30 minutes for critical problems to 2 hours.
- System Management, Performance Services and Mission Critical Support Solution

NOTE: For more information on HP Care Pack services, contact any of our worldwide sales offices or resellers or visit our worldwide Web site on the internet at: <http://www.hp.com/hps/carepack>

NOTE: For more complete information on HP Services offerings, customers and resellers, please visit us at: <http://www.hp.com/hps>

NOTE: Additional information regarding worldwide limited warranty and technical support is available at: <http://h18004.www1.hp.com/products/servers/platforms/warranty/index.html>

NOTE: For additional information on Server Services, Rack and Power Options, please visit: <http://h20219.www2.hp.com/services/cache/111072-0-0-225-121.html>

NOTE: The information contained herein is subject to change without notice and is provided "as is" without warranty of any kind.

NOTE: The warranties for HP products and services are set forth in the express limited warranty statements accompanying such products and services.

NOTE: Nothing herein should be construed as constituting an additional warranty. HP shall not be liable for technical or editorial errors or omissions contained herein.



Related Options

HP PDU Extension Bars	HP Two C13 PDU Extension Bars	AF500A
	NOTE: Each extension bar has a C-20 input cord and 7 x C-13 receptacles.	
HP PDU Management Module	HP Fixed Cord Extension Bars	351655-B21
	NOTE: Each extension bar has a C-20 input cord and 7 attached 13 inch C-13 power cords for use with 1U servers.	
	NOTE: Extension bars may be used with any HP Monitored PDU that has C-19 outlets.	
HP PDU Management Module	HP PDU Management Module	AF400A
HP Power Cables	HP IEC320-C14 to C13 10A/4.5ft/1.37m/ 15 PDU Cable	142257-007
	HP IEC320-C14 to C13 (10A/4.5ft/1.37m) PDU Cable	142257-006
	HP IEC C13-C14 Cable Option Kit	142257-B28
	NOTE: For more information on HP power cords please go to: ftp://ftp.compaq.com/pub/products/servers/ProLiantstorage/power-protection/power-cord-option-kits.pdf	
HP Care Pack Services	HP Install Rack and Rack Options Service	U2871E



QuickSpecs

HP Monitored Power Distribution Unit (PDU)

Technical Specifications

Full Rack Vertical PDU Dual Input Models

Model Number	S2324 (NA/JPN)	S2140 (NA/JPN)	S2316 (INTL)	S2132 (INTL)	
Part number	AF503A	AF505A	AF507A	AF509A	
Input ratings					
Voltage (VAC)	~A: 200-240V 60/50Hz 3Ø Delta	~A: 200-240V 60/50Hz 1Ø	~A: 380-415V 50/60Hz 3Ø Wye	~A: 200-240V 50/60Hz 1Ø	
	~B: 200-240V 60/50Hz 3Ø Delta	~B: 200-240V 60/50Hz 1Ø	~B: 380-415V 50/60Hz 3Ø Wye	~B: 200-240V 50/60Hz 1Ø	
Current (Amps)					
Branch circuit requirements	208V, 3Ø, 4-wire, 30A	200-208V, 3-wire 50A	380-415V, 3Ø, 5-wire, 16A Category D Breaker	220-240V, 3-wire, 32A Category D Breaker	
Input plug/cord rating	NEMA L15-30P x 2	Non-NEMA Locking CS8265C, 50A x 2	IEC60309 516P6 Splashproof 4 pole, 5 wire, 380-415 VAC, 16A x 2	IEC60309 332P6 Splashproof 3 pole, 2 wire, 200- 240VAC, 32A x 2	
Input cord length	72in (1.83m)	72in (1.83m)	72in (1.83m)	72in (1.83m)	
Facility receptacle needed	NEMA L15-30R x 2	Hubbell CS8264C, CS8269, or equivalent x2	IEC60309 4 pole, 5 wire, 380-415 VAC, 16A Hubbell C516C6S, C516R6S, or equivalent x2	IEC60309 2 pole, 3 wire, 200- 240VAC, 32A Hubbell C332C6S, C332R6S, or equivalent x 2	
De-rated capacity	24A	40A	n/a	n/a	
Output ratings					
Voltage (VAC)	~A: 200-240V 60/50Hz 3Ø	~A: 200-240V 60/50Hz 1Ø	~A: 200-240V 50/60Hz 3Ø	~A: 200-240V 50/60Hz 1Ø	
	~B: 200-240V 60/50Hz 3Ø	~B: 200-240V 60/50Hz 1Ø	~B: 200-240V 50/60Hz 3Ø	~B: 200-240V 50/60Hz 1Ø	
Current (Amps)					
Outlet rating	C-13	10A	10A	10A	10A
	C-19	16A	16A	16A	16A
Load segment	L3	~A: 13.86A	~A: 20A	~A: 16A	~A: 20A
		~B: 13.86A	~B: 20A	~B: 16A	~B: 20A
	L2	~A: 13.86A	~A: 20A	~A: 16A	~A: 20A
		~B: 13.86A	~B: 20A	~B: 16A	~B: 20A
	L1	~A: 13.86A	~A: 20A	~A: 16A	~A: 20A
		~B: 13.86A	~B: 20A	~B: 16A	~B: 20A
Maximum Total	~A: 41.6A	~A: 40A	~A: 48A	~A: 32A	
	~B: 41.6A	~B: 40A	~B: 48A	~B: 32A	
Power (Watts)					
Per Line Cord	~A: 8.6 kVA	~A: 8.3 kVA	~A: 11 kVA	~A: 7.3 kVA	
	~B: 8.6 kVA	~B: 8.3 kVA	~B: 11 kVA	~B: 7.3 kVA	
PDU Total	17.2 kVA	16.6 kVA	22 kVA	14.7 kVA	
Number of outlets					



QuickSpecs

HP Monitored Power Distribution Unit (PDU)

Technical Specifications

Load Segment / Line Cord	C-13	~A: 36 (12 per segment)	~A: 36 (12 per segment)	~A: 36 (12 per segment)	~A: 36 (12 per segment)
		~B: 36 (12 per segment)	~B: 36 (12 per segment)	~B: 36 (12 per segment)	~B: 36 (12 per segment)
	C-19	~A: 3 (1 per segment)	~A: 3 (1 per segment)	~A: 3 (1 per segment)	~A: 3 (1 per segment)
		~B: 3 (1 per segment)	~B: 3 (1 per segment)	~B: 3 (1 per segment)	~B: 3 (1 per segment)
PDU total	C-13	72	72	72	72
	C-19	6	6	6	6

Dimensions & Weights

Product	Product	Product	Product	Product	Product
Product	Height	60 inches (1524 mm)	60 inches (1524 mm)	60 inches (1524 mm)	60 inches (1524 mm)
	Width	3.75 inches (95.25 mm)	3.75 inches (95.25 mm)	3.75 inches (95.25 mm)	3.75 inches (95.25 mm)
	Depth	2.0 inches (50.8 mm) @ outlets	2.0 inches (50.8 mm) @ outlets	2.0 inches (50.8 mm) @ outlets	2.0 inches (50.8 mm) @ outlets
	Weight	27.5 pounds (12.47 Kg)	37.5 pounds (37.5 Kg)	27.5 pounds (12.47 Kg)	27.5 pounds (12.47 Kg)
Shipping	Shipping	Shipping	Shipping	Shipping	Shipping
	Height	66.7 inches (1694 mm)	66.7 inches (1694 mm)	66.7 inches (1694 mm)	66.7 inches (1694 mm)
	Width	11.0 inches (279.4 mm)	11.0 inches (279.4 mm)	11.0 inches (279.4 mm)	11.0 inches (279.4 mm)
	Depth	11.3 inches (287.02 mm)	11.3 inches (287.02 mm)	11.3 inches (287.02 mm)	11.3 inches (287.02 mm)
	Weight	42.3 pounds (19.18 Kg)	42.3 pounds (19.18 Kg)	42.3 pounds (19.18 Kg)	42.3 pounds (19.18 Kg)

Full Rack Vertical PDU Single Input Models

Model number	S1324 (NA/JPN)	S1140 (NA/JPN)	S1316 (INTL)	S1132 (INTL)
Part number	AF504A	AF506A	AF508A	AF510A
Input ratings				
Voltage (VAC)	200-208V 60/50Hz 3Ø Delta	200-208V 60/50Hz 1Ø	380-415V 50/60Hz 3Ø Wye	220-240V 50/60Hz 1Ø
Current (Amps)				
Branch circuit requirements	208V, 3F, 4-wire, 30A	200-208V, 3-wire 50A	380-415V, 3F, 5-wire, 16A Category D Breaker	220-240V, 3-wire, 32A Category D Breaker
Input plug/cord rating	NEMA L15-30P	Non-NEMA Locking CS8265C, 50A	IEC60309 516P6 Splashproof 4 pole, 5 wire, 380-415 VAC, 16A	IEC60309 332P6 Slashproof 2 pole, 3 wire, 200 - 240VAC, 32A
Input cord length	72in (1.83m)	72in (1.83m)	72in (1.83m)	72in (1.83m)
Facility receptacle needed	NEMA L15-30R	Hubbell CS8264C or CS8269, 50A or equivalent	IEC60309 4 pole, 5 wire, 380-415 VAC, 16A Hubbell C516C6S, C516R6S, or equivalent	IEC60309 2 pole, 3 wire, 200- 240VAC, 32A Hubbell C332C6S or C332R6S, or equivalent
De-rated capacity	24A	40A	n/a	n/a
Output ratings				
Voltage (VAC)	200-240V 60/50Hz 1U	200-240V 60/50Hz 1U	200-240V 50/60Hz 1U	200-240V 50/60Hz 1U
Current (Amps)				



QuickSpecs

HP Monitored Power Distribution Unit (PDU)

Technical Specifications

Outlet rating	C-13	10A	10A	10A	10A
	C-19	16A	16A	16A	16A
Load segment	L3	13.86A	20A	16A	20A
	L2	13.86A	20A	16A	20A
	L1	13.86A	20A	16A	20A
Maximum Total		41.6A	40A	48A	32A
Power (kVA)					
Per line cord		8.6 kVA	8.3 kVA	11 kVA	7.3 kVA
PDU Total		8.6 kVA	8.3 kVA	11 kVA	7.3 kVA
Number of outlets					
Load segments	C-13	3 load segments 12 x C-13 outlets per segment 1 load segment per electrical phase	3 load segments 12 x C-13 outlets per segment	3 load segments 12 x C-13 outlets per segment 1 load segment per electrical phase	3 load segments 12 x C-13 outlets per segment
	C-19	3 (1 per segment)	3 (1 per segment)	3 (1 per segment)	3 (1 per segment)
PDU total	C-13	36	36	36	36
	C-19	3	3	3	3
Dimensions & Weights					
Product	Height	60 inches (1524 mm)	60 inches (1524 mm)	60 inches (1524 mm)	60 inches (1524 mm)
	Width	1.9 inches (48.26 mm)	1.9 inches (48.26 mm)	1.9 inches (48.26 mm)	1.9 inches (48.26 mm)
	Depth	2.0 inches (50.8 mm) @ outlets	2.0 inches (50.8 mm)@ outlets	2.0 inches (50.8 mm)@ outlets	2.0 inches (50.8 mm)@ outlets
	Weight	25.1 pounds (11.38 Kg)	25.1 pounds (11.38 Kg)	25.1 pounds (11.38 Kg)	25.1 pounds (11.38 Kg)
Shipping	Height	64.8 inches (1645.2 mm)	64.8 inches (1645.2 mm)	64.8 inches (1645.2 mm)	64.8 inches (1645.2 mm)
	Width	7.8 inches (198.12 mm)	7.8 inches (198.12 mm)	7.8 inches (198.12 mm)	7.8 inches (198.12 mm)
	Depth	9.5 inches (241.3 mm)	9.5 inches (241.3 mm)	9.5 inches (241.3 mm)	9.5 inches (241.3 mm)
	Weight	26.1 pounds (11.83 Kg)	26.1 pounds (11.83 Kg)	26.1 pounds (11.83 Kg)	26.1 pounds (11.83 Kg)

Half Rack Vertical PDU Models

Model number	S332 (INTL)	S340 (NA/JPN)	S348 (NA/JPN)
Part number	AF917A	AF536A	AF916A
Input ratings			
Voltage (VAC)	380-415V 50/60Hz 3Ø Wye	200-208V 60/50Hz 3Ø Delta	200-208V 60/50Hz 3Ø Delta
Current (Amps)			
Branch circuit requirements	380-415V, 3Ø, 5-wire, 32A Category D Breaker	208V, 3Ø, 4-wire, 50A	208V, 3Ø, 4-wire, 60A
Input plug/cord rating	IEC60309 532P7 Watertight 4 pole, 5 wire, 380-415VAC, 32A	Hubbell CS8365C 3 pole, 4 wire Twist lock	IEC60309 460P9 Watertight 3 Pole, 4 wire, 250VAC, 60A
Input cord length	72 in (1.83m)	96 in (2.43m)	96 in (2.43m)



QuickSpecs

HP Monitored Power Distribution Unit (PDU)

Technical Specifications

Facility receptacle needed	IEC309 4 pole, 5 wire, 380-415VAC, 32A Hubbell HBL532C6W, HBL532R6W, or equivalent	Hubbell CS8364C (connector), CS8369 (receptacle) or equivalent	IEC309 3 Pole, 4 wire, 250VAC, 60A Hubbell WHBL460C9W, HBL460R9W, or equivalent
De-rated capacity	n/a		48A
Output ratings			
Voltage (VAC)	220-240V 50/60Hz 1 Ø	200-208V 60/50Hz 1 Ø	200-208V 60/50Hz 1 Ø
Current (Amps)			
Outlet rating	C-19	16A	16A
Load segment	L6	20A	20A
	L5	20A	20A
	L4	20A	20A
	L3	20A	20A
	L2	20A	20A
	L1	20A	20A
Power (kVA)	22.1 kVA	14.4 kVA	17.3 kVA
Maximum amperage per phase	32 amps / phase	23 amps / phase	27.7 amps / phase
Number of outlets			
Load segment / line cord	C-19	6 load segments 2 outlets per segment 2 load segments per electrical phase	6 load segments 2 outlets per segment 2 load segments per electrical phase
PDU total	C-19	12	12
Dimensions & Weights			
Product	Height	28.32 inches (719.2 mm)	28.32 inches (719.2 mm)
	Width	3.78 inches (96mm)	3.78 inches (96mm)
	Depth	3.70 inches (94mm)	3.70 inches (94mm)
	Weight	24.2 lbs (11 Kg)	24.2 lbs (11 Kg)
Shipping	Height	33.25 inches (844.55 mm)	33.25 inches (844.55 mm)
	Width	12.9 inches (327.66 mm)	12.9 inches (327.66 mm)
	Depth	10.2 inches (259.08 mm)	10.2 inches (259.08 mm)
	Weight	31 lbs (14.1 Kg)	31 lbs (14.1 Kg)

Half Rack Vertical PDU Single Input Models



QuickSpecs

HP Monitored Power Distribution Unit (PDU)

Technical Specifications

Model number	S124 (NA/JPN)		S132 (INTL)	
Part number	AF914A		AF915A	
Input ratings				
Voltage (VAC)	200-208V 60/50Hz 1U		220-240V 50/60Hz 1U	
Current (Amps)				
Branch circuit requirements	208V, 1Ø, 3-wire, 30A		200-240V, 1Ø, 3-wire, 32A Category D Breaker	
Input Plug/Cord Rating	NEMA L6-30P		IEC60309 332P6 Splashproof 2 pole, 3 wire, 240VAC, 32A	
Input cord length	96 in (2.4m)		96 in (2.4m)	
Facility receptacle needed	NEMA L6-30R		IEC60309 2 pole, 3 wire, 240VAC, 32A Hubbell C332C6S, C332R6S, or equivalent	
De-rated capacity	24A		n/a	
Output ratings				
Voltage (VAC)	200-208V 60/50Hz 1U		220-240V 50/60Hz 1U	
Current (Amps)				
Outlet rating	C-13	10A	10A	
	C-20	16A	16A	
Load segment	L3	20A	20A	
	L2	20A	20A	
	L1	20A	20A	
Total		24A	32A	
Power (kVA)	4.9 kVA		7.3 kVA	
PDU Total	4.9 kVA		7.3 kVA	
Number of outlets				
Load segments	C-13	3 load segments 8 x C-13 outlets per segment	3 load segments 8 x C-13 outlets per segment	
	C-19	3 (1 per segment)	3 (1 per segment)	
PDU total	C-13	24	24	
	C-19	3	3	
Dimensions & Weights				
Product	Height	28.86 inches (733mm)	28.86 inches (733mm)	
	Width	3.78 inches (96mm)	3.78 inches (96mm)	
	Depth	1.97 inches (50mm)	1.97 inches (50mm)	
	Weight			
Shipping	Height	34.4 inches (874.7 mm)	34.4 inches (874.7 mm)	
	Width	7.94 inches (201.6mm)	7.94 inches (201.6mm)	
	Depth	5.13 inches (130.2 mm)	5.13 inches (130.2 mm)	
	Weight	13.2 pounds (5.99 Kg)	13.1 pounds (5.94 Kg)	



Technical Specifications

Disclaimer: HP makes no recommendations regarding power connector manufactures. The manufacturers and model numbers listed in the above tables are strictly for the purpose of providing examples. Please consult a licensed professional to determine the best connector or receptacle for your specific needs.

Environment-friendly Products and Approach

End-of-life Management and Recycling

Hewlett-Packard offers end-of-life HP product return, trade-in, and recycling programs in many geographic areas. For trade-in information, please go to: <http://www.hp.com/go/green>. To recycle your product, please go to: <http://www.hp.com/go/green> or contact your nearest HP sales office. Products returned to HP will be recycled, recovered or disposed of in a responsible manner.

The EU WEEE directive (2002/95/EC) requires manufacturers to provide treatment information for each product type for use by treatment facilities. This information (product disassembly instructions) is posted on the Hewlett Packard web site at: <http://www.hp.com/go/green>. These instructions may be used by recyclers and other WEEE treatment facilities as well as HP OEM customers who integrate and re-sell HP equipment.

© Copyright 2012 Hewlett-Packard Development Company, L.P.

The information contained herein is subject to change without notice.

The only warranties for HP products and services are set forth in the express warranty statements accompanying such products and services. Nothing herein should be construed as constituting an additional warranty. HP shall not be liable for technical or editorial errors or omissions contained herein.

