

## 2.0MP IP IR Dome Camera

ZDIF-2031U-N4T-S



### Features

---

- Up to 2 megapixel (1920 × 1080) resolution, real-time output
- Support ROI function
- Standard video compression with high compression ratio
- Progressive scan CMOS, capture motion video without incised margin
- Support dual stream, and the sub-stream for mobile surveillance
- High-performance and long service life Infrared LED, Approx. 10 to 20 meters IR range
- Built-in Micro SD/SDHC/SDXC card slot, up to 64 GB
- IR cut filter with auto switch
- PoE (Power over Ethernet)
- Ingress Protection level: IP66
- Electronic shutter for different surveillance environments
- Impact Protection: up to IK10
- Other functions: reset, heartbeat, mirror, etc
- Support intrusion detection and line crossing detection

### Specifications

---

Model	ZDIF-2031U-N4T-S
Parameter	2.0MP IP IR Dome Camera
Camera	
Image Sensor	1/2.8" Progressive Scan CMOS
Min. Illumination	0.01lux @(F1.2,AGC ON) , B/W: 0 Lux with IR ON 0.014lux @(F1.4,AGC ON), B/W: 0 Lux with IR ON
Shutter Speed	1/3 s to 1/100,000 s
Lens	2.8 - 12 mm @ F1.4,Angle of view: 98°-30.2°

Angle Adjustment	Pan:0° - 355°, Tilt: 0° - 75°, Rotation: 0° - 355°
Lens Mount	Φ14
Day & Night	IR cut filter with auto switch (Auto Iris)
Digital Noise Reduction	3D DNR
Wide Dynamic Range	True WDR @50 dB
<b>Compression Standard</b>	
Video Compression	H.264/ MJPEG
H.264 Compression Type	BaseLine Profile/Main Profile
Video Bit Rate	32 Kbps – 8 Mbps
Audio Compression	G.711/G.722.1/G.726/MP2L2 @ Two-way
Audio Bit Rate	64Kbps(G.711)/ 16Kbps(G.722.1)/ 16Kbps(G.726)/ 32-128Kbps(MP2L2)
Dual Stream	Yes, Multicast
<b>Image</b>	
Max. Resolution	1920×1080
Frame Rate	50Hz: 25fps(1920 × 1080), 25fps (1280 × 960), 25fps (1280 × 720) 60Hz: 30fps(1920 × 1080), 30fps (1280 × 960), 30fps (1280 × 720)
Image Settings	Rotate mode, Saturation, Brightness, Contrast adjustable
Backlight compensation	Yes, zone optional
ROI	Support
<b>Network</b>	
Alarm Trigger	Line crossing, Intrusion detection, Motion detection, Dynamic analysis, Tampering alarm, Network disconnect , IP address conflict,

	Storage exception
Protocols	TCP/IP, UDP,ICMP,HTTP,HTTPS,FTP,DHCP,DNS,DDNS,RTP,RTSP,RTCP, PPPoE,NTP,UPnP,SMTP,SIP,SNMP,IGMP,802.1X,QoS,IPv6,Bon jour
General	One-key reset, Flash-prevention, dual stream, heartbeat, mirror, password protection, privacy mask, watermark, IP address filtering, Anonymous access, SDK support
Standard	ONVIF
<b>Interface</b>	
Communication Interface	1 RJ45 10M/100M Ethernet interface
Alarm interface	1 alarm I/O
Audio interface	1 audio I/O
On-board storage	Built-in Micro SD/SDHC/SDXC card slot, up to 64 GB
<b>General</b>	
Operating Conditions	-30 °C – 60 °C (-22 °F – 140 °F) Humidity 95% or less (non-condensing)
Power Supply	12 V DC ± 10% PoE (802.3af)
Power Consumption	Max. 5.5 W
Ingress Protection level	IP66
Impact Protection	up to IK10
IR Range	30 meters
Dimensions	Φ 140 × 99.9 mm (Φ 5.51" × 3.94")
Weight	1000g

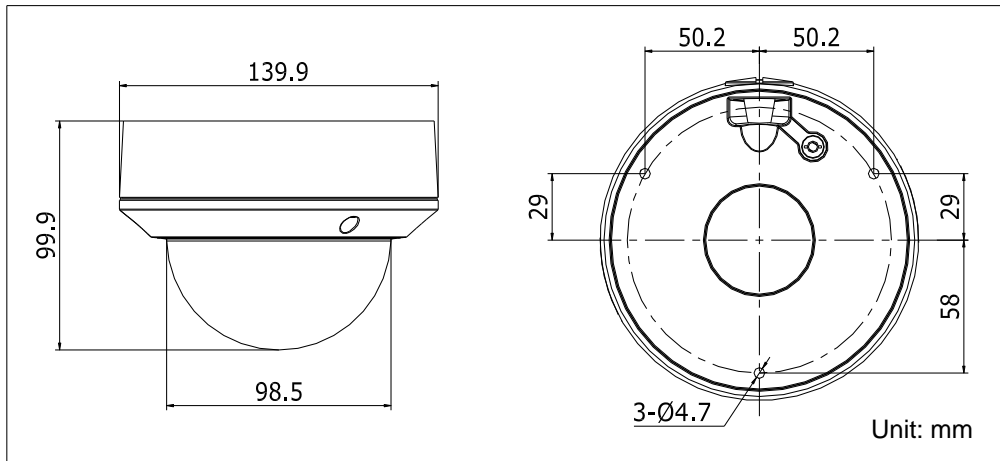
## Order Model

---

ZDIF-2031U-N4T-S:DC12V/PoE

## Dimensions (Unit: mm)

---



**Disclaimer: ZNV reserves the right to update product specifications without prior notice.**