



● Product specification (design and specification subject to change without notice)

■ DISPLAY PANEL

Screen Size (Diagonal)	42-inch (1064 mm)
Panel type	IPS / Edge-LED
Aspect ratio	16:9
Effective Display Area (W x H)	36.5" x 20.5" (927 x 521 mm)
Number of pixels (H x V)	1920 x 1080 pixels
Brightness	700 cd/m ² (Typ)
Contrast Ratio	1300:1
Dynamic Contrast	50000:1
Response Time	8 ms (G to G)
Viewing Angle (Horizontal / Vertical)	178° / 178° (CR ≥ 10)
Panel Surface Treatment	Anti glare type (Haze 10%)
Panel Life Time*1	approx. 60000 hours (typ)

*1 When the panel lifetime is at 50% of the brightness under the condition of 25 degrees Celsius (+/- 2 degrees Celsius).

■ CONNECTION TERMINAL

HDMI IN	HDMI Type A Connector x 2	Linear PCM (Sampling frequency : 48 kHz/44.1 kHz/32 kHz)
COMPONENT / RGB IN	BNC x 1	Y/G : BNC Contact Plug with sync 1.0 V [p-p] (75 Ω) P _B /C _B /B : BNC Contact Plug 0.7 V [p-p] (75 Ω) P _B /C _R /R : BNC Contact Plug 0.7 V [p-p] (75 Ω)
AUDIO IN	Stereo Mini Jack (M3) x 1 (Shared with VIDEO IN)	0.5 V [rms]
VIDEO IN	BNC x 1 (Shared with COMPONENT/RGB Y/G)	1.0 V [p-p] (75 Ω)
AUDIO IN	Stereo mini Jack (M3) x 1 (Shared with COMPONENT IN)	0.5 V [rms]
DVI-D IN	DVI-D 24-pin x 1	Compliance with DVI Revision 1.0 Compatible with HDCP 1.1
AUDIO IN	Stereo mini Jack (M3) x 1 (Shared with PC IN)	0.5 V [rms]
DVI-D OUT	DVI-D 24-pin x 1	Compliance with DVI Revision 1.0 Compatible with HDCP 1.1
PC IN	Mini D-Sub 15-pin x 1 (Female)	Y/G : with sync 1.0 V [p-p] (75 Ω) : without sync 0.7 V [p-p] (75 Ω) P _B /C _B /B : 0.7 V [p-p] (75 Ω) P _B /C _R /R : 0.7 V [p-p] (75 Ω) HD/VD : 1.0 - 5.0 V [p-p] (high impedance)
AUDIO IN	Stereo mini Jack (M3) x 1 (Shared with DVI-D IN)	0.5 V [rms]
SERIAL IN / OUT	D-sub 9-pin x 1 / x 1, RS-232C Compatible	
LAN / DIGITAL LINK IN	RJ45 x 1 100BASE-TX, compatible with PLink	
IR TRANSMITTER IN / OUT	Stereo Mini Jack (M3) x 1 / x 1	
AUDIO OUT	Stereo Mini Jack (M3) x 1	0.5 V [rms]
USB	USB 2.0 Type A connector x 1 DC 5 V/1A (USB 3.0 is not supported.)	Variable (-∞ - 0 dB) (1 kHz 0 dB Input, 10 k Ω Load)

■ AUDIO

Built in Speaker	10 W (8 Ω, Full Range : 80 mm x 30 mm) x 2
Audio Output	20 W [10 W + 10 W]

■ ELECTRICAL

Power Requirements	110 - 127 V AC 50 Hz / 60 Hz
Power Consumption	155 W
On Mode Average Power Consumption*	110 W
Power Off Condition	approx. 0.3 W
Stand-by Condition	approx. 0.5 W
Apparent power	165 VA

*Based on IEC 62087 Ed.2 measurement method

■ MECHANICAL

Dimensions (W x H x D)	37.3" x 21.3" x 2.9" (947 x 541 x 72 mm)
Dimensions (W x H x D) (Excluding handle part)	37.3" x 21.3" x 2.3" (947 x 541 x 57 mm)
Weight	approx. 34.2 lbs. (15.5 kg)
Bezel Color	Black
Bezel Width	T/B/R/L : 0.25" (6.3 mm)
Carton Dimensions (W x H x D)	44.3" x 29.3" x 8.0" (1123 x 743 x 203 mm)
Gross Weight	approx. 44.1 lbs. (20 kg)
Cabinet Material	Metal (Front, Back cover)
Pitch for Wall-Hanging	VESA Compliant 7.9" x 7.9" (200 x 200 mm) (Installed by : M6 screws / Screw hole depth 0.39" (10 mm))

■ INSTALLATION

Orientation	Landscape / Portrait (Angle adjustment 0 - 45 degrees for both left and right)
Tilting Angle	0 - 45 degrees forward / backward with landscape / portrait setting (Angle adjustment is not possible for forward / backward tilting installation.)

*Please contact your sales representative with regard to the tilt angle before installation.

■ ENVIRONMENTAL

Operating Environment	Temperature	: 32° F to 104° F (0° C to 40° C) *1 : 32° F to 95° F (0° C to 35° C) *2
	Humidity	: 20% to 80% (No condensation)
	Altitude	: 0 to 9186 ft (0 to 2800 m)
Storage Environment	Temperature	: -4° F to 140° F (-20° C to 60° C)
	Humidity	: 20% to 80% (No condensation)

*1 : for up to 4593 ft (1400 m) altitude *2 : for between 4593 ft (1400 m) and 9186 ft (2800 m) altitude
Depending on the temperature or humidity conditions, uneven brightness may be observed. This is not a malfunction.
• This unevenness will disappear while applying current continuously. If not, consult the distributor.

UPC Code	885170304031
----------	--------------

MAIN FEATURE

DIGITAL LINK	Yes
USB Media Player	Yes
Failback / Failover	Yes
Data Cloning	Yes
Digital ZOOM	Yes
Multi display settings	Yes
Power on screen delay	Yes
Auto setting	Yes
Screensaver	Yes
PC/DVI/HDMI/DIGITAL LINK power management	Yes
Power save	Yes
Button lock	Yes
Controller user level	Yes
Input search	Yes
6-segment colour management	Yes
Dynamic contrast	Yes
Colour enhancement	Yes
Refine enhancer	Yes
Gradation smoother	Yes
Dynamic backlight control	Yes
Set up timer	Yes
AMX D.D.	Yes
Crestron Connected™	Yes
Extron XTP	Yes
WEB Browser control	Yes
PJLink	Yes
Early Warning Software compatible	Yes
Multi Monitoring & Control Software compatible	Yes
Light ID Transmission compatible	Yes
Operating Time	24h/day

*The brightness of the display panel is equivalent to about 75% its full capacity, when the Light ID is transmitted. The displayed image may flicker, but this is due to a change in the brightness during Light ID transmission and not due to trouble.
 *In case of running for a long time, the moving image is recommended to be displayed. If you display a still picture for an extended period, the image retention might remain on the screen. However, image retention can gradually disappear by displaying a moving images.
 * Specifications and appearance are subject to change without notice.

STANDARD (CERTIFICATIONS)

SAFETY REGULATIONS	UL 60950-1 CAN/CSA-C22.2 No. 60950-1A-07-Information Technology Equipment - Safety - Part 1 UL Certificate of Compliance (UL Mexico issue)
RADIATION REGULATIONS	FCC 47 CFR, PART15 Subpart B Class A 2013, ANSI C63.4-2009 Personal computer and peripherals ICES-003 Issue6

REMOTE CONTROL TRANSMITTER

Power Requirements	DC 3 V (2 x AAA Size batteries)
Operating distance	approx. 23 ft (7 m)*
Weight	approx. 2.2 oz (63 g) including batteries
Dimensions (W x H x D)	1.7" x 4.1" x 0.8" (44 x 105 x 20.5 mm)

*When operated directly in front of receptor.

INCLUDED ACCESSORIES

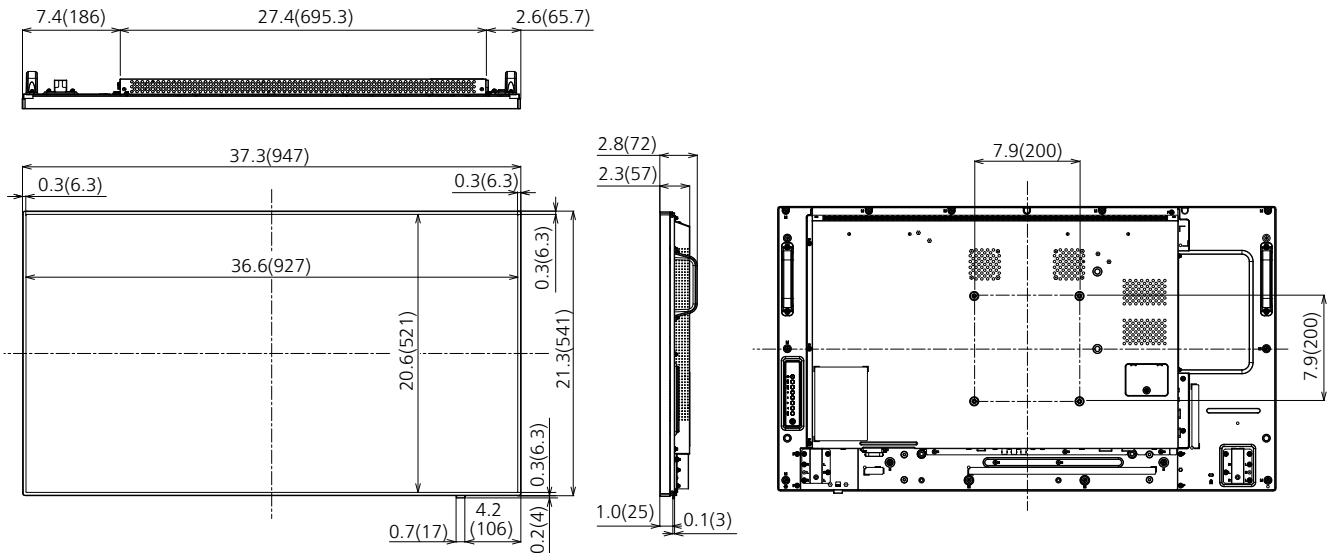
- AC cord (78.7" (2.0 m))	- Remote Control	- Batteries (AAA size) x 2
- Clamper x 3	- CD-ROM / User Manual	

OPTIONAL ACCESSORIES

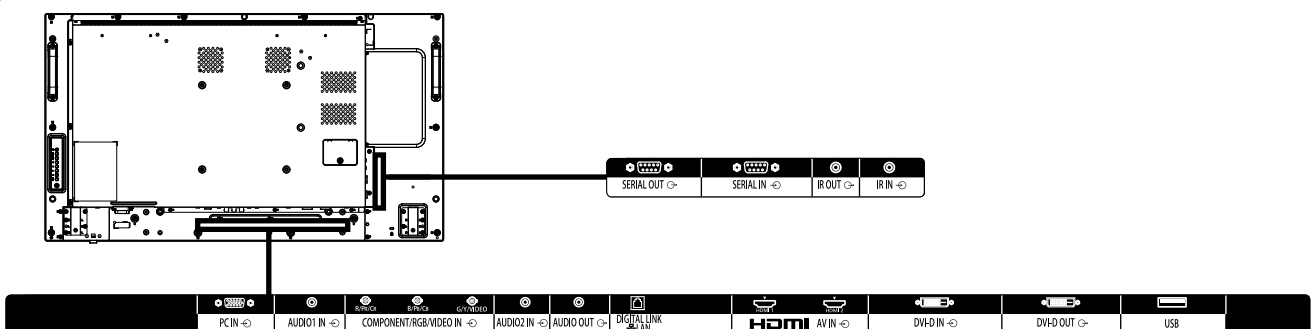
Pedestal Stand	TY-ST43PE8
----------------	------------

DIMENSIONS

Cautions: This drawing is not a scale
Units : inches (mm)



CONNECTION TERMINAL



* Specifications and appearance are subject to change without notice.

List of correspondence signals

The picture signal which can indicate this machine is as it is the following table.

V : VIDEO
R : D-sub RGB
Y : YCbCr/YPrPb

D : DVI-D
H : HDMI
DL : DIGITAL LINK

Correspondence signal	Resolution (dot)	Scan rate		Dot clock rate (MHz)	Format	DIGITAL LINK
		Horizontal (kHz)	Vertical (Hz)			
NTSC/NTSC4.43/ PAL-M/PAL60	720 x 480i	15.73	59.94	-	V	
PAL/PAL-N/SECAM	720 x 576i	15.63	50.00	-	V	
525i (480i)	720 x 480	15.73	59.94	13.50	R/Y	
625i (576i)	720 x 576i	15.63	50.00	13.50	R/Y	
525i (480i)	720 (1440) x 480i ²	15.73	59.94	27.00	D/H	DL
625i (576i)	720 (1440) x 576i ²	15.63	50.00	27.00	D/H	DL
525p (480p)	720 x 483	31.47	59.94	27.00	R/Y/D/H	DL
625p (576p)	720 x 576	31.25	50.00	27.00	R/Y/D/H	DL
750 (720) /60p	1280 x 720	45.00	60.00	74.25	R/Y/D/H	DL
750 (720) /50p	1280 x 720	37.50	50.00	74.25	R/Y/D/H	DL
1125 (1080) /60i ¹	1920 x 1080i	33.75	60.00	74.25	R/Y/D/H	DL
1125 (1080) /50i	1920 x 1080i	28.13	50.00	74.25	R/Y/D/H	DL
1125 (1080) /24p	1920 x 1080	27.00	24.00	74.25	R/Y/D/H	DL
1125 (1080) /24PsF	1920 x 1080i	27.00	48.00	74.25	R/Y	
1125 (1080) /25p	1920 x 1080	28.13	25.00	74.25	R/Y/D/H	DL
1125 (1080) /30p	1920 x 1080	33.75	30.00	74.25	R/Y/D/H	DL
1125 (1080) /60p	1920 x 1080	67.50	60.00	148.50	R/Y/D/H	DL
1125 (1080) /50p	1920 x 1080	56.25	50.00	148.50	R/Y/D/H	DL
640 x 400	640 x 400	31.47	70.09	25.18	R/Y/D/H	DL
	640 x 400	37.86	85.08	31.50	R/Y/D/H	DL
640 x 480	640 x 480	31.47	59.94	25.18	R/Y/D/H	DL
	640 x 480	35.00	66.67	30.24	R/Y/D/H	DL
	640 x 480	37.86	72.81	31.50	R/Y/D/H	DL
	640 x 480	37.50	75.00	31.50	R/Y/D/H	DL
	640 x 480	43.27	85.01	36.00	R/Y/D/H	DL
800 x 600	800 x 600	35.16	56.25	36.00	R/Y/D/H	DL
	800 x 600	37.88	60.32	40.00	R/Y/D/H	DL
	800 x 600	48.08	72.19	50.00	R/Y/D/H	DL
	800 x 600	46.88	75.00	49.50	R/Y/D/H	DL
	800 x 600	53.67	85.06	56.25	R/Y/D/H	DL
832 x 624	832 x 624	49.72	74.55	57.28	R/Y/D/H	DL
852 x 480	852 x 480	31.47	59.94	34.24	D/H	DL
1024 x 768	1024 x 768	39.55	50.00	51.89	D/H	DL
	1024 x 768	48.36	60.00	65.00	R/Y/D/H	DL
	1024 x 768	56.48	70.07	75.00	R/Y/D/H	DL
	1024 x 768	60.02	75.03	78.75	R/Y/D/H	DL
	1024 x 768	65.55	81.63	86.00	R/Y/D/H	DL
	1024 x 768	68.68	85.00	94.50	R/Y/D/H	DL
1066 x 600	1066 x 600	37.64	59.94	53.00	D/H	DL
1152 x 864	1152 x 864	53.70	60.00	81.62	D/H	DL
	1152 x 864	63.99	70.02	94.20	R/Y/D/H	DL
	1152 x 864	67.50	75.00	108.00	R/Y/D/H	DL
	1152 x 864	77.09	85.00	119.65	R/Y/D/H	DL
1152 x 870	1152 x 870	68.68	75.06	100.00	R/Y/D/H	DL
1280 x 720	1280 x 720	44.76	60.00	74.48	R/Y/D/H	DL
1280 x 768	1280 x 768	39.55	49.94	65.18	R/Y/D/H	DL
	1280 x 768	47.70	60.00	80.14	R/Y/D/H	DL
	1280 x 768	47.78	59.87	79.50	R/Y/D/H	DL
1280 x 800	1280 x 800	41.20	50.00	68.56	R/Y/D/H	DL
	1280 x 800	49.31	59.91	71.00	R/Y/D/H	DL
	1280 x 800	49.70	59.81	83.50	R/Y/D/H	DL
1280 x 960	1280 x 960	60.00	60.00	108.00	R/Y/D/H	DL
	1280 x 960	85.94	85.00	148.50	R/Y	
1280 x 1024	1280 x 1024	63.98	60.02	108.00	R/Y/D/H	DL
	1280 x 1024	79.98	75.02	135.00	R/Y/D/H	DL
	1280 x 1024	91.15	85.02	157.50	R/Y/D/H	DL
1360 x 768	1360 x 768	47.71	60.02	85.50	D/H	DL
	1360 x 768	47.70	60.00	84.72	D/H	DL
	1360 x 768	47.72	59.80	84.75	D/H	DL
1366 x 768	1366 x 768	39.55	50.00	69.92	D/H	DL
	1366 x 768	48.39	60.03	86.71	R/Y/D/H	DL
	1366 x 768	48.00	60.00	72.00	R/Y/D/H	DL
	1366 x 768	39.56	49.89	69.00	R/Y/D/H	DL
	1366 x 768	47.71	59.79	85.50	R/Y/D/H	DL
1400 x 1050	1400 x 1050	65.22	60.00	122.61	D/H	DL
	1400 x 1050	82.20	75.00	155.85	R/Y/D/H	DL
1440 x 900	1440 x 900	55.47	59.90	88.75	R/Y/D/H	DL
	1440 x 900	55.92	60.00	106.47	R/Y/D/H	DL
1600 x 900	1600 x 900	46.30	50.00	97.05	D/H	DL
	1600 x 900	60.00	60.00	108.00	D/H	DL
	1600 x 900	55.99	59.95	118.25	D/H	DL
	1600 x 900	55.92	60.00	119.00	D/H	DL
1680 x 1050	1680 x 1050	65.29	59.95	146.25	R/Y/D/H	DL
1600 x 1200	1600 x 1200 ³	75.00	60.00	162.00	R/Y/D/H	DL
1920 x 1080	1920 x 1080 ⁴	66.59	59.93	138.50	R/Y/D/H	DL
	1920 x 1080	67.50	60.00	148.50	R/Y/D/H	DL
1920 x 1200	1920 x 1200 ³	74.04	59.95	154.00	R/Y/D/H	DL

● The signal format distinguished automatically will be sometimes indication different from an actual input signal.

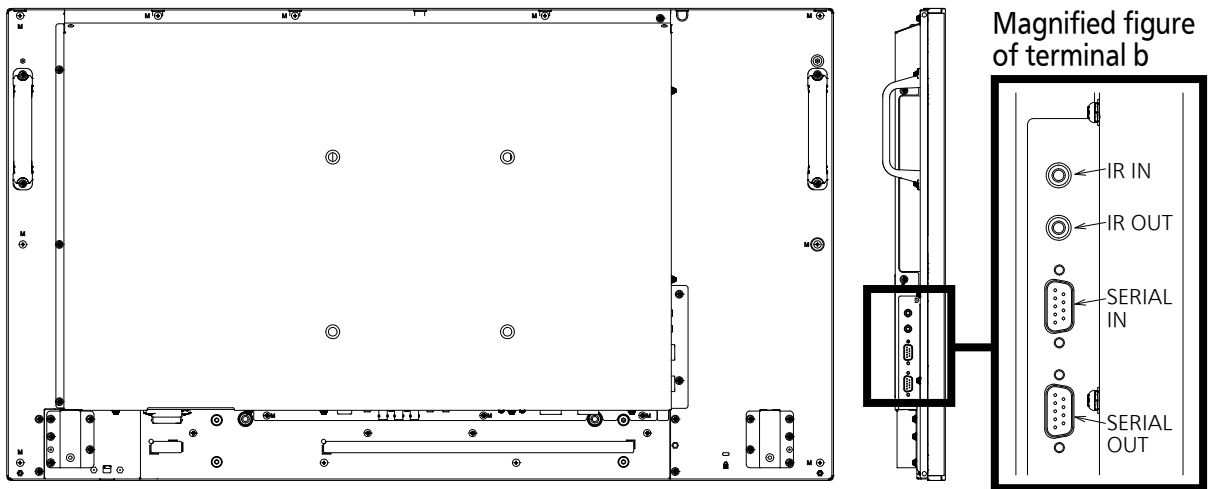
*1 : When 1125 (1035) /60i signal is input, it is displayed as 1125 (1080) /60i signal. *3 : Displayed with image elements thinned out in the image processing circuit.

*2 : Pixel-Repetition signal (dot clock frequency 27.0 MHz) only

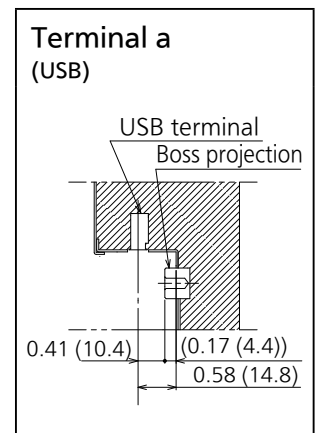
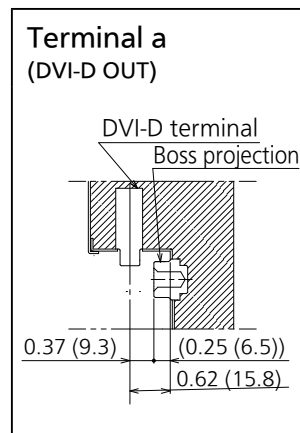
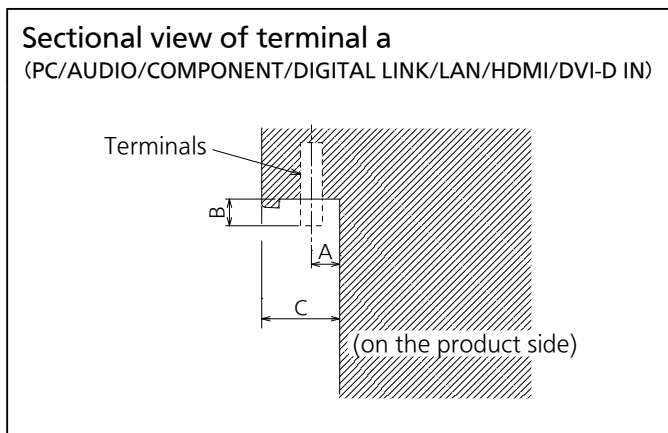
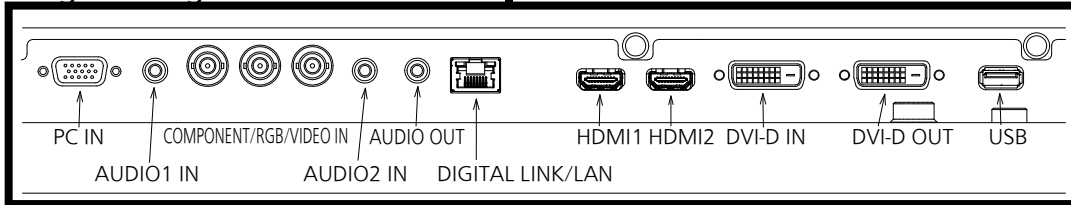
*4 : Based on VESA CVT-RB (Reduced Blanking) standard

Drawing of terminals

View from back



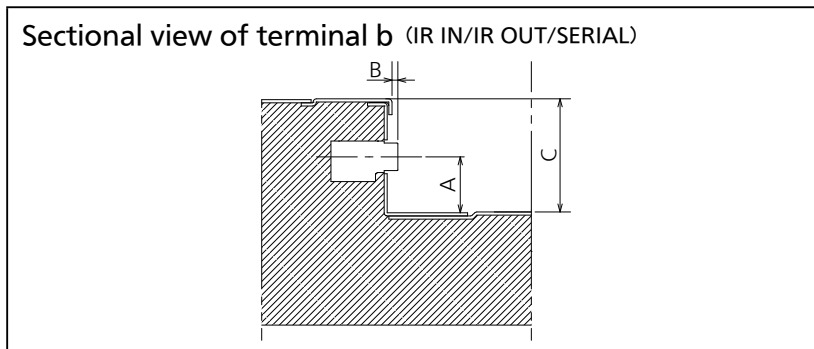
Magnified figure of terminal a



Terminal a
42SF1HU Terminal (Bottom)

Units : inches (mm)

	PC	AUDIO	COMPONENT	DIGITAL LINK/LAN	HDMI	DVI-D IN
A	0.67 (17.1)	0.68 (17.3)	0.74 (18.9)	0.6 (15.2)	0.56 (14.2)	0.62 (15.8)
B	0.17 (4.3)	0.07 (1.7)	0.43 (10.8)			0.19 (4.7)
C	1.26 (32.0)					



Terminal b
42SF1HU Terminal (Side)

Units : inches (mm)

	IR IN/OUT	SERIAL
A	0.56 (14.2)	
B	0.06 (1.5)	0.16 (4.0)
C	1.13 (28.7)	

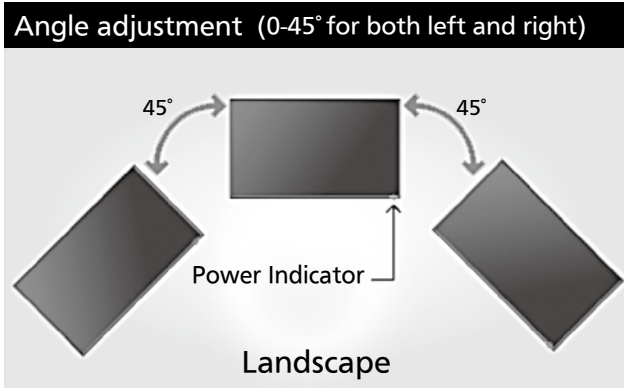
*Due to the construction of terminal, some types of connecting cable or USB memory device cannot be used. Be sure to use connecting cable or USB memory device after confirmation in this drawing.

● Installation precautions

The SF1H Series is designed for use in either portrait or horizontal orientation with angle adjustment. Tilting installation up to 45 degrees forward or backward is also possible. You can install as shown the example figures.

Orientation	Landscape / Portrait (Angle adjustment 0 - 45 degrees for both left and right)
Tilting angle	0 - 45 degrees forward / backward with landscape / portrait setting (Angle adjustment is not possible for forward / backward tilting installation.)

◆ Orientation



◆ Tilting angle

