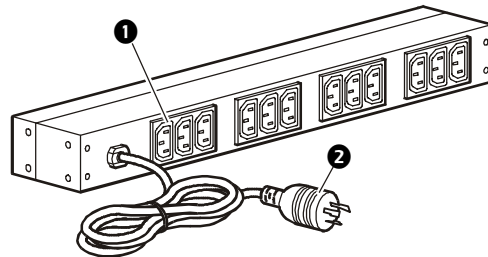


Rack Power Distribution Unit—AP9566 and AP9570

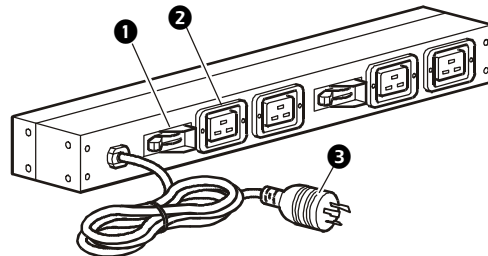
APC's AP9566 and AP9570 are Rack Power Distribution Units (PDUs) that provide 208-volt power to rack-mounted equipment.

AP9566



- ❶ 12 IEC-320-C13 outlets
- ❷ 12-foot NEMA L6-20 power cord

AP9570



- ❶ 2 20-amp circuit breakers
- ❷ 4 IEC-320-C19 outlets
- ❸ 12-foot NEMA L6-30 power cord

Safety and Grounding

Read the following information before installing or operating your APC Power Distribution Unit (PDU):

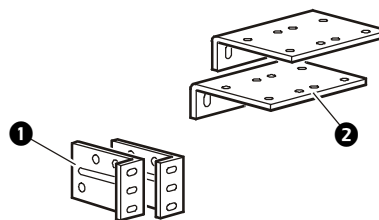
- This PDU is intended for indoor use only.
- Do not install this PDU where excessive moisture or heat is present.
- Never install any wiring, equipment, or PDUs during a lightning storm.
- Plug this PDU into a three-wire, grounded power outlet only. The power outlet must be connected to appropriate branch circuit/ mains protection (fuse or circuit breaker). Connection to any other type of power outlet may result in a shock hazard.
- Use only the supplied brackets for mounting.
- Do not use extension cords or adapters with this PDU.
- Do not work alone under hazardous conditions.
- Check that the power cord, plug, and socket are in good condition.
- Disconnect the PDU from the power outlet before you install or connect equipment to reduce the risk of electric shock when you cannot verify grounding. Reconnect the PDU to the power outlet only after you make all connections.



Risk of electrical shock. Use only the supplied hardware to attach the mounting brackets.

Installation

Mounting brackets



- ❶ Brackets for horizontal mounting
- ❷ Brackets for vertical mounting

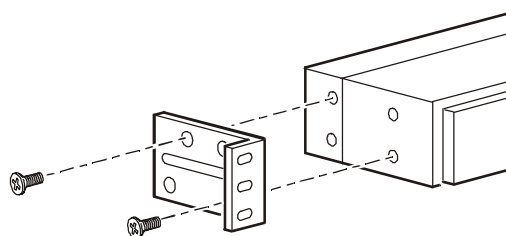


Note

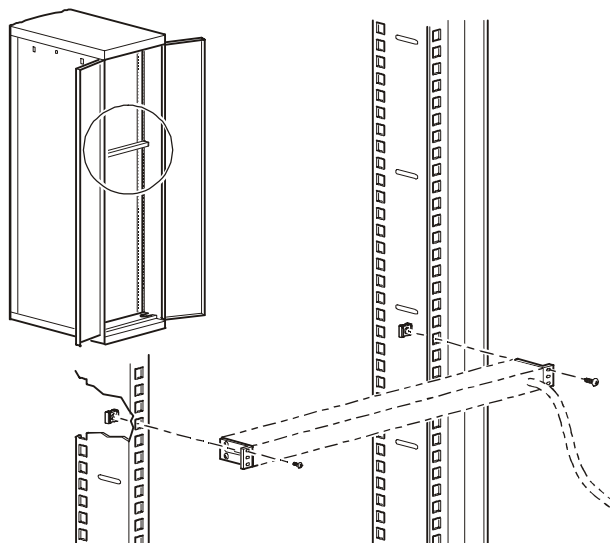
Each PDU is packaged with two types of mounting brackets (for horizontal and vertical mounting). Choose your mounting orientation and attach the appropriate brackets to the PDU for installation.

Horizontal mounting (any standard 19-inch EIA-310 rack or enclosure)

1. Attach the horizontal-mounting brackets to the PDU, using two screws (provided).

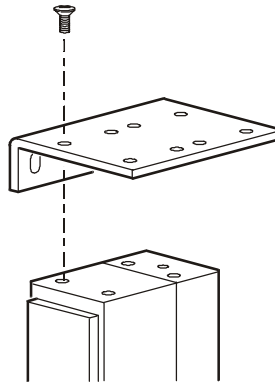


2. Install the PDU using hardware included with your rack or enclosure. The PDU will occupy one U-space.

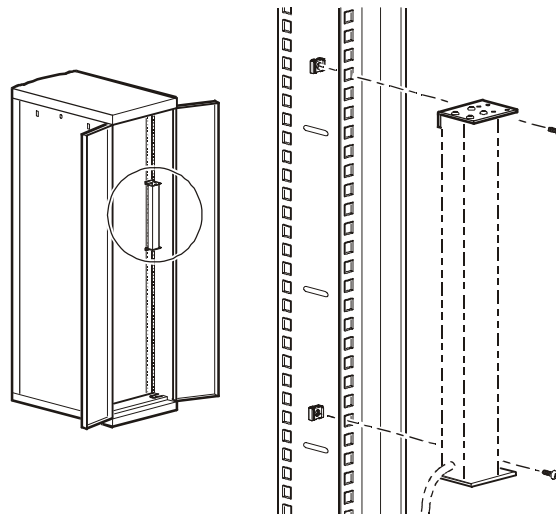


**Vertical mounting
(any standard EIA-310
rack or enclosure)**

1. Attach the vertical-mounting brackets to the PDU, using two screws (provided).



2. Install the PDU on a vertical mounting rail in your rack or enclosure.



Specifications

	AP9566	AP9570
Electrical		
Nominal input voltage	208 V	
Input frequency	50/60 Hz	
Input connector	NEMA L6-20 plug	NEMA L6-30 plug
Output connectors	12 IEC-320-C13 outlets	4 IEC-320-C19 outlets
Maximum total current draw	16 A	24 A
Physical		
Size (H × W × D)	1.75 × 17.60 × 2.25 in (4.45 × 44.70 × 5.72 cm)	1.75 × 17.60 × 2.50 in (4.45 × 44.70 × 6.35 cm)
Shipping size (H × W × D)	2.75 × 18.25 × 9.00 in (7.00 × 46.35 × 22.86 cm)	
Weight	5.5 lb (2.5 kg)	6.0 lb (2.72 kg)
Shipping weight	8.0 lb (3.6 kg)	8.5 lb (3.86 kg)
Environmental		
Elevation (above MSL) Operating: Storage:	0–10,000 ft (0–3000 m) 0–50,000 ft (0–15 000 m)	
Temperature Operating: Storage:	0 to 45° C (32 to 115° F) –25 to 65° C (–13 to 149° F)	
Humidity Operating: Storage:	0–95% RH Non-condensing 0–95% RH Non-condensing	
Approvals		
Safety verification	UL 1950	cUL, UL 1950

Warranty and Service

Limited warranty

APC warrants the PDU to be free from defects in materials and workmanship for a period of two years from the date of purchase. Its obligation under this warranty is limited to repairing or replacing, at its own sole option, any such defective products. This warranty does not apply to equipment that has been damaged by accident, negligence, or misapplication or has been altered or modified in any way. This warranty applies only to the original purchaser.

Warranty limitations

Except as provided herein, APC makes no warranties, express or implied, including warranties of merchantability and fitness for a particular purpose. Some jurisdictions do not permit limitation or exclusion of implied warranties; therefore, the aforesaid limitation(s) or exclusion(s) may not apply to the purchaser.

Except as provided above, in no event will APC be liable for direct, indirect, special, incidental, or consequential damages arising out of the use of this product, even if advised of the possibility of such damage.

Specifically, APC is not liable for any costs, such as lost profits or revenue, loss of equipment, loss of use of equipment, loss of software, loss of data, costs of substitutes, claims by third parties, or otherwise. This warranty gives you specific legal rights and you may also have other rights, which vary according to jurisdiction.

Obtaining service

To obtain support for problems with your PDU:

1. Note the serial number and date of purchase. The serial number is located on the bottom of the PDU.
2. Contact Customer Support at a phone number located on the back cover. A technician will try to help you solve the problem by phone.
3. If you must return the product, the technician will give you a return material authorization (RMA) number. If the warranty expired, you will be charged for repair or replacement.
4. Pack the unit carefully. The warranty does not cover damage sustained in transit. Enclose a letter with your name, address, RMA number and daytime phone number; a copy of the sales receipt; and a check as payment, if applicable.
5. Mark the RMA number clearly on the outside of the shipping carton.
6. Ship by insured, prepaid carrier to the address provided by the Customer Support technician.

Life-Support Policy

General policy

American Power Conversion (APC) does not recommend the use of any of its products in the following situations:

- In life-support applications where failure or malfunction of the APC product can be reasonably expected to cause failure of the life-support device or to affect significantly its safety or effectiveness.
- In direct patient care.

APC will not knowingly sell its products for use in such applications unless it receives in writing assurances satisfactory to APC that (a) the risks of injury or damage have been minimized, (b) the customer assumes all such risks, and (c) the liability of American Power Conversion is adequately protected under the circumstances.

Examples of life-support devices

The term *life-support device* includes but is not limited to neonatal oxygen analyzers, nerve stimulators (whether used for anesthesia, pain relief, or other purposes), autotransfusion devices, blood pumps, defibrillators, arrhythmia detectors and alarms, pacemakers, hemodialysis systems, peritoneal dialysis systems, neonatal ventilator incubators, ventilators (for adults and infants), anesthesia ventilators, infusion pumps, and any other devices designated as “critical” by the U.S. FDA.

Hospital-grade wiring devices and leakage current protection may be ordered as options on many APC UPS systems. APC does not claim that units with these modifications are certified or listed as hospital-grade by APC or any other organization. Therefore these units do not meet the requirements for use in direct patient care.



APC Worldwide Customer Support

Customer support for this or any other APC product is available at no charge in any of the following ways:

- Visit the APC Web site to find answers to frequently asked questions (FAQs), to access documents in the APC Knowledge Base, and to submit customer support requests.
 - **www.apc.com** (Corporate Headquarters)
Connect to localized APC Web sites for specific countries, each of which provides customer support information.
 - **www.apc.com/support/**
Global support with FAQs, knowledge base, and e-support.
- Contact an APC Customer Support center by telephone or e-mail.
 - Regional centers:

APC headquarters U.S., Canada	(1)(800)800-4272 (toll free)
Latin America	(1)(401)789-5735 (USA)
Europe, Middle East, Africa	(353)(91)702055 (Ireland)
Japan	(0) 3 5434-2021
Australia, New Zealand, South Pacific	(61) (2) 9955 9366 (Australia)

- Local, country-specific centers: go to **www.apc.com/support/contact** for contact information.

Contact the APC representative or other distributor from whom you purchased your APC product for information on how to obtain local customer support.

Entire contents copyright © 2003 American Power Conversion. All rights reserved.
Reproduction in whole or in part without permission is prohibited. APC and the APC logo are trademarks of American Power Conversion Corporation and may be registered in some jurisdictions. All other trademarks, product names, and corporate names are the property of their respective owners and are used for informational purposes only.