

SHARP®

PN-V600A

LCD MONITOR
MONITEUR LCD
MONITOR LCD

SETUP MANUAL
MANUEL D'INSTALLATION
MANUAL DE INSTALACIÓN

ENGLISH

FRANÇAIS

ESPAÑOL

HDMI™
HIGH-DEFINITION MULTIMEDIA INTERFACE

ENGLISH E1
FRANÇAIS F1
ESPAÑOL S1

IMPORTANT:

To aid reporting in case of loss or theft, please record the product's model and serial numbers in the space provided. The numbers are located in the rear of the product.

Model No.:

Serial No.:

U.S.A. ONLY

FOR CUSTOMERS IN U.K.

IMPORTANT

The wires in this mains lead are coloured in accordance with the following code:

GREEN-AND-YELLOW:	Earth
BLUE:	Neutral
BROWN:	Live

As the colours of the wires in the mains lead of this apparatus may not correspond with the coloured markings identifying the terminals in your plug proceed as follows:

- The wire which is coloured GREEN-AND-YELLOW must be connected to the terminal in the plug which is marked by the letter **E** or by the safety earth \perp or coloured green or green-and-yellow.
- The wire which is coloured BLUE must be connected to the terminal which is marked with the letter **N** or coloured black.
- The wire which is coloured BROWN must be connected to the terminal which is marked with the letter **L** or coloured red.

Ensure that your equipment is connected correctly. If you are in any doubt consult a qualified electrician.




“WARNING: THIS APPARATUS MUST BE EARTHED.”

IMPORTANT INFORMATION	1	Connections	5
DEAR SHARP CUSTOMER	1	Turning Power On/Off	7
SAFETY PRECAUTIONS	2	Main Specifications	8
SAFETY INSTRUCTIONS	3	Mounting Precautions (For SHARP dealers and service engineers)	8
MOUNTING PRECAUTIONS	4		
Supplied Components	4		

Read the manuals in the "Manual" folder of the provided CD-ROM. (Adobe Reader is required to view the manuals.)

IMPORTANT INFORMATION

WARNING: TO REDUCE THE RISK OF FIRE OR ELECTRIC SHOCK, DO NOT EXPOSE THIS PRODUCT TO RAIN OR MOISTURE.

 <div style="border: 1px solid black; padding: 5px; width: fit-content; margin: 0 auto;"> <p>CAUTION</p> <p>RISK OF ELECTRIC SHOCK DO NOT OPEN</p> </div> 	<p>The lightning flash with arrowhead symbol, within a triangle, is intended to alert the user to the presence of uninsulated "dangerous voltage" within the product's enclosure that may be of sufficient magnitude to constitute a risk of electric shock to persons.</p>
<p>CAUTION: TO REDUCE THE RISK OF ELECTRIC SHOCK, DO NOT REMOVE COVER. NO USER-SERVICEABLE PARTS INSIDE. REFER SERVICING TO QUALIFIED SERVICE PERSONNEL.</p>	 <p>The exclamation point within a triangle is intended to alert the user to the presence of important operating and maintenance (servicing) instructions in the literature accompanying the product.</p>

WARNING:
FCC Regulations state that any unauthorized changes or modifications to this equipment not expressly approved by the manufacturer could void the user's authority to operate this equipment.

NOTE:
This equipment has been tested and found to comply with the limits for Class A digital device, pursuant to Part 15 of the FCC Rules. These limits are designed to provide reasonable protection against harmful interference when the equipment is operated in a commercial environment. This equipment generates, uses, and can radiate radio frequency energy and, if not installed and used in accordance with the instruction manual, may cause harmful interference to radio communications. Operation of this equipment in a residential area is likely to cause harmful interference in which case the user will be required to correct the interference at his own expense.

U.S.A. ONLY

DEAR SHARP CUSTOMER

Thank you for your purchase of a SHARP LCD product. To ensure safety and many years of trouble-free operation of your product, please read the Safety Precautions carefully before using this product.

SAFETY PRECAUTIONS

Electricity is used to perform many useful functions, but it can also cause personal injuries and property damage if improperly handled. This product has been engineered and manufactured with the highest priority on safety. However, improper use can result in electric shock and/or fire. In order to prevent potential danger, please observe the following instructions when installing, operating and cleaning the product. To ensure your safety and prolong the service life of your LCD product, please read the following precautions carefully before using the product.

1. Read instructions — All operating instructions must be read and understood before the product is operated.
2. Keep this manual in a safe place — These safety and operating instructions must be kept in a safe place for future reference.
3. Observe warnings — All warnings on the product and in the instructions must be observed closely.
4. Follow instructions — All operating instructions must be followed.
5. Cleaning — Unplug the power cord from the AC outlet before cleaning the product. Use a dry cloth to clean the product. Do not use liquid cleaners or aerosol cleaners.
6. Attachments — Do not use attachments not recommended by the manufacturer. Use of inadequate attachments can result in accidents.
7. Water and moisture — Do not use the product near water. Do not install the product in a place where water may splash onto it. Be careful of equipment which drains water such as an air-conditioner.
8. Ventilation — The vents and other openings in the cabinet are designed for ventilation. Do not cover or block these vents and openings since insufficient ventilation can cause overheating and/or shorten the life of the product. Do not place the product on a sofa, rug or other similar surface, since they can block ventilation openings. Do not place the product in an enclosed place such as a bookcase or rack, unless proper ventilation is provided or the manufacturer's instructions are followed.
9. Power cord protection — The power cords must be routed properly to prevent people from stepping on them or objects from resting on them.
10. The LCD panel used in this product is made of glass. Therefore, it can break when the product is dropped or applied with impact. Be careful not to be injured by broken glass pieces in case the LCD panel breaks.
11. Overloading — Do not overload AC outlets or extension cords. Overloading can cause fire or electric shock.
12. Entering of objects and liquids — Never insert an object into the product through vents or openings. High voltage flows in the product, and inserting an object can cause electric shock and/or short internal parts. For the same reason, do not spill water or liquid on the product.
13. Servicing — Do not attempt to service the product yourself. Removing covers can expose you to high voltage and other dangerous conditions. Request a qualified service person to perform servicing.
14. Repair — If any of the following conditions occurs, unplug the power cord from the AC outlet, and request a qualified service person to perform repairs.
 - a. When the power cord or plug is damaged.
 - b. When a liquid was spilled on the product or when objects have fallen into the product.
 - c. When the product has been exposed to rain or water.
 - d. When the product does not operate properly as described in the operating instructions. Do not touch the controls other than those described in the operating instructions. Improper adjustment of controls not described in the instructions can cause damage, which often requires extensive adjustment work by a qualified technician.
 - e. When the product has been dropped or damaged.
 - f. When the product displays an abnormal condition. Any noticeable abnormality in the product indicates that the product needs servicing.
15. Replacement parts — In case the product needs replacement parts, make sure that the service person uses replacement parts specified by the manufacturer, or those with the same characteristics and performance as the original parts. Use of unauthorized parts can result in fire, electric shock and/or other danger.
16. Safety checks — Upon completion of service or repair work, request the service technician to perform safety checks to ensure that the product is in proper operating condition.
17. Wall mounting — When mounting the product on a wall, be sure to install the product according to the method recommended by the manufacturer.
18. Heat sources — Keep the product away from heat sources such as radiators, heaters, stoves and other heat-generating products (including amplifiers).
19. Batteries — Incorrect use of batteries may cause the batteries to burst or ignite. A leaky battery may corrode the equipment, dirty your hands or spoil your clothing. In order to avoid these problems, make sure to observe the precautions below:
 - Use the specified batteries only.
 - Install the batteries with due attention to the plus (+) and minus (-) sides of the batteries according to the instructions in the compartment.
 - Do not mix old and new batteries.
 - Do not mix batteries of different types. Voltage specifications of batteries of the same shape may vary.
 - Replace an exhausted battery with a new one promptly.
 - If you will not use the remote control for a long time, remove the batteries.
 - If leaked battery fluid gets on your skin or clothing, rinse immediately and thoroughly. If it gets into your eye, bathe your eye well rather than rubbing and seek medical treatment immediately. Leaked battery fluid that gets into your eye or your clothing may cause a skin irritation or damage your eye.
20. Usage of the monitor must not be accompanied by fatal risks or dangers that, could lead directly to death, personal injury, severe physical damage or other loss, including nuclear reaction control in nuclear facility, medical life support system, and missile launch control in a weapon system.

SAFETY PRECAUTIONS (Continued)

21. Do not stay in contact with the parts of the product that become hot for long periods of time. Doing so may result in low-temperature burns.

WARNING:

This is a Class A product. In a domestic environment this product may cause radio interference in which case the user may be required to take adequate measures.

To maintain compliance with EMC regulations, use shielded cables to connect to the following terminals: PC/AV DVI-D output terminal, PC/AV DVI-D input terminal, PC/AV HDMI input terminal, PC D-SUB input terminal, PC RGB input terminals, and RS-232C input/output terminals.

If a monitor is not positioned in a sufficiently stable location, it can be potentially hazardous due to falling. Many injuries, particularly to children, can be avoided by taking simple precautions such as:

- Using fixing devices like wall mount brackets recommended by the manufacturer.
- Only using furniture that can safely support the monitor.
- Ensuring the monitor is not overhanging the edge of the supporting furniture.
- Not placing the monitor on tall furniture (for example, cupboards or bookcases) without anchoring both the furniture and the monitor to a suitable support.
- Not standing the monitors on cloth or other materials placed between the monitor and supporting furniture.
- Educating children about the dangers of climbing on furniture to reach the monitor or its controls.

Especially for child safety

- Don't allow children to climb on or play with the monitor.
- Don't place the monitor on furniture that can easily be used as steps, such as a chest of drawers.
- Remember that children can become excited while watching a program, especially on a "larger than life" monitor. Care should be taken to place or install the monitor where it cannot be pushed, pulled over, or knocked down.
- Care should be taken to route all cords and cables connected to the monitor so that they cannot be pulled or grabbed by curious children.

SAFETY INSTRUCTIONS

- Do not use the monitor where there is a lot of dust, where humidity is high, or where the monitor may come into contact with oil or steam. Do not use in an environment where there are corrosive gases (sulfur dioxide, hydrogen sulfide, nitrogen dioxide, chlorine, ammonia, ozone, etc.). As this could lead to fire.
- Ensure that the monitor does not come into contact with water or other fluids. Ensure that no objects such as paper clips or pins enter the monitor as this could lead to fire or electric shock.
- Do not place the monitor on top of unstable objects or in unsafe places. Do not allow the monitor to receive strong shocks or to strongly vibrate. Causing the monitor to fall or topple over may damage it.
- Do not use the monitor near heating equipment or in places where there is likelihood of high temperature, as this may lead to generation of excessive heat and outbreak of fire.
- Do not use the monitor in places where it may be exposed to direct sunlight.
- If the monitor is installed in a location exposed to sunlight such as next to a window, measures to reduce ultraviolet and infrared radiation and temperature measures are required.

For details, consult your dealer.

- The AC outlet shall be installed near the equipment and shall be easily accessible.

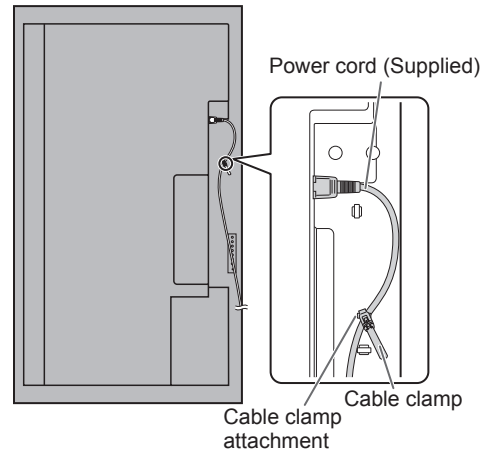
The Power Cord

- Use only the power cord supplied with the monitor.
- Do not damage the power cord nor place heavy objects on it, stretch it or over bend it. Also, do not add extension cords. Damage to the cord may result in fire or electric shock.
- Do not use the power cord with a power tap. Adding an extension cord may lead to fire as a result of overheating.
- Do not remove or insert the power plug with wet hands. Doing so could result in electric shock.
- Unplug the power cord if it is not used for a long time.
- Do not attempt to repair the power cord if it is broken or malfunctioning. Refer the servicing to the service representative.

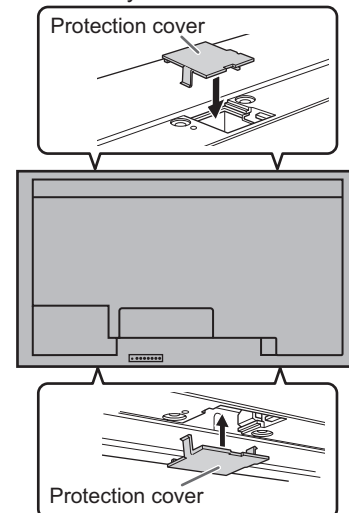
MOUNTING PRECAUTIONS

- This product is for use indoors.
- A mounting bracket compliant with VESA specifications is required.
- Since the monitor is heavy, consult your dealer before installing, removing or moving the monitor.
- Mounting the monitor on the wall requires special expertise and the work must be performed by an authorized SHARP dealer. You should never attempt to perform any of this work yourself. Our company will bear no responsibility for accidents or injuries caused by improper mounting or mishandling.
- Use the monitor perpendicular to a level surface. If necessary, the monitor may be tilted up to 20 degrees upward or downward.
- When mounting the monitor horizontally, the optional fan cover (PN-ZR31) is required. For details along with the horizontal mounting conditions, consult your dealer.
- This monitor should be used at an ambient temperature between 32°F (0°C) and 104°F (40°C).
- Be careful of high temperatures in the surrounding area. When installing the monitor inside a housing, or if the ambient temperature may be outside of the range of 32°F (0°C) to 104°F (40°C), install a fan or take other measures to keep the ambient temperature within the required range.
- Temperature condition may change when using the monitor together with the optional equipments recommended by SHARP. In such cases, please check the temperature condition specified by the optional equipments.
- Do not block any ventilation openings. If the temperature inside the monitor rises, this could lead to a malfunction.
- Do not place the monitor on a device which generates heat.
- Adhere to the following when installing the monitor in its portrait orientation. Failing to adhere to the following may cause malfunctions.
 - To install in landscape orientation, rotate the monitor 90 degrees to the right.
 - Set the MONITOR on the SETUP menu to PORTRAIT. (See Operation manual.)

- Be sure to secure the power cord (supplied) to the cable clamp attachment with the supplied cable clamp. Make sure that the power cord (supplied) does not supply power to the terminal when being secured and do not over bend the power cord (supplied).



- After installing the monitor, affix the protection covers (4 pieces) as necessary.



Supplied Components

If any component should be missing, please contact your dealer.

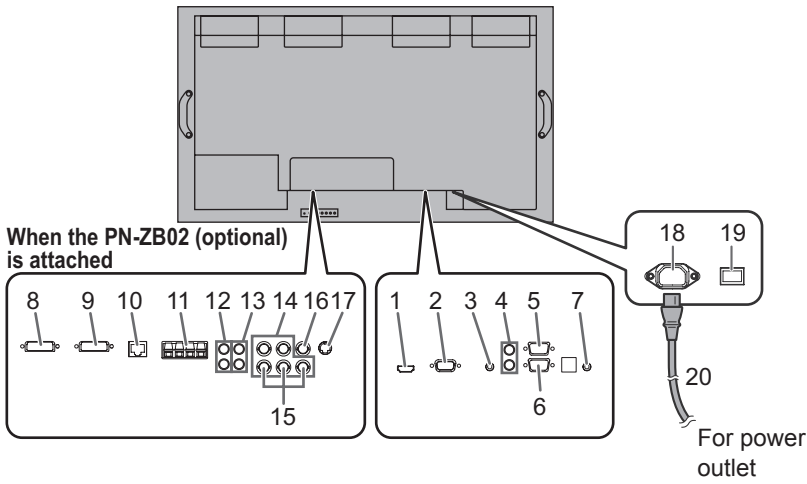
- | | |
|---|---|
| <input type="checkbox"/> Liquid Crystal Display Monitor: 1 | <input type="checkbox"/> Protection cover: 4 |
| <input type="checkbox"/> Cable clamp: 2 | <input type="checkbox"/> Handle screw (short): 4 |
| <input type="checkbox"/> Power cord: 1 | <input type="checkbox"/> Bezel sheet (long/short): 2 each |
| <input type="checkbox"/> CD-ROM (Utility Disk for Windows): 1 | <input type="checkbox"/> Bezel sheet attachment instructions: 1 |
| <input type="checkbox"/> Setup manual (this manual): 1 | |

* Sharp Corporation holds authorship rights to the Utility Disk program. Do not reproduce it without permission.

* For environmental protection!

Do not dispose of batteries in household waste. Follow the disposal instructions for your area.

Connections



1. PC/AV HDMI input terminal
2. PC D-sub input terminal
3. Audio input terminal
4. Audio output terminals
5. RS-232C output terminal
6. RS-232C input terminal
7. Control kit terminal
8. PC/AV DVI-D input terminal
9. PC/AV DVI-D output terminal
10. LAN terminal
11. External speaker terminals
12. Audio1 input terminals
13. Audio2 input terminals
14. PC RGB input terminals
15. AV component input terminals
16. AV video input terminal
17. AV S-video input terminal
18. AC input terminal
19. Main power switch
20. Power cord (Supplied)

! Caution

- Be sure to turn off the main power switch and disconnect the plug from the power outlet before connecting/disconnecting cables. Also, read the manual of the equipment to be connected.
- Be careful not to confuse the input terminal with the output terminal when connecting cables. Accidentally reversing cables connected to the input and output terminals may cause malfunctions and the other problems.

TIPS

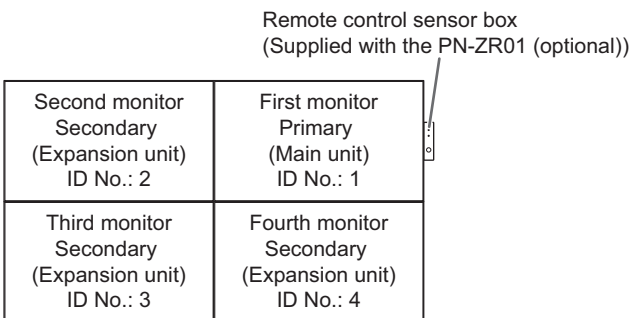
- Set the audio input terminal used for each input mode in AUDIO SELECT on the OPTION menu. The factory settings are shown below.

Input mode	Audio input terminal (Factory setting)
PC D-SUB, PC DVI-D, PC RGB	Audio input terminal
AV DVI-D	Audio1 input terminal
AV COMPONENT, AV S-VIDEO, AV VIDEO	Audio2 input terminal
PC HDMI, AV HDMI	PC/AV HDMI input terminal

- When connecting the external speaker, attach the speaker cable core (included in the optional PN-ZB02).
- HDMI, the HDMI logo and High-Definition Multimedia Interface are trademarks or registered trademarks of HDMI Licensing LLC.

Multiple monitor connection

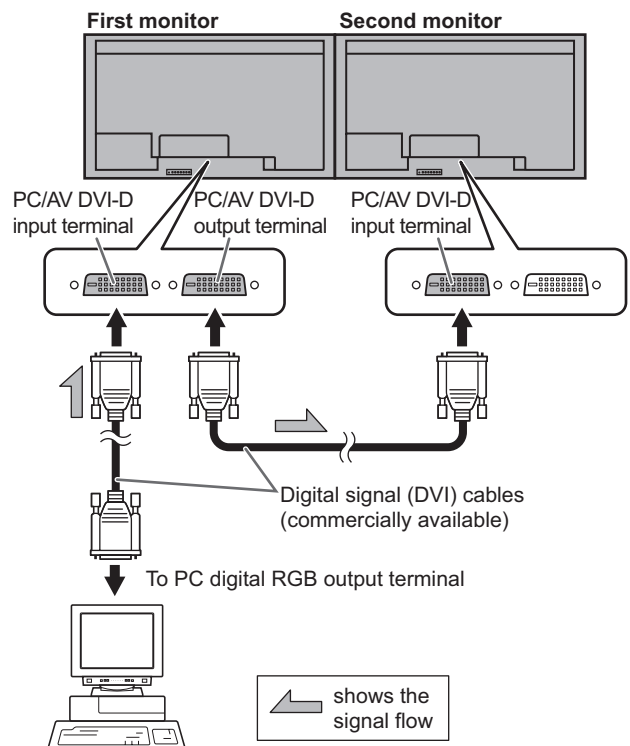
[Example]



- * Always install the remote control sensor box on the primary monitor.

■ Connection with video cable

May vary depending on the system being used.
If using the PC/AV DVI-D terminal, up to 5 monitors can be connected in a daisy chain. (When the PN-ZB02 is attached)



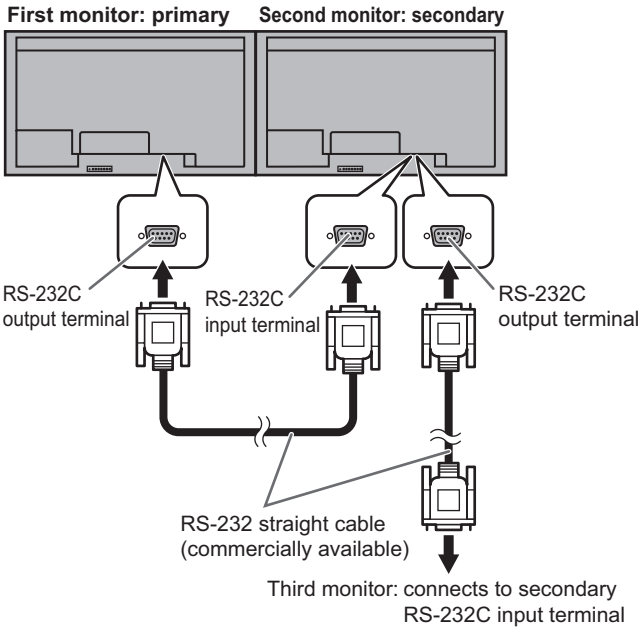
Connections

■ Connection with RS-232 cable

If you connect the monitor in a daisy chain using RS-232 cable, using the monitor buttons on the primary (main unit), settings are copied to the secondary (expansion unit) and operation from the primary can perform operation for all monitors. Setting each ID No. in the monitor is required.

The first monitor will be set as primary (main unit) and the second monitor and beyond will be secondaries (expansion units).

Connect the RS-232C cables in order, starting with the first monitor (primary monitor). If monitors are connected in a different order they may not be operable.



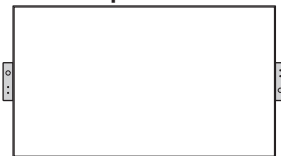
Connect the third monitor and other monitors in the same manner.

Up to 25 monitors can be connected. (Depending on the length of the cable used and the surrounding environment.) ID Number is set with the primary monitor's buttons. If you set AUTO ASSIGN ID No., located in the menu of the monitor to ON, the ID No. will be automatically assigned in order from the primary.

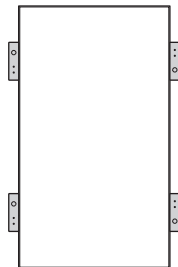
■ Connection with the control kit (optional)

If performing operation of the monitor with the remote control unit, the PN-ZR01 control kit (optional) is required. Attach the remote control sensor box as shown in the following illustration. (Right side recommended)

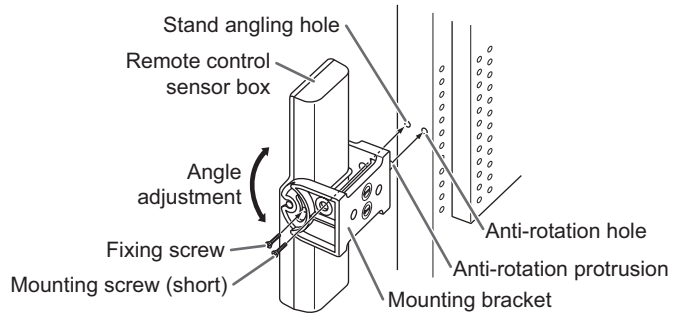
For the monitor in landscape orientation



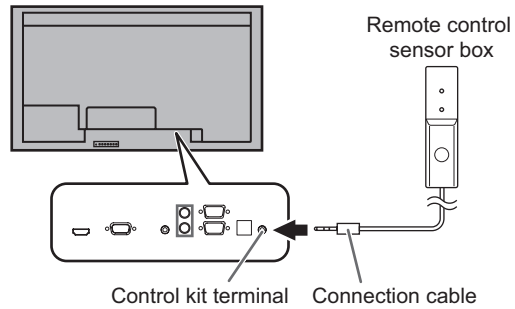
For the monitor in portrait orientation



1. Insert the anti-rotation protrusion of the mounting bracket into the anti-rotation hole of the monitor.
2. Secure the stand angling hole of the monitor with the mounting screw.
3. Adjust the angle of the remote control sensor box, and secure it with the fixing screw, so that it may accurately receive signals from the remote control unit.

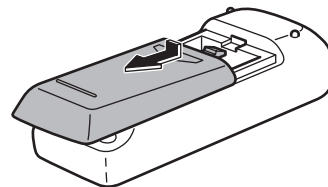


4. Insert the remote control sensor box connection cable into the control kit terminal.



Installing the batteries

1. Press the cover gently and slide it in the direction of the arrow.



2. See the instructions in the compartment and put in the batteries (R-6 ("AA" size) x 2) (supplied with the PN-ZR01 (optional)) with their plus (+) and minus (-) sides oriented correctly.
3. Close the cover.

! Caution

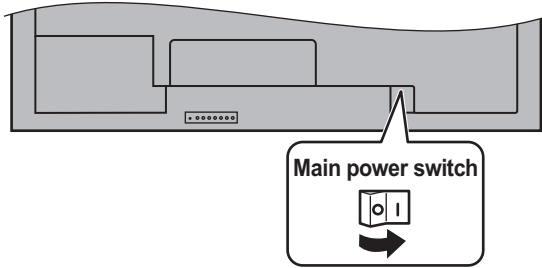
- When attaching the remote control sensor box, turn the main power switch OFF.
- Connect the monitors together in a daisy chain with RS-232 cable.

Turning Power On/Off

! Caution

- Turn on the monitor first before turning on the PC or playback device.

Turning on the main power



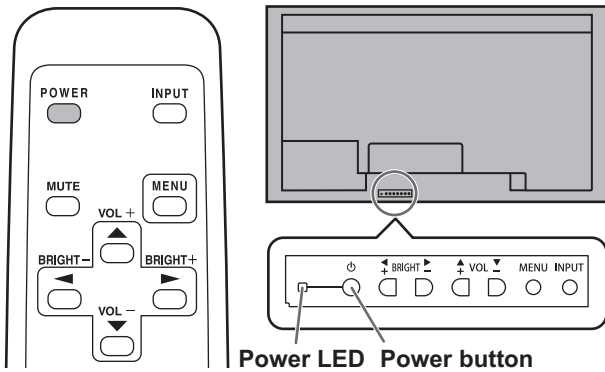
! Caution

- The main power must be turned on/off with the main power switch. Do not connect/disconnect the power cord or turn the breaker on/off while the main power switch is on.
- When switching the main power switch or the POWER button off and back on, always wait for at least 5 seconds.
- For a complete electrical disconnection, pull out the main plug.

Turning power on/off

Press the POWER button on the remote control unit or the monitor itself to turn the power ON/OFF.

When the main power switch is off, the monitor cannot be turned on using the POWER button on the remote control unit.

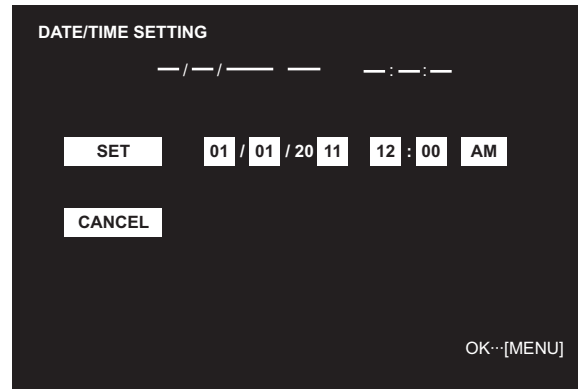


Power LED Power button

Status of a power LED	Status of the monitor
Lit green	Power on
Lit orange	Power off (Standby mode)
Flashing green	Input signal waiting mode

■ Date/time setting

- If the time has yet to be set when the monitor is first turned on, the date/time setting screen appears. Set the date and time.



1. Press , , or to select the date and time, and press or to change the numerical values.
 2. Press or to select SET and then press .
- Be sure to set the date and time.
 - The date/time setting screen will close automatically if no operation is performed for about 15 seconds. The date and time can be set using DATE/TIME SETTING from the OPTION menu when the date/time setting screen disappears.

TIPS

- Set the date in "Month/Day/Year" order.
- Set the time on a 12-hour basis.
- The clock is maintained by the internal battery.
- If you already set the time but the date/time setting screen appears when the power is turned on, the internal battery may be exhausted. Please contact your local Sharp servicing dealer or service center for assistance with battery replacement.
- Estimated service life of the internal battery: About 5 years (depending on monitor operation)
- The initial battery was inserted at the factory when the monitor was shipped, so it may run out of power before its expected operation life.

Main Specifications

Model	PN-V600A	
Power requirement	AC 100 V - 240 V, 50/60 Hz	
Operating temperature *	32°F to 104°F (0°C to 40°C)	
Operating humidity	20% to 80% (no condensation)	
Power consumption (maximum)	305 W [When PN-ZB02 (optional) is attached: 310 W]	
Dimensions (excluding protrusions)	inch (mm)	Approx. 52-5/8 (W) x 5-7/8 (D) x 29-11/16 (H) (1335.9 x 149.3 x 754.2)
Weight	lbs. (kg)	Approx. 90.4 (41) [PN-ZB02 (optional): Approx. 1.102 (0.5)]

* Temperature condition may change when using the display together with the optional equipments recommended by SHARP. In such cases, please check the temperature condition specified by the optional equipments.

As a part of our policy of continuous improvement, SHARP reserves the right to make design and specification changes for product improvement without prior notice. The performance specification figures indicated are nominal values of production units. There may be some deviations from these values in individual units.

Mounting Precautions (For SHARP dealers and service engineers)



- When installing, removing or moving the monitor, ensure that this is carried out by at least 2 people.
- Be sure to use a wall-mount bracket designed or designated for mounting the monitor.
- This monitor is designed to be installed on a concrete wall or pillar. Reinforced work might be necessary for some materials such as plaster / thin plastic board / wood before starting installation.
This monitor and bracket must be installed on a wall which can endure at least 4 times or more the weight of the monitor. Install by the most suitable method for the material and the structure.
- To attach a VESA-compliant mounting bracket, use M6 screws that are 5/16 inch (8 mm) to 3/8 inch (10 mm) longer than the thickness of the mounting bracket.
- When moving the monitor, be sure to hold it with either handles or the corners on the bottom of the unit. Do not hold the LCD panel. This may cause product damage, failure, or injury.
- When performing an installation where the monitor is stacked, please install it such that load is not placed on the monitor frame.
- After mounting, please carefully ensure the monitor is secure, and not able to come loose from the wall or mount.
- Do not use any screw holes other than VESA holes for installation.

INFORMATION IMPORTANTE	1	Connexions	5
CHER CLIENT	1	Mise sous tension et hors tension	7
PRÉCAUTIONS DE SÉCURITÉ	2	Caractéristiques	8
MESURES DE SÉCURITÉ	3	Précautions pour le montage (À l'attention des revendeurs et techniciens SHARP)	8
PRÉCAUTIONS POUR LE MONTAGE	4		
Composants fournis	4		

Lisez les manuels se trouvant dans le dossier "Manual" du CD-ROM fourni. (Adobe Reader est nécessaire pour pouvoir visualiser les manuels.)

INFORMATION IMPORTANTE

AVERTISSEMENT : POUR RÉDUIRE LE RISQUE D'INCENDIE OU DE DÉCHARGE ÉLECTRIQUE, NE PAS EXPOSER CE PRODUIT À LA PLUIE OU À LA POUSSIÈRE.

 <div style="border: 1px solid black; padding: 5px; text-align: center;"> <p>ATTENTION</p> <p>RISQUE DE DÉCHARGE ÉLECTRIQUE NE PAS OUVRIR</p> </div> 	<p>Le symbole représenté par l'éclair à la tête en pointe de flèche à l'intérieur d'un triangle, est placé pour alerter l'utilisateur de la présence d'une "tension dangereuse" non isolée à l'intérieur du produit. Cette tension peut avoir une valeur suffisante pour constituer un risque d'électrocution à toute personne.</p>
<p>ATTENTION : POUR RÉDUIRE LE RISQUE DE DÉCHARGE ÉLECTRIQUE, NE PAS RETIRER LE COUVERCLE. IL N'Y A AUCUNE PIÈCE RÉPARABLE PAR L'UTILISATEUR À L'INTÉRIEUR. AVERTIR LE PERSONNEL DE SERVICE QUALIFIÉ POUR TOUTE PROCÉDURE D'ENTRETIEN.</p>	<p>Le point d'exclamation à l'intérieur d'un triangle est placé pour alerter l'utilisateur de la présence d'une procédure particulière ou d'une procédure de maintenance (entretien) importante dans les manuels accompagnant le produit.</p>

AVERTISSEMENT :

Les lois FCC établissent que tout changement ou modification non-autorisés de cet équipement qui n'ont pas été expressément approuvés par le producteur, constituent un motif d'annulation des droits de l'utilisateur d'utiliser cet appareil.

REMARQUE :

Cet équipement, après les tests, a été jugé conforme aux limites d'un équipement numérique de Classe A, conformément à la section 15 de la réglementation FCC. Ces limites sont établies pour fournir une protection raisonnable contre les interférences nuisibles lorsque l'équipement est utilisé dans un environnement commercial. Cet équipement produit, utilise et peut rayonner de l'énergie sous forme de radiofréquences et, s'il n'est pas installé et utilisé conformément aux instructions du mode d'emploi, peut provoquer des interférences nuisibles aux communications par radio. Le fonctionnement de cet équipement dans une zone résidentielle peut vraisemblablement provoquer des interférences nuisibles, auquel cas l'utilisateur est prié de corriger ces interférences à ses propres frais.

ÉTATS-UNIS SEULEMENT

CHER CLIENT

Nous vous remercions d'avoir acheté cet appareil SHARP à écran LCD. Afin de garantir le bon fonctionnement de ce moniteur, nous vous conseillons de lire attentivement cette brochure et de la conserver pour toute référence ultérieure.

PRÉCAUTIONS DE SÉCURITÉ

L'électricité remplit de nombreuses fonctions utiles, mais elle peut provoquer des blessures et des dégâts matériels si elle n'est pas utilisée correctement. Cet appareil a été conçu et fabriqué en attachant la plus grande importance à la sécurité. Cependant, une utilisation inadéquate peut entraîner une décharge électrique et/ou un incendie. Afin d'éviter tout danger potentiel, veuillez respecter les consignes suivantes lors de l'installation, de l'utilisation et du nettoyage de l'appareil. Afin d'assurer votre propre sécurité et de prolonger la durée de service de votre moniteur LCD, veuillez lire attentivement les précautions ci-dessous avant d'utiliser l'appareil.

1. Lisez ces explications — Vous devez lire et comprendre toutes les informations relatives au fonctionnement de l'appareil avant de l'utiliser.
2. Conservez cette brochure dans un endroit sûr — Ces explications concernant la sécurité et le fonctionnement doivent être conservées dans un endroit sûr pour vous y référer en cas de besoin.
3. Respectez les avertissements — Tous les avertissements figurant sur l'appareil et dans ce mode d'emploi doivent être strictement respectés.
4. Suivez les instructions — Toutes les explications sur le fonctionnement doivent être respectées.
5. Nettoyage — Débranchez le cordon d'alimentation au niveau de la prise du secteur avant de nettoyer l'appareil. Servez-vous d'un linge sec, et n'employez pas de détergents liquides ou en atomiseur.
6. Accessoires — N'utilisez pas d'accessoires non recommandés par le fabricant, car ceci pourrait provoquer des accidents.
7. Eau et humidité — N'utilisez pas cet appareil près de l'eau. N'installez pas le produit à un endroit où il pourrait recevoir de l'eau. Évitez en particulier les emplacements sous les appareils à vidange d'eau tels que les climatiseurs.
8. Ventilation — Des ouïes et autres ouvertures sont prévues dans le coffret de l'appareil pour sa ventilation. Ne recouvrez pas et ne bouchez pas ces ouvertures car une ventilation insuffisante peut provoquer une surchauffe et réduire la durée de vie de l'appareil. Ne placez pas l'appareil sur un sofa, un tapis ou toute autre surface analogue car ceci pourrait obstruer les ouvertures de ventilation. Cet appareil n'est pas conçu pour une installation encastrée; ne le placez donc pas dans un endroit fermé comme une bibliothèque ou une baie à moins qu'une ventilation adéquate ne soit prévue et que les consignes du fabricant ne soient respectées.
9. Protection du cordon d'alimentation — Faites passer les cordons d'alimentation à un endroit où ils ne seront pas écrasés ou coincés par d'autres objets.
10. Le panneau de l'écran à cristaux liquides (LCD) de cet appareil est fabriqué en verre et, par conséquent, il peut se briser si l'appareil tombe ou s'il reçoit un fort impact. Veillez à ne pas vous blesser par les éclats de verre si le panneau LCD devait être brisé.
11. Surcharge — Ne surchargez pas les prises de courant ou les rallonges car ceci peut entraîner un risque d'incendie ou d'électrocution.
12. Insertion de solides ou de liquides — N'introduisez jamais des objets par les orifices de cet appareil, car ils pourraient provoquer une électrocution et/ou un court-circuit en touchant des pièces internes sous haute tension. Pour la même raison, ne renversez jamais de l'eau ou un liquide sur l'appareil.
13. Entretien — N'essayez pas de réparer vous-même l'appareil. La dépose des couvercles peut vous exposer à une haute tension ou à d'autres dangers. Confiez toute réparation à un personnel qualifié.
14. Réparation — Dans les cas suivants, débranchez le cordon d'alimentation au niveau de la prise secteur et demandez à un personnel qualifié d'effectuer les réparations.
 - a. Dégât sur le cordon ou la prise de courant.
 - b. Infiltration d'un liquide ou pénétration d'un objet à l'intérieur de l'appareil.
 - c. Exposition de l'appareil à la pluie ou à l'eau.
 - d. Fonctionnement anormal malgré une conformité aux explications du mode d'emploi.

Ne réglez que les commandes dont il est fait mention dans le mode d'emploi. Un réglage incorrect des autres commandes peut provoquer des dégâts qui nécessiteraient des réparations complexes par un technicien spécialisé.
 - e. Chute ou dégâts subis par l'appareil.
 - f. Tout changement notoire ou situation anormale de l'appareil indique qu'une réparation est nécessaire.
15. Pièces de rechange — Lorsque des pièces doivent être remplacées, assurez-vous que le technicien a utilisé les pièces spécifiées par le fabricant ou des pièces dont les performances et les caractéristiques sont identiques. Des changements non autorisés de pièces peuvent entraîner un incendie, une électrocution et/ou d'autres dangers.
16. Contrôles de sécurité — Après une intervention d'entretien ou de réparation, demandez au technicien de procéder à un contrôle pour être sûr que l'appareil peut être utilisé en toute sécurité.
17. Installation sur paroi — Si l'appareil doit être fixé sur une paroi, installez-le en respectant la méthode recommandée par le fabricant.
18. Sources de chaleur — Tenez l'appareil à l'écart de sources de chaleur, telles que radiateurs, dispositifs de chauffage, poêles et autres appareils dégageant de la chaleur (y compris les amplificateurs).
19. Piles — Une utilisation incorrecte des piles peut les faire éclater ou prendre feu. Une pile qui fuit peut causer des corrosions dans l'équipement, des salissures aux mains ou abîmer vos vêtements. Afin d'éviter ces problèmes, assurez-vous que les précautions suivantes sont appliquées :
 - Utilisez seulement des piles prescrites.
 - Installez les piles en faisant bien attention aux polarités plus (+) et moins (-) des piles selon les instructions dans le compartiment.
 - Ne mélangez pas des piles usagées avec des neuves.
 - Ne mélangez pas des piles de différents types. Les spécifications de voltage des piles de même forme peuvent varier.
 - Remplacez rapidement une pile épuisée par une nouvelle.
 - Si vous n'avez pas l'intention d'utiliser la télécommande pendant une longue période, retirez les piles.
 - Si le liquide provenant d'une pile qui fuit touche votre peau ou vos habits, rincez immédiatement et complètement les parties touchées. Si un œil est touché, faites immédiatement un bain d'œil plutôt que de le frotter et cherchez immédiatement un traitement médical. Le liquide provenant de la fuite d'une pile qui atteint votre œil ou vos habits peut causer une irritation de la peau ou des dommages à votre œil.

PRÉCAUTIONS DE SÉCURITÉ (Suite)

20. L'utilisation de ce moniteur ne doit pas entraîner des risques mortels ou des dangers qui pourraient provoquer directement la mort, des blessures sur le personnel, des dommages physiques sévères ou d'autres destructions, y compris dans le contrôle des réactions nucléaires dans les installations nucléaires, dans le système médical de réanimation, et dans le contrôle de lancement des missiles dans les systèmes d'armes.
21. N'entrez pas en contact direct avec les parties du produit ayant chauffé pendant de longues périodes. Il pourrait en résulter des brûlures à basse température.

AVERTISSEMENT :

Il s'agit d'un appareil de classe A. Dans un environnement résidentiel, cet appareil peut provoquer des interférences radioélectriques. Dans ce cas, il peut être demandé à l'utilisateur de prendre des mesures appropriées.

Afin de satisfaire aux normes EMC, utiliser des câbles blindés pour connecter les bornes suivantes : Borne de sortie PC/AV DVI-D, borne d'entrée PC/AV DVI-D, borne d'entrée PC/AV HDMI, borne d'entrée PC D-sub, bornes d'entrée PC RVB, et bornes d'entrée/sortie RS-232C.

Un moniteur placé sur un support instable est dangereux en raison des risques de chute qu'il présente. De nombreuses blessures, touchant en particulier les enfants, peuvent être évitées en prenant quelques précautions simples :

- Utiliser les dispositifs de fixation tels que les supports muraux fournis par le fabricant.
- Utiliser uniquement des meubles capables d'accueillir le moniteur en toute sécurité.
- Vérifier que le moniteur ne dépasse pas du bord du meuble sur lequel il est posé.
- Ne pas placer le moniteur sur des meubles hauts, armoires ou étagères, par exemple, sans fixer le meuble concerné et le moniteur à un support approprié.
- Ne pas intercaler de tissu ou toute autre matière entre le moniteur et le meuble sur lequel il est posé.
- Expliquer aux enfants qu'il est dangereux de grimper sur les meubles pour atteindre le moniteur ou ses boutons de commande.

En particulier pour la sécurité des enfants

- Ne laissez pas les enfants grimper sur ou jouer avec le moniteur.
- Ne placez pas le moniteur sur des meubles qui peuvent facilement se transformer en marches comme une commode avec tiroirs.
- Souvenez-vous que les enfants s'excitent souvent en visionnant un programme, surtout sur un moniteur « plus grand que la normale ». Il faut faire en sorte d'installer le moniteur là où il ne peut pas être poussé, tiré, ni basculé.
- Il faut faire en sorte de placer les fils et les câbles connectés au moniteur de façon à ce que des enfants curieux ne puissent pas les tirer ni les saisir.

MESURES DE SÉCURITÉ

- N'utilisez pas le moniteur dans un endroit où il y a beaucoup de poussières, où le degré d'humidité est élevé, ou encore là où il pourrait se trouver en contact avec de l'huile ou de la vapeur. Ne l'utilisez pas non plus dans un environnement contenant des gaz corrosifs (dioxyde de soufre, sulfure d'hydrogène, dioxyde d'azote, chlore, ammoniac, ozone, etc.). Cela pourrait provoquer un début d'incendie.
- Assurez-vous que le moniteur ne se trouve pas en contact avec de l'eau ou d'autres fluides. Assurez-vous qu'aucun objet tel que des agrafes et des trombones ne pénètre dans le moniteur, car cela pourrait provoquer un début d'incendie ou un choc électrique.
- N'installez pas le moniteur au dessus des objets instables ou dans des endroits peu sûrs. Faites attention que le moniteur ne reçoive pas de chocs violents ni de fortes vibrations. Provoquer la chute du moniteur ou le culbuter peut l'endommager.
- N'utilisez pas le moniteur à proximité d'un appareil de chauffage ou dans des endroits où la température est élevée, car cela pourrait conduire à un dégagement excessif de chaleur et provoquer un début d'incendie.
- N'utilisez pas le moniteur dans des endroits exposés directement à la lumière du soleil.
- Si le moniteur est installé dans un endroit exposé à la lumière du soleil, près d'une fenêtre par exemple, veillez à prendre toute mesure nécessaire pour réduire les radiations ultraviolettes et infrarouges ainsi que la température. Pour de

plus amples informations, consultez votre revendeur.

- La prise de secteur doit être installée près de l'équipement et être facilement accessible.

Le cordon d'alimentation

- Utilisez seulement le cordon d'alimentation fourni avec le moniteur.
- N'endommagez pas le cordon d'alimentation, ne déposez pas d'objets lourds sur le cordon d'alimentation, ne tirez pas dessus et ne le pliez pas de manière excessive. De même, n'ajoutez pas de rallonges. Tout endommagement du cordon d'alimentation peut provoquer un début d'incendie ou un choc électrique.
- Ne branchez pas le cordon d'alimentation sur une prise multiple. Ajouter une rallonge peut entraîner une surchauffe et provoquer un début d'incendie.
- Ne débranchez pas ni ne branchez la prise d'alimentation avec des mains humides. En ce faisant, vous risquez un choc électrique.
- Débranchez le cordon d'alimentation si l'équipement n'est pas utilisé pendant une longue période.
- Ne tentez pas de réparer le cordon d'alimentation s'il est coupé ou s'il ne fonctionne pas correctement. Veuillez prendre contact avec le service après vente et suivre ses recommandations.

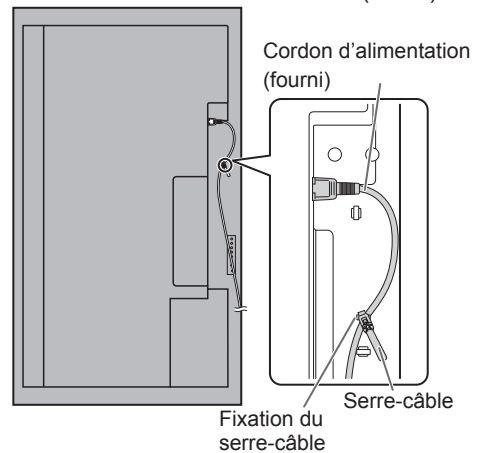
PRÉCAUTIONS POUR LE MONTAGE

- Ce produit est destiné à être utilisé en intérieur.
- Un support de montage conforme aux spécifications VESA est nécessaire.
- Comme le moniteur est lourd, consultez votre revendeur avant l'installation, le démontage ou le déplacement du moniteur.
- Le montage du moniteur sur le mur demande des compétences techniques spéciales et le travail doit être fait par un revendeur agréé par SHARP. Vous ne devez jamais tenter de faire ce travail vous-même. Notre société déclinera toute responsabilité pour les accidents ou blessures causés par un montage incorrect ou par une mauvaise manipulation.
- Utilisez le moniteur perpendiculairement à la surface horizontale. Si nécessaire, le moniteur peut être incliné, vers le haut ou vers le bas, à un angle maximal de 20 degrés.
- Lorsque vous montez le moniteur horizontalement, les grilles de ventilation optionnelles (PN-ZR31) sont nécessaires. Pour plus d'informations sur les conditions du montage horizontal, consultez votre revendeur.
- Ce moniteur doit être utilisé sous une température ambiante entre 0°C et 40°C.
- Faites attention aux températures élevées autour des moniteurs.

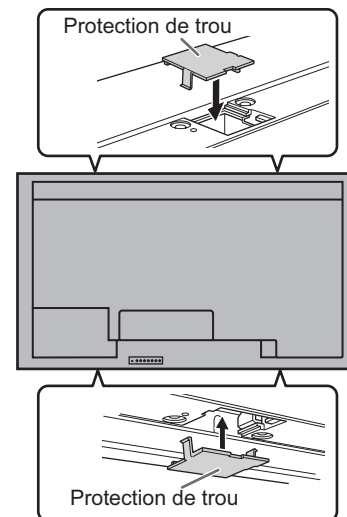
Si vous installez le moniteur dans une enceinte, ou si la température ambiante est susceptible de dépasser la plage de valeurs prévue (de 0 à 40°C), installez un ventilateur ou prenez d'autres mesures appropriées pour maintenir la température dans la plage de valeurs requise.

- La température de fonctionnement du moniteur peut être différente de celle des accessoires additionnels recommandés par SHARP. Lorsque c'est le cas, veuillez vérifier la température de fonctionnement des accessoires additionnels.
- Ne bloquez pas les ouvertures de ventilation. Si la température dans le moniteur s'élève, ceci pourrait causer un dysfonctionnement.
- Ne placez le moniteur sur un équipement qui dégage de la chaleur.
- Respectez la condition suivante quand vous installez le moniteur dans la direction verticale. Le non respect de cette condition peut causer des dysfonctionnements.
 - Pour installer le moniteur horizontalement, faites pivoter ce dernier de 90° vers la droite.
 - Réglez le MONITOR <MONITEUR> sur PORTRAIT dans le menu SETUP <INSTALLATION>. (Voir le MODE D'EMPLOI.)

- Veillez à raccorder le cordon d'alimentation (fourni) sur la fixation du serre-câble avec le serre-câble fourni. Assurez-vous que le cordon d'alimentation (fourni) n'alimente pas la borne pendant l'opération de fixation et ne courbez pas excessivement le cordon d'alimentation (fourni).



- Après l'installation, fixez les caches de protection (4 pièces) sur le support.



Composants fournis

Si un composant venait à manquer, veuillez contacter votre revendeur.

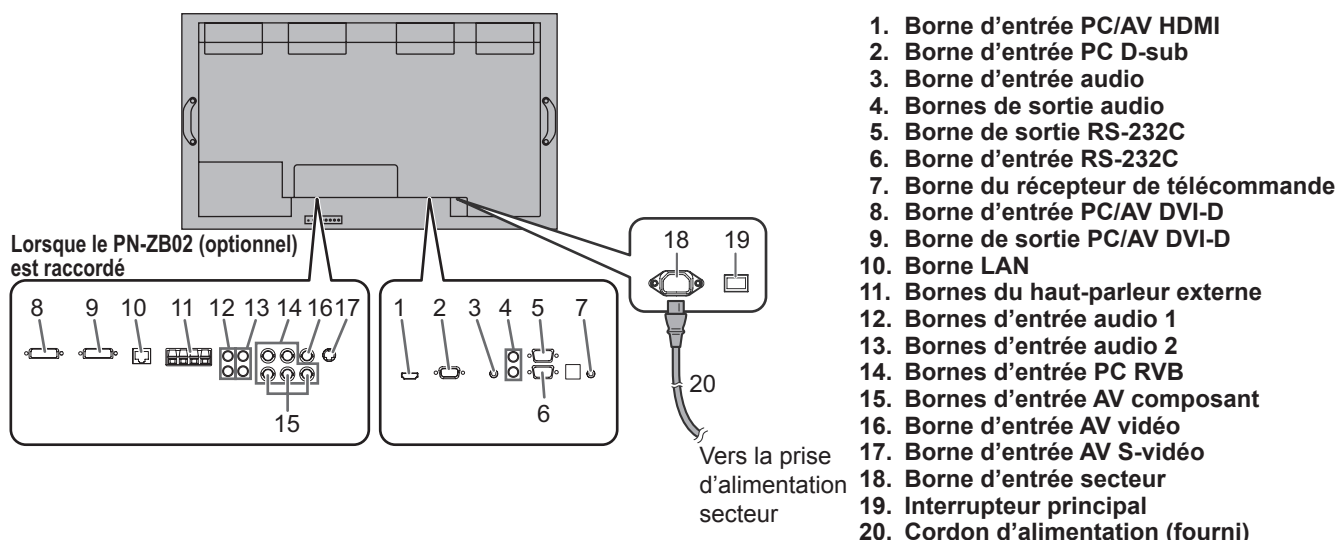
- | | |
|---|---|
| <input type="checkbox"/> Moniteur à cristaux liquides : 1 | <input type="checkbox"/> Caches de protection de trou : 4 |
| <input type="checkbox"/> Serre-câbles : 2 | <input type="checkbox"/> Vis des poignées (courtes) : 4 |
| <input type="checkbox"/> Cordon d'alimentation : 1 | <input type="checkbox"/> Façade (longues/courtes) : 2 de chaque |
| <input type="checkbox"/> CD-ROM (Utility Disk pour Windows) : 1 | <input type="checkbox"/> Instructions pour la fixation de la façade : 1 |
| <input type="checkbox"/> Manuel d'installation (ce manuel) : 1 | |

* Sharp Corporation détient les droits d'auteur du programme de l'Utility Disk. Veuillez ne pas le reproduire sans autorisation de la société.

* Pensez à votre environnement !

Ne pas jeter les piles avec les ordures ménagères, exige un traitement spécial.

Connexions



! Attention

- Veillez à bien mettre hors tension l'interrupteur principal puis débranchez la prise de l'alimentation secteur avant de connecter ou de déconnecter les câbles. Lisez également le manuel de l'équipement à connecter.
- Veillez à ne pas confondre la borne d'entrée avec la borne de sortie quand vous connectez les câbles. En confondant les câbles branchés aux bornes d'entrée et de sortie, vous pouvez causer des dysfonctionnements et d'autres problèmes.

Conseils

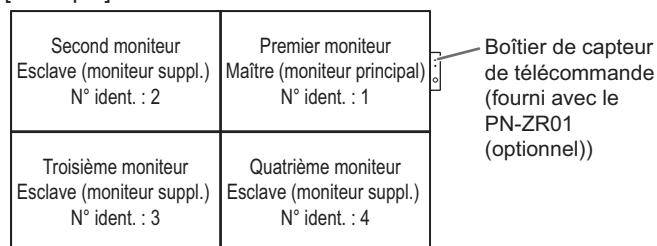
- Réglez la borne d'entrée audio utilisée pour chaque mode d'entrée dans AUDIO SELECT <SÉLECTION ENTRÉE AUDIO> du menu OPTION <OPTIONS>. Les réglages par défaut sont indiqués ci-dessous.

Mode d'entrée	Borne d'entrée audio (paramètre d'origine)
PC D-SUB, PC DVI-D, PC RGB < PC RVB>	Borne d'entrée audio
AV DVI-D	Borne d'entrée audio 1
AV COMPONENT <AV COMPOSANT>, AV S-VIDEO <AV S-VIDÉO>, AV VIDEO <AV VIDÉO>	Borne d'entrée audio 2
PC HDMI, AV HDMI	Borne d'entrée PC/AV HDMI

- Lorsque vous connectez le haut-parleur extérieur, fixez le noyau du câble de haut-parleur (fourni avec le PN-ZB02 en option).
- HDMI, le logo HDMI et High-Definition Multimedia Interface sont des marques de commerce ou des marques déposées de la société HDMI Licensing LLC.

Connexion de plusieurs moniteurs

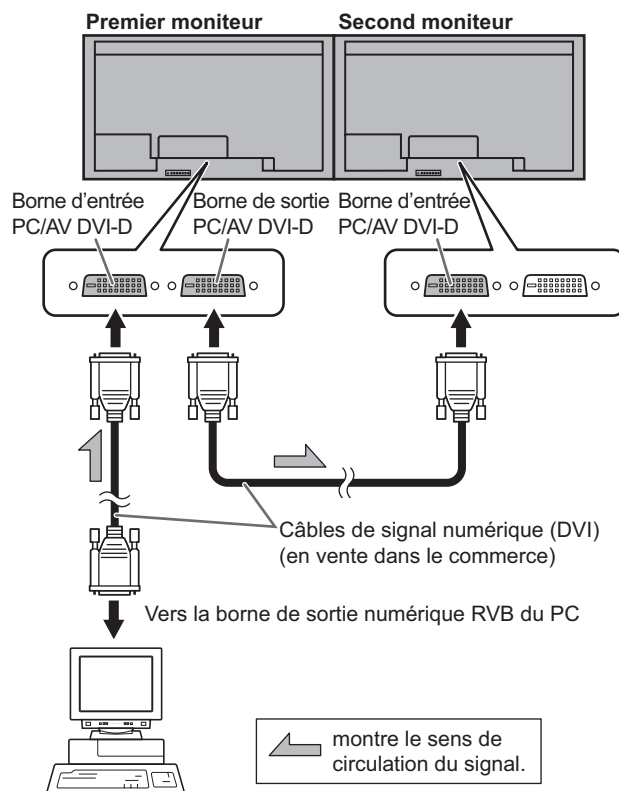
[Exemple]



- * Toujours installer le boîtier du capteur de télécommande sur le moniteur maître.

■ Connexion avec le câble vidéo

Peut varier en fonction du système utilisé. Si vous utilisez la borne PC/AV DVI-D, vous pouvez brancher jusqu'à 5 moniteurs en série (à condition que le PN-ZB02 soit connecté).

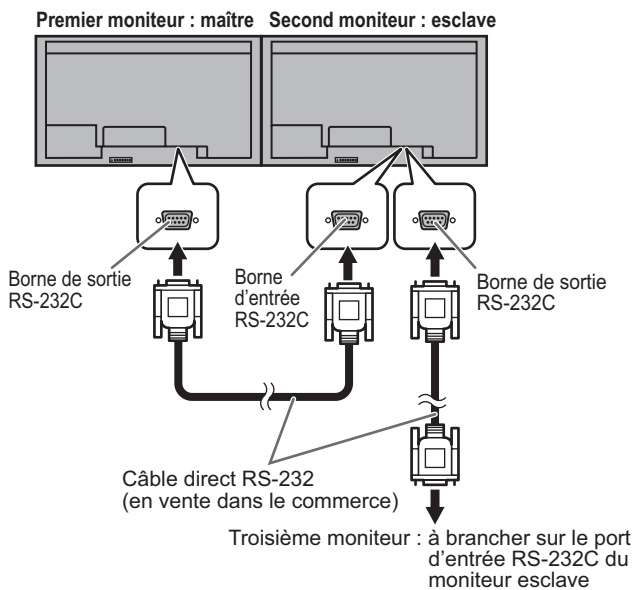


■ Connexion avec le câble RS-232

Si vous connectez le moniteur en série à l'aide d'un câble RS-232, les boutons du moniteur maître (moniteur principal) permettent de copier les réglages sur le moniteur esclave (moniteur supplémentaire) et il est possible de contrôler tous les moniteurs depuis le moniteur maître. Un numéro d'identification spécifique doit être affecté à chaque moniteur.

Le premier moniteur sera défini comme étant le moniteur maître (moniteur principal) et le second ainsi que les suivants seront les moniteurs esclaves (moniteurs supplémentaires).

Connectez les câbles du RS-232C dans l'ordre, en commençant par le premier moniteur (moniteur maître). Si les moniteurs sont connectés dans un ordre différent ils peuvent ne pas fonctionner.

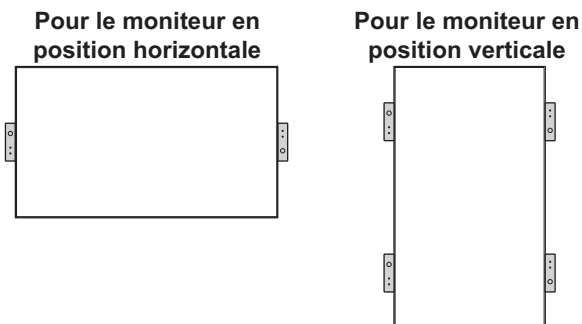


Connecter le troisième moniteur et les autres moniteurs de la même manière.

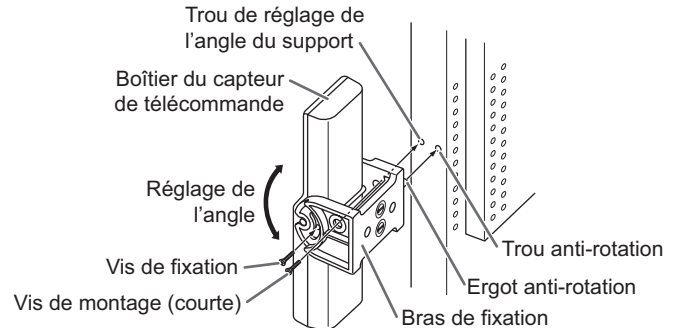
Il est possible de raccorder jusqu'à 25 moniteurs. (En fonction de la longueur du câble utilisé et des conditions environnantes.) Le numéro d'identification est réglé avec les boutons du moniteur principal. Si vous réglez sur AUTO ASSIGN ID No. <ATTRIBUTION AUTO ID NO.> le paramètre ON, situé dans le menu du moniteur, un numéro d'identification sera automatiquement attribué aux différents moniteurs, en partant du moniteur maître.

■ Connexion au récepteur de télécommande (optionnel)

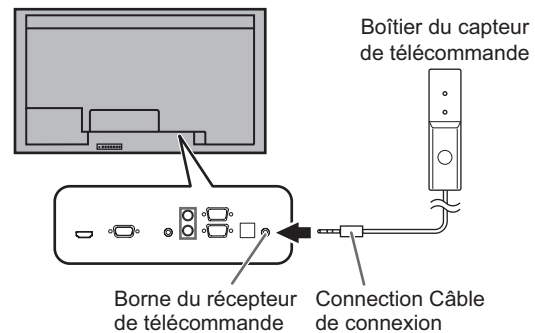
Le récepteur de télécommande PN-ZR01 (optionnel) est nécessaire pour pouvoir contrôler le moniteur à l'aide de la télécommande. Fixez le boîtier du capteur de télécommande, comme illustré ci-dessous. (Côté droit recommandé)



1. Insérez l'ergot anti-rotation du bras de fixation dans le trou anti-rotation du moniteur.
2. Fixez le trou de réglage de l'angle du support du moniteur à l'aide de la vis de montage.
3. Réglez l'angle du boîtier du capteur de télécommande et fixez ce dernier à l'aide de la vis de fixation de manière à ce qu'il reçoive avec précision les signaux transmis par la télécommande.

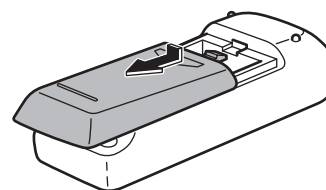


4. Insérez le câble de connexion du boîtier du capteur de télécommande dans la borne du récepteur de télécommande.



Mise en place des piles

1. Appuyez doucement sur le capot et faites le glisser dans la direction de la flèche.



2. Reportez-vous aux instructions dans le compartiment et insérez les piles (2 piles de type R-6 ou "AA") (fournies avec le PN-ZR01 (optionnel)) en veillant à respecter les polarités.
3. Refermer le capot.

! Attention

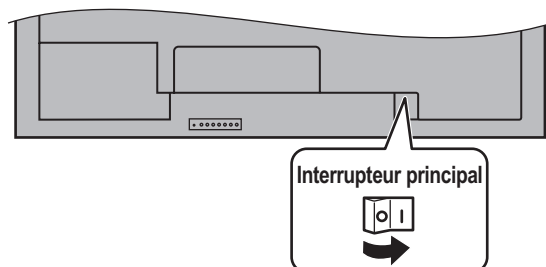
- Lors de la fixation du boîtier du capteur de télécommande, ETEIGNEZ l'interrupteur principal.
- Branchez les moniteurs en série à l'aide d'un câble RS-232.

Mise sous tension et hors tension

! Attention

- Mettez sous tension le moniteur d'abord avant de mettre sous tension le PC ou l'équipement de lecture.

Mise sous tension de l'interrupteur principal



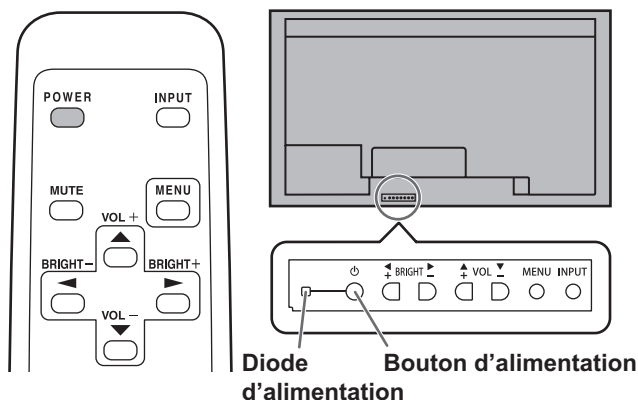
! Attention

- La mise sous/hors tension doit être effectuée à l'aide de l'interrupteur d'alimentation. Ne branchez/débranchez pas le cordon d'alimentation ou ne mettez pas le disjoncteur sous/hors tension lorsque l'interrupteur d'alimentation est en position marche.
- Lors de la mise hors tension et de la remise sous tension, ou lorsque vous appuyez sur l'interrupteur principal ou le bouton POWER, attendez toujours au moins 5 secondes.
- Pour déconnecter complètement l'alimentation électrique, retirez la fiche principale de la prise.

Mise sous/hors tension

Appuyez sur le bouton POWER de la télécommande ou du moniteur pour allumer/éteindre le moniteur.

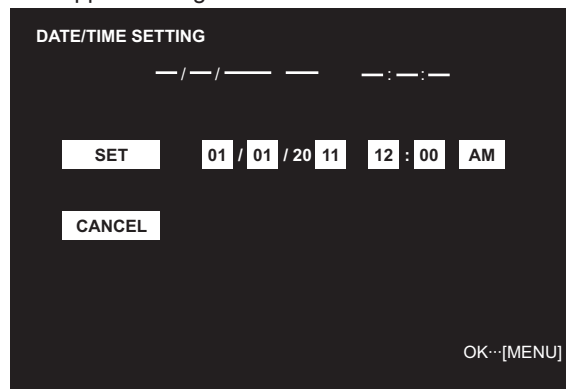
Lorsque l'interrupteur principal est mis hors tension, le moniteur ne peut pas être mis sous tension en utilisant le bouton POWER (d'alimentation) sur la télécommande.



État d'une diode d'alimentation	État du moniteur
Allumage en vert	Power en position marche
Allumage en orange	Power en position arrêt (mode Veille)
Cignotement en vert	Mode attente du signal d'entrée

■ Réglage de la date/heure

- Si l'heure doit être réglée lorsque le moniteur est mis sous tension pour la première fois, l'écran de réglage de la date/heure apparaît. Réglez la date et l'heure.



1. Appuyez sur , , ou pour sélectionner la date et l'heure, puis appuyez sur ou pour changer les valeurs numériques.
 2. Appuyez sur ou pour sélectionner SET <RÉGLER> puis appuyez sur .
- Assurez-vous que la date et l'heure sont réglées.
 - L'écran de réglage de la date/heure va disparaître automatiquement si aucune opération n'est réalisée pendant environ 15 secondes. La date et l'heure peuvent être réglées en utilisant DATE/TIME SETTING <RÉGLAGE DATE/HEURE> à partir du menu OPTION <OPTIONS> lorsque l'écran de réglage de la date/heure disparaît.

Conseils

- Réglez la date dans l'ordre "Mois/Jour/Année".
- Réglez l'heure sur la base de 12 heures.
- L'horloge est alimentée par la batterie interne.
- Si vous avez déjà réglé l'heure, mais que l'écran de réglage de la date/de l'heure apparaît lors de la mise sous tension, alors la batterie est déchargée. Contactez votre revendeur Sharp ou votre centre de services local pour le remplacement de la batterie.
- Durée de vie estimée de la batterie interne : environ 5 ans (selon le fonctionnement du moniteur)
- La batterie initiale a été insérée en usine avant expédition, elle risque donc d'être épuisée avant la fin de sa durée de vie normale.

Caractéristiques

Modèle	PN-V600A
Alimentation	CA 100 V - 240 V, 50/60 Hz
Température de fonctionnement *	0°C à 40°C
Hygrométrie de fonctionnement	20 % à 80 % (sans condensation)
Consommation électrique (maximum)	305 W [Lorsque le PN-ZB02 (optionnel) est raccordé : 310 W]
Dimensions (à l'exclusion des éléments qui dépassent)	(mm) Environ 1 335,9 x 149,3 x 754,2
Poids	(kg) Environ 41 [PN-ZB02 (optionnel) : Environ 0,5]

* La température de fonctionnement du moniteur peut être différente de celle des accessoires additionnels recommandés par SHARP. Lorsque c'est le cas, veuillez vérifier la température de fonctionnement des accessoires additionnels.

SHARP se réserve le droit d'apporter sans préavis des modifications à la présentation et aux caractéristiques des appareils afin d'amélioration. Les valeurs indiquées dans ce document sont les valeurs nominales des appareils de série mais de légères différences peuvent être constatées d'un appareil à l'autre.

Précautions pour le montage (À l'attention des revendeurs et techniciens SHARP)


- L'installation, le démontage ou le déplacement du moniteur doit être fait par 2 personnes ou plus.
- Veuillez à utiliser un support mural conçu ou prévu pour la fixation du moniteur.
- Ce moniteur est prévu pour être installé sur un mur ou un pilier en béton. Un travail de renforcement pourrait s'avérer nécessaire pour certains matériaux tels que le plâtre, un mince panneau de plastique ou le bois avant de commencer l'installation.
Le mur sur lequel ce moniteur et le support doivent être installés doit pouvoir supporter, au moins, 4 fois son poids ou davantage. Installez de la manière qui convient le mieux en fonction du matériau et de la structure.
- Pour fixer un support de montage compatible avec VESA, utilisez des vis M6 de 8 mm à 10 mm plus longues que l'épaisseur du support de montage.
- Lorsque vous déplacez le moniteur, veuillez à le saisir par les poignées ou par les coins situés en bas de l'appareil. Ne saisissez pas le panneau LCD. Ceci pourrait causer une panne, un dysfonctionnement ou une blessure.
- Si vous disposez les moniteurs les uns sur les autres, veuillez à ce que le poids ne repose pas sur le cadre du moniteur.
- Après le montage, assurez-vous que le moniteur est bien fixé au mur ou au support, sans risque de relâche.
- N'utilisez pas de trous de vis autres que les trous standard VESA pour l'installation.

INFORMACIÓN IMPORTANTE.....	1	Conexiones	5
ESTIMADO CLIENTE DE SHARP.....	1	Encendido/apagado.....	7
PRECAUCIONES DE SEGURIDAD	2	Especificaciones principales.....	8
INSTRUCCIONES DE SEGURIDAD	3	Precauciones de montaje (para distribuidores y técnicos de servicio de SHARP)	8
PRECAUCIONES DE MONTAJE.....	4		
Componentes suministrados	4		

Lea los manuales que se encuentran en la carpeta "Manual" del CD-ROM provisto. (Se necesita Adobe Reader para ver los manuales.)

INFORMACIÓN IMPORTANTE

ADVERTENCIA: PARA REDUCIR EL RIESGO DE INCENDIO O DESCARGAS ELÉCTRICAS, NO EXPONGA ESTE PRODUCTO A LA LLUVIA NI A LA HUMEDAD.

	<p>PRECAUCIÓN</p> <p>RIESGO DE DESCARGAS ELÉCTRICAS NO ABRIR</p>		 <p>El símbolo del rayo con cabeza de flecha dentro de un triángulo está concebido para avisar al usuario de la presencia de "tensión peligrosa" sin aislamiento en el interior del producto que podría ser de magnitud suficiente para constituir un riesgo de descargas eléctricas a las personas.</p>
<p>PRECAUCIÓN: PARA REDUCIR EL RIESGO DE DESCARGAS ELÉCTRICAS, NO RETIRE LA TAPA. EN EL INTERIOR NO HAY PIEZAS QUE EL USUARIO PUEDA REPARAR. SOLICITE CUALQUIER REPARACIÓN A UN TÉCNICO DE SERVICIO CALIFICADO.</p>			 <p>El símbolo de exclamación dentro de un triángulo está concebido para avisar al usuario de la presencia de instrucciones importantes de uso y mantenimiento (servicio) en la documentación que acompaña al producto.</p>

ADVERTENCIA:
La normativa de la FCC establece que cualquier cambio o modificación no autorizados en este equipo y no aprobados expresamente por el fabricante podrían anular el derecho del usuario a utilizar el equipo.

NOTA:
Este equipo ha sido probado y es conforme a los límites para dispositivos digitales de la Clase A, de acuerdo con la Parte 15 de la normativa de la FCC. Dichos límites están diseñados para proporcionar una protección razonable frente a interferencias nocivas cuando se utilice el equipo en un entorno comercial. Este equipo genera, utiliza y puede irradiar energía de radiofrecuencia y, si no se instala y usa de acuerdo con el manual de instrucciones, puede causar interferencias molestas en las comunicaciones de radio. El empleo de este equipo en zonas residenciales puede provocar interferencias molestas, en cuyo caso el usuario deberá corregir dichas interferencias por su cuenta.

EE.UU. SÓLO

ESTIMADO CLIENTE DE SHARP

Gracias por adquirir un producto LCD de SHARP. Para garantizar la seguridad y muchos años de funcionamiento sin problemas, lea atentamente las Precauciones de seguridad antes de utilizar este producto.

PRECAUCIONES DE SEGURIDAD

La electricidad se emplea para muchas funciones útiles pero también puede causar lesiones personales y daños en la propiedad si se manipula de forma inadecuada. Este producto se ha diseñado y fabricado poniendo el máximo énfasis en la seguridad. No obstante, el uso inadecuado podría tener como resultado descargas eléctricas y/o incendios. Para evitar peligros potenciales, observe las siguientes instrucciones cuando instale, utilice y limpie el producto. Para garantizar su seguridad y prolongar la vida de servicio de su producto de LCD, lea atentamente las siguientes precauciones antes de usar el producto.

1. Lea las instrucciones — Todas las instrucciones operativas deberán leerse y comprenderse antes de utilizar el producto.
2. Mantenga este manual en un lugar seguro — Estas instrucciones de seguridad y operativas deberán guardarse en un lugar seguro para referencia en el futuro.
3. Tenga en cuenta las advertencias — Todas las advertencias e instrucciones del producto deberán observarse estrictamente.
4. Respete las instrucciones — Deberán respetarse todas las instrucciones operativas.
5. Limpieza — Desenchufe el cable de alimentación de la toma de alimentación de corriente antes de limpiar el producto. Utilice un paño seco para limpiar el producto. No emplee limpiadores líquidos ni aerosoles.
6. Accesorios — No utilice accesorios no recomendados por el fabricante. El empleo de accesorios inadecuados podría provocar accidentes.
7. Agua y humedad — No utilice el producto cerca del agua. No instale este producto en lugares donde puedan producirse salpicaduras de agua. Preste especial atención a equipos que drenen agua, por ejemplo los de aire acondicionado.
8. Ventilación — Los respiraderos y otras ranuras de la caja están diseñados para ventilación. No cubra ni bloquee dichos respiraderos y ranuras, ya que la ventilación insuficiente podría provocar sobrecalentamiento y/o acortar la vida operativa del producto. No coloque el producto sobre un sofá, una alfombra u otras superficies similares ya que se podrían bloquear las ranuras de ventilación. No coloque el producto en un lugar cerrado como, por ejemplo, una librería o una estantería, a menos que se proporcione una ventilación adecuada o se respeten las instrucciones del fabricante.
9. Protección del cable de alimentación — Los cables de alimentación deberán ubicarse adecuadamente para evitar que las personas puedan tropezar con ellos o que los objetos puedan descansar sobre éstos.
10. El panel de LCD utilizado en este producto está hecho de cristal. Consiguientemente, podría romperse si el producto cae al suelo o recibe un golpe. Tenga cuidado de no herirse con los trozos de cristal en caso de rotura del panel de LCD.
11. Sobrecarga — No sobrecargue las tomas de corriente ni los cables alargadores o regletas. La sobrecarga podría provocar incendios o descargas eléctricas.
12. Introducción de objetos y líquidos — No inserte nunca objetos en el producto a través de los respiraderos o las ranuras de ventilación. El producto tiene altas tensiones en su interior y la inserción de objetos podría provocar descargas eléctricas y/o cortocircuitar los componentes internos.
Por la misma razón, no derrame agua o líquidos sobre el producto.
13. Servicio — No intente reparar usted mismo el producto. La retirada de las tapas podría exponerle a alto voltaje y otras circunstancias peligrosas. Solicite cualquier reparación a un técnico de servicio calificado.
14. Reparación — Si se produjera cualquiera de las circunstancias siguientes, desenchufe el cable de alimentación de la toma de corriente y solicite la reparación a un técnico de servicio calificado.
 - a. Cuando el cable de alimentación o el enchufe esté dañado.
 - b. Cuando se haya derramado un líquido sobre el producto o hayan caído objetos al interior del producto.
 - c. Cuando se haya expuesto el producto a la lluvia o al agua.
 - d. Cuando el producto no funcione correctamente según lo descrito en las instrucciones operativas.
No toque ningún control aparte de los descritos en las instrucciones de uso. El ajuste inadecuado de controles no descritos en las instrucciones podría provocar daños, lo que a menudo requiere un trabajo importante de ajuste por parte de un técnico calificado.
 - e. Cuando el producto haya caído al suelo o se haya dañado.
 - f. Cuando el producto presente un estado anormal. Cualquier anomalía perceptible en el producto indicará que éste necesita servicio.
15. Repuestos — En caso de que el producto necesite repuestos, asegúrese de que el técnico de servicio utiliza las piezas de sustitución especificadas por el fabricante, o unas con las mismas características y rendimiento que las piezas originales. El uso de piezas no autorizadas podría tener como resultado incendio, descargas eléctricas y/u otros daños.
16. Comprobaciones de seguridad — Tras la finalización del trabajo de servicio o reparación, solicite al técnico de servicio que lleve a cabo comprobaciones de seguridad para asegurarse de que el producto se encuentra en perfectas condiciones de funcionamiento.
17. Montaje mural — Cuando monte el producto sobre una pared, asegúrese de instalarlo de acuerdo con el método recomendado por el fabricante.
18. Fuentes de calor — Mantenga el producto alejado de fuentes de calor como pueden ser radiadores, calentadores, estufas y otros productos que generen calor (incluyendo amplificadores).
19. Pilas — El uso incorrecto de las pilas podría causar la explosión o ignición de las mismas. Las fugas de las pilas pueden oxidar el equipo y ensuciarle las manos o la ropa. Para evitar estos problemas, asegúrese de observar las siguientes precauciones:
 - Utilice únicamente las pilas especificadas.
 - Instale las pilas con la polaridad apropiada de las mismas (+) y (-) de acuerdo con las indicaciones del compartimento.
 - No mezcle pilas viejas y nuevas.
 - No mezcle pilas de distintos tipos. Las especificaciones de voltaje de pilas con la misma forma pueden variar.
 - Sustituya las pilas gastadas por unas nuevas a la mayor brevedad.
 - Extraiga las pilas si no piensa utilizar el control remoto durante un período de tiempo prolongado.
 - Si el líquido de pilas con fugas entrara en contacto con la piel o la ropa, lave inmediatamente con agua abundante. Si le entrara en los ojos, láveselos abundantemente sin frotar y acuda inmediatamente al médico. El contacto de líquido de las pilas con los ojos o la ropa podría causar irritación de la piel o daños oculares.
20. El monitor no deberá utilizarse en lugares con riesgos o peligros fatales que pudieran provocar directamente la muerte, lesiones personales, daños físicos graves u otras pérdidas, incluyendo control de reacción nuclear en instalaciones nucleares, sistemas médicos de soporte vital y control de lanzamiento de misiles en sistemas armamentísticos.

PRECAUCIONES DE SEGURIDAD (Continuación)

21. No permanezca en contacto durante períodos prolongados de tiempo con componentes del producto que se recalienten. Podrían producirse quemaduras de baja temperatura.

ADVERTENCIA:

Este es un producto Clase A. En un entorno doméstico este producto puede causar interferencias de radio en cuyo caso será necesario que el usuario adopte las medidas pertinentes.

Para mantener la conformidad con la normativa sobre compatibilidad electromagnética (EMC), utilice cables blindados para la conexión a los siguientes terminales: terminal de salida de PC/AV DVI-D, terminal de entrada PC/AV DVI-D, terminal de entrada PC/AV HDMI, terminal de entrada PC D-sub, terminales de entrada PC RGB y terminales de entrada/salida RS-232C.

Si el monitor no se coloca en una ubicación lo suficientemente estable, podría resultar potencialmente peligroso debido al riesgo de caída. Muchas lesiones, especialmente a los niños, pueden evitarse adoptando precauciones sencillas como pueden ser:

- Utilizar dispositivos de fijación como pueden ser soportes de montaje mural recomendados por el fabricante.
- Emplear únicamente muebles que puedan soportar de forma segura el monitor.
- Asegurarse de que el monitor no sobresale del borde del mueble que sirve de apoyo.
- No colocar el monitor sobre muebles altos (por ejemplo, armarios o librerías) sin anclar el mueble y el monitor a un soporte adecuado.
- No colocar los monitores sobre paños u otros materiales ubicados entre el monitor y el mueble de apoyo.
- Educar a los niños sobre los peligros de trepar a los muebles para llegar al monitor o a sus controles.

Especialmente para la seguridad de los niños

- No permita que los niños trepen al monitor o jueguen con éste.
- No coloque el monitor sobre muebles que se puedan usar como peldaños, como pueden ser los cajones de una cómoda.
- Recuerde que los niños se pueden agitar mientras ven un programa, especialmente en un monitor en el que las cosas se ven "más grandes que en la vida real". Deberá tenerse cuidado de colocar o instalar el monitor en lugares en los que no se pueda empujar, mover o tirar al suelo.
- Deberá procurarse enrutar todos los cables conectados al monitor de modo que los niños curiosos no puedan tirar de ellos ni agarrarlos.

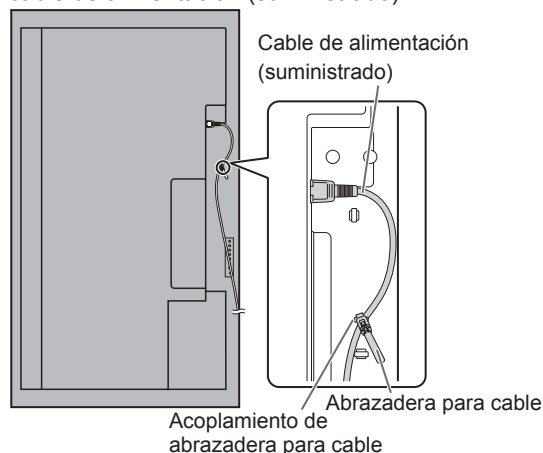
INSTRUCCIONES DE SEGURIDAD

- No emplee el monitor en lugares con un nivel elevado de polvo o humedad ni donde éste pueda entrar en contacto con aceite o vapor. Tampoco lo utilice en un entorno en el que haya gases corrosivos (dióxido de azufre, sulfuro de hidrógeno, dióxido de nitrógeno, cloro, amoníaco, ozono, etc.), ya que esto podría provocar un incendio.
 - Asegúrese de que el monitor no entre en contacto con agua ni otros líquidos. Asegúrese de no introducir en el monitor objetos como pueden ser clips o chinchetas, ya que esto podría causar incendios o descargas eléctricas.
 - No coloque el monitor encima de objetos inestables ni en lugares inseguros. No permita que el monitor reciba golpes fuertes ni que vibre demasiado. La caída o pérdida de equilibrio del monitor podría dañarlo.
 - No utilice el monitor cerca de aparatos de calefacción ni en lugares donde puedan existir temperaturas elevadas, ya que esto podría conducir a la generación de calor excesivo y provocar un incendio.
 - No utilice el monitor en lugares en los que pueda estar expuesto a la luz solar directa.
 - Si la monitor se instala en un lugar expuesto a la luz solar, como por ejemplo cerca de una ventana, deberán adoptarse medidas para reducir la radiación ultravioleta e infrarroja así como la temperatura. Para obtener una información detallada, consulte a su distribuidor.
 - La toma de corriente deberá estar instalada cerca del equipo y ser accesible fácilmente.
- ### Cable de alimentación
- Emplee únicamente el cable de alimentación suministrado con el monitor.
 - No dañe el cable de alimentación ni coloque objetos pesados sobre el mismo. No lo estire ni lo doble excesivamente. Tampoco añada cables alargadores ni regletas. Si el cable se daña, podrían producirse incendios o descargas eléctricas.
 - No utilice el cable de alimentación con una regleta. La adición de un cable alargador o una regleta podría causar un incendio por sobrecalentamiento.
 - No retire ni inserte el enchufe con las manos mojadas. Podrían producirse descargas eléctricas.
 - Desenchufe el cable de alimentación si no piensa utilizar el equipo durante un período de tiempo prolongado.
 - No intente reparar el cable de alimentación si éste está roto o no funciona adecuadamente. Solicite cualquier reparación al representante de servicio técnico autorizado.

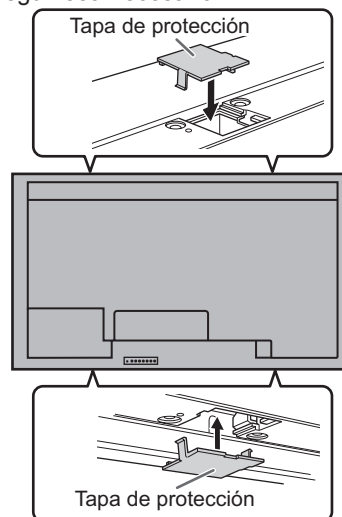
PRECAUCIONES DE MONTAJE

- Este producto es para uso en interiores.
- Se requiere un soporte de montaje en conformidad con las especificaciones VESA.
- Este monitor es pesado. Por consiguiente, consulte a su distribuidor antes de instalar, desinstalar o trasladar el monitor.
- El montaje mural del monitor requiere un soporte especial y el trabajo deberá ser efectuado por un distribuidor autorizado de SHARP. Nunca deberá intentar realizar este trabajo usted mismo. Nuestra empresa no se hace responsable en caso de accidentes o lesiones causados por un montaje o una manipulación inadecuados.
- Utilice el monitor perpendicular a una superficie nivelada. Si fuera necesario, el monitor podrá inclinarse un máximo de 20 grados hacia arriba o hacia abajo.
- Cuando monte el monitor horizontalmente, será necesaria la cubierta del ventilador opcional (PN-ZR31). Para obtener una información detallada así como las condiciones de montaje horizontal, consulte a su distribuidor.
- Este monitor deberá utilizarse a una temperatura ambiente de entre 0 y 40°C.
- Evite altas temperaturas en el área circundante. Cuando instale el monitor dentro de una carcasa, o si la temperatura ambiente pudiera estar fuera del rango de temperatura de 0 a 40°C, instale un ventilador o adopte otras medidas para mantener la temperatura ambiente dentro del rango necesario.
- Las condiciones de temperatura podrían cambiar al utilizar el monitor conjuntamente con los equipos opcionales recomendados por SHARP. En dichos casos, compruebe las condiciones de temperatura especificadas por los equipos opcionales.
- No bloquee ninguna ranura de ventilación. Si la temperatura del interior del monitor aumentara, podrían producirse malfuncionamientos.
- No coloque el monitor sobre un dispositivo que genere calor.
- Respete lo siguiente cuando instale el monitor en orientación vertical. El incumplimiento de las siguientes medidas podría provocar malfuncionamientos.
 - Para realizar la instalación en orientación horizontal, gire el monitor 90 grados a la derecha.
 - Establezca la opción MONITOR del menú SETUP <INSTALACIÓN> en PORTRAIT <MODO VERTICAL>.(Véase el Manual de instrucciones.)

- Asegúrese de fijar el cable de alimentación (suministrado) al acoplamiento de abrazadera para cable con la abrazadera para cable suministrada. Asegúrese de que el cable de alimentación (suministrado) no proporciona alimentación al terminal al fijarlo y no curve demasiado el cable de alimentación (suministrado).



- Tras instalar el monitor, fije las tapas de protección (4 unidades) según sea necesario.



Componentes suministrados

Si falta algún componente, póngase en contacto con su distribuidor.

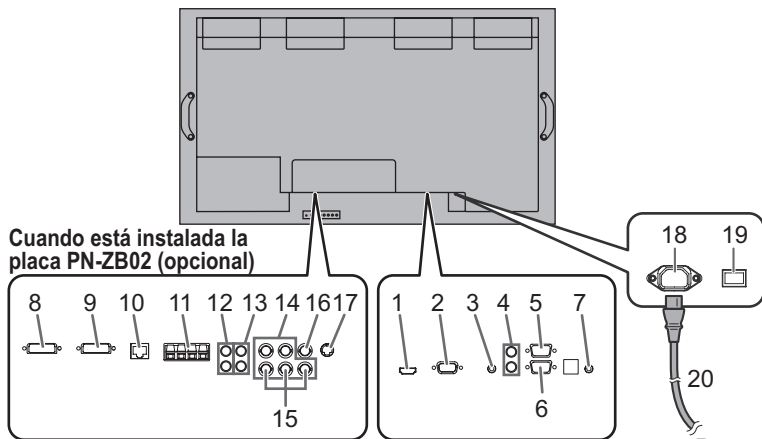
- | | |
|---|---|
| <input type="checkbox"/> Monitor de pantalla de cristal líquido: 1 | <input type="checkbox"/> Tapa de protección: 4 |
| <input type="checkbox"/> Abrazadera para cable: 2 | <input type="checkbox"/> Tornillos de las asas (cortos): 4 |
| <input type="checkbox"/> Cable de alimentación: 1 | <input type="checkbox"/> Lámina de bisel (larga/corta): 2 de cada |
| <input type="checkbox"/> CD-ROM (Disco de utilidades para Windows): 1 | <input type="checkbox"/> Instrucciones para la instalación de láminas de bisel: 1 |
| <input type="checkbox"/> Manual de instalación (este manual): 1 | |

* Sharp Corporation posee los derechos de autor del programa Disco de utilidades. No lo reproduzca sin permiso.

* ¡Para protección medioambiental!

No vierta las pilas en la basura doméstica. Respete la normativa de vertido local.

Conexiones



1. Terminal de entrada PC/AV HDMI
2. Terminal de entrada PC D-sub
3. Terminal de entrada de audio
4. Terminales de salida de audio
5. Terminal de salida RS-232C
6. Terminal de entrada RS-232C
7. Terminal de kit de control
8. Terminal de entrada PC/AV DVI-D
9. Terminal de salida PC/AV DVI-D
10. Terminal de LAN
11. Terminales de altavoces externos
12. Terminales de entrada Audio1
13. Terminales de entrada Audio2
14. Terminales de entrada PC RGB
15. Terminales de entrada AV component
16. Terminal de entrada AV video
17. Terminal de entrada AV S-video
18. Terminal de entrada de corriente
19. Interruptor primario
20. Cable de alimentación (suministrado)

!Precaución

- Asegúrese de apagar el interruptor primario y desconectar el enchufe de la toma de corriente antes de conectar/desconectar los cables. Asimismo, lea el manual del equipo que desea conectar.
- Tenga cuidado de no confundir el terminal de entrada con el terminal de salida al conectar los cables. La inversión accidental de los cables conectados a los terminales de entrada y salida podría causar malfuncionamientos y otros problemas.

CONSEJOS

- Ajuste el terminal de entrada de audio usado para cada modo de entrada en AUDIO SELECT <SELECCIÓN DE AUDIO> en el menú OPTION <OPCIONES>. A continuación se muestran los ajustes de fábrica.

Modo de entrada	Terminal de entrada de audio (ajuste de fábrica)
PC D-SUB, PC DVI-D, PC RGB	Terminal de entrada de audio
AV DVI-D	Terminal de entrada Audio1
AV COMPONENT, AV S-VIDEO, AV VIDEO	Terminal de entrada Audio2
PC HDMI, AV HDMI	Terminal de entrada PC/AV HDMI

- Cuando se conecta el altavoz externo, instale el núcleo de cable de altavoz (incluido en el accesorio opcional PN-ZB02).
- HDMI, el logotipo de HDMI y High-Definition Multimedia Interface son marcas comerciales o registradas de HDMI Licensing LLC.

Conexión de múltiples monitores

[Ejemplo]

Segundo monitor Esclavo (unidad de expansión) Nº de ID: 2	Primer monitor Maestro (unidad principal) Nº de ID: 1
Tercer monitor Esclavo (unidad de expansión) Nº de ID: 3	Cuarto monitor Esclavo (unidad de expansión) Nº de ID: 4

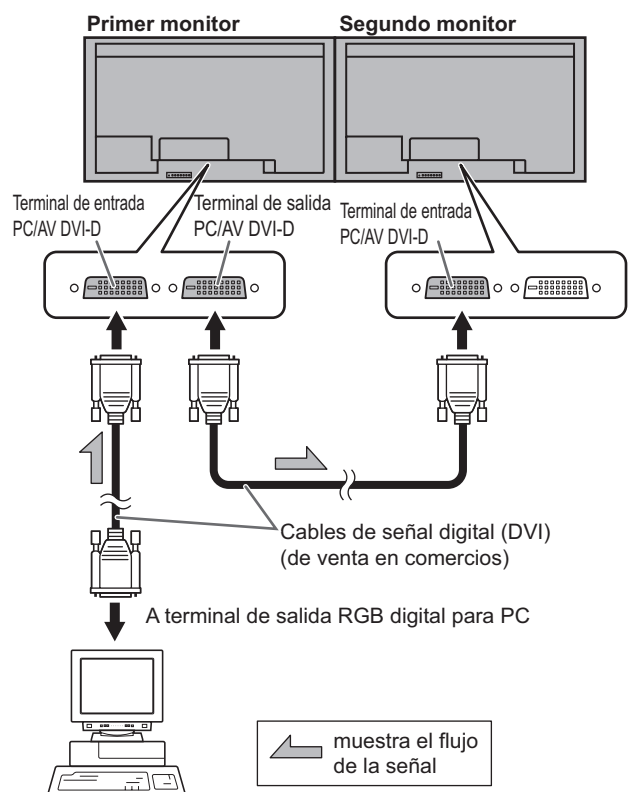
Cajetín del sensor de control remoto (suministrado con el kit PN-ZR01 (opcional))

- * Instale siempre el cajetín del sensor de control remoto en el monitor maestro.

■ Conexión con cable de vídeo

Podría variar en función del sistema utilizado.

Si se usa el terminal PC/AV DVI-D, podrán conectarse hasta 5 monitores en serie (cuando esté instalada la placa PN-ZB02)



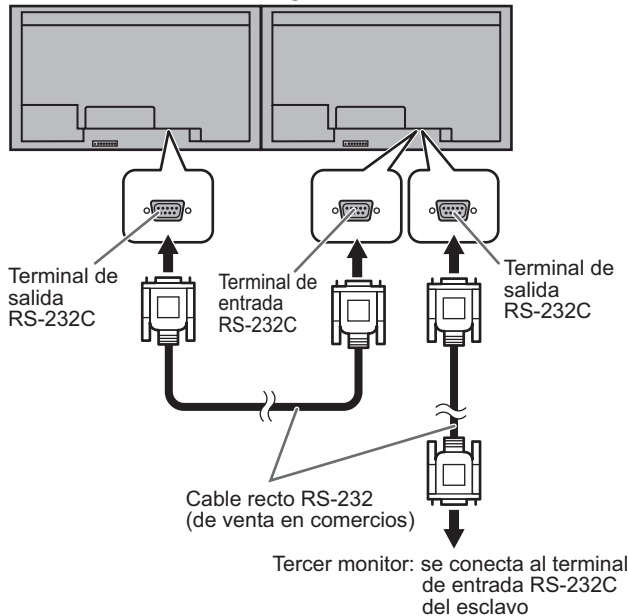
■ Conexión con cable RS-232

Si conecta el monitor en serie mediante un cable RS-232, usando los botones de control del monitor maestro (unidad principal), podrá copiar los ajustes al monitor esclavo (unidad de expansión), y el control de todos los monitores podrá hacerse a través del uso del maestro. Será necesario configurar cada nº de ID en el monitor.

El primer monitor se establecerá como maestro (unidad principal) y el segundo monitor y siguientes serán esclavos (unidades de expansión).

Conecte los cables RS-232C por orden, comenzando por el primer monitor (monitor maestro). Si los monitores se conectan en un orden distinto, tal vez no puedan utilizarse.

Primer monitor: maestro Segundo monitor: esclavo



Conecte el tercer monitor y otros monitores del mismo modo. Es posible conectar hasta 25 monitores (dependiendo de la longitud del cable utilizado y del entorno circundante).

El Número de ID se establece con los botones del monitor principal. Si establece AUTO ASSIGN ID No. <AUTO ASIGNACIÓN NO. ID>, dentro del menú del monitor, en ON <SÍ>, el nº de ID se asignará automáticamente por orden a partir del maestro.

■ Conexión con el kit de control (opcional)

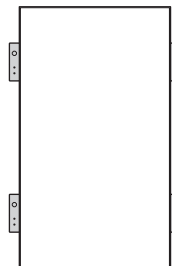
Si usa el monitor con el control remoto, será necesario el kit de control PN-ZR01 (opcional).

Acople el cajetín del sensor de control remoto según se muestra en la siguiente ilustración. (lado derecho recomendado)

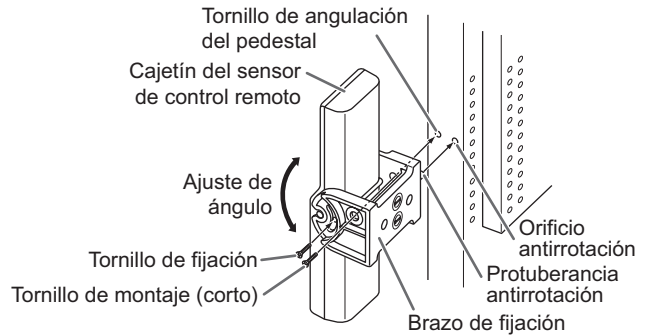
Para el monitor en orientación horizontal



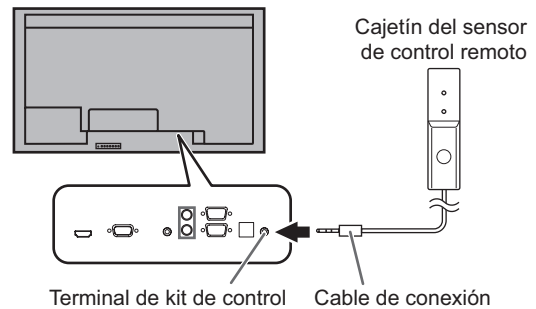
Para el monitor en orientación vertical



1. Inserte la protuberancia antirrotación del brazo de fijación en el orificio antirrotación del monitor.
2. Fije el orificio de angulación del pedestal del monitor con el tornillo de montaje.
3. Ajuste el ángulo del cajetín del sensor de control remoto y asegúrelo con el tornillo de fijación de modo que pueda recibir señales de forma precisa desde el control remoto.

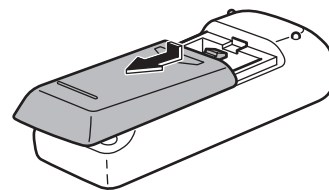


4. Inserte el cable de conexión del cajetín del sensor de control remoto en el terminal del kit de control.



Instalación de las pilas

1. Presione suavemente la tapa y deslícela en la dirección de la flecha.



2. Consulte las indicaciones del compartimento y coloque las pilas (R-6 (tamaño "AA") x 2) (suministradas con el kit PN-ZR01 (opcional)) con la polaridad (+) y (-) correcta.
3. Cierre la tapa.

! Precaución

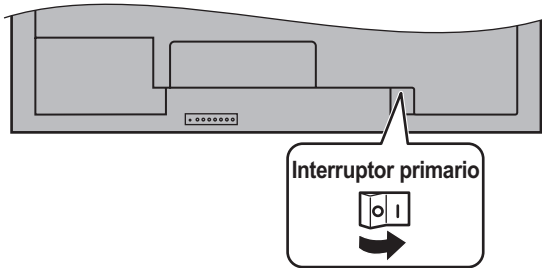
- Cuando acople el cajetín del sensor de control remoto, apague el interruptor de alimentación principal.
- Conecte los monitores en serie con un cable RS-232.

Encendido/apagado

! Precaución

- Encienda el monitor antes de encender el PC o el dispositivo de reproducción.

Encendido de la alimentación principal



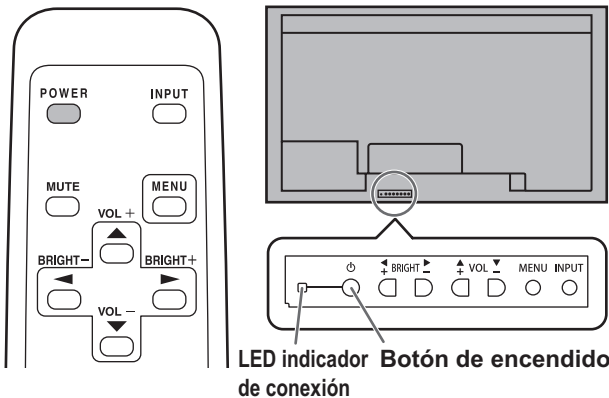
! Precaución

- La alimentación principal deberá encenderse/apagarse con el interruptor primario. No conecte/desconecte el cable de alimentación ni active/desactive el disyuntor mientras el interruptor primario está encendido.
- Cuando apague el interruptor primario o el botón POWER y lo vuelva a encender, espere siempre 5 segundos como mínimo.
- Para la desconexión eléctrica completa, desconecte el enchufe principal.

Encendido/apagado

Pulse el botón POWER del control remoto o del propio monitor para encender/apagar.

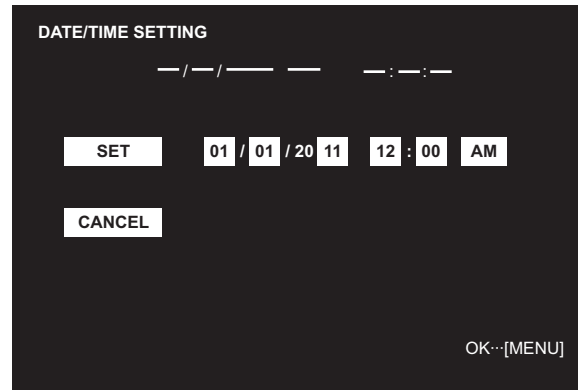
Cuando el interruptor primario esté apagado, el monitor no podrá encenderse utilizando el botón POWER del control remoto.



Estado del LED indicador de conexión	Estado del monitor
Verde encendido	Alimentación encendida
Naranja encendido	Alimentación apagada (modo en espera)
Verde parpadeando	Modo de espera de señal de entrada

■ Ajuste de fecha y hora

- Si aún no se ha ajustado la hora al encender el monitor por vez primera, aparecerá la pantalla de ajuste de la fecha y la hora. Ajuste la fecha y la hora.



1. Pulse , , o para seleccionar la fecha y la hora y pulse o para cambiar los valores numéricos.
 2. Pulse o para seleccionar SET <AJUSTAR> y, a continuación, pulse .
- Asegúrese de ajustar la fecha y la hora.
 - La pantalla de ajuste de la fecha y la hora se cerrará automáticamente si no se lleva a cabo ninguna operación durante aproximadamente 15 segundos. La fecha y la hora podrán ajustarse utilizando DATE/TIME SETTING <AJUSTE FECHA/HORA> en el menú OPTION <OPCIONES> cuando desaparezca la pantalla de ajuste de la fecha y la hora.

CONSEJOS

- Ajuste la fecha en el orden "Mes/Día/Año".
- Ajuste la hora en el formato de 12 horas.
- El reloj es alimentado por la pila interna.
- Si ya ha ajustado la hora pero aparece la pantalla de ajuste de la fecha y la hora en el encendido, la pila interna podría estar gastada. Póngase en contacto con su distribuidor o servicio técnico de Sharp para obtener ayuda sobre la sustitución de la pila.
- Vida estimada de la pila interna: aproximadamente 5 años (dependiendo del funcionamiento del monitor)
- La pila inicial se ha insertado en el momento de la salida de fábrica del monitor, por lo que podría agotarse antes del tiempo esperado de vida útil.

Especificaciones principales

Modelo	PN-V600A
Requisitos de alimentación	100 V - 240 V ca 50/60 Hz
Temperatura de funcionamiento *	0°C a 40°C
Humedad de funcionamiento	20% al 80% (sin condensación)
Consumo de energía (máxima)	305 W [Cuando está instalada la placa PN-ZB02 (opcional): 310 W]
Dimensiones (excluidas las protuberancias) (mm)	Aprox. 1335,9 x 149,3 x 754,2
Peso (kg)	Aprox. 41 [PN-ZB02 (opcional): Aprox. 0,5]

* Las condiciones de temperatura podrían cambiar al utilizar la pantalla conjuntamente con los equipos opcionales recomendados por SHARP. En dichos casos, compruebe las condiciones de temperatura especificadas por los equipos opcionales.

Como parte de la política de mejoras continuas, SHARP se reserva el derecho de realizar cambios en el diseño y especificaciones para la mejora del producto sin previo aviso. Las figuras indicadas que especifican el rendimiento son valores nominales de los aparatos de producción. Puede haber algunas desviaciones de estos valores en los aparatos individuales.

Precauciones de montaje (para distribuidores y técnicos de servicio de SHARP)

- Cuando instale, desinstale o traslade el monitor, asegúrese de agarrarlo entre 2 personas como mínimo.
- Asegúrese de utilizar un soporte de montaje mural diseñado para la instalación del monitor.
- Este monitor está diseñado para su instalación sobre un muro o pilar de hormigón. Tal vez resulte necesario realizar un trabajo de refuerzo para ciertos materiales como pueden ser yeso, paneles de plástico finos o madera antes de iniciar la instalación. Este monitor y el soporte deberán instalarse en una pared con una resistencia de al menos 4 veces el peso del monitor. Realice la instalación mediante el método más adecuado para el material y la estructura.
- Para colocar una ménsula de montaje compatible con VESA, use tornillos M6 que sean 8 mm a 10 mm más largos que la ménsula de montaje.
- Cuando traslade el monitor, asegúrese de sujetarlo por las asas o bien por las esquinas de la parte inferior de la unidad. No lo agarre por el panel de LCD. Esto podría provocar daños en el producto, fallos o lesiones.
- Cuando realice una instalación en la que se apile el monitor, instálelo de modo que no se coloque carga sobre la estructura del mismo.
- Una vez efectuado el montaje, asegúrese de que el monitor está instalado de forma segura y que no se puede aflojar de la pared o el soporte.
- No utilice orificios de tornillos que no sean orificios VESA para la instalación.

SHARP®
SHARP CORPORATION

Printed in China
Imprimé en Chine
Impreso en China

13J YT1
TINSE1323MPZZ(1)