



LG

Life's Good

ENGLISH

OWNER'S MANUAL

NETWORK MONITOR

Please read the safety information carefully before using the product.

Network Monitor Model

N195WU

N225WU

www.lg.com

TABLE OF CONTENTS

3 ASSEMBLING AND PREPARING

- 3 Unpacking
- 4 Parts and buttons
- 7 Lifting and moving the Monitor set
- 7 Setting Up the Monitor set
 - 7 - Attaching the Stand Base
 - 8 - Detaching the stand base
 - 8 - Adjusting the stand body
 - 9 - Adjusting the angle
 - 9 - Mounting on a table
 - 10 - Using the Kensington locking device
 - 11 - Detaching the stand body
 - 11 - Installing the wall mount plate
 - 12 - Mounting on a wall

13 USING THE MONITOR SET

- 13 Using Primary Station
 - 13 - D-SUB IN connection - PC
- 14 Using Standard Stations
 - 14 - USB cable connection - PC
 - 14 - USB cable connection to Daisy Chain
 - 15 - Peripheral device connection
 - 15 - Self Image Adjustment

16 CUSTOMIZING SETTINGS

- 16 Accessing The Main Menus
- 17 MENU Settings
 - 17 - Picture
 - 18 - Color
 - 19 - Display
 - 20 - Volume
 - 21 - Others
- 22 SMART+ Settings
(Only N195WU model)
 - 22 - Auto Bright
 - 23 - Original Ratio
- 24 AUTO Settings : D-SUB Input

25 TROUBLESHOOTING

27 PRODUCT SPECIFICATION

- 29 Preset Mode
- 29 Power Indicator
- 29
- 29

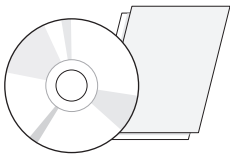
30 PROPER POSTURE

- 30 Proper posture for using the monitor

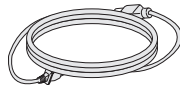
ASSEMBLING AND PREPARING

Unpacking

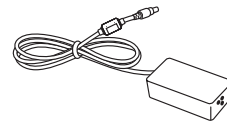
Please check whether all the components are included in the box before using the product. If there are missing components, contact the retail store where you purchased the product. Note that the product and components may look different from those shown here.



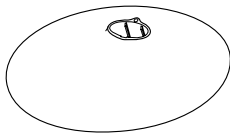
**User Manual/
Software Installation CD/
Card**



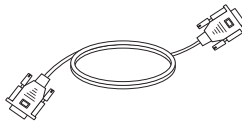
Power Cord



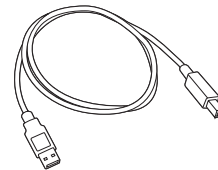
AC/DC adaptor



Stand Base



15-pin D-SUB Signal Cable



A-B Type USB Cable



CAUTION

- Only use an approved LG power adapter.
- Damage caused by other power adapters is not covered by warranty.

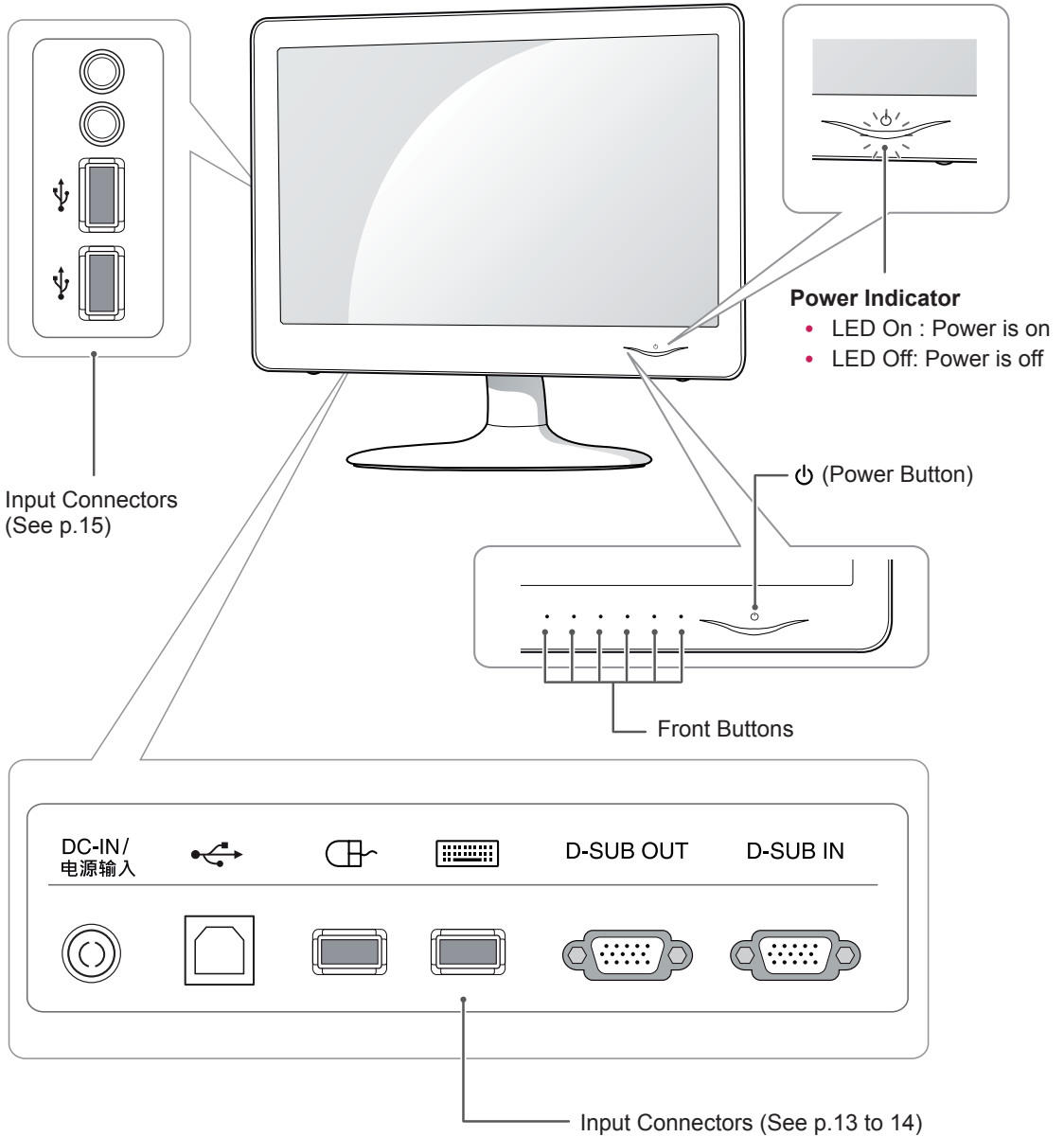


NOTE

- Note that the components may look different from those shown here.
- Without prior notice, all information and specifications in this manual are subject to change to improve the performance of the product.
- To purchase optional accessories, visit an electronics store or online shopping site or contact the retail store where you purchased the product.

Parts and buttons

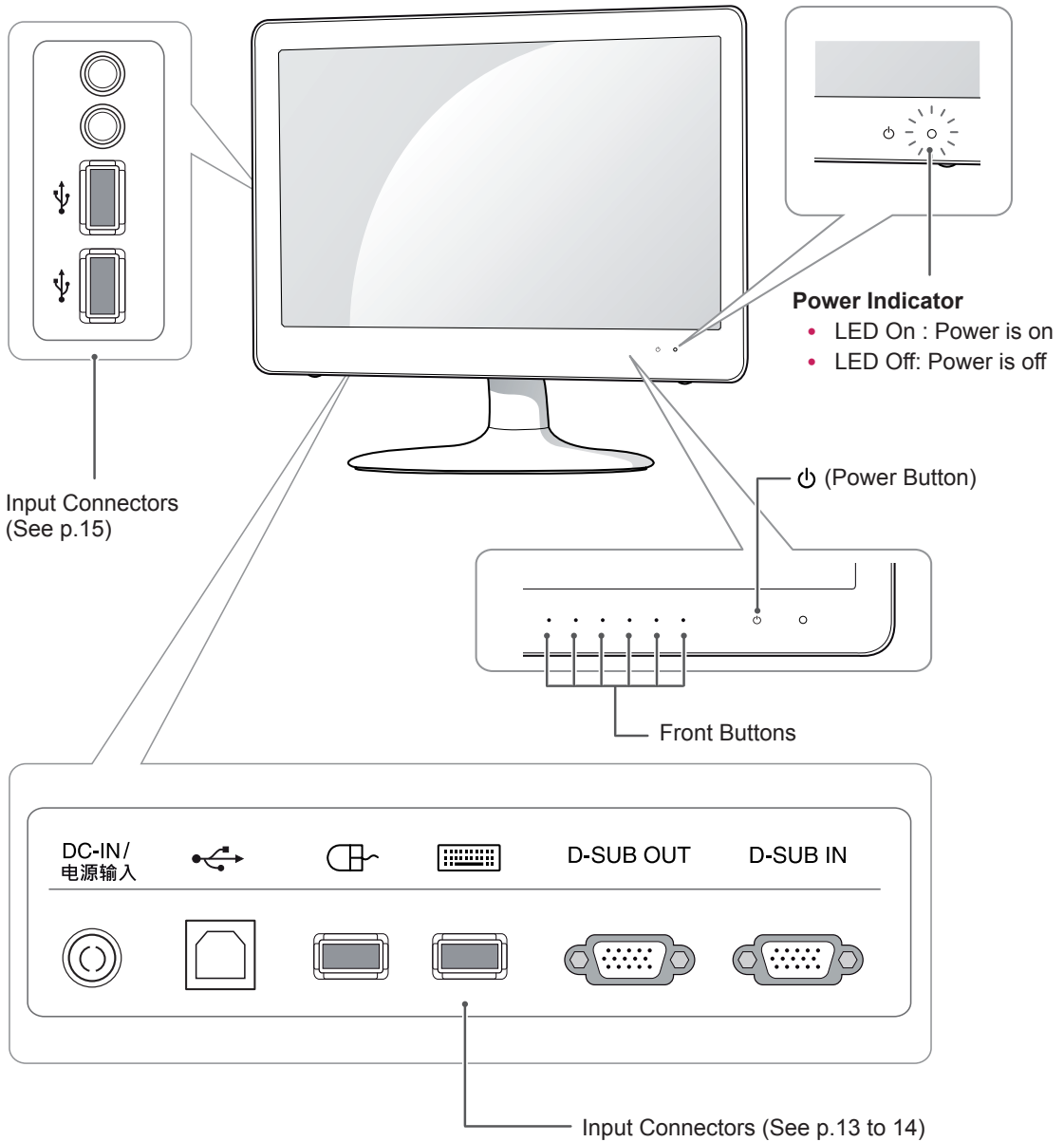
N195WU



NOTE

- Keep radio away 10 cm from the front side buttons and power button.

N225WU



! **NOTE**

- Keep radio away 10 cm from the front side buttons and power button.

Button	Description				
MENU	Activates the main menu.				
	OSD Lock/Unlock Functions <ul style="list-style-type: none"> Locks/unlocks the OSD screen. <ul style="list-style-type: none"> To lock the OSD screen, press and hold the MENU button for several seconds. The "OSD LOCKED" message will be displayed and the screen will be locked. To unlock the OSD screen, press and hold the MENU button again for several seconds. The "OSD UNLOCKED" message will be displayed and the screen will be unlocked. 				
SMART+ (Only N195WU model)	Use this button to enter AUTO BRIGHT, ORIGINAL RATIO menus.				
AUTO	To adjust the monitor settings, press the AUTO button on the MONITOR SETUP OSD menu (only supported for analog signal(D-SUB)). For optimal screen display, use the following resolution.				
	Optimal Resolution				
	<table border="1"> <tr> <td>N195WU</td> <td>1366 x 768</td> </tr> <tr> <td>N225WU</td> <td>1920 x 1080</td> </tr> </table>	N195WU	1366 x 768	N225WU	1920 x 1080
N195WU	1366 x 768				
N225WU	1920 x 1080				
INPUT	Allows selection of the input signal. <ul style="list-style-type: none"> If you connect the monitor to a computer using a D-SUB cable, select either the USB or D-SUB input signal. If only one computer is connected to the monitor, the input signal is detected automatically. The initial input signal is USB. 				
EXIT	Exits the OSD menu.				
⏻ (Power Button)	D-SUB input <ul style="list-style-type: none"> Use this button to switch the monitor on or off. USB input <ul style="list-style-type: none"> On : Press the power button to turn on the power. Monitor Off : If you press the power button, the monitor will automatically turn off after 5 seconds. USB Off : Press the power button twice to turn off the USB power. 				
	Power Indicator				
	<table border="1"> <tr> <td>N195WU</td> <td>When the monitor is in operating mode, the power indicator will turn purple (on mode). When the monitor is in power saving mode, the power indicator will blink purple.</td> </tr> <tr> <td>N225WU</td> <td>When the monitor is in operating mode, the power indicator will turn blue (on mode). When the monitor is in power saving mode, the power indicator will blink blue.</td> </tr> </table>	N195WU	When the monitor is in operating mode, the power indicator will turn purple (on mode). When the monitor is in power saving mode, the power indicator will blink purple.	N225WU	When the monitor is in operating mode, the power indicator will turn blue (on mode). When the monitor is in power saving mode, the power indicator will blink blue.
	N195WU	When the monitor is in operating mode, the power indicator will turn purple (on mode). When the monitor is in power saving mode, the power indicator will blink purple.			
N225WU	When the monitor is in operating mode, the power indicator will turn blue (on mode). When the monitor is in power saving mode, the power indicator will blink blue.				

Lifting and moving the Monitor set

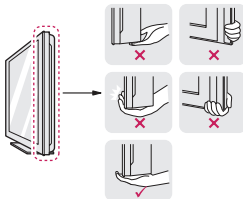
When moving or lifting the Monitor set, read the following to prevent the Monitor set from being scratched or damaged and for safe transportation regardless of its type and size.



CAUTION

- Avoid touching the screen at all times, as this may result in damage to the screen or some of the pixels used to create images.

- It is recommended to move the Monitor set in the box or packing material that the Monitor set originally came in.
- Before moving or lifting the Monitor set, disconnect the power cord and all cables.
- Hold the top and bottom of the Monitor set frame firmly. Make sure not to hold the transparent part, speaker, or speaker grill area.



- When holding the Monitor set, the screen should face away from you to prevent the screen from scratches.



- When transporting the Monitor set, do not expose the Monitor set to jolts or excessive vibration.
- When transporting the Monitor set, keep the Monitor set upright, never turn the Monitor set on its side, or tilt towards the left or right.

Setting Up the Monitor set

Attaching the Stand Base

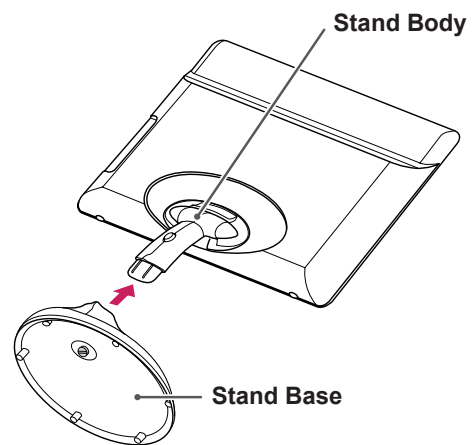
- 1 Place the monitor's screen face down.



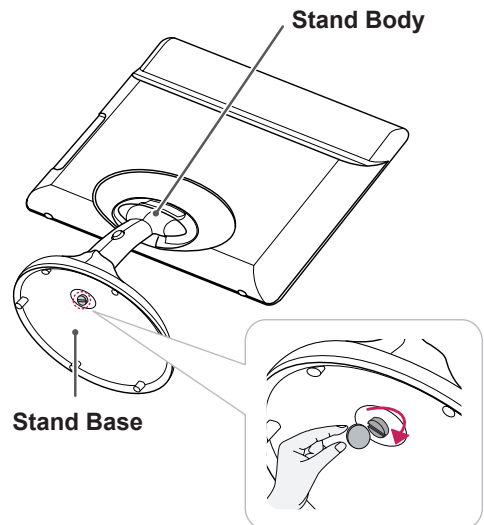
CAUTION

- To protect the screen from scratches, cover the surface with a soft cloth.

- 2 Check the **position (at the front and rear)** of the stand body, then mount the **stand base** on the **stand body** as shown in the figure.

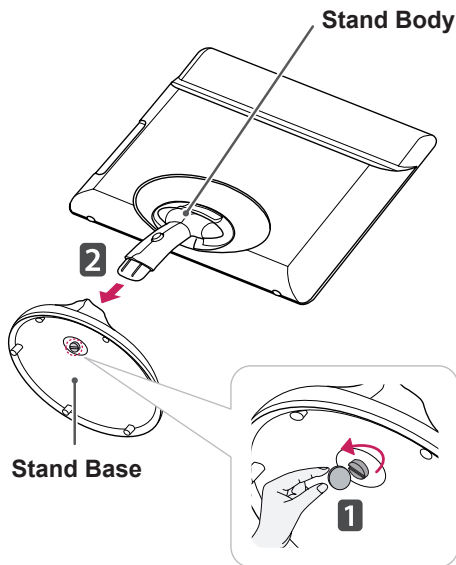


- 3 Using a coin, turn the screw clockwise to secure the **stand base**.



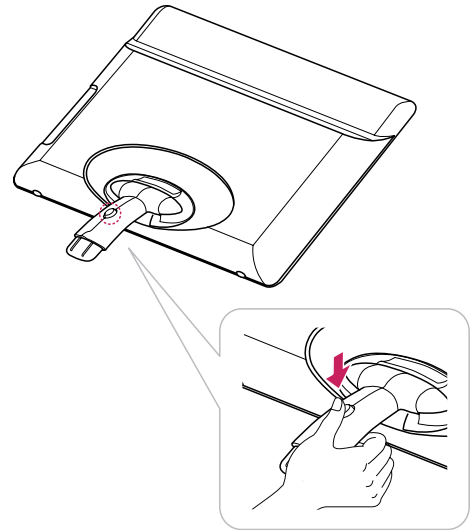
Detaching the stand base

- 1 Place the monitor's screen face down.
To protect the screen from scratches, cover the surface with a soft cloth.
- 2 Using a coin, turn the screw in the stand base counterclockwise. Detach the **stand base** from the **stand body**.



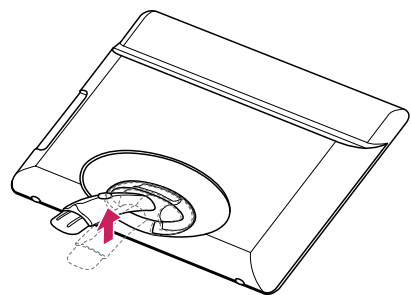
Adjusting the stand body

- 1 Place the monitor's screen face down.
To protect the screen from scratches, cover the surface with a soft cloth.
- 2 Press the button as shown and pull the stand body up.



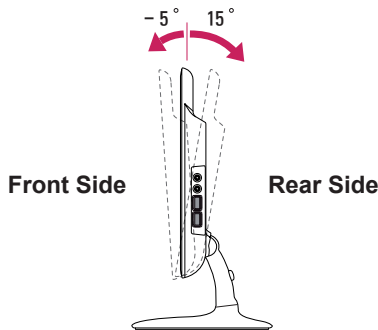
⚠ CAUTION

- The components appearing in the illustrations may look different from the actual product.
- Do not carry the monitor upside-down as this may cause it to fall off its stand, resulting in damage or injury.
- To avoid damaging the screen when lifting or moving the monitor, only hold the stand or the plastic cover. This avoids putting unnecessary pressure on the screen.



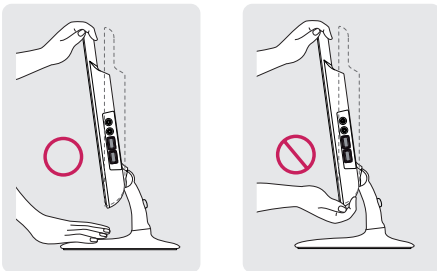
Adjusting the angle

- 1 Place the monitor mounted on the stand base in an upright position.
- 2 Adjust the angle of the screen. The angle of the screen can be adjusted up to 15° forwards and 5° backwards for a comfortable viewing experience.

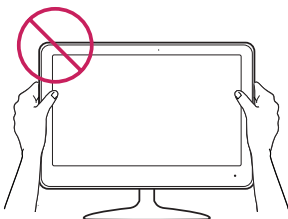


! WARNING

- To avoid injury to the fingers when adjusting the screen, do not hold the lower part of the monitor's frame as illustrated below.



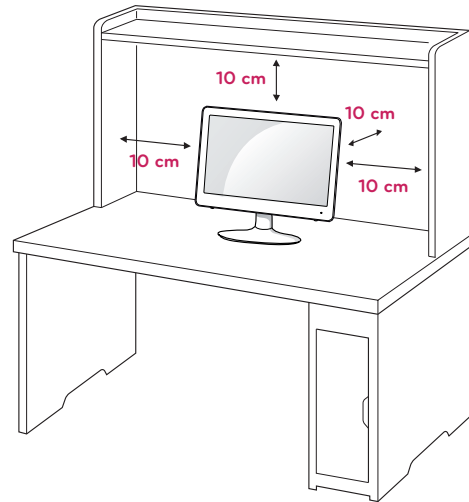
- Be careful not to touch or press the screen area when adjusting the angle of the monitor.



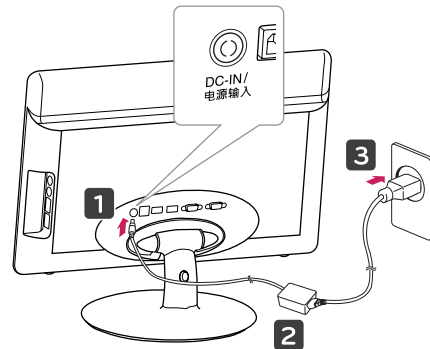
Mounting on a table

- 1 Lift the monitor and place it on the table in an upright position.

Install at least **10 cm** away from the wall to ensure sufficient ventilation.



- 2 Connect the adaptor to the monitor, then plug the power cord into the wall outlet.



- 3 Press the ⏻ (Power) button on the front of the monitor to turn on the monitor.

! CAUTION

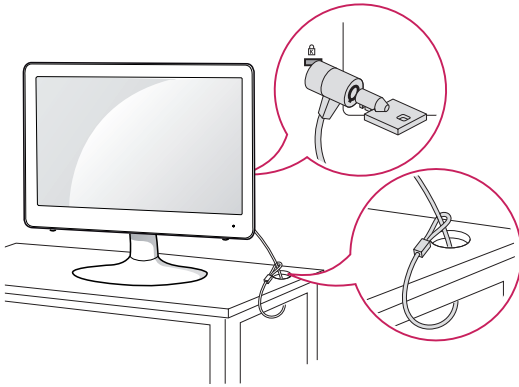
- Unplug the power cord prior to moving or installing the monitor. There is risk of electric shock.
- When you connect the DC jack to the monitor, ensure it is inserted tightly to prevent it from coming loose.

Using the Kensington locking device

The connector for the Kensington lock is located on the rear of the monitor.

For more information on installation and usage, refer to the Kensington lock user manual or visit the website at <http://www.kensington.com>.

Connect the monitor to the table with the Kensington lock cable.

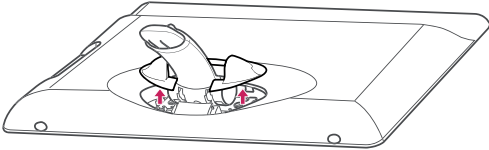


NOTE

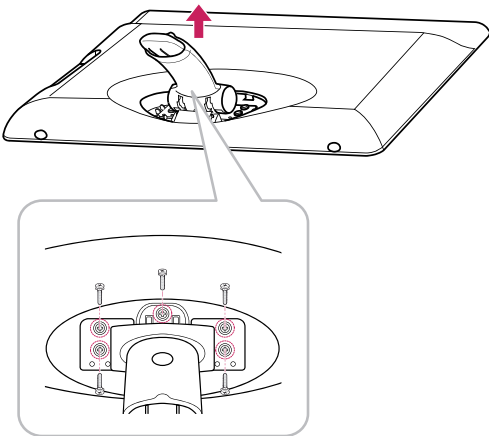
- Using the Kensington lock is optional. The accessories can be purchased at your local electronics store.

Detaching the stand body

- 1 Place the monitor's screen face down. To protect the screen from scratches, cover the surface with a soft cloth.
- 2 Using a screwdriver, Remove the Cover and detach from the monitor.



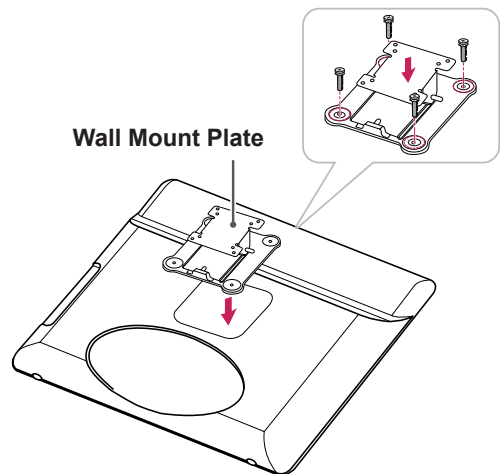
- 3 Using a screwdriver, remove the five screws and detach the stand from the monitor.



Installing the wall mount plate

This monitor has a VESA compatible mount on the back. Most mounts will require an LG mounting plate.

- 1 Place the monitor's screen face down. To protect the screen from scratches, cover the surface with a soft cloth.
- 2 Place the wall mount plate on the monitor and align it with the screw holes on the monitor.
- 3 Using a screwdriver, tighten the four screws to fix the plate onto the monitor.

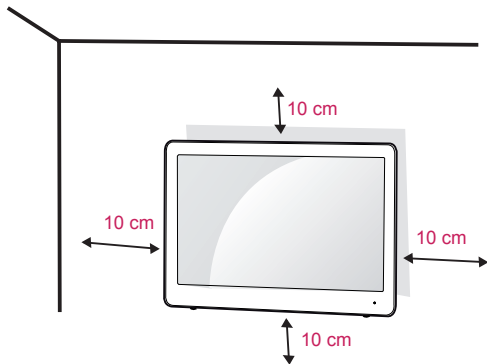


! NOTE

- The wall mount plate is sold separately.
- For more information on the installation, refer to the wall mount plate's installation guide.

Mounting on a wall

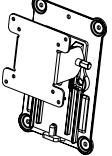
Install the monitor at least 10 cm away from the wall and leave about 10 cm of space at each side of the monitor to ensure sufficient ventilation. Detailed installation instructions can be obtained from your local retail store. Please refer to the manual to install and set up a tilting wall mounting bracket.



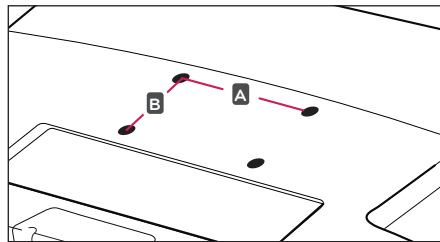
If you intend to mount the Monitor set to a wall, attach Wall mounting interface (optional parts) to the back of the set.

When you install the Monitor set using the wall mounting interface (optional parts), attach it carefully so it will not drop.

- 1 Please, Use the screw and wall mount interface in accordance with VESA Standards.
- 2 If you use screw longer than standard, the monitor might be damaged internally.
- 3 If you use improper screw, the product might be damaged and drop from mounted position. In this case, LG Electronics is not responsible for it.
- 4 VESA compatible.
- 5 Please use VESA standard as below.
 - 784.8 mm (30.9 inch) and under
 - * Wall Mount Pad Thickness : 2.6 mm
 - * Screw : Φ 4.0 mm x Pitch 0.7 mm x Length 10 mm
 - 787.4 mm (31.0 inch) and above
 - * Please use VESA standard wall mount pad and screws.

Model	N195WU
	N225WU
VESA (A x B)	75 x 75
Stand Screw	M4
Required Screw	4
Wall Mount Plate (Optional)	RW120 

- VESA (A x B)



! CAUTION

- Unplug the power cord before moving or installing the monitor to avoid electric shocks.

! NOTE

- The wall mount kit includes the installation guide and necessary parts.
- The wall mounting bracket is optional. The accessories can be purchased at your local retail store.
- The length of the screw may differ for each wall mounting bracket. Ensure the correct length of the screw is used.
- For more information, please refer to the user manual for the wall mounting bracket.

USING THE MONITOR SET

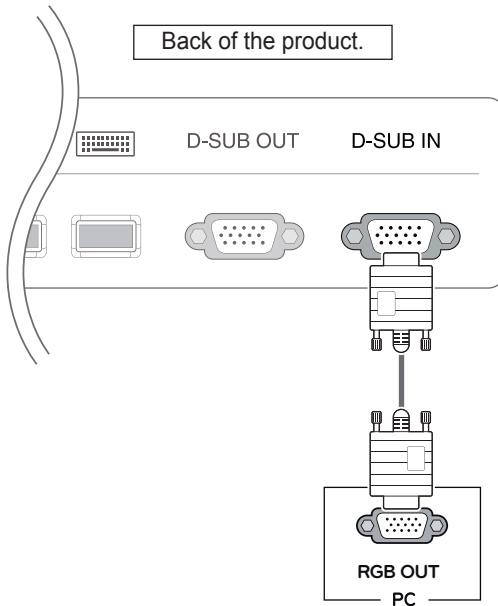
Using Primary Station

- This monitor supports the *Plug and Play feature.
*Plug and Play: A feature that allows you to add a device to your computer, without having to reconfigure anything or install any manual drivers.

D-SUB IN connection - PC

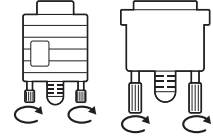
D-SUB IN transfers analog video signals from the PC to the monitor.

Connect the monitor to the PC using the provided 15-pin D-SUB signal cable as illustrated below.



CAUTION

- Connect the input signal cable and tighten in the direction of the arrow. To prevent disconnection secure the cable tightly.
- Do not press on the screen for a prolonged time. This may cause image distortion.
- Do not display a still image on the screen for a prolonged time. This may cause image retention. If possible, use the screen saver.



NOTE

- To connect the monitor to a computer, use the appropriate signal cable (D-SUB).
- A converter can be used to convert the DVI-I input signal to D-SUB input signal.
- When connecting the power cord to the outlet, use a grounded (3-hole) multi-socket or a grounded wall outlet.
- The monitor may flicker when turned on in an area of low temperature. This is normal.
- Sometimes red, green or blue spots may appear on the screen. This is normal.

CAUTION

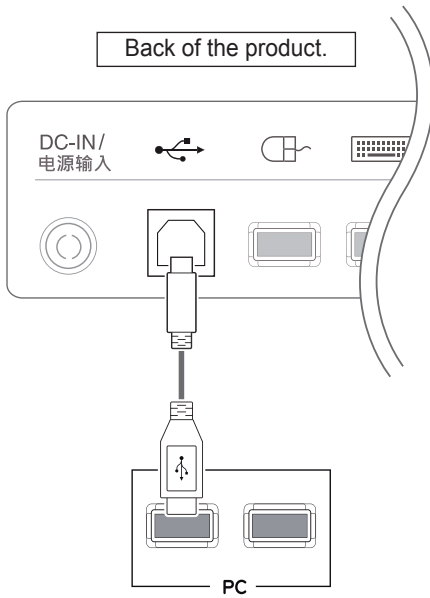
- The D-SUB OUT port is used to output the image signals inputted from the USB port. The D-SUB OUT port is not supported if the D-SUB IN port is being used.

Using Standard Stations

USB cable connection - PC

D-SUB IN transfers analog video signals from the PC to the monitor.

Connect the monitor to the PC using the provided 15-pin D-SUB signal cable as illustrated below.



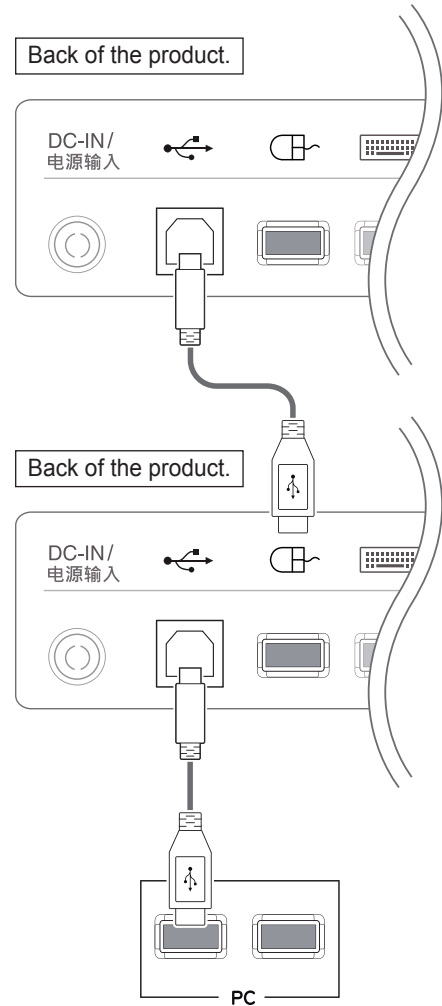
NOTE

- If the USB cable provided is not long enough, you may need to purchase an additional extension cable. (maximum length 5 m)

USB cable connection to Daisy Chain

D-SUB IN transfers analog video signals from the PC to the monitor.

Connect the monitor to the PC using the provided 15-pin D-SUB signal cable as illustrated below.



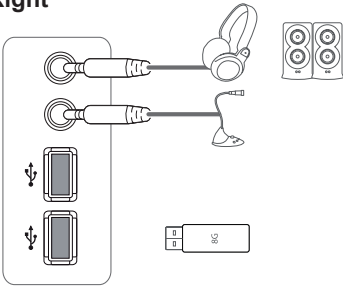
NOTE

- Up to 2 monitors can be connected by daisy-chaining, as shown above.
- When using a daisy chain, connect the mouse to the USB port on the left at the back of the monitor.

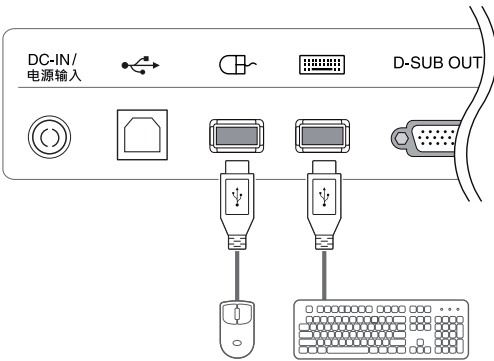
Peripheral device connection

Connect peripheral devices to the monitor using USB, headphone, speaker, and microphone ports.

Right



Bottom



CAUTION

- If a PS2 keyboard and mouse are connected to the PC audio device in a multi-computing environment (normal mode), the sound output will be supported through the analog port. If a USB keyboard and mouse are connected, the sound output will be supported through the USB headphones. If using a PC without a PS2 keyboard/mouse input port, please use a USB audio (headphones) for sound output.

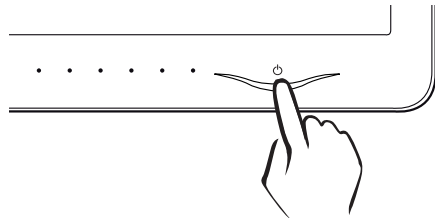
NOTE

- Peripheral devices are sold separately.
- The USB ports on the bottom of the monitor can be used to connect the keyboard, mouse, and other USB devices. But, USB ports on the right of the monitor can't be used to connect the keyboard.
- Headphones, speakers or microphone may not work normally, depending on the server PC settings.
- Virtual solutions may affect the functions or speed of the specific USB storage device.

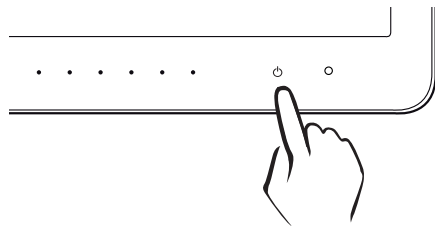
Self Image Adjustment

Press the power button on the front to turn on the monitor. When powered on, the **"Self Image Adjustment"** function will run automatically (only available for analog [D-SUB input] signals).

N195WU



N225WU



NOTE

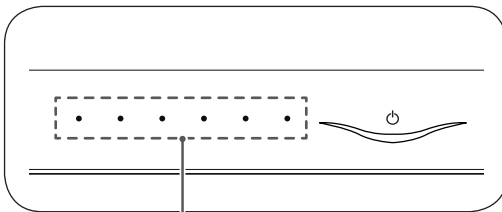
- What is "Self Image Adjustment"? This function runs when the monitor is connected for the first time and performs automatic image adjustment for each signal (only available for analog [D-SUB input] signals) to provide an optimal screen display.

CUSTOMIZING SETTINGS

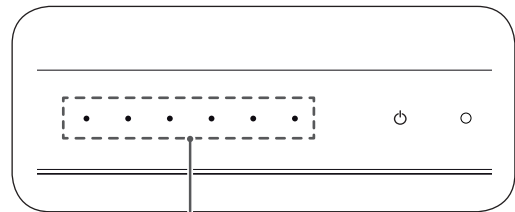
Accessing The Main Menus

- 1 Press any button on the front of the monitor to display the MONITOR SETUP OSD menu.
- 2 Press to select the desired menu item.
- 3 To change the settings of the selected item press the buttons on the front of the monitor.
To return to the upper menu or set other menu items, use the up arrow (↑) button.
- 4 Select **EXIT** to leave the OSD menu.

N195WU



N225WU

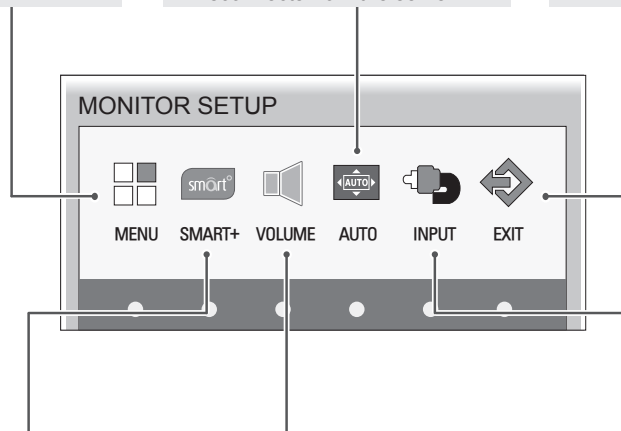


Front Side Buttons

MENU (See p.17)
Sets the screen options.

AUTO (See p.24)
Optimizes the resolution.
/ Disconnects from the server.

EXIT (See p.6)
Exits the OSD menu.



SMART+ (Only N195WU model)
(See p.22)
Sets the Auto Bright ,Original Ratio.

VOLUME (See p.20)
Sets the volume.

INPUT (See p.6)
Sets the external input.

! NOTE

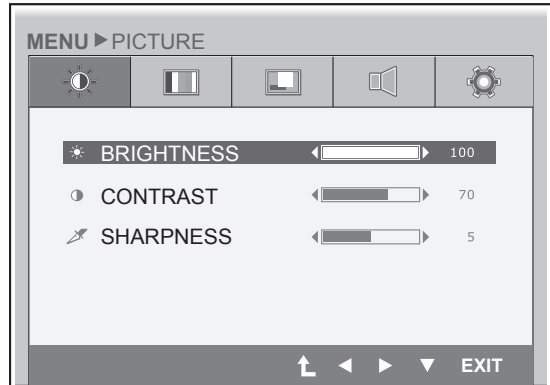
Different menu items are enabled depending on the type of input signal.

- **D-SUB Input:** MENU, SMART+, AUTO, INPUT, EXIT
- **USB Input:** MENU, SMART+, VOLUME, INPUT, EXIT
- The language of the monitor's OSD menu and that of the OSD menu illustrated in the CD-ROM manual may be different.

MENU Settings

Picture

- 1 Press any button on the front of the monitor to display the **MONITOR SETUP** OSD menu.
- 2 Press the **MENU** button to display the options in the OSD menu.
- 3 Set the options by pressing the buttons on the front of the monitor.
- 4 Select **EXIT** to leave the OSD menu.
To return to the upper menu or set other menu items, use the up arrow (↑) button.



Each option is explained below.

Menu	Analog (D-SUB)	USB	Description
BRIGHTNESS	o	o	Sets the brightness of the screen.
CONTRAST	o	o	Sets the contrast of the screen.
SHARPNESS	o	o	Sets the sharpness of the screen.

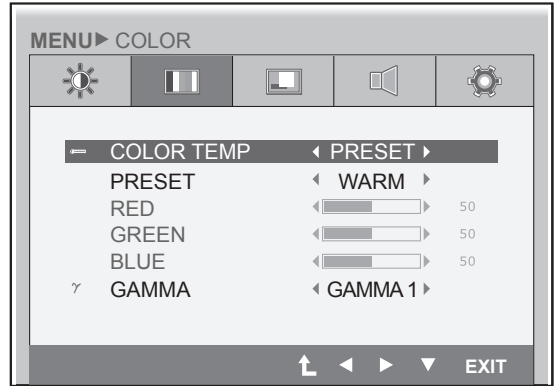
- **Analog: D-SUB (analog signal) input. USB: Internal signal through the USB.**

! NOTE

- If the screen is not displayed properly after adjusting the settings, use the "FACTORY RESET" option to revert back to the factory default settings. If necessary, enable the "WHITE BALANCE" option again. This option is enabled only for analog (D-SUB) signals.

Color

- 1 Press any button on the front of the monitor to display the **MONITOR SETUP** OSD menu.
- 2 Press the **MENU** button to display the options in the OSD menu.
- 3 Set the options by pressing the buttons on the front of the monitor.
- 4 Select **EXIT** to leave the OSD menu.
To return to the upper menu or set other menu items, use the up arrow (↑) button.



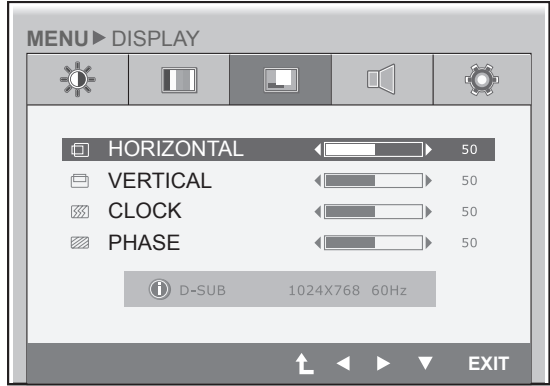
Each option is explained below.

Menu	Analog (D-SUB)	USB	Description	
COLOR TEMP	o	o	Allows PRESET or USER to be selected.	
PRESET	o	o	WARM	Sets the screen color to a reddish tone.
			MEDIUM	Sets the screen color between the reddish and bluish tone.
			COOL	Sets the screen color to a bluish tone.
USER	o	o	You can customize the picture color using Red, Green, and Blue colors.	
GAMMA	o	o	Sets the clarity of the screen. The gamma value can be set to 0, 1 or 2, from darker to brighter screen colors respectively.	

- **Analog: D-SUB (analog signal) input. USB: Internal signal through the USB.**

Display

- 1 Press any button on the front of the monitor to display the **MONITOR SETUP** OSD menu.
- 2 Press the **MENU** button to display the options in the OSD menu.
- 3 Set the options by pressing the buttons on the front of the monitor.
- 4 Select **EXIT** to leave the OSD menu.
To return to the upper menu or set other menu items, use the up arrow (↑) button.



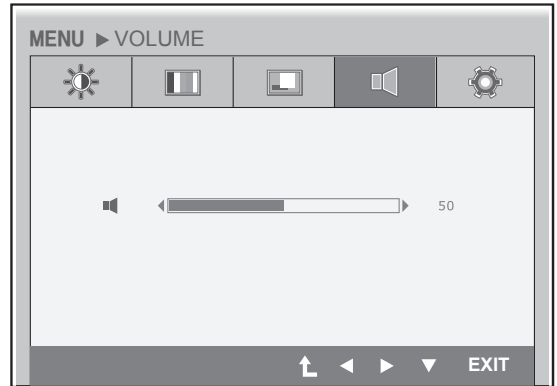
Each option is explained below.

Menu	Analog (D-SUB)	USB	Description
HORIZONTAL	o	x	Moves the display area left or right.
VERTICAL	o	x	Moves the display area up or down.
CLOCK	o	x	If vertical lines are shown on the screen, adjust the frequency to minimize the lines and adjust the screen's horizontal width.
PHASE	o	x	Adjusts the focus of the screen's image. Use when frequencies are shown on the screen or when the text appears overlapped. For optimal results, use this option after adjusting the " CLOCK " option.

- **Analog:** D-SUB (analog signal) input. **USB:** Internal signal through the USB.

Volume

- 1 Press any button on the front of the monitor to display the **MONITOR SETUP** OSD menu.
- 2 Press the **MENU** button to display the options in the OSD menu.
- 3 Set the options by pressing the buttons on the front of the monitor.
- 4 Select **EXIT** to leave the OSD menu.
To return to the upper menu or set other menu items, use the up arrow (↑) button.



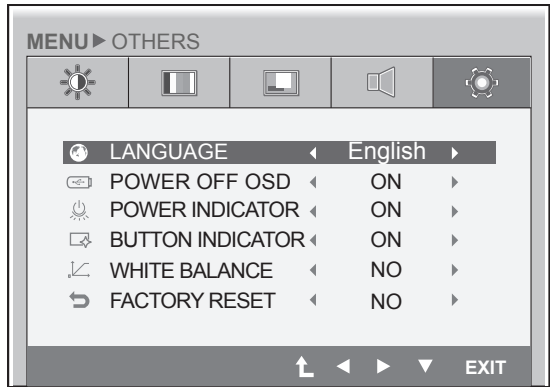
Each option is explained below.

Menu	Analog (D-SUB)	USB	Description
VOLUME	x	o	To adjust the volume of headphone/Speaker. (Only for USB input)

- **Analog: D-SUB (analog signal) input. USB: Internal signal through the USB.**

Others

- 1 Press any button on the front of the monitor to display the **MONITOR SETUP** OSD menu.
- 2 Press the **MENU** button to display the options in the OSD menu.
- 3 Set the options by pressing the buttons on the front of the monitor.
- 4 Select **EXIT** to leave the OSD menu.
To return to the upper menu or set other menu items, use the up arrow (↑) button.



Each option is explained below.

Menu	Analog (D-SUB)	USB	Description
LANGUAGE	o	o	Sets the menu screen to the desired language.
POWER OFF OSD	x	o	Enables or disables the power off message when turning power off. If it is set to "Off", the power off message is not displayed while maintaining client connection. If it is set to "On", the power off message is displayed. (See p.6)
POWER INDICATOR	o	o	Use this function to set the power indicator on the front side of the monitor to ON or OFF. If you set OFF, it will be turned off. If you set ON at any time, the power indicator will automatically be turned on.
BUTTON INDICATOR	o	o	Use this function to set the control key indicator on the front side of the monitor to ON or OFF. If you set OFF, it will be turned off. If you set ON, it will be turned on.
WHITE BALANCE	o	x	If the video card output is different from the specified level, the color may appear to have altered due to the video signal distortion. The white balance adjusts the output signal level to correspond to that of the standard signal, thus providing optimal display. Run this option when the screen displays an image with both white and black.
FACTORY RESET	o	o	Resets the screen to the factory default settings. Note that the language option will not be reset.

- Analog: D-SUB (analog signal) input. USB: Internal signal through the USB.

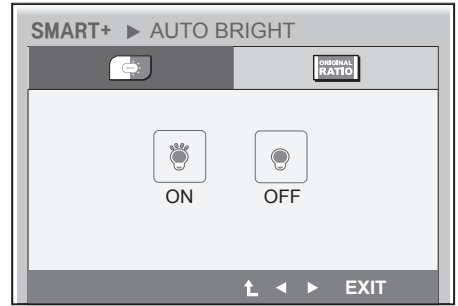
! NOTE

- When connecting monitors in a daisy chain, select "Off" for the "Power Off OSD" option.

SMART+ Settings (Only N195WU model)

Auto Bright

- 1 Press any button on the front of the monitor to display the **MONITOR SETUP** OSD menu.
- 2 Press the **SMART+** button to display the options in the OSD menu.
- 3 Set the options by pressing the buttons on the front of the monitor.
- 4 Select **EXIT** to leave the OSD menu.
To return to the upper menu or set other menu items, use the up arrow (↑) button.



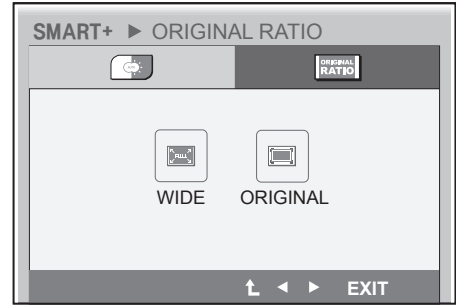
Each option is explained below.

Menu	Analog (D-SUB)	USB	Description
ON	○	○	If select on, it automatically controls the brightness of display to best suit the surrounding working environment, providing the optimal viewing condition and maximized user convenience.
OFF	○	○	If select off, auto brightness is off.

- **Analog:** D-SUB (analog signal) input. **USB:** Internal signal through the USB.

Original Ratio

- 1 Press any button on the front of the monitor to display the **MONITOR SETUP** OSD menu.
- 2 Press the **SMART+** button to display the options in the OSD menu.
- 3 Set the options by pressing the buttons on the front of the monitor.
- 4 Select **EXIT** to leave the OSD menu.
To return to the upper menu or set other menu items, use the up arrow (↑) button.



Each option is explained below.

Menu	Analog (D-SUB)	USB	Description
WIDE	○	○	Switch to full screen mode according to input image signal.
ORIGINAL	○	○	Change the input image signal ratio to original. This function works only if input resolution is lower than Monitor set ratio (16:9).

- **Analog: D-SUB (analog signal) input. USB: Internal signal through the USB.**

AUTO Settings : D-SUB Input

- 1 Press any button on the front of the monitor to display the **MONITOR SETUP** OSD menu.
- 2 Press the **AUTO** button to automatically adjust the screen.
- 3 Select **EXIT** to leave the OSD menu.
To return to the upper menu or set other menu items, use the up arrow (↑) button.

N195WU

PROCESSING AUTO IMAGE ADJUSTMENT
FOR OPTIMAL DISPLAY
CHANGE RESOLUTION TO 1366 x 768

N225WU

PROCESSING AUTO IMAGE ADJUSTMENT
FOR OPTIMAL DISPLAY
CHANGE RESOLUTION TO 1920 x 1080

Pressing the AUTO button allows the monitor to automatically optimize the screen to the current display mode.

If you are not satisfied with the optimized screen, you can manually adjust the position of the display area, frequency, phase and sharpness in the OSD menu.

(Only available for D-SUB [analog] signals. Note that the sharpness setting is only available for digital signals.)

! NOTE

- What is "Auto Image Adjustment"? The Auto Image Adjustment option allows you to improve the picture quality if the screen is dimmed, if the text appears blurred or spread, if the screen flickers or if the display area is not centered after adjusting the resolution. (Only available for D-SUB [analog] signals.)

TROUBLESHOOTING

Nothing is displayed on the screen	
Is the monitor's power cord plugged in?	<ul style="list-style-type: none"> • Check if the power cord is correctly plugged in to the outlet.
Is the power indicator on?	<ul style="list-style-type: none"> • Check the power indicator.
Is the power indicator displaying as purple?	<ul style="list-style-type: none"> • Adjust the brightness and the contrast.
Is the power indicator blinking?	<ul style="list-style-type: none"> • If the monitor is in power saving mode, move the mouse or press any key on the keyboard to switch the display on. • Check if the computer is turned on.
Is the "OUT OF RANGE" message displayed?	<ul style="list-style-type: none"> • This occurs when signals transferred from the PC (video card) are out of the horizontal or vertical frequency range of the monitor. Please see the "Product Specification" section of this manual to set the appropriate frequency.
Is the "CHECK SIGNAL CABLE" message is displayed?	<ul style="list-style-type: none"> • This is displayed when the signal cable between the PC and the monitor is missing or disconnected. Check the cable and reconnect.

The "OSD LOCKED" message is displayed.	
Is the "OSD LOCKED" message displayed when the MENU button is pressed?	<ul style="list-style-type: none"> • The OSD lock feature is enabled to prevent undesired modification of the OSD settings. Press and hold the MENU button for a couple of seconds to unlock the OSD. (The "OSD UNLOCKED" message will be displayed.)

The screen retains an image.	
Does image sticking occur even when the monitor is turned off?	<ul style="list-style-type: none"> • Displaying a still image for a prolonged time may cause damage to the screen, resulting in the retention of the image. • Use a screen saver to protect the screen when using the monitor for a prolonged period of time.

 **NOTE**

- **Vertical Frequency:** In order to display an image, the screen must be refreshed dozens of times per second like a fluorescent lamp. The number of times the screen is refreshed per second is called vertical frequency or refresh rate and is represented by Hz.
- **Horizontal Frequency:** The time it takes to display one horizontal line is called the horizontal cycle. The number of horizontal lines displayed in one second can be calculated by dividing one by the horizontal cycle. This is called horizontal frequency and is represented by kHz.

The image is displayed abnormally.	
Does the display area appear uncentered?	Pressing the AUTO button will automatically optimize the screen to the current display mode. If you are not satisfied with the optimized screen, you can manually adjust the POSITION option in the OSD menu.
Does the screen exhibit vertical lines?	Pressing the AUTO button will automatically optimize the screen to the current display mode. If you are not satisfied with the optimized screen, you can manually adjust the FREQUENCY option in the OSD menu.
Does the screen display horizontal frequencies, or does the text appear blurred?	Pressing the AUTO button will automatically optimize the screen to the current display mode. If you are not satisfied with the optimized screen, you can manually adjust the PHASE option in the OSD menu.

 **NOTE**

- Check if the video card's resolution or frequency is within the range allowed by the monitor and set to the recommended (optimal) resolution in **Control Panel > Display > Settings**.
- Failing to set the video card to the recommended (optimal) resolution may result in blurred text, a dimmed screen, a truncated display area or misalignment of the display.
- The configuration procedure may differ depending on your computer and/or operating system. Also, some video cards may not support certain resolutions. If this is the case, contact the computer or video card manufacturer for assistance.
- The AUTO option is only available for D-SUB (analog) signals.
- The recommended monitor resolution (optimized resolution) of the WMS 2011 operating system is usually 1364 x 768, but the actual monitor resolution is 1366 x 768. This is not a monitor malfunction; it occurs due to the characteristics of the operating system. (Only N195WU model)

The display color is abnormal.	
Does the display color appear discolored (16 color)?	• Set the color to 24 bit (true color) or higher. In Windows, go to Control Panel > Display > Settings > Color Quality.
Does the display color appear unstable or in monochrome?	• Check if the signal cable is connected properly. Re-connect the cable or re-insert the PC's video card.
Are there spots on the screen?	• When using the monitor, pixilated spots (red, green, blue, white or black) may appear on the screen. This is normal for the LCD screen. It is not an error nor is it related to the monitor's performance.

PRODUCT SPECIFICATION

N195WU

LCD Screen	Type	470.1 mm (18.51 inch) TFT (Thin Film Transistor) LCD (Liquid Crystal Display) Screen Diagonal length of the screen: 470.1 mm
	Pixel Pitch	0.30 mm x 0.30 mm
Resolution	Maximum Resolution	1366 x 768 @ 60 Hz
	Recommended Resolution	1366 x 768 @ 60 Hz
Video Signal	Horizontal Frequency	30 kHz to 66 kHz
	Vertical Frequency	57 Hz to 63 Hz
	Synchronization	Separate Sync / USB
Input Connector	15-pin D-SUB (Analog), USB	
Power	19 V --- 1.7 A	
	Power Consumption	On Mode: 22 W (Typical) Power Saving Mode ≤ 1 W / 7 W Off Mode ≤ 1 W
AC/DC Adapter	Manufacturer : LITE-ON, Model PA-1650-68 Input: AC 100-240 V Output: DC 19 V	
Dimension	Monitor Size (Width x Height x Depth)	
	457.9 mm x 369.5 mm x 197.9 mm	
Weight (Without Packaging)	2.6 kg	
Stand Angle Adjustment	Forwards/Backwards: -5° to 15°	
Environment Condition	Operating Condition	Temperature: 10°C to 35°C; Humidity: 10% to 80%
	Storing Condition	Temperature: -20°C to 60°C; Humidity: 5% to 90%

The specifications are subject to change without notice.

N225WU

LCD Screen	Type	546.8 mm (21.53 inch) TFT (Thin Film Transistor) LCD (Liquid Crystal Display) Screen Diagonal length of the screen: 546.8 mm
	Pixel Pitch	0.248 mm x 0.248 mm
Resolution	Maximum Resolution	1920 x 1080 @ 60 Hz
	Recommended Resolution	1920 x 1080 @ 60 Hz
Video Signal	Horizontal Frequency	30 kHz to 68 kHz
	Vertical Frequency	57 Hz to 63 Hz
	Synchronization	Separate Sync / USB
Input Connector	15-pin D-SUB (Analog), USB	
Power	19 V --- 1.7 A	
	Power Consumption	On Mode: 28 W (Typical) Power Saving Mode ≤ 1 W / 7 W Off Mode ≤ 1 W
AC/DC Adapter	Manufacturer : LITE-ON, Model PA-1650-68 Input: AC 100-240 V Output: DC 19 V	
Dimension	Monitor Size (Width x Height x Depth)	
	524.6 mm x 406.9 mm x 198 mm	
Weight (Without Packaging)	3.1 kg	
Stand Angle Adjustment	Forwards/Backwards: -5° to 15°	
Environment Condition	Operating Condition	Temperature: 10°C to 35°C; Humidity: 10% to 80%
	Storing Condition	Temperature: -20°C to 60°C; Humidity: 5% to 90%

The specifications are subject to change without notice.

Preset Mode

N195WU

Preset Mode	Horizontal Frequency (kHz)	Vertical Frequency (Hz)	Polarity (H/V)	Remark
720 x 400	31.468	70	-/+	
640 x 480	31.469	60	-/-	
800 x 600	37.879	60	+/+	
1024 x 768	48.363	60	-/-	
1360 x 768	47.712	60	+/+	
1366 x 768	47.712	60	+/+	

N225WU

Preset Mode	Horizontal Frequency (kHz)	Vertical Frequency (Hz)	Polarity (H/V)	Remark
720 x 400	31.468	70	-/+	
640 x 480	31.469	60	-/-	
800 x 600	37.879	60	+/+	
1024 x 768	48.363	60	-/-	
1360 x 768	47.712	60	+/+	
1366 x 768	47.712	60	+/+	
1680 x 1050	64.674	60	-/-	
1680 x 1050	65.290	60	-/+	
1920 x 1080	67.500	60	+/+	

Power Indicator

N195WU

Mode	LED Color
On Mode	Purple
Power Saving	Flashing Purple
Off Mode	Off

N225WU

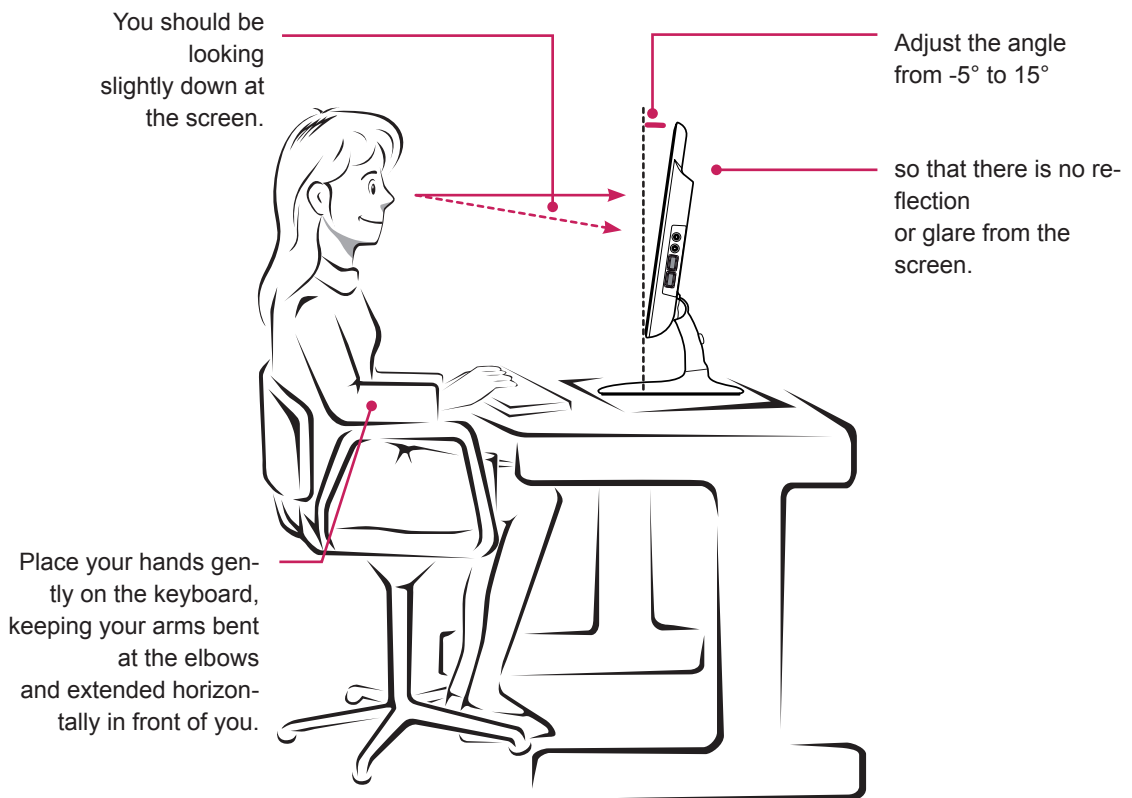
Mode	LED Color
On Mode	Blue
Power Saving	Flashing Blue
Off Mode	Off

PROPER POSTURE

Proper posture for using the monitor

Adjust the angle so that the screen is slightly lower than your eyes.

- Using the monitor for a prolonged period of time can cause eye fatigue. Take a 10-minute break every hour.
- The stand is designed to best support the monitor when the optimal conditions are selected. Adjust the angle of the monitor from -5° to 15° to obtain the best view of the screen.





Make sure to read the Safety Precautions before using the product.
Keep the Owner's Manual(CD) in an accessible place for future reference.
The model and serial number of the SET is located on the back and one side of the SET. Record it below should you ever need service.

MODEL _____

SERIAL _____

ENERGY STAR is a set of power-saving guidelines issued by the U.S. Environmental Protection Agency(EPA).



As an ENERGY STAR Partner LGE U. S. A.,Inc. has determined that this product meets the ENERGY STAR guidelines for energy efficiency.