

DS-2CD2T46G1-4I

4 MP Outdoor AcuSense Fixed Bullet Camera



- 1/2.7" (4 MP) Progressive Scan CMOS
- 2688 × 1520 Resolution @ 30 fps
- EXIR 2.0 Range Up to 260 ft (80 m)
- 2.8 mm, 4 mm, 6 mm, and 8 mm Fixed Lens Options
- H.265+, H.265, H.264+, H.264
- 120dB True WDR
- MicroSD Card Slot Supports 128 GB
- IP67 Protection
- Durable Metal Housing
- 12 VDC and PoE (802.3at)

The Hikvision DS-2CD2T46G1-4I Outdoor AcuSense Fixed Bullet Camera provides high definition network output. It supports H.265+ video compression, which assures savings in bandwidth and storage.

The camera is equipped 2.8 mm, 4 mm, 6 mm, and 8 mm fixed lens options, and offers an IR range of up to 260 ft (80 m).

Smart features, such as line crossing and intrusion detection are supported. False alarm reduction by human and vehicle target classification based on a deep-learning algorithm is a key feature of this product line.

Available models:
DS-2CD2T46G1-4I



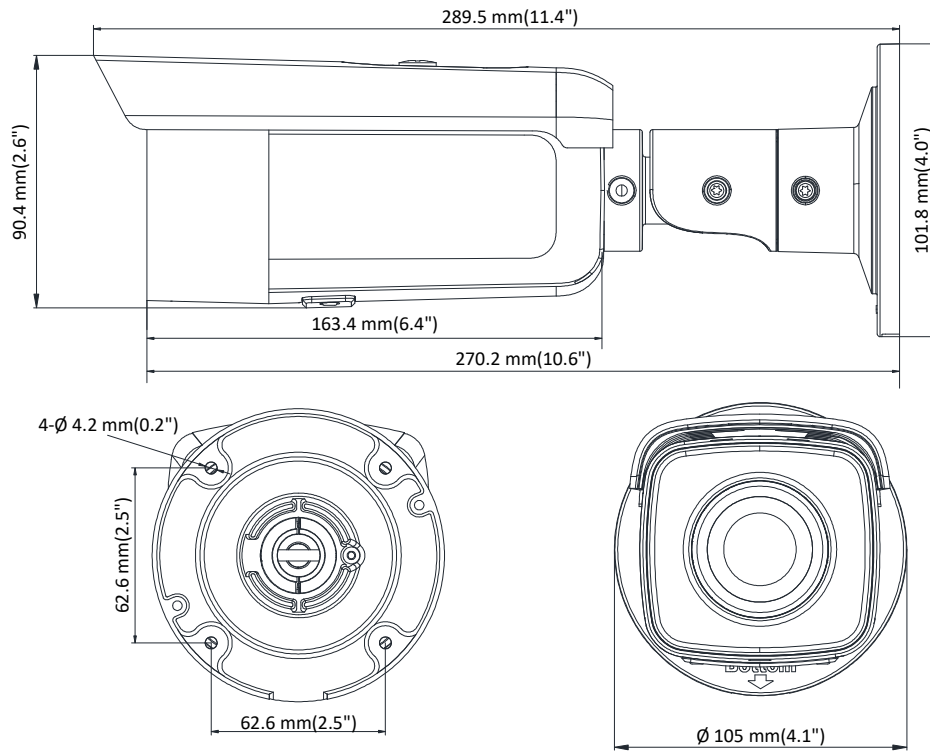
Specifications

DS-2CD2T46G1-4I	
Camera	
Image Sensor	1/2.7" Progressive Scan CMOS
Minimum Illumination	0.012 lux @ (f/1.6, AGC on)
Shutter Speed	1/3 s to 1/100,000 s
Slow Shutter	Yes
Focal length	2.8 mm, 4 mm, 6 mm, and 8 mm
Focus	Fixed
Aperture	f/1.6
FOV	2.8 mm, horizontal FOV: 104°, vertical FOV: 58°, diagonal FOV: 124° 4 mm, horizontal FOV: 83°, vertical FOV: 44°, diagonal FOV: 99° 6 mm, horizontal FOV: 51°, vertical FOV: 28°, diagonal FOV: 58° 8 mm, horizontal FOV: 39°, vertical FOV: 21°, diagonal FOV: 45°
Lens Mount	M12
Auto-Iris	No
Day/Night	IR cut filter
DNR	3D DNR
Wide Dynamic Range	120dB
Three-Axis Adjustment	Pan: 0° to 360°, tilt: 0° to 90°, rotate: 0° to 360°
IR	
IR Range	Up to 260 ft (80 m)
Wavelength	850 nm
Compression Standard	
Video Compression	Main stream: H.265+/H.265/H.264+/H.264, sub-stream: H.265+/H.265/H.264+/H.264/MJPEG
H.264 Type	Main profile/high profile
H.264+	Main stream supported
H.265 Type	Main profile
H.265+	Main stream supported
Video Bit Rate	32 Kbps to 16 Mbps
Smart Features	
Behavior Analysis	Line crossing detection, intrusion detection, region entrance detection, region exit detection, and false alarm reduction by human and vehicle target classification based on deep-learning algorithm. NOTE: Some Smart VCA functions (line crossing detection, intrusion detection, region entrance/exiting detection) are not supported when H.265+, third stream, or motion detection is enabled.
Image	
Maximum Resolution	2688 × 1520
Main Stream	30 fps (2688 × 1520, 1920 × 1080, 1280 × 720)
Sub Stream	30 fps (704 × 576, 640 × 480, 352 × 288)
Image Enhancement	BLC/3D DNR
Image Setting	Saturation, brightness, contrast, sharpness, AGC, and white balance adjustable by client software or web browser
Region of Interest	Supports one fixed region for main stream and sub stream separately
Day/Night Switching	Day/night/auto/schedule
Network	
Network Storage	MicroSD/SDHC/SDXC card (128 GB), local storage and NAS (NFS,SMB/CIFS), ANR
Alarm Trigger	Tampering alarm, network disconnected, IP address conflict, illegal login, HDD full, HDD error
Protocols	TCP/IP, ICMP, HTTP, HTTPS, FTP, DHCP, DNS, DDNS, RTP, RTSP, RTCP, PPPoE, NTP, UPnP, SMTP, SNMP, IGMP, 802.1X, QoS, IPv6, UDP, Bonjour
General Function	One-key reset, anti-flicker
API	ONVIF (PROFILE S, PROFILE G), ISAPI
Simultaneous Live View	Up to 6 channels
User/Host	Up to 32 users. 3 user levels: administrator, operator and user
Client	iVMS-4200, Hik-Connect
Web Browser	IE 8+, Chrome 31.0-44, Firefox 30.0-51, Safari 8.0+
Interface	
Communication Interface	One RJ45 10M/100M self-adaptive Ethernet port
On-Board Storage	Built-in microSD/SDHC/SDXC slot, up to 128 GB
SVC	H.264 and H.265 encoding
Reset Button	Yes
General	
Operating Conditions	-22° F to 122° F (-30° C to 50° C); humidity 95% or less (non-condensing)
Power Supply	12 VDC ± 25%, Ø 5.5 mm coaxial power plug, PoE (802.3at, class 4)
Power Consumption and Current	12 VDC, 1.2 A, maximum 14 W, PoE (802.3at, 42.5 V to 57 V), 0.4 A to 0.2 A, maximum 17 W
Protection Level	IP67
Material	Metal
Dimensions	Ø 4.1" x 11.4" (Ø 105 mm x 289.5 mm)
Weight	2.4 lbs (1.1 kg)

Accessories

		
PM Pole Mount	CB130 Conduit Base	CM Corner Mount

Dimensions



Units: mm (inch)