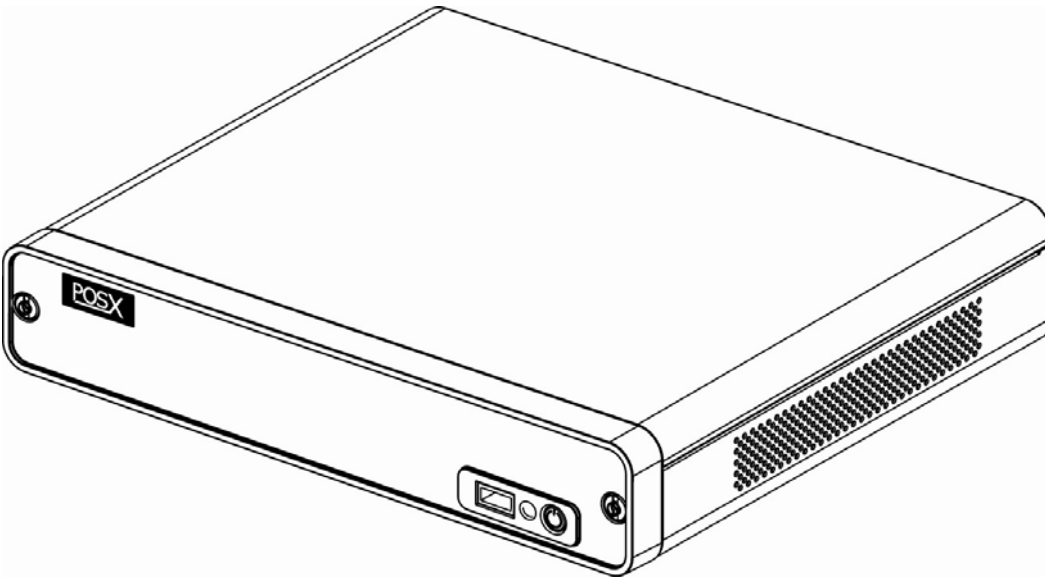


User Manual

Version 1.3 March 2017

EVO-PC4 Retail Box



The information contained in this document is subject to change without notice.

We make no warranty of any kind with regard to this material, including, but not limited to, the implied warranties of merchantability and fitness for a particular purpose. We shall not be liable for errors contained herein or for incidental or consequential damages in connection with the furnishing, performance, or use of this material.

This document contains proprietary information that is protected by copyright. All rights are reserved. No part of this document may be photocopied, reproduced or translated to another language without the prior written consent of the manufacturer.

TRADEMARK

Intel®, Pentium® and MMX are registered trademarks of Intel® Corporation. Microsoft® and Windows® are registered trademarks of Microsoft Corporation.

Other trademarks mentioned herein are the property of their respective owners.

Safety

IMPORTANT SAFETY INSTRUCTIONS

1. To disconnect the machine from the electrical Power Supply, turn off the power switch and remove the power cord plug from the wall socket. The wall socket must be easily accessible and in close proximity to the machine.
2. Read these instructions carefully. Save these instructions for future reference.
3. Follow all warnings and instructions marked on the product.
4. Do not use this product near water.
5. Do not place this product on an unstable cart, stand, or table. The product may fall, causing serious damage to the product.
6. Slots and openings in the cabinet and the back or bottom are provided for ventilation; to ensure reliable operation of the product and to protect it from overheating. These openings must not be blocked or covered. The openings should never be blocked by placing the product on a bed, sofa, rug, or other similar surface. This product should never be placed near or over a radiator or heat register, or in a built-in installation unless proper ventilation is provided.
7. This product should be operated from the type of power indicated on the marking label. If you are not sure of the type of power available, consult your dealer or local power company.
8. Do not allow anything to rest on the power cord. Do not locate this product where persons will walk on the cord.
9. Never push objects of any kind into this product through cabinet slots as they may touch dangerous voltage points or short out parts that could result in a fire or electric shock. Never spill liquid of any kind on the product.

CE MARK



This device complies with the requirements of the EEC directive 2014/30/EU with regard to “Electromagnetic compatibility” and 2014/35/EU “Low Voltage Directive”

FCC

This device complies with part 15 of the FCC rules. Operation is subject to the following two conditions:

- (1) This device may not cause harmful interference.
- (2) This device must accept any interference received, including interference that may cause undesired operation

CAUTION ON LITHIUM BATTERIES

There is a danger of explosion if the battery is replaced incorrectly. Replace only with the same or equivalent type recommended by the manufacturer. Discard used batteries according to the manufacturer's instructions.



Battery Caution

Risk of explosion if battery is replaced by an incorrectly type.
Dispose of used battery according to the local disposal instructions.



Safety Caution

Note: To comply with IEC60950-1 Clause 2.5 (limited power sources, L.P.S) related legislation, peripherals shall be 4.7.3.2 "Materials for fire enclosure" compliant.

4.7.3.2 Materials for fire enclosures

For MOVABLE EQUIPMENT having a total mass not exceeding 18kg.the material of a FIRE ENCLOSURE, in the thinnest significant wall thickness used, shall be of V-1 CLASS MATERIAL or shall pass the test of Clause A.2.

For MOVABLE EQUIPMENT having a total mass exceeding 18kg and for all STATIONARY EQUIPMENT, the material of a FIRE ENCLOSURE, in the thinnest significant wall thickness used, shall be of 5VB CLASS MATERIAL or shall pass the test of Clause A.1

LEGISLATION AND WEEE SYMBOL

2012/19/EU Waste Electrical and Electronic Equipment Directive on the treatment, collection, recycling and disposal of electric and electronic devices and their components.



The crossed dustbin symbol on the device means that it should not be disposed of with other household wastes at the end of its working life. Instead, the device should be taken to the waste collection centers for activation of the treatment, collection, recycling and disposal procedure.

To prevent possible harm to the environment or human health from uncontrolled waste disposal, please separate this from other types of wastes and recycle it responsibly to promote the sustainable reuse of material resources.

Household users should contact either the retailer where they purchased this product, or their local government office, for details of where and how they can take this item for environmentally safe recycling.

Business users should contact their supplier and check the terms and conditions of the purchase contract.

This product should not be mixed with other commercial wastes for disposal.

Revision History

Changes to the original user manual are listed below:

Revision	Date	Description
V 1.0	November, 2011	● Initial release
V 1.1	April, 2012	● EVO-PC4-Pro Added
V1.2	May, 2013	● EVO-PC4-B removed ● EVO-PC4-D Added
V1.3	April, 2017	● EVO-PC4-F Added

Table of Contents

1	Item Checklist	3
1-1	Standard Items.....	3
1-2	Optional Items	4
2	System View.....	5
2-1	Front View	5
2-2	Side View	6
2-3	I/O View.....	7
3	System Assembly & Disassembly	10
3-1	Remove the Top Cover	10
3-2	Replace the HD	11
3-3	Remove the RAM Module	12
4	Peripheral Installation	13
4-1	Wall Mounting Kits Installation	13
5	Specification.....	14
6	Configuration.....	20
6-1	C56 Motherboard.....	20
6-2	C65 Motherboard.....	24
6-3	D36 Motherboard.....	26

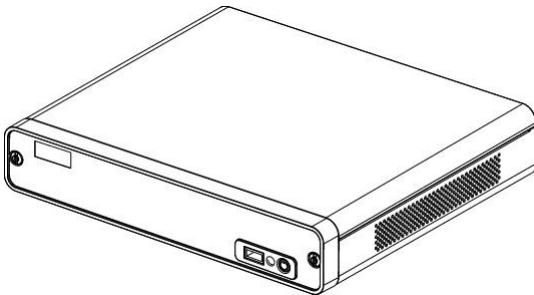
This page is intentionally left blank

1 Item Checklist

Take the unit out of the carton. Remove the unit from the carton by holding it by the foam inserts. The following contents should be found in the carton:

1-1 Standard Items

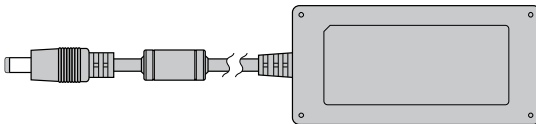
a.



b.



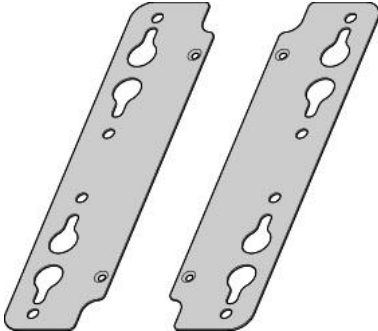
c.



- a. System
- b. COM cable (x1)
- c. Power adapter

1-2 Optional Items

a.

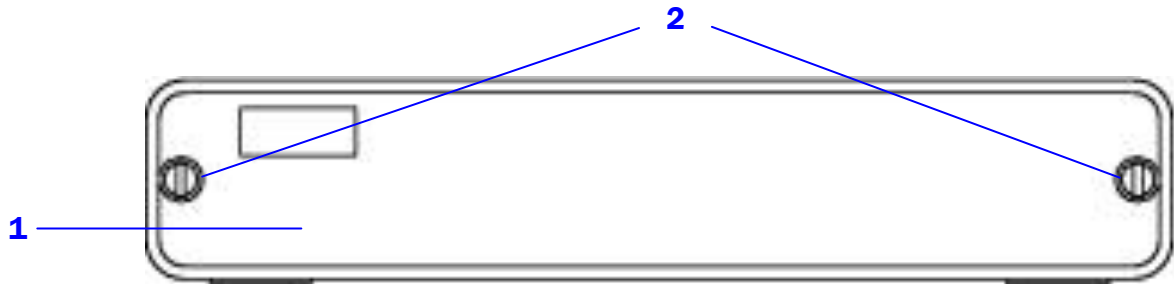


a. Wall Mount Kits (x2)

2 System View

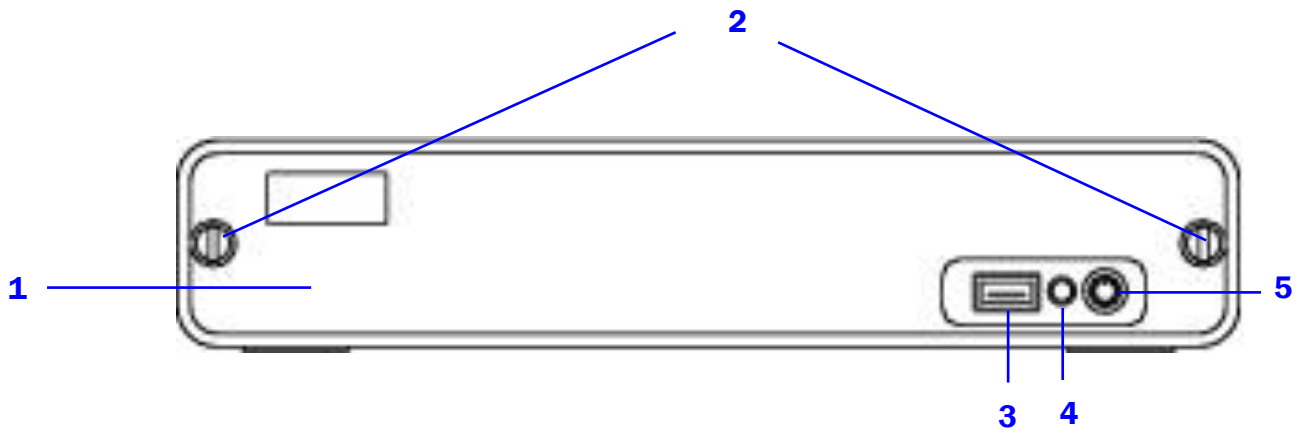
2-1 Front View

EVO-PC4-D/F



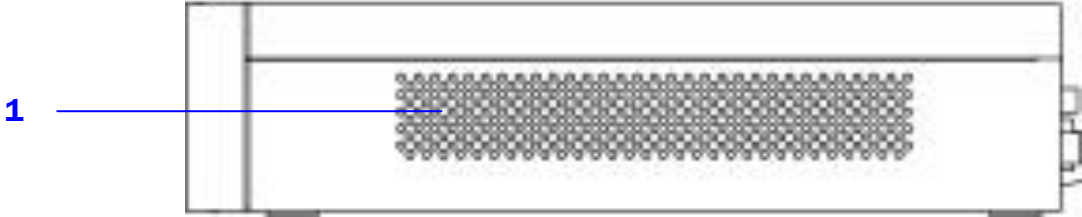
Number	Description
1	Front cover
2	Slotted screw

EVO-PC4-Pro



Number	Description
1	Front cover
2	Slotted screw
3	USB
4	Indicator LED (Green)
5	Power button

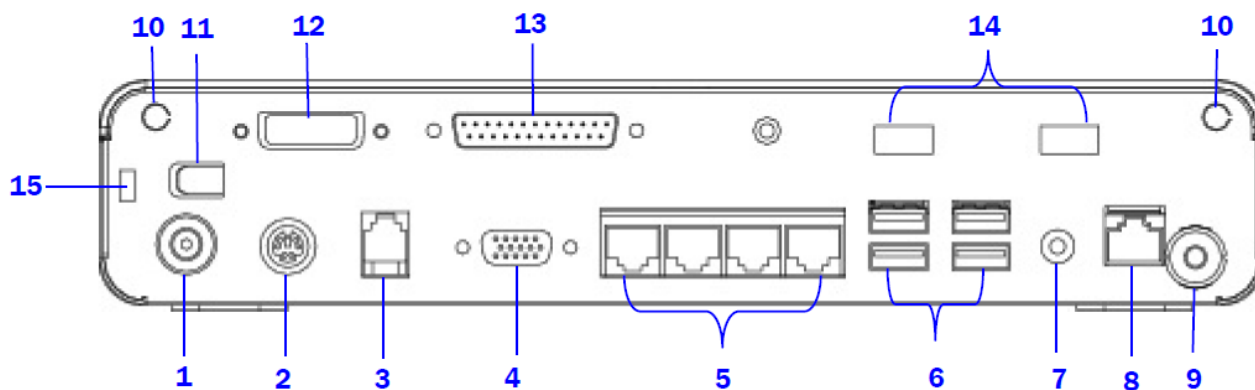
2-2 Side View



Number	Description
1	Ventilation hole

2-3 I/O View

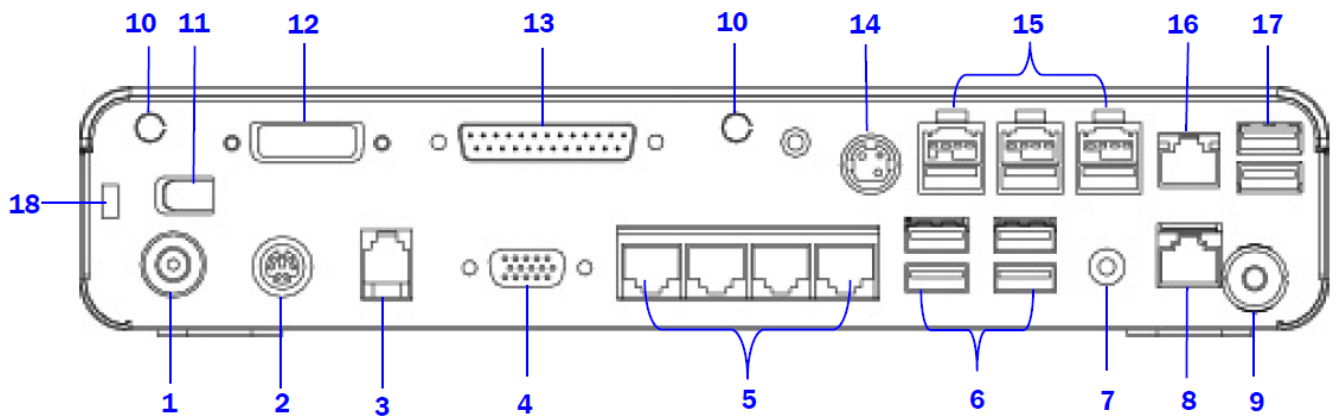
EVO-PC4-Pro



Number	Description
1	DC IN 19V
2	PS/2
3	Cash drawer port
4	VGA
5	COM1~4 (from left to right)
6	USB x 4
7	Line-out
8	LAN
9	Power button
10	Antenna hole
11	Cable clamp
12	DVI-D
13	Parallel
14	USB x 2
15	Kensington lock

Note: The maximum current that can be drawn from each COM port is 500 mA.

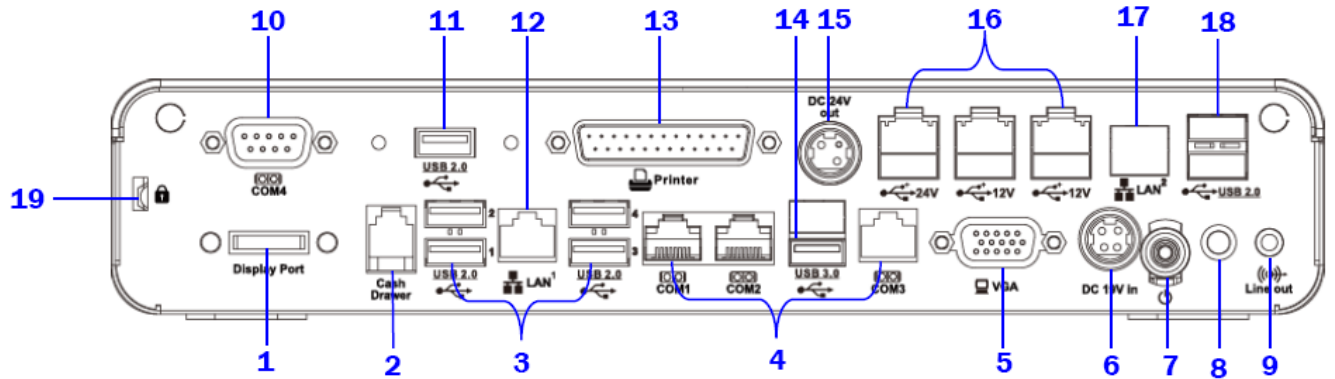
EVO-PC4U-Pro (with power USB)



Number	Description
1	DC IN 19V
2	PS/2
3	Cash drawer port
4	VGA
5	COM1~4 (from left to right)
6	USB x 4
7	Line-out
8	LAN
9	Power button
10	Antenna hole
11	Cable clamp
12	DVI-D
13	Parallel
14	DC OUT 24V
15	Power USB x 3
16	LAN
17	USB x 2
18	Kensington lock

Note: The maximum current that can be drawn from each COM port is 500 mA.

EVO-PC4-F

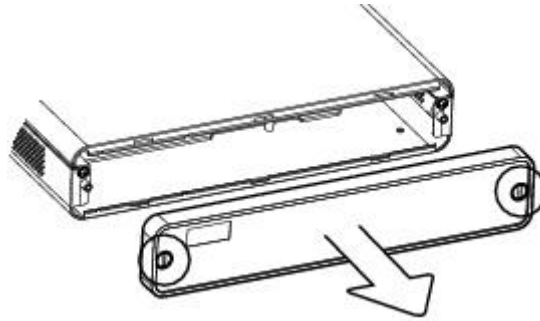


Number	Description
1	Display port
2	Cash drawer port
3	USB 2.0 x 4
4	COM1~3 (from left to right)
5	VGA
6	DC IN 19V
7	Power button
8	Indicator LED (Green)
9	Line-out
10	COM4
11	USB 2.0 x 1
12	LAN
13	Parallel
14	USB 3.0 x 1
15	DC OUT 24V (Optional)
16	Power USB x 3 (Optional)
17	LAN
18	USB2.0 x 2 (Optional)
19	Kensington lock

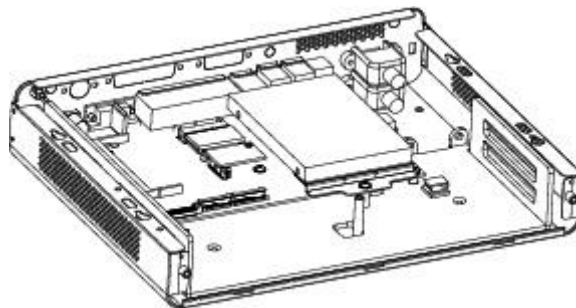
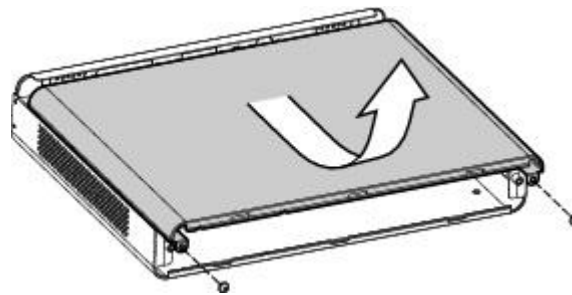
Note: The maximum current that can be drawn from each COM port is 500 mA.

3 System Assembly & Disassembly

3-1 Remove the Top Cover



1. Remove the screws (x2) to release the front cover.

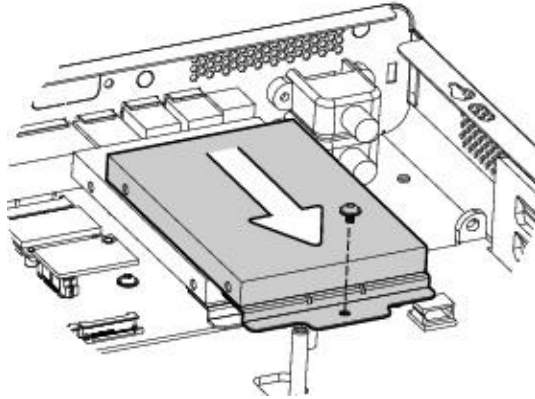


2. Remove the screws (x2).
3. Slide the top cover outwards.

3-2 Replace the HD

EVO-PC4D/F

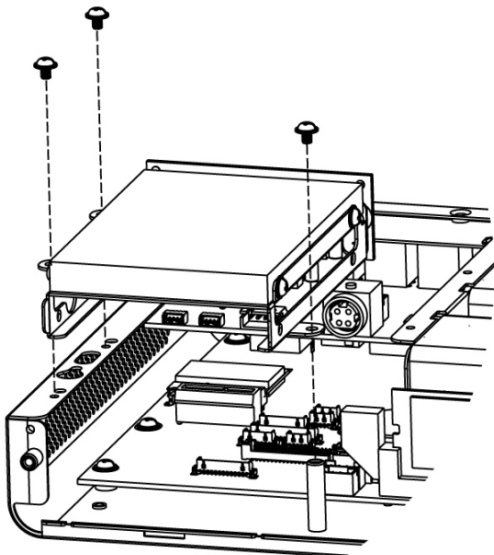
To replace the HD, please remove the top cover as described in Chapter 3-1



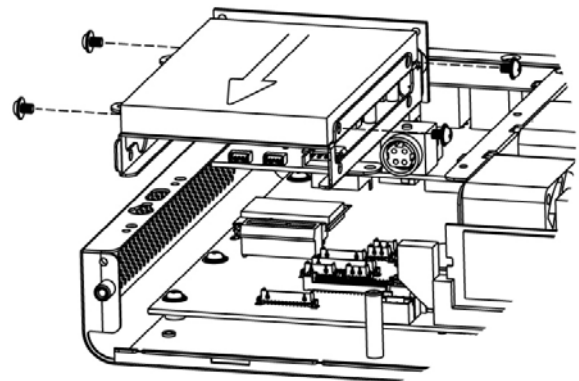
1. Remove the screw (x1).
2. Pull the HD away from the system.

EVO-PC4-Pro

To replace the HD, please remove the top cover as described in Chapter 3-1



1. Remove the screws (x3) to separate the HD module from the system.

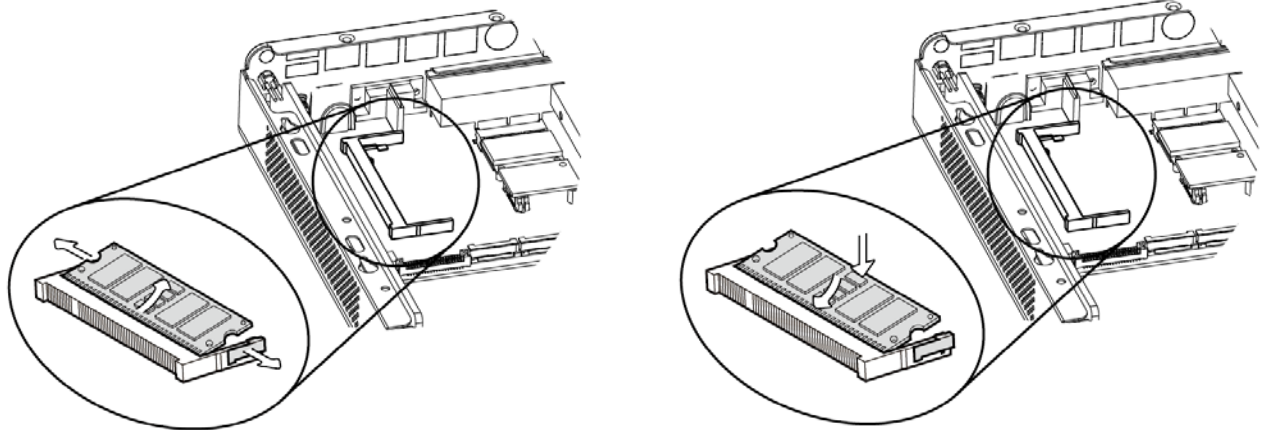


2. Remove the screws (4) and replace the HD.

3-3 Remove the RAM Module

EVO-PC4-D/F

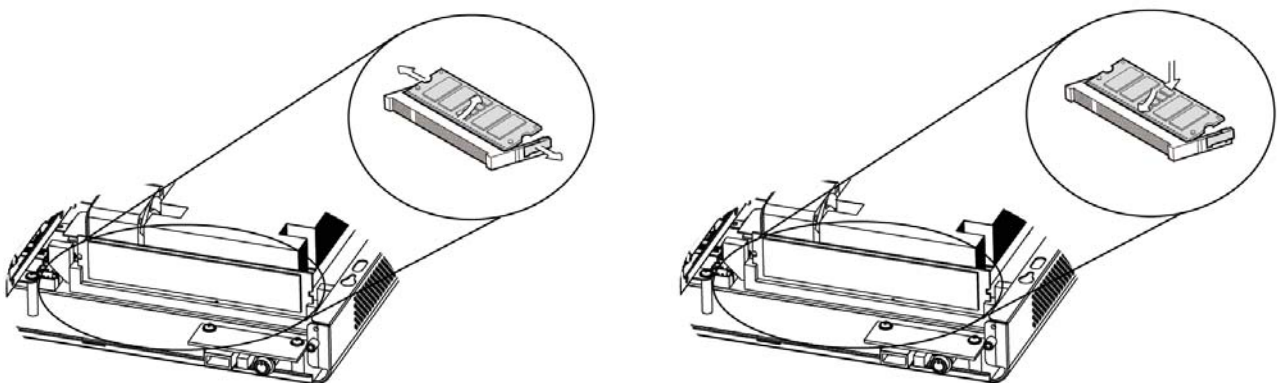
To replace the RAM, please remove the top cover as described in Chapter 3-1



1. Flip the ejector clips outwards to remove the memory module from the memory slot.
2. To install a RAM module, slide the memory module into the memory slot and press down until the ejector clips snap in to place.

EVO-PC4-Pro

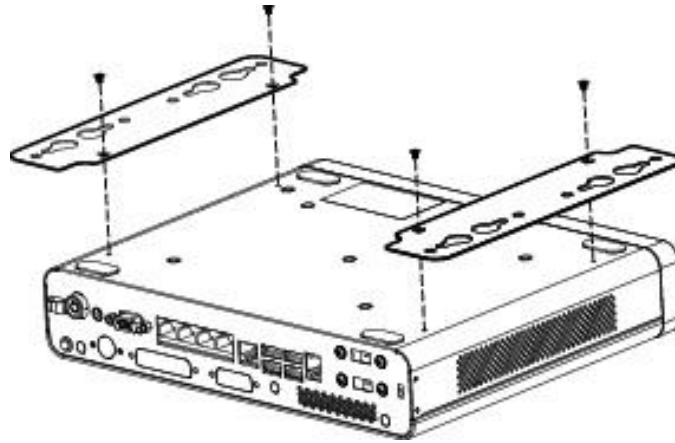
To replace the RAM, please remove the top cover as described in Chapter 3-1



1. Flip the ejector clips outwards to remove the memory module from the memory slot.
2. To install a RAM module, slide the memory module into the memory slot and press down until the ejector clips snap in to place.

4 Peripheral Installation

4-1 Wall Mounting Kits Installation



1. Turn over the system and fasten the screws (x4) as shown in the picture.

5 Specification

EVO-PC4-D

Model Name	EVO-PC4-D
Motherboard	C56
CPU	Intel CedarView D2550 processor 1.86GHz 1MB Cache, 32nm, 4 threads, 10W
Chipset	Intel® NM10
System Memory	DDR3, SO-DIMM x1, 2 or 4 GB, 1067MHz
Graphic Memory	DX9, Graphic core speed at 640MHz
Storage	
HDD	1 x slim HDD holder support SATA HDD
Flash Memory	SSD (without HDD, option)
External I/O Ports	
USB 2.0	6
Serial / COM	4 x RJ-45 COM connectors (COM1 & COM2 standard RS-232 W/O power; COM3/COM4 power enable/disable by BIOS, default BIOS setting w/o power; jumper setting COM3 at +5V & COM4 at +12V)
Line Out	1
Parallel	1
GigaLAN (10/100/1000)	1
DC Jack	1
VGA	1
DVI-D	N/A
Cash Drawer	RJ-11 x 1 (12V/24V)
PS/2	1
Kensington Lock	1
Power	
Power	External 19V/65W
Control / Indicator	
Power Button	1
Indicator LED (Green)	1
Expansion	
Power USB Module	N/A

Model Name	EVO-PC4-D
Motherboard	C56
Wireless LAN	half-size miniCARD type (PCI-E), 802.11 b/g/n wireless LAN card & antenna
Wall Mount Kit	1
Environment	
EMC & Safety	FCC Class A, CE, LVD
Operating Temperature	0°C~ 35 °C (32°F ~ 95 °F)
Storage Temperature	-20 °C ~ 60 °C (-4 °F ~ 140 °F)
Humidity	20% ~ 85% RH non condensing
Dimension (W x D x H)	270 X 220 x 50mm
Weight (N.W./G.W.)	1.9Kg / 2.9kg
OS Support	Windows® XP Professional, POSReady 2009, Windows XP Embedded, Windows XP Professional for Embedded, Windows 7, Linux, POSReady7

EVO-PC4-Pro

Model Name	EVO-PC4-Pro	
Motherboard	C65M	C65H
CPU	Intel Sandy Bridge CPU, LGA 1155-pin, 32nm Pentium G620T 2.2G, L2 3M, 35W	Intel Sandy Bridge CPU, LGA 1155-pin, 32nm i5-2390T 2.7G, L2 6M, TDP 35W, i3-2120 3.3G, L2 3M, TDP 65W, Pentium G850 2.9G, L2 3M, 65W G620 2.6G, L2 3M, 65W
Chipset	Intel® PCH Cougar Point H61 (SATA Generation 2.0/ No RAID)	Intel® PCH Cougar Point Q67 (SATA Generation 3.0/ RAID 0/1)
System Memory	DDR3, Long-DIMM x1, 2 or 4 GB, 1066/1333MHz	
Graphic Memory	Intel HD Graphics, Integrated in CPU, frequency 850MHz, (dynamic frequency up to 1.1G)	
Storage		
HDD	1 x slim HDD holder support SATA HDD	2 x slim HDD holder support SATA HDD
Flash Memory	SSD (without HDD, option)	
External I/O Ports		
USB 2.0	7	
Serial / COM	4 x RJ-45 COM connectors (COM1 & COM2 standard RS-232 W/O power; COM3/COM4 power enable/disable by BIOS, default BIOS setting w/o power; jumper setting COM3 at +5V & COM4 at +12V)	
Line out	1	
Parallel	1 (option)	1
GigaLAN (10 /100/1000)	1	
DC Jack	1	
VGA	1	
DVI-D	1 (option)	1
Cash Drawer Port	RJ-11 x 1 (12V/24V)	
PS/2	1	
Kensington Lock	1	
Power		
Power	External 19V/120W power adapter	
Control / Indicator		
Power Button	1	
Indicator LED (Green)	1	
Expansion		

Model Name	EVO-PC4 -PRO	
Motherboard	C65M	C65H
Power USB module	N/A	5 USB ports (24Vx1 / 12Vx2 /normal 5Vx2) & 24V DC jack out / 2nd LAN connector
Wireless LAN	half-size miniCARD type (PCI-E), 802.11 b/g/n wireless LAN card & antenna	half-size miniCARD type (PCI-E), 802.11 b/g/n wireless LAN card & antenna (Choose either wireless or 2nd LAN)
Wall Mount Kit	1	
Environment		
EMC & Safety	FCC Class A, CE, LVD	
Operating Temperature	0°C~ 35 °C (32°F ~ 95 °F)	
Storage Temperature	-20 °C ~ 60 °C (-4 °F ~ 140 °F)	
Operating Humidity	20% ~ 85% RH non condensing	
Storage Humidity	20% ~ 85% RH non condensing	
Dimension (W x D x H)	270 X 220 x 50mm	
Weight (N.W./G.W.)	2.6Kg / 3.6Kg	
OS Support	Windows® XP Professional, POSReady 2009, Windows XP Embedded, Windows XP Professional for Embedded, Windows 7, Linux, POSReady7	

EVO-PC4-F

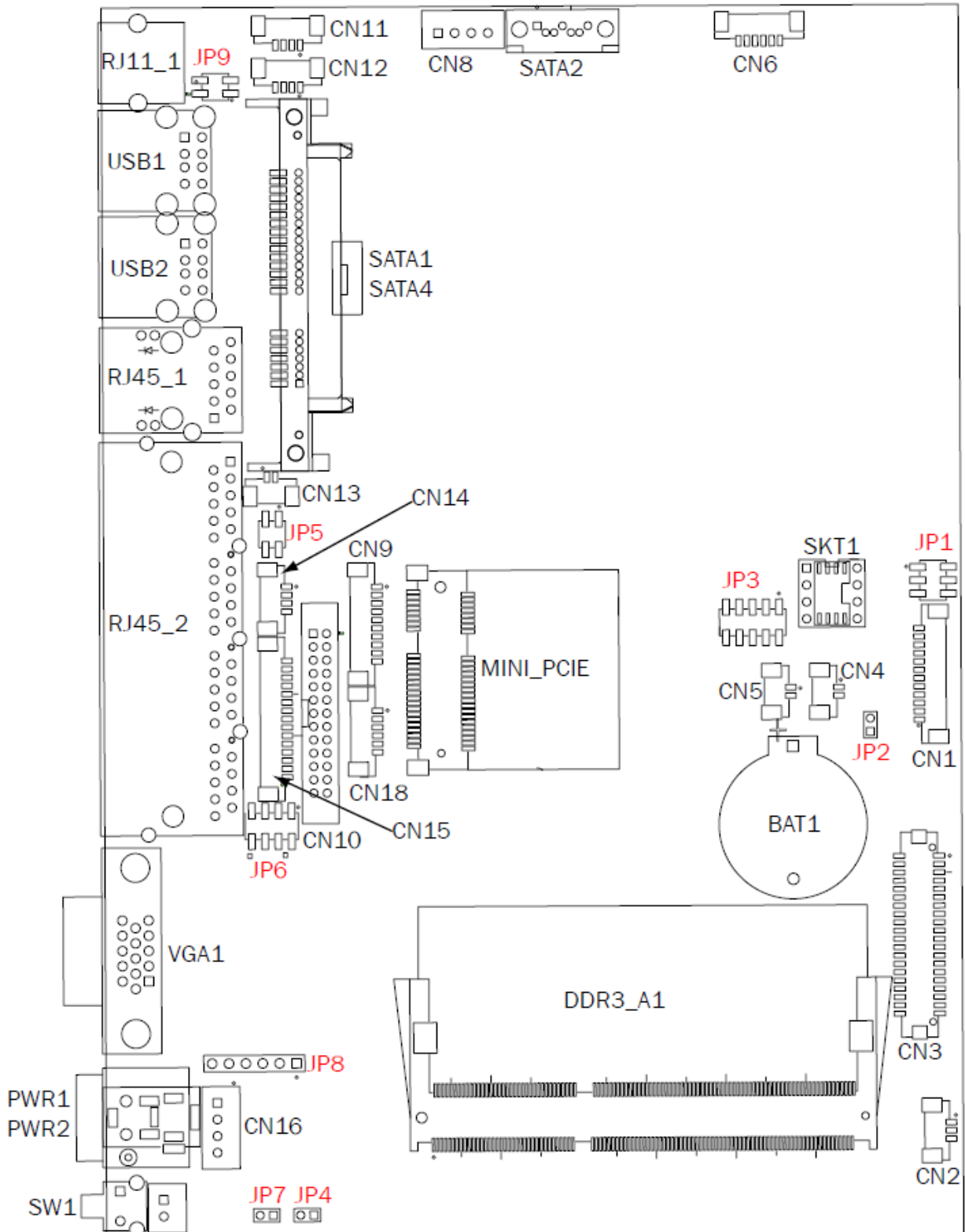
Model Name	EVO-PC4-F
Motherboard	D36
CPU	Intel Bay Trail CPU Celeron J1900 2.41GHz, L2 2M (10W)
Chipset	CPU Integrated
System Memory	1 x DDR3L SO-DIMM, FSB 1066/1333Hz, 2GB - 8GB
Graphic Memory	Intel HD graphic DX11 and OCL1.1
Storage	
HDD	1 x slim HDD holder support SATA HDD
Flash Memory	SSD (without HDD, option)
External I/O Ports	
USB	5 X 2.0 / 1 X 3.0
Serial / COM	4 x RJ-45 COM connectors (COM1 & COM2 0V/5V, COM3 0V/12V, power enabled by BIOS; 1 x DB-9/M, COM4 W/O power)
Line Out	1
Parallel	1
GigaLAN (10/100/1000)	1
DC Jack	1
VGA	1
DisplayPort	N/A
Cash Drawer	RJ-11 x 1 (12V/24V)
PS/2	N/A
Kensington Lock	1
Power	
Power	External 19V/65W
Control / Indicator	
Power Button	1
Indicator LED (Green)	1
Expansion	
Power USB Module	N/A

Model Name	EVO-PC4-F
Motherboard	D36
Wireless LAN	N/A
Wall Mount Kit	1 (Optional)
Environment	
EMC & Safety	FCC Class A, CE, LVD
Operating Temperature	0°C~ 35 °C (32°F ~ 95 °F)
Storage Temperature	-20 °C ~ 60 °C (-4 °F ~ 140 °F)
Humidity	20% ~ 85% RH non condensing
Dimension (W x D x H)	270 X 220 x 50mm
Weight (N.W./G.W.)	1.9Kg / 2.9kg
OS Support	Windows 7, Windows Embedded POS Ready 7, Windows Embedded 8.1 Industrial Pro Retail, Windows Embedded 8.1 Pro, Windows 10, IOT, Linux

6 Configuration

6-1 C56 Motherboard

6-1-1 Motherboard Layout



6-1-2 Connectors & Functions

Connector	Function
CN4	Power LED CONN
CN6	Speaker & MIC CONN
CN8	HDD Power CONN
CN10	Printer Port CONN
CN11/12	USB CONN
CN14	PS2 Keyboard CONN
CN17	Power Button CONN
CN18	TO Front I/O Board
PWR1/2	DC-JACK
RJ11_1	Cash Drawer Port
RJ45_1	LAN Port
RJ45_2	COM1~4 Port
DDR3_A1	DDR3 SO-DIMM
SATA1	SATA CONN
SATA2	7+15 Pin SATA CONN
USB1	USB Port
USB2	USB Port
VGA1	VGA Port
SW1	Power Button
JP5	COM2 Power Setting
JP6	COM3/COM4 Power Setting
JP9	CASH DRAWER Power Setting

6-1-3 Jumper Settings

Cash Drawer Power Setting

Function	JP9 (1-2) (3-4)						
▲ 19V	<table style="border-collapse: collapse; margin: auto;"> <tr><td style="padding: 2px;">1</td><td style="padding: 2px;">3</td></tr> <tr><td style="padding: 2px;"><input type="checkbox"/></td><td style="padding: 2px;"><input checked="" type="checkbox"/></td></tr> <tr><td style="padding: 2px;">2</td><td style="padding: 2px;">4</td></tr> </table>	1	3	<input type="checkbox"/>	<input checked="" type="checkbox"/>	2	4
1	3						
<input type="checkbox"/>	<input checked="" type="checkbox"/>						
2	4						
12V	<table style="border-collapse: collapse; margin: auto;"> <tr><td style="padding: 2px;">1</td><td style="padding: 2px;">3</td></tr> <tr><td style="padding: 2px;"><input checked="" type="checkbox"/></td><td style="padding: 2px;"><input type="checkbox"/></td></tr> <tr><td style="padding: 2px;">2</td><td style="padding: 2px;">4</td></tr> </table>	1	3	<input checked="" type="checkbox"/>	<input type="checkbox"/>	2	4
1	3						
<input checked="" type="checkbox"/>	<input type="checkbox"/>						
2	4						

COM2/COM3/COM4 Power Setting

COM2, COM3 and COM4 can be set to provide power to your serial device.

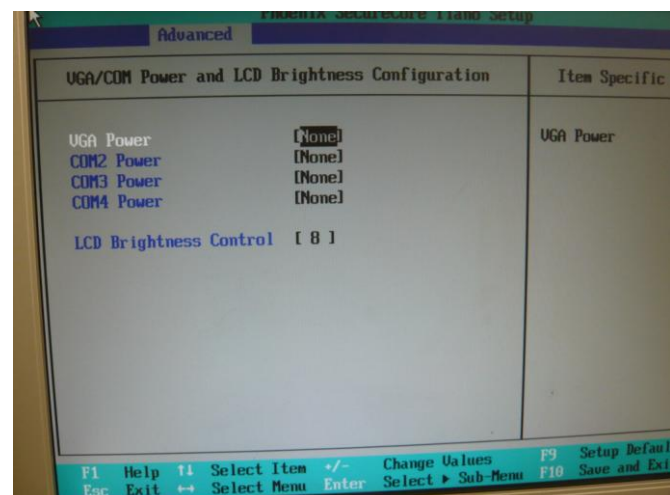
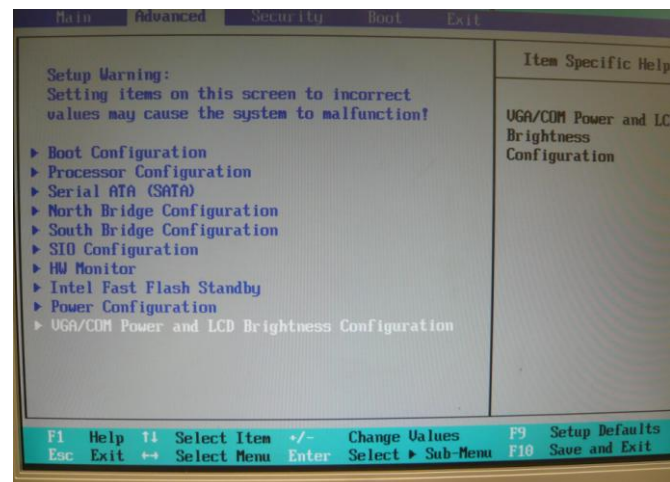
The voltage can be set to +5V or +12V by setting jumper JP9 on the motherboard.

When enabled, the power is available on pin 10 of the RJ45 serial connector.

If you use the serial RJ45 to DB9 adapter cable, the power is on pin 9 of the DB9 connector. By default, the power option is **disabled** in the BIOS.

Enable COM2/ COM3/COM4 power in BIOS

1. Power on the system, and press the key when the system is booting up to enter the BIOS Setup utility.
2. Select the Advanced tab.
3. Select **VGA/COM Power and LCD Brightness Configuration** Ports and press <Enter> to go to display the available options.
4. To enable the power, select COM2 , COM3 or COM4 Power setting and press <Enter>. Select Power and press <Enter>. Save the change by pressing F10.



COM2 Power Setting

Function	JP5 (1-2) (3-4)								
▲ COM2 +5V	<table style="border-collapse: collapse; margin: auto;"> <tr><td style="padding: 0 5px;">1</td><td style="padding: 0 5px;">3</td></tr> <tr><td style="border: 1px solid black; width: 15px; height: 15px; background-color: black;"></td><td style="border: 1px solid black; width: 15px; height: 15px;"></td></tr> <tr><td style="border: 1px solid black; width: 15px; height: 15px; background-color: black;"></td><td style="border: 1px solid black; width: 15px; height: 15px;"></td></tr> <tr><td style="padding: 0 5px;">2</td><td style="padding: 0 5px;">4</td></tr> </table>	1	3					2	4
1	3								
2	4								
COM2 +12V	<table style="border-collapse: collapse; margin: auto;"> <tr><td style="padding: 0 5px;">1</td><td style="padding: 0 5px;">3</td></tr> <tr><td style="border: 1px solid black; width: 15px; height: 15px;"></td><td style="border: 1px solid black; width: 15px; height: 15px; background-color: black;"></td></tr> <tr><td style="border: 1px solid black; width: 15px; height: 15px;"></td><td style="border: 1px solid black; width: 15px; height: 15px; background-color: black;"></td></tr> <tr><td style="padding: 0 5px;">2</td><td style="padding: 0 5px;">4</td></tr> </table>	1	3					2	4
1	3								
2	4								

COM 3 & COM4 Power Setting

Function	JP6 (1-2) (3-4) (5-6) (7-8)																
▲ COM3 +5V	<table style="border-collapse: collapse; margin: auto;"> <tr><td style="padding: 0 5px;">1</td><td style="padding: 0 5px;">3</td><td style="padding: 0 5px;">5</td><td style="padding: 0 5px;">7</td></tr> <tr><td style="border: 1px solid black; width: 15px; height: 15px; background-color: black;"></td><td style="border: 1px solid black; width: 15px; height: 15px;"></td><td style="border: 1px solid black; width: 15px; height: 15px;"></td><td style="border: 1px solid black; width: 15px; height: 15px;"></td></tr> <tr><td style="border: 1px solid black; width: 15px; height: 15px; background-color: black;"></td><td style="border: 1px solid black; width: 15px; height: 15px;"></td><td style="border: 1px solid black; width: 15px; height: 15px;"></td><td style="border: 1px solid black; width: 15px; height: 15px;"></td></tr> <tr><td style="padding: 0 5px;">2</td><td style="padding: 0 5px;">4</td><td style="padding: 0 5px;">6</td><td style="padding: 0 5px;">8</td></tr> </table>	1	3	5	7									2	4	6	8
1	3	5	7														
2	4	6	8														
COM3 +12V	<table style="border-collapse: collapse; margin: auto;"> <tr><td style="padding: 0 5px;">1</td><td style="padding: 0 5px;">3</td><td style="padding: 0 5px;">5</td><td style="padding: 0 5px;">7</td></tr> <tr><td style="border: 1px solid black; width: 15px; height: 15px;"></td><td style="border: 1px solid black; width: 15px; height: 15px; background-color: black;"></td><td style="border: 1px solid black; width: 15px; height: 15px;"></td><td style="border: 1px solid black; width: 15px; height: 15px;"></td></tr> <tr><td style="border: 1px solid black; width: 15px; height: 15px;"></td><td style="border: 1px solid black; width: 15px; height: 15px; background-color: black;"></td><td style="border: 1px solid black; width: 15px; height: 15px;"></td><td style="border: 1px solid black; width: 15px; height: 15px;"></td></tr> <tr><td style="padding: 0 5px;">2</td><td style="padding: 0 5px;">4</td><td style="padding: 0 5px;">6</td><td style="padding: 0 5px;">8</td></tr> </table>	1	3	5	7									2	4	6	8
1	3	5	7														
2	4	6	8														
COM4+ 5V	<table style="border-collapse: collapse; margin: auto;"> <tr><td style="padding: 0 5px;">1</td><td style="padding: 0 5px;">3</td><td style="padding: 0 5px;">5</td><td style="padding: 0 5px;">7</td></tr> <tr><td style="border: 1px solid black; width: 15px; height: 15px;"></td><td style="border: 1px solid black; width: 15px; height: 15px;"></td><td style="border: 1px solid black; width: 15px; height: 15px; background-color: black;"></td><td style="border: 1px solid black; width: 15px; height: 15px;"></td></tr> <tr><td style="border: 1px solid black; width: 15px; height: 15px;"></td><td style="border: 1px solid black; width: 15px; height: 15px;"></td><td style="border: 1px solid black; width: 15px; height: 15px; background-color: black;"></td><td style="border: 1px solid black; width: 15px; height: 15px;"></td></tr> <tr><td style="padding: 0 5px;">2</td><td style="padding: 0 5px;">4</td><td style="padding: 0 5px;">6</td><td style="padding: 0 5px;">8</td></tr> </table>	1	3	5	7									2	4	6	8
1	3	5	7														
2	4	6	8														
▲ COM4 +12V	<table style="border-collapse: collapse; margin: auto;"> <tr><td style="padding: 0 5px;">1</td><td style="padding: 0 5px;">3</td><td style="padding: 0 5px;">5</td><td style="padding: 0 5px;">7</td></tr> <tr><td style="border: 1px solid black; width: 15px; height: 15px;"></td><td style="border: 1px solid black; width: 15px; height: 15px;"></td><td style="border: 1px solid black; width: 15px; height: 15px;"></td><td style="border: 1px solid black; width: 15px; height: 15px; background-color: black;"></td></tr> <tr><td style="border: 1px solid black; width: 15px; height: 15px;"></td><td style="border: 1px solid black; width: 15px; height: 15px;"></td><td style="border: 1px solid black; width: 15px; height: 15px;"></td><td style="border: 1px solid black; width: 15px; height: 15px; background-color: black;"></td></tr> <tr><td style="padding: 0 5px;">2</td><td style="padding: 0 5px;">4</td><td style="padding: 0 5px;">6</td><td style="padding: 0 5px;">8</td></tr> </table>	1	3	5	7									2	4	6	8
1	3	5	7														
2	4	6	8														

▲ = Manufacturer Default Setting



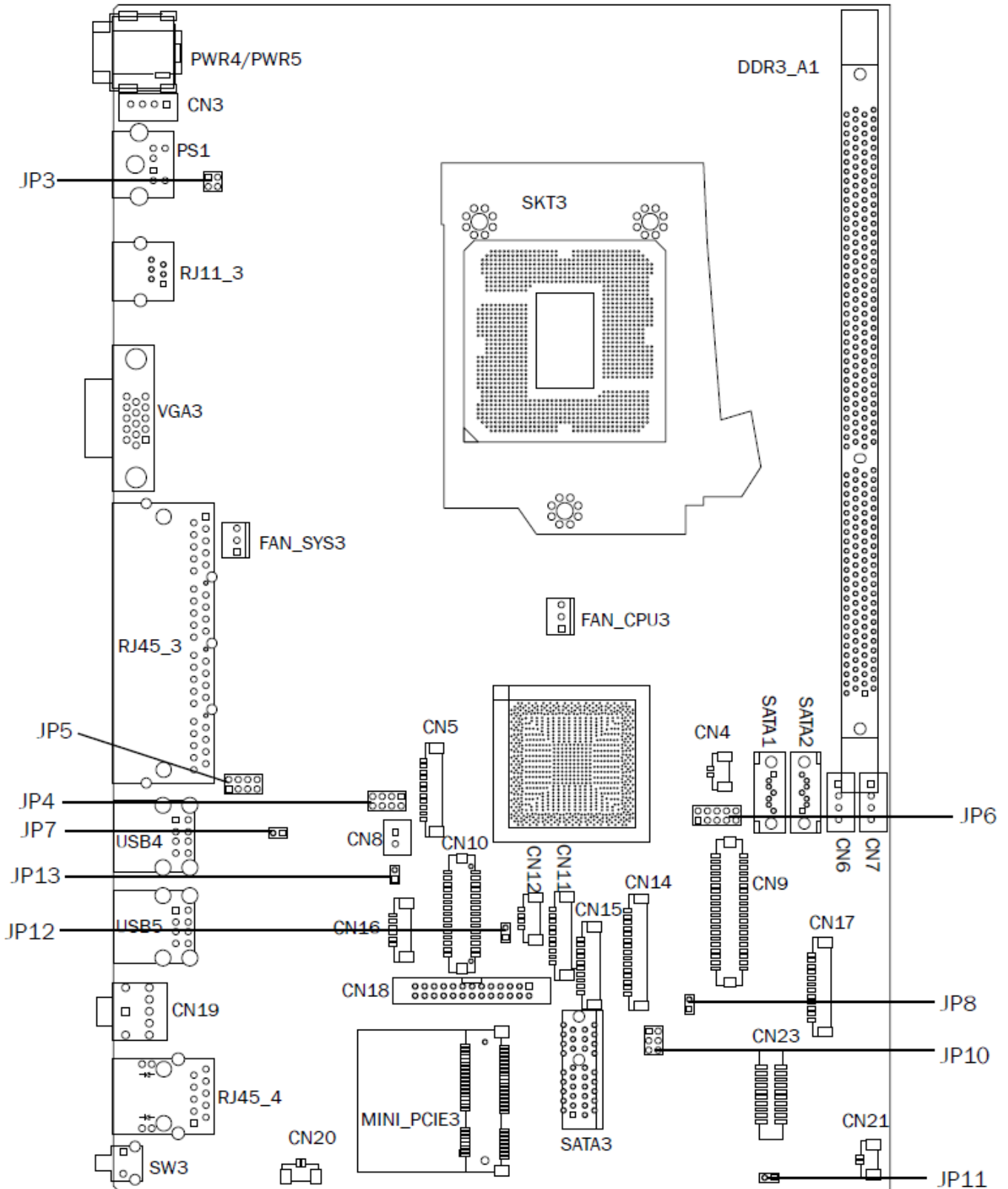
OPEN



SHORT

6-2 C65 Motherboard

6-2-1 Motherboard Layout



6-2-2 Connectors & Functions

Connector	Function
CN6/CN7	HDD Power CONN
CN8	Power Button
CN10	DVI CONN
CN11	To Front I/O Board
CN12	USB CONN
CN18	Printer CONN
CN19	Line Out
CN20	Battery CONN
DDR3_A1	DDR3 DIMM1
FAN_CPU3	FAN CONN
FAN_SYS3	FAN CONN
PS1	PS2 Port
PWR3/4/5	DC-JACK
RJ11_3	Cash Drawer Port
RJ45_3	COM1~4 Port
RJ45_4	LAN Port
SATA1/2	SATA CONN
SATA3	To SATA Docking Board
SW3	Power Button
USB4/5	USB Port
VGA3	VGA Port
JP3	Cash Drawer Power Setting
JP4	System Indicator
JP5	COM3/COM4 Power Setting
JP12	ME Update



6-2-3 Jumper Settings

Cash Drawer Power Setting

Function	JP3 (1-2) (3-4)						
▲ 19V/24V	<table style="border-collapse: collapse; margin: auto;"> <tr><td style="padding: 0 5px;">1</td><td style="padding: 0 5px;">3</td></tr> <tr><td style="border: 1px solid black; width: 10px; height: 10px; display: inline-block;"></td><td style="border: 1px solid black; width: 10px; height: 10px; display: inline-block;"></td></tr> <tr><td style="padding: 0 5px;">2</td><td style="padding: 0 5px;">4</td></tr> </table>	1	3			2	4
1	3						
2	4						
12V	<table style="border-collapse: collapse; margin: auto;"> <tr><td style="padding: 0 5px;">1</td><td style="padding: 0 5px;">3</td></tr> <tr><td style="border: 1px solid black; width: 10px; height: 10px; display: inline-block;"></td><td style="border: 1px solid black; width: 10px; height: 10px; display: inline-block;"></td></tr> <tr><td style="padding: 0 5px;">2</td><td style="padding: 0 5px;">4</td></tr> </table>	1	3			2	4
1	3						
2	4						

System Indicator

Function	JP4 (1-2) (3-4) (5-6) (7-8)												
▲ Disable	<table style="border-collapse: collapse; margin: auto;"> <tr><td style="padding: 0 5px;">1</td><td style="padding: 0 5px;">3</td><td style="padding: 0 5px;">5</td><td style="padding: 0 5px;">7</td></tr> <tr><td style="border: 1px solid black; width: 10px; height: 10px; display: inline-block;"></td><td style="border: 1px solid black; width: 10px; height: 10px; display: inline-block;"></td><td style="border: 1px solid black; width: 10px; height: 10px; display: inline-block;"></td><td style="border: 1px solid black; width: 10px; height: 10px; display: inline-block;"></td></tr> <tr><td style="padding: 0 5px;">2</td><td style="padding: 0 5px;">4</td><td style="padding: 0 5px;">6</td><td style="padding: 0 5px;">8</td></tr> </table>	1	3	5	7					2	4	6	8
1	3	5	7										
2	4	6	8										
Enable	<table style="border-collapse: collapse; margin: auto;"> <tr><td style="padding: 0 5px;">1</td><td style="padding: 0 5px;">3</td><td style="padding: 0 5px;">5</td><td style="padding: 0 5px;">7</td></tr> <tr><td style="border: 1px solid black; width: 10px; height: 10px; display: inline-block;"></td><td style="border: 1px solid black; width: 10px; height: 10px; display: inline-block;"></td><td style="border: 1px solid black; width: 10px; height: 10px; display: inline-block;"></td><td style="border: 1px solid black; width: 10px; height: 10px; display: inline-block;"></td></tr> <tr><td style="padding: 0 5px;">2</td><td style="padding: 0 5px;">4</td><td style="padding: 0 5px;">6</td><td style="padding: 0 5px;">8</td></tr> </table>	1	3	5	7					2	4	6	8
1	3	5	7										
2	4	6	8										

▲ = Manufacturer Default Setting  OPEN  SHORT

COM3 & COM4 Power Setting

COM3 and COM4 can be set to provide power to your serial device.

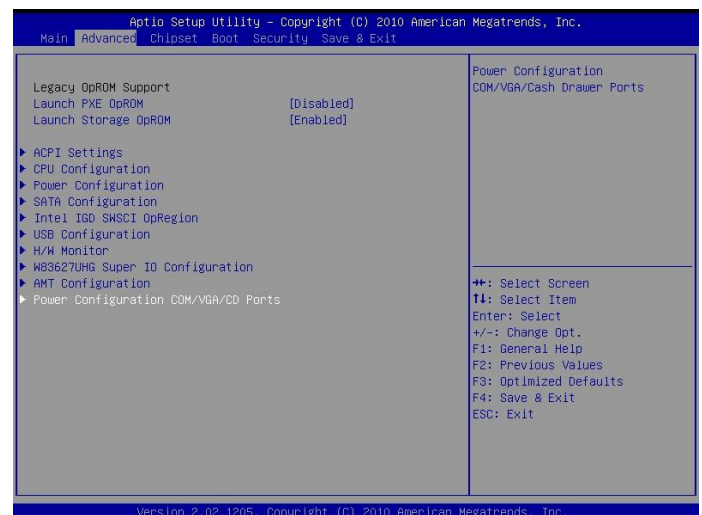
The voltage can be set to +5V or 12V by setting jumper JP9 on the motherboard.

When enabled, the power is available on pin 10 of the RJ45 serial connector.

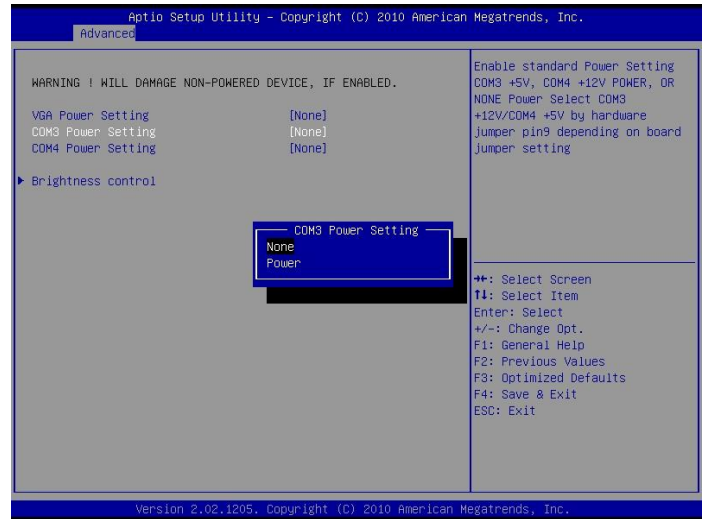
If you use the serial RJ45 to DB9 adapter cable, the power is on pin 9 of the DB9 connector. By default, the power option is **disabled** in the BIOS.

Enable COM3/COM4 power in BIOS

1. Power on the system, and press the key when the system is booting up to enter the BIOS Setup utility.
2. Select the Advanced tab
3. Select **Power Configuration COM/VGA Ports** and press <Enter> to display the available options.



4. To enable the power, select COM3 Power Setting or COM4 Power Setting and press <Enter>. Select Power and press <Enter>. Save the change by pressing F10.



COM3~COM4 Power Setting

Function	JP5 (1-2) (3-4) (5-6) (7-8)																				
▲ COM3 5V	<table style="border-collapse: collapse; margin: auto;"> <tr><td></td><td>1</td><td>3</td><td>5</td><td>7</td></tr> <tr><td><input checked="" type="checkbox"/></td><td><input type="checkbox"/></td><td><input type="checkbox"/></td><td><input type="checkbox"/></td><td><input type="checkbox"/></td></tr> <tr><td><input checked="" type="checkbox"/></td><td><input type="checkbox"/></td><td><input type="checkbox"/></td><td><input type="checkbox"/></td><td><input type="checkbox"/></td></tr> <tr><td></td><td>2</td><td>4</td><td>6</td><td>8</td></tr> </table>		1	3	5	7	<input checked="" type="checkbox"/>	<input type="checkbox"/>	<input type="checkbox"/>	<input type="checkbox"/>	<input type="checkbox"/>	<input checked="" type="checkbox"/>	<input type="checkbox"/>	<input type="checkbox"/>	<input type="checkbox"/>	<input type="checkbox"/>		2	4	6	8
	1	3	5	7																	
<input checked="" type="checkbox"/>	<input type="checkbox"/>	<input type="checkbox"/>	<input type="checkbox"/>	<input type="checkbox"/>																	
<input checked="" type="checkbox"/>	<input type="checkbox"/>	<input type="checkbox"/>	<input type="checkbox"/>	<input type="checkbox"/>																	
	2	4	6	8																	
COM3 12V	<table style="border-collapse: collapse; margin: auto;"> <tr><td></td><td>1</td><td>3</td><td>5</td><td>7</td></tr> <tr><td><input type="checkbox"/></td><td><input checked="" type="checkbox"/></td><td><input type="checkbox"/></td><td><input type="checkbox"/></td><td><input type="checkbox"/></td></tr> <tr><td><input type="checkbox"/></td><td><input checked="" type="checkbox"/></td><td><input type="checkbox"/></td><td><input type="checkbox"/></td><td><input type="checkbox"/></td></tr> <tr><td></td><td>2</td><td>4</td><td>6</td><td>8</td></tr> </table>		1	3	5	7	<input type="checkbox"/>	<input checked="" type="checkbox"/>	<input type="checkbox"/>	<input type="checkbox"/>	<input type="checkbox"/>	<input type="checkbox"/>	<input checked="" type="checkbox"/>	<input type="checkbox"/>	<input type="checkbox"/>	<input type="checkbox"/>		2	4	6	8
	1	3	5	7																	
<input type="checkbox"/>	<input checked="" type="checkbox"/>	<input type="checkbox"/>	<input type="checkbox"/>	<input type="checkbox"/>																	
<input type="checkbox"/>	<input checked="" type="checkbox"/>	<input type="checkbox"/>	<input type="checkbox"/>	<input type="checkbox"/>																	
	2	4	6	8																	
COM4 5V	<table style="border-collapse: collapse; margin: auto;"> <tr><td></td><td>1</td><td>3</td><td>5</td><td>7</td></tr> <tr><td><input type="checkbox"/></td><td><input type="checkbox"/></td><td><input checked="" type="checkbox"/></td><td><input type="checkbox"/></td><td><input type="checkbox"/></td></tr> <tr><td><input type="checkbox"/></td><td><input type="checkbox"/></td><td><input checked="" type="checkbox"/></td><td><input type="checkbox"/></td><td><input type="checkbox"/></td></tr> <tr><td></td><td>2</td><td>4</td><td>6</td><td>8</td></tr> </table>		1	3	5	7	<input type="checkbox"/>	<input type="checkbox"/>	<input checked="" type="checkbox"/>	<input type="checkbox"/>	<input type="checkbox"/>	<input type="checkbox"/>	<input type="checkbox"/>	<input checked="" type="checkbox"/>	<input type="checkbox"/>	<input type="checkbox"/>		2	4	6	8
	1	3	5	7																	
<input type="checkbox"/>	<input type="checkbox"/>	<input checked="" type="checkbox"/>	<input type="checkbox"/>	<input type="checkbox"/>																	
<input type="checkbox"/>	<input type="checkbox"/>	<input checked="" type="checkbox"/>	<input type="checkbox"/>	<input type="checkbox"/>																	
	2	4	6	8																	
▲ COM4 12V	<table style="border-collapse: collapse; margin: auto;"> <tr><td></td><td>1</td><td>3</td><td>5</td><td>7</td></tr> <tr><td><input type="checkbox"/></td><td><input type="checkbox"/></td><td><input type="checkbox"/></td><td><input checked="" type="checkbox"/></td><td><input type="checkbox"/></td></tr> <tr><td><input type="checkbox"/></td><td><input type="checkbox"/></td><td><input type="checkbox"/></td><td><input checked="" type="checkbox"/></td><td><input type="checkbox"/></td></tr> <tr><td></td><td>2</td><td>4</td><td>6</td><td>8</td></tr> </table>		1	3	5	7	<input type="checkbox"/>	<input type="checkbox"/>	<input type="checkbox"/>	<input checked="" type="checkbox"/>	<input type="checkbox"/>	<input type="checkbox"/>	<input type="checkbox"/>	<input type="checkbox"/>	<input checked="" type="checkbox"/>	<input type="checkbox"/>		2	4	6	8
	1	3	5	7																	
<input type="checkbox"/>	<input type="checkbox"/>	<input type="checkbox"/>	<input checked="" type="checkbox"/>	<input type="checkbox"/>																	
<input type="checkbox"/>	<input type="checkbox"/>	<input type="checkbox"/>	<input checked="" type="checkbox"/>	<input type="checkbox"/>																	
	2	4	6	8																	

ME update

Function	JP12 (1-2)								
▲ Lock	<table style="border-collapse: collapse; margin: auto;"> <tr><td></td><td>1</td></tr> <tr><td><input type="checkbox"/></td><td></td></tr> <tr><td><input type="checkbox"/></td><td></td></tr> <tr><td></td><td>2</td></tr> </table>		1	<input type="checkbox"/>		<input type="checkbox"/>			2
	1								
<input type="checkbox"/>									
<input type="checkbox"/>									
	2								
Un-Lock	<table style="border-collapse: collapse; margin: auto;"> <tr><td></td><td>1</td></tr> <tr><td><input checked="" type="checkbox"/></td><td></td></tr> <tr><td><input checked="" type="checkbox"/></td><td></td></tr> <tr><td></td><td>2</td></tr> </table>		1	<input checked="" type="checkbox"/>		<input checked="" type="checkbox"/>			2
	1								
<input checked="" type="checkbox"/>									
<input checked="" type="checkbox"/>									
	2								

▲ = Manufacturer Default Setting



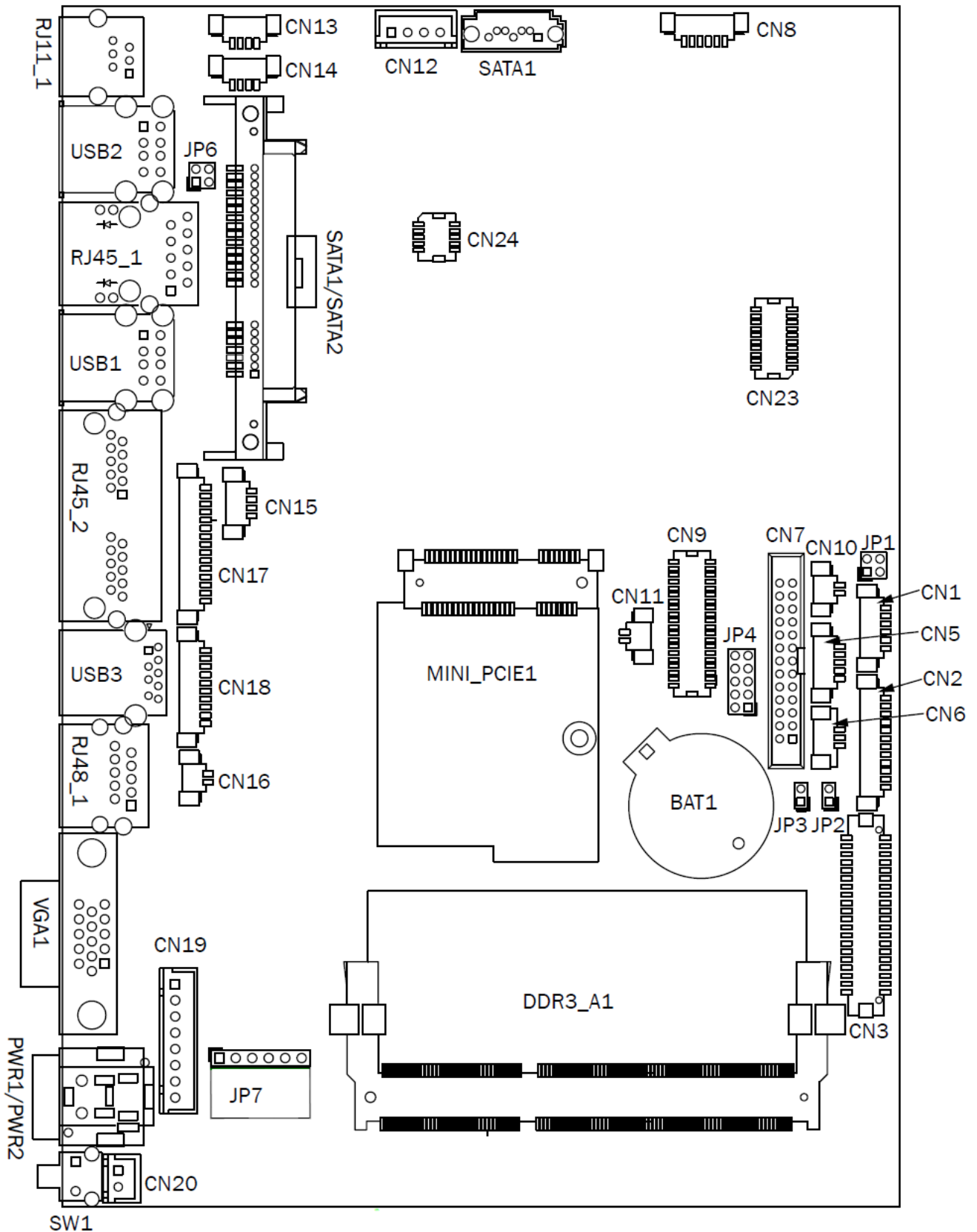
OPEN



SHORT

6-3 D36 Motherboard

6-3-1 Motherboard Layout





6-3-2 Connectors & Functions



Connector	Function
CN1	Front I/O board
CN2	Inverter connector
CN3	LVDS connector
CN6	System FAN connector
CN7	LPT port connector
CN8	Speaker & MIC connector
CN9	40pin external connector
CN10	HDD LED connector
CN11	Power LED connector
CN12	SATA power connector
CN13/14	USB port (internal)
CN15	PS2 keyboard connector
CN16	LPT touch
CN17	MSR connector
CN18	COM5 (touch) connector
CN19	Wide Range
CN20	Power button (internal)
CN21	LCM connector
CN22	POS325 51pin connector
PWR1/PWR2	DC Jack
RJ11_1	Cash drawer connector
RJ45_1	LAN connector
RJ45_2	COM1/ COM2
RJ48_1	COM3
DDR3_A1	DDR3 SO-DIMM
SATA0/SATA2	SATA
USB1/USB2	USB2.0
USB3	USB3.0
VGA1	CRT connector
SW1	Power button
MINI_PCIE1	MINI PCIE
JP1	Inverter select
JP4	LCD ID setting
JP6	Cash drawer power setting
JP7	Touch connector

6-3-3 Jumper Settings

Inverter Selection

Function	JP1 (1-2) (3-4)
▲ LED	
CCFL	

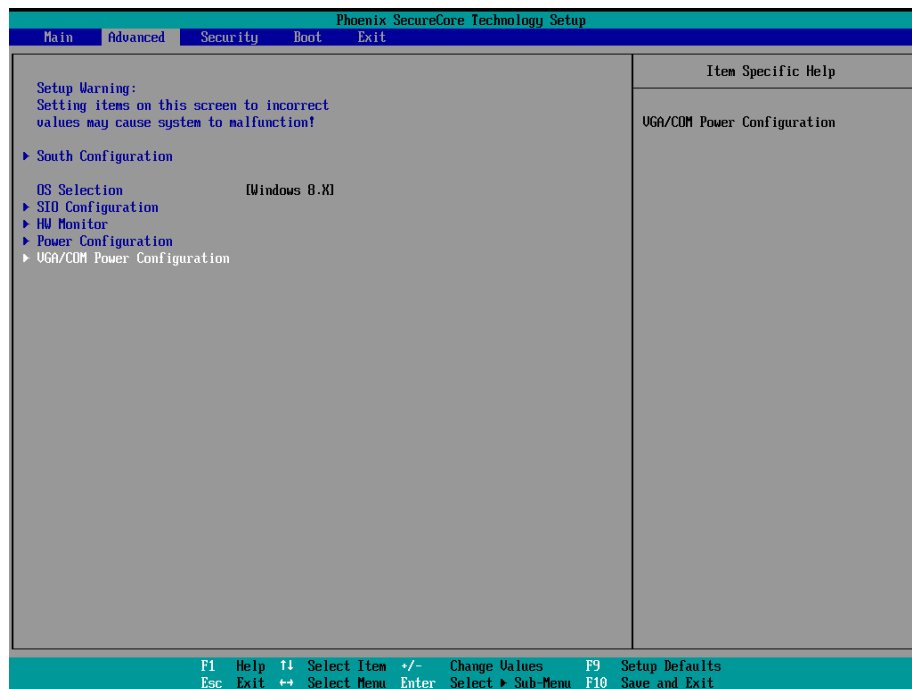
Cash Drawer Power Setting

Function	JP6 (1-2) (3-4)
▲ +19V	
+12V	

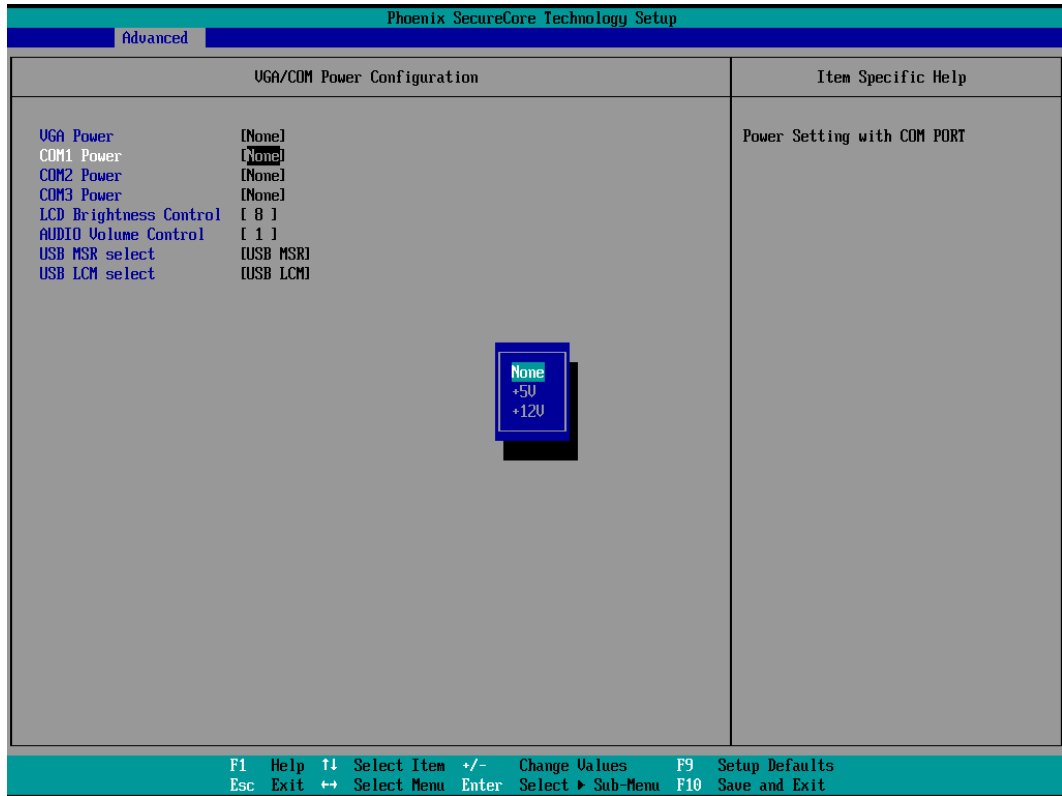
COM1/COM2/COM3 Power Setting

COM1, COM2 and COM3 can be set to provide power to your serial device.

The voltage can be set to +5V or +12V in the BIOS.



1. Power on the system, and press the key when the system is booting up to enter the BIOS Setup utility.
2. Select the Advanced tab.
3. Select **VGA/COM Power Configuration** Ports and press <Enter> to go to display the available options.



4. To enable the power, select COM1 , COM2 or COM3 Power setting and press <Enter>. Select Power and press <Enter>. Save the change by pressing F10.