

Overview

Introduction

HP provides a portfolio of professional-grade accessories that deliver an ideal mobile office designed to help you achieve your business goals, increase productivity and lower your costs. All HP accessories go through rigorous testing and are certified to work seamlessly with your HP Business Notebook. They are backed up by HP's world-class support.

HP docking solutions include a range of convenient expansion solutions that easily connect to your HP Business Notebook. Create an ideal desktop computing environment using ergonomic docking stations and stands that provide port replication and cable management, as well as enable future expandability.

HP is committed to delivering the optimal mobile computing experience by offering industry-leading accessories for every mobile user, whether you are a frequent traveler or rarely leave your desk. Enjoy return on investment from these easy-to-use, easy-to-deploy, and easy-to-manage expansion solutions.

Models

HP 2400/2500 Series Docking Station

EQ773AA#xxx

HP Ultra-Slim Expansion Base

GD229AA#xxx

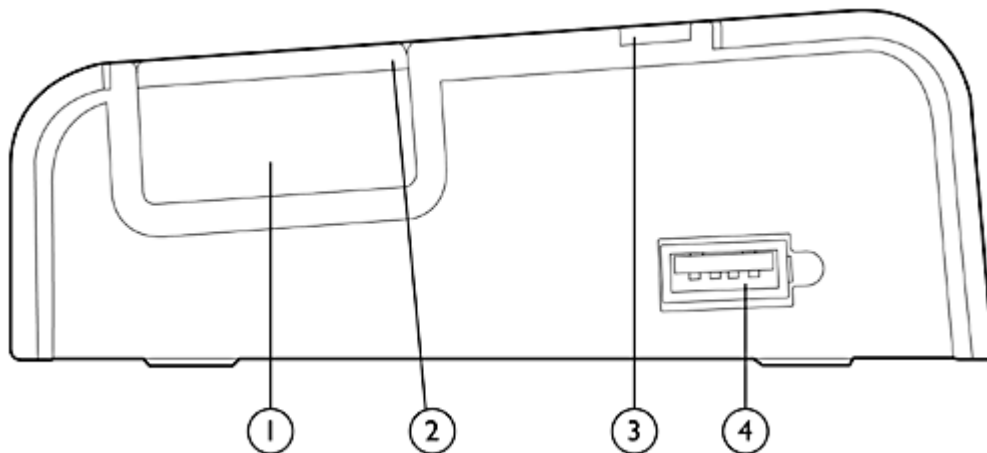
HP 2400/2500 Series Docking Station

HP 2400/2500 Series Docking Station (EQ773AA#xxx)



- | | |
|-------------------------|--|
| 1. Docking posts | 5. Connect button |
| 2. Power button | 6. Docking connector |
| 3. Computer power light | 7. Computer connect/release mechanisms |
| 4. Connect light | |

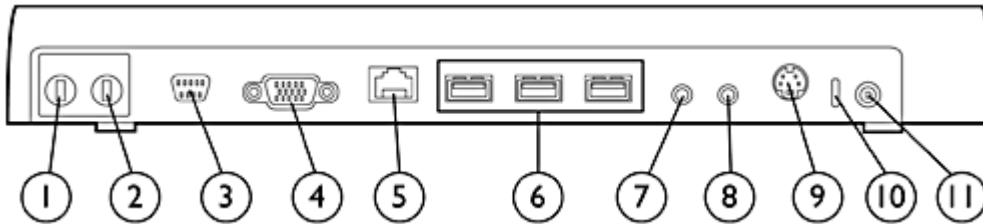
HP 2400/2500 Series Docking Station Left-Side Components



- | | |
|-------------------|-------------------------|
| 1. Connect button | 3. Computer power light |
| 2. Connect light | 4. Powered USB 2.0 port |

HP 2400/2500 Series Docking Station

HP 2400/2500 Series Docking Station Rear Components



1. Integrated security cable slot (for locking docking station only)
2. Integrated security cable slot (for locking computer and docking station)
3. Monitor stand port
4. External monitor port
5. RJ-45 (network) jack
6. USB ports (3)
7. Audio-in jack
8. Audio-out jack
9. S-Video-out jack
10. Power light
11. Power connector

Key Benefits

Full port replication and cable management in a space-saving design, the HP 2400/2500 series Docking Station is compatible with all HP 2400 and 2500 series Notebook PCs.

- Easy docking system provides port replication and cable management in one product.
- Four USB ports allow you to connect more peripherals to make you more productive.
- Compatible with the HP Adjustable Notebook Stand and HP Monitor Stand to create an ergonomic desktop computing experience.

AC adapter included

The HP 2400/2500 Series Docking Station features an energy-efficient 65W Smart AC adapter that guards against power fluctuations with integrated surge protection. The 65W Smart AC adapter can be leveraged across most HP Business Notebooks, providing a cost-effective solution for reducing power consumption and equipment costs.

HP 2400/2500 Series Docking Station

Standard Features

2 docking posts	Align and secure the computer for proper connection to the docking station
Power button	Turns on the power to the computer
Computer power light	On: a docked computer is turned on
2 computer connect / release mechanisms	Connect and release the computer when you press the connect button
Docking connector	Connects the computer to the docking station
Connect button	Secures and releases the computer Slide in to secure the computer Slide out to release the computer
Connect light	On: a computer is fully docked
USB ports	4 USB 2.0 ports (1 powered)
Powered USB port	Allows you to connect to select USB devices such as the HP External MultiBay II as well as regular USB devices
Security cable slots	Allows you to secure your docking station, or both your notebook and docking station
Audio and Network connectors	Audio and Ethernet ports
Other connectors	S-Video, Monitor Stand, External VGA monitors

Service and Support	One-year limited warranty. Additional support is available 24 hours a day, seven days a week by phone as well as online support forms. NOTE: Certain restrictions and exclusions apply. Consult the HP Customer Support Center for details.
---------------------	---

Compatibility	The HP 2400/2500 Series Docking Station is compatible with HP 2400 and 2500 series notebook PCs. NOTE: Not all models are available in all regions. NOTE: S-Video is not supported on the HP Compaq 2533t Notebook PC.
---------------	--

Specifications

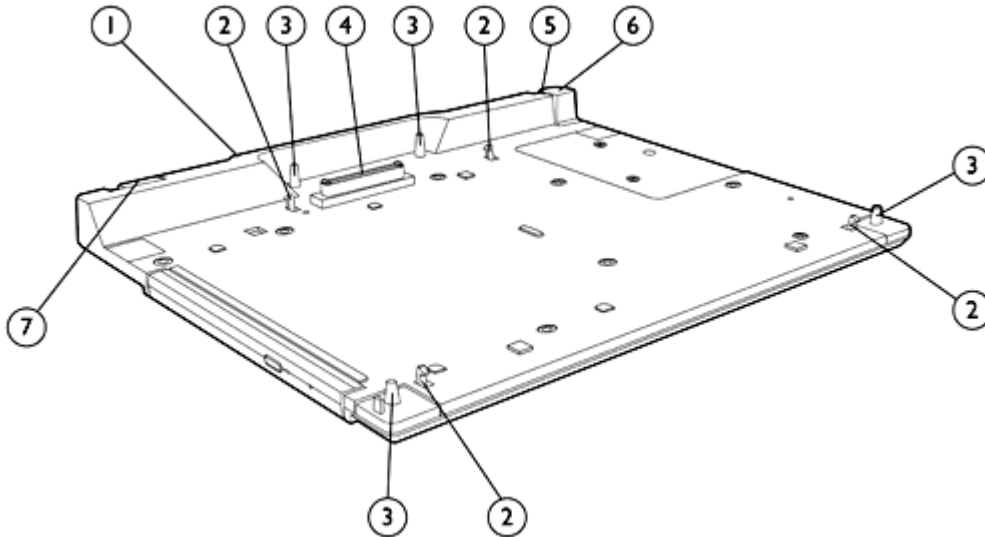
Dimensions (H x W x D)	14.8 x 1.5 x 4.4 in (37.7x 3.9 x 11.2 cm)
Weight	1.52 lbs (0.69 kg)
Stand-alone power requirements	Normal Operating Voltage 18.5 V Average Operating Power 18.5 W Max Operating Power < 65 W
Temperature	Operating 32° to 95° F (0° to 35° C) Non-operating 4° to 140° F (-20° to 60° C)
Relative humidity	Operating 10% to 90%, non-condensing Non-operating 5% to 95%, 101.6° F (38.7° C) maximum wet bulb temperature
Altitude	Operating -50 to 10,000 ft (-15.24 to 3,048 m) Non-operating -50 to 40,000 ft (-15.24 to 12,192 m)
Shock	Operating 125 G, 2 ms, half-sine Non-operating 200 G, 2 ms, half-sine

HP 2400/2500 Series Docking Station

Random vibration	Operating	0.75 grms
	Non-operating	1.50 grms
Option Kit Contents	HP 2400/2500 Series Docking Station, AC power adapter documentation	

HP Ultra-Slim Expansion Base

HP Ultra-Slim Expansion Base (GD229AA#xxx)



- | | |
|--|--------------------------------|
| 1. AC power connect light | 5. Connection light |
| 2. Computer connect/release mechanisms | 6. Connection latch |
| 3. Docking posts | 7. Cable lock selection slider |
| 4. Docking connector | |

Key Benefits

No need to plug and unplug your peripherals every time. Dock your HP 2710p or HP 2730p Notebook PC while in the office or on the go with the Ultra-Slim Expansion Base which features an integrated DVD+/-RW drive.

- Adaptable mobile expansion solution
- Add the HP 2710p Series Ultra-slim Battery and get over 11 hours and 45 minutes of run time when used in conjunction with your primary battery.
- Dock your notebook while in the office or on the road – no need to plug and unplug your peripherals
- DVD+/-RW drive included
- Fits neatly into your notebook carrying case.

HP Ultra-Slim Expansion Base

Standard Features

Ports	USB 2.0 (four ports) VGA (Dsub 15 pin) RJ-45 / Ethernet pass thru Headphone output (stereo) Microphone Input (stereo) S-Video TV Out DC-in Docking connector for notebook or travel battery
Optical Drive	7mm PATA DVD +/-RW Optical drive
Adapters	65W smart AC adapter
LED indicators	AC present aqua white Dock connected blue Two RJ45 LEDs amber/green
Security	Kensington Security Lock

Service and Support	One-year limited warranty. Additional support is available 24 hours a day, seven days a week by phone as well as online support forms. NOTE: Certain restrictions and exclusions apply. Consult the HP Customer Support Center for details.
---------------------	---

Compatibility	The HP Ultra-Slim Expansion Base is compatible with the HP Compaq 2710p and 2730p Notebook PCs. NOTE: Not all models are available in all regions.
---------------	--

Specifications

Dimensions (H x W x D)	9.06 x 10.5 x 0.35 in (230.3 x 268.41 x 9 mm)
Weight	720g (1.59 lbs)
Stand-alone power requirements	Normal Operating Voltage 18.5 V Average Operating Power 12.5 W Max Operating Power < 65 W
Temperature	Operating 32° to 95° F (0° to 35° C) Non-operating -4° to 140° F (-20° to 60° C)
Relative humidity	Operating 10% to 90%, non-condensing Non-operating 5% to 95%, 101.6° F (38.7° C) maximum wet bulb temperature
Altitude	Operating -50 to 10,000 ft (-15.24 to 3,048 m) Non-operating -50 to 40,000 ft (-15.24 to 12,192 m)
Shock	Operating 125 G, 2 ms, half-sine Non-operating 200 G, 2 ms, half-sine
Random vibration	Operating 0.75 grms Non-operating 1.50 grms
Option Kit Contents	HP Ultra-Slim Expansion Base, AC power adapter, documentation

Related Options

HP Upgrade Bay SATA 250-GB 5400 rpm Hard Drive	AK868AA
HP Upgrade Bay SATA DVD+/-RW SuperMulti DL LightScribe Drive	AK869AA
HP 8-Cell Extended Life Battery	PB993A
HP MBII DVD-ROM Drive	PA849A
HP Extended Life Battery	AJ359AA
HP MBII SuperMulti (DL) DVD+/-RW Drive	PA851A

© Copyright 2009 Hewlett-Packard Development Company, L.P.

The information contained herein is subject to change without notice.

The only warranties for HP products and services are set forth in the express warranty statements accompanying such products and services. Nothing herein should be construed as constituting an additional warranty. HP shall not be liable for technical or editorial errors or omissions contained herein.