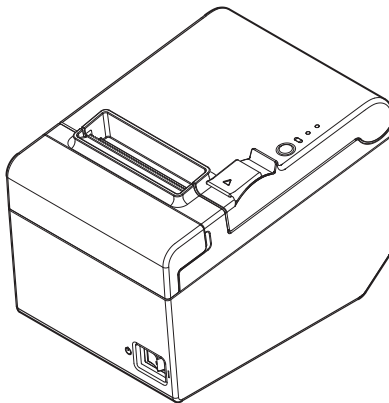


# TM-T20II

## User's Manual



All rights reserved. No part of this publication may be reproduced, stored in a retrieval system, or transmitted in any form or by any means, electronic, mechanical, photocopying, recording, or otherwise, without the prior written permission of Seiko Epson Corporation. No patent liability is assumed with respect to the use of the information contained herein. While every precaution has been taken in the preparation of this book, Seiko Epson Corporation assumes no responsibility for errors or omissions. Neither is any liability assumed for damages resulting from the use of the information contained herein.

Neither Seiko Epson Corporation nor its affiliates shall be liable to the purchaser of this product or third parties for damages, losses, costs, or expenses incurred by purchaser or third parties as a result of: accident, misuse, or abuse of this product or unauthorized modifications, repairs, or alterations to this product, or (excluding the U.S.) failure to strictly comply with Seiko Epson Corporation's operating and maintenance instructions.

Seiko Epson Corporation shall not be liable against any damages or problems arising from the use of any options or any consumable products other than those designated as Original Epson Products or Epson Approved Products by Seiko Epson Corporation.

Depending on the area, the interface cable may be included with the product. If so, use that cable.

Seiko Epson Corporation shall not be held liable for any damage resulting from electromagnetic interference that occurs from the use of any interface cables other than those designated as Epson approved products.

EPSON is a registered trademark of Seiko Epson Corporation. Exceed Your Vision is a registered trademark or trademark of Seiko Epson Corporation. All other trademarks are the property of their respective owners and used for identification purpose only.

**NOTICE:** The contents of this manual are subject to change without notice.

©Seiko Epson Corporation 2013-2019. All rights reserved.

---

## Important Safety Information

This section presents important information intended to ensure safe and effective use of this product. Read this section carefully and store it in an accessible location.

### Key to Symbols

The symbols in this manual are identified by their level of importance, as defined below. Read the following carefully before handling the product.

 **WARNING:**

*Warnings must be followed carefully to avoid serious bodily injury.*

 **CAUTION:**

*Cautions must be observed to avoid minor injury to yourself, damage to your equipment, or loss of data.*

 **Note:**

*Notes have important information and useful tips on the operation of your equipment.*

### Safety Precautions

 **WARNING:**

*Shut down your equipment immediately if it produces smoke, a strange odor, or unusual noise. Continued use may lead to fire or shock. Immediately unplug the equipment and contact your dealer or a Seiko Epson service center for advice. Never attempt to repair this product yourself. Improper repair work can be dangerous.*

*Never disassemble or modify this product. Tampering with this product may result in injury, fire, or shock.*

*Be sure to use the specified AC adapter. Connection to an improper power source may cause fire.*

*Never insert or disconnect the power plug with wet hands. Doing so may result in severe shock.*

*Do not place multiple loads on the power outlet (wall outlet). Always supply power directly from a standard power outlet. Overloading the outlet may lead to fire.*

*Be sure your power cord meets the relevant safety standards and includes a power-system ground terminal (PE terminal). Otherwise shock may result.*

*Handle the cables with care. Improper handling may lead to fire or shock.*

*Do not use the cables if they are damaged.*

*Do not modify or attempt to repair the cables.*

*Do not place any object on top of the cables.*

*Avoid excessive bending, twisting, and pulling of the cables.*

*Do not place cables near heating equipment.*

*Check that the plug is clean before plugging it in.*

*Check that the AC inlet is clean before plugging the power connector in.*

*Be sure to push the prongs and power connector all the way in.*

*Use the provided power cable only. Do not use the provided power cable with any other devices than the specified one. Doing so may lead to fire or shock.*

*Never glue the AC inlet and the power cable together.*

Regularly remove the power plug from the outlet and clean the base of the prongs and between the prongs. If you leave the power plug in the outlet for a long time, dust may collect on the base of the prongs, causing a short and fire. Regularly confirm that the plug and AC inlet are not wet with liquid such as water.

Do not allow foreign matter to fall into the equipment. Penetration by foreign objects may lead to fire.

If water or other liquid spills into this equipment, unplug the power cord immediately, and then contact your dealer or a Seiko Epson service center for advice. Continued usage may lead to fire.

Do not use aerosol sprayers containing flammable gas inside or around this product. Doing so may cause fire.

Do not connect a telephone line to the drawer kick-out connector; otherwise the printer and the telephone line may be damaged.

### **CAUTION:**

Do not connect cables in ways other than those mentioned in this manual. Different connections may cause equipment damage and burning.

Be sure to set this equipment on a firm, stable, horizontal surface. The product may break or cause injury if it falls.

Do not use in locations subject to high humidity or dust levels. Excessive humidity and dust may cause equipment damage or fire.

Do not place heavy objects on top of this product. Never stand or lean on this product. Equipment may fall or collapse, causing breakage and possible injury.

Take care not to injure your fingers on the manual cutter

- When you remove printed paper
- When you perform other operations such as loading/replacing roll paper

To ensure safety, unplug this product before leaving it unused for an extended period.

## **Caution Labels**

The caution labels on the product indicate the following precautions.

### **CAUTION:**

Do not touch the thermal head because it can be very hot after printing.

## **Restriction of Use**

When this product is used for applications requiring high reliability/safety, such as transportation devices related to aviation, rail, marine, automotive, etc.; disaster prevention devices; various safety devices, etc.; or functional/precision devices, etc.; you should use this product only after giving consideration to including fail-safes and redundancies into your design to maintain safety and total system reliability. Because this product was not intended for use in applications requiring extremely high reliability/safety, such as aerospace equipment, main communication equipment, nuclear power control equipment, or medical equipment related to direct medical care, etc., please make your own judgment on this product's suitability after a full evaluation.

## Downloading Drivers, Utilities, and Manuals

The latest versions of drivers, utilities, and manuals can be downloaded from one of the following URLs.

For customers in North America, go to the following web site:  
[www.epson.com/support/](http://www.epson.com/support/)

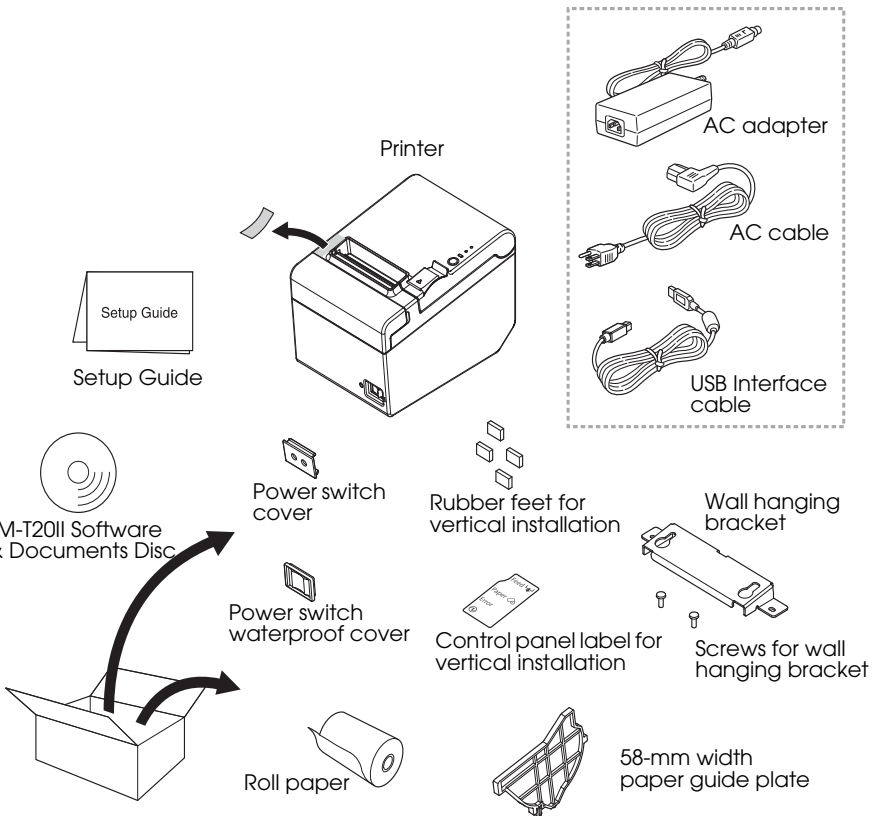
For customers in other countries, go to the following web site:  
[www.epson-biz.com/](http://www.epson-biz.com/)

## Unpacking

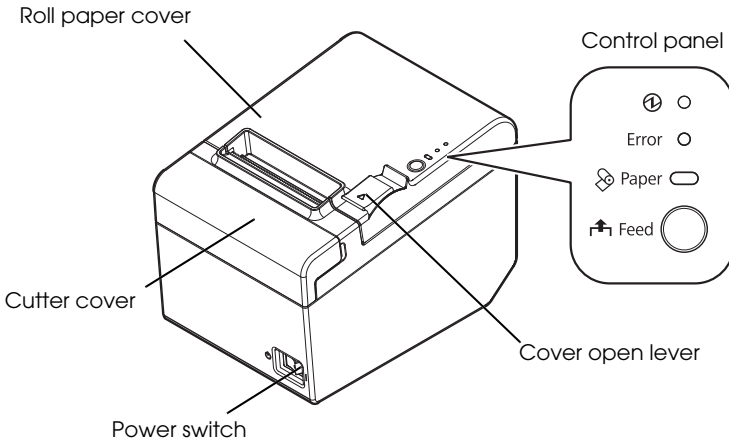
The following items are included with the standard specification printer.  
If any item is damaged, contact your dealer.

 **Note:**

*Depending on the model, the accessories in the broken line box may not be included.  
The shape of accessories varies between models and areas.*



## **Part Names**



## **Control Panel**

### **⌚ (Power) LED**

This LED is on when the printer is on.

### **Error LED**

This indicates an error.

### **Paper LED**

On indicates a paper out. Flashing indicates standby.

### **Feed button**

This button feeds paper.

## Connecting the Cables

### **WARNING:**

Be sure to use the specified AC adapter (AC Adapter, C1 (Model: M235B)) only.

### **CAUTION:**

For a serial interface, use a null modem cable.

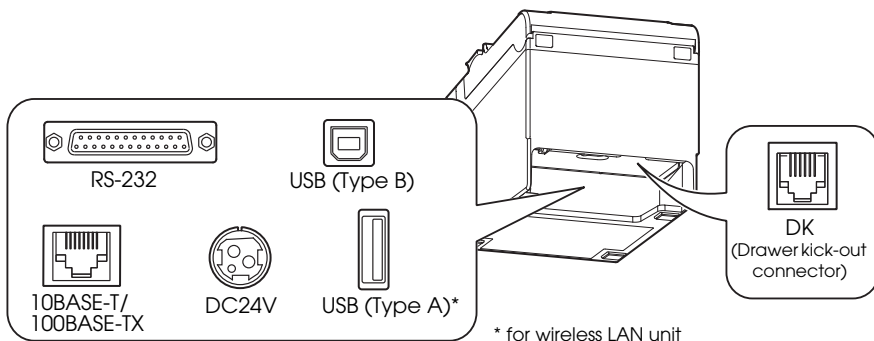
For a USB interface, do not turn on the printer before installing the printer driver.

For using an Ethernet (10Base-T/100Base-TX) interface, do not connect a telephone line or a drawer kick-out cable to the Ethernet connector.

Do not connect to electrical outlets close to devices that generate voltage fluctuations or electrical noise. In particular, stay clear of devices that use large electric motors.

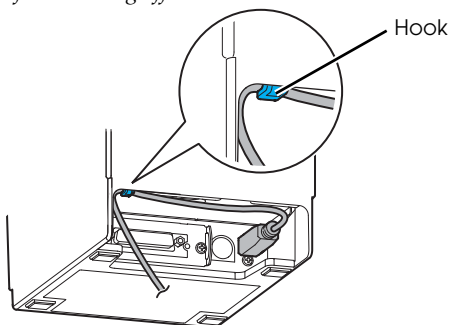
Never attempt to stretch the cables to enable a connection. The power cable must have adequate slack at all times during use.

1. Make sure the printer is turned off.
2. Connect the interface cable to the printer.  
For the shape of each connector, see the illustration below. (Mounted interfaces vary by the printer model.)

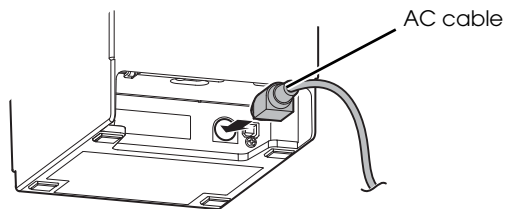


### **Note:**

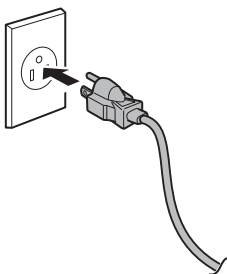
When connecting the USB cable, fix the USB cable with the hook shown in the illustration below to prevent the cable from coming off.



3. Connect the interface cable to the computer.
4. Connect the AC cable to the AC adapter.
5. Connect the DC cable of the AC adapter to the power connector of the printer.



6. Insert the AC plug into a power outlet.





## Installing the Printer

You can install the printer horizontally on a flat surface (with the paper exit on top) or vertically (with the paper exit at the front). Also, you can hang it on a wall using the included accessories.

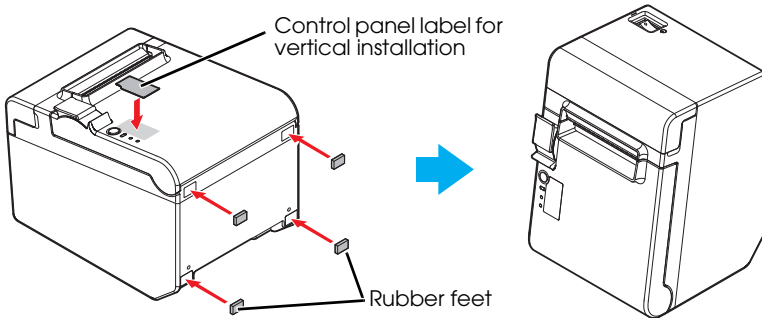


### **CAUTION:**

Take measures to prevent the printer from moving by vibration during paper cutting and when using a drawer. Affixing tape is provided as an option.

## Installing the Printer Vertically

When installing the printer vertically, be sure to attach the included control panel label for vertical installation on the roll paper cover, and attach 4 rubber feet in the rectangular indents in the printer case, as shown in the illustration below.

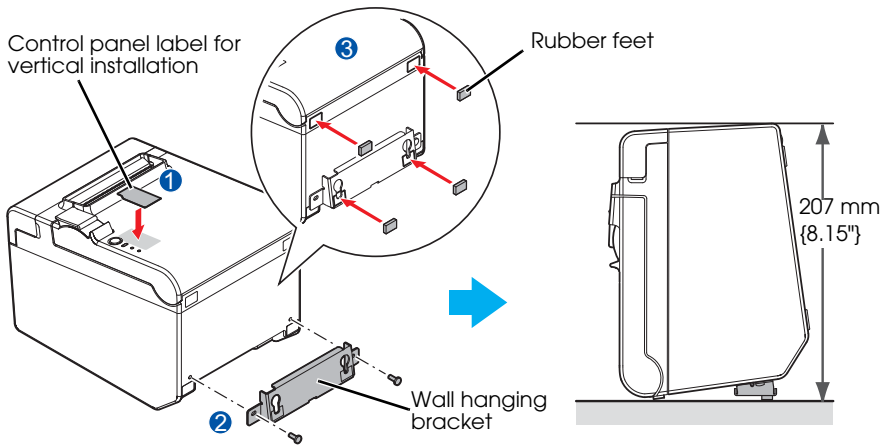


### **Note:**

You can install the printer so that the roll paper cover is upright to the mounting surface using the included wall hanging bracket.

1. Attach the control panel label for vertical installation on the roll paper cover.
2. Install the wall hanging bracket on the printer, and fix it using 2 included screws.
3. Attach 2 rubber feet in the rectangular indents in the printer case, and attach 2 rubber feet within the scribed line on the hanging bracket.

4. Place the printer with the wall-hanging-bracket-side down.



## Hanging the Printer on a Wall

To hang the printer on the wall, follow the steps below.

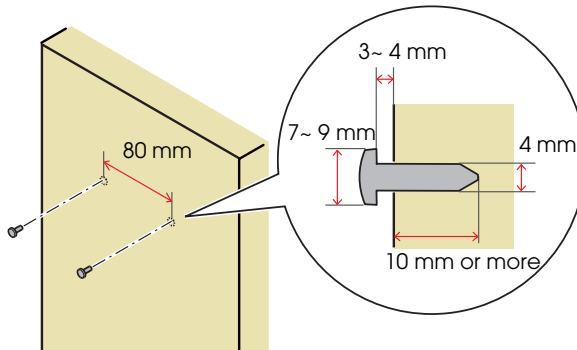
### CAUTION:

To fix the printer securely, install the wall hanging bracket on a wall made of wood, concrete, or metal. The thickness of the wall should be 10 mm {0.4"} or more.

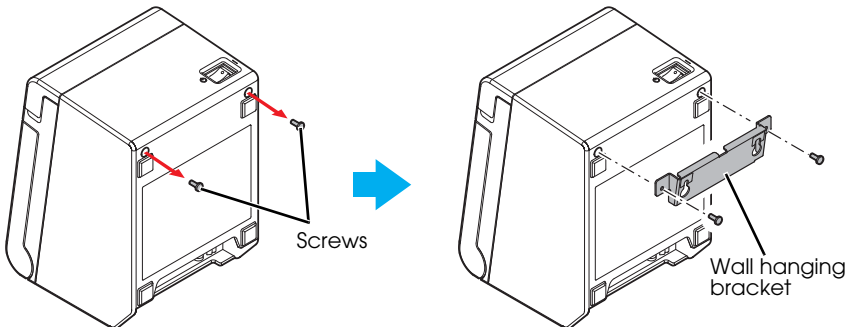
Be sure to use metallic screws.

The screws on the wall side must have a pull-out strength of 150 N (15.3 kgf) or more.

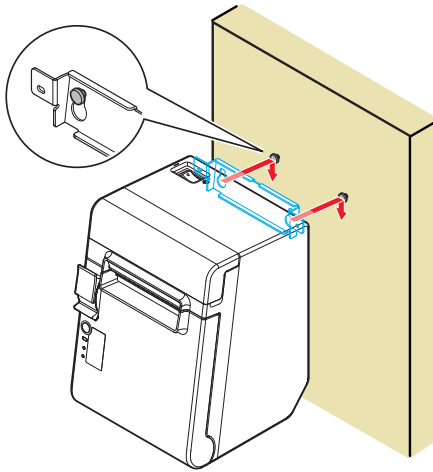
1. Install 2 screws (screw diameter: 4 mm {0.16"}, head diameter: 7 to 9 mm {0.28 to 0.35"}) in the wall at an interval of 80 mm {3.15"}. Make sure the length of the screw's body in the wall is 10 mm {0.39"} or more, and the length outside the wall is 3 to 4 mm {0.12 to 0.16"}.



2. Remove the installed 2 screws from the printer, as shown in the illustration below.
3. Install the wall hanging bracket on the printer, and fix it using the screws removed in Step 2.



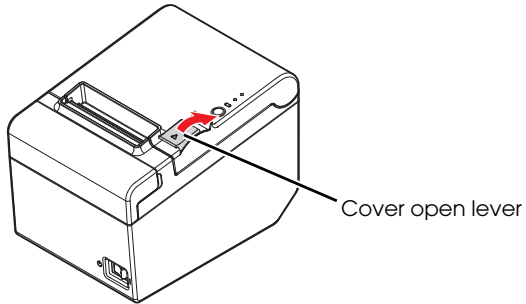
4. Align the holes in the wall hanging bracket with the screws on the wall, and hook it securely.



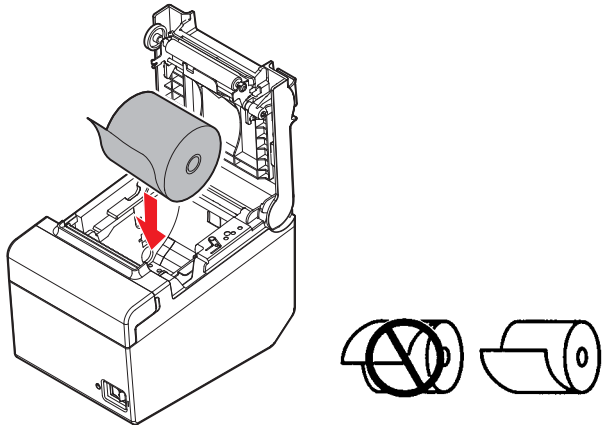
## ***Installing Roll Paper***

Follow the steps below to install the roll paper.

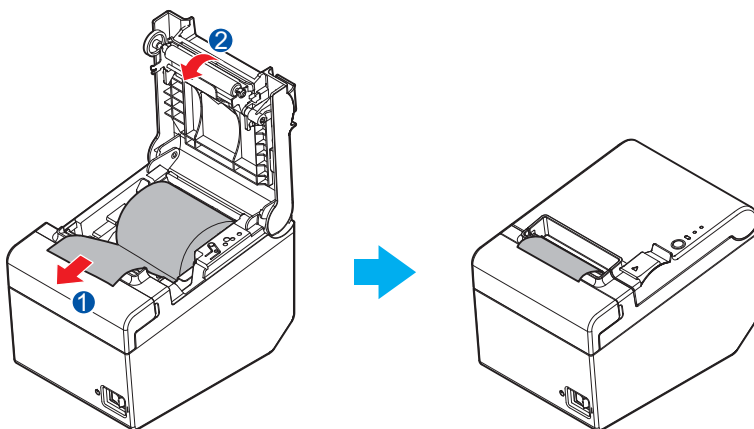
1. Use the cover open lever to open the roll paper cover.



2. Remove the used roll paper core if any, and insert the roll paper. The correct direction of the paper is shown in the illustration below.



3. Pull out some paper, and close the roll paper cover.  
When the printer power is on, the roll paper is automatically cut.



## Changing the Paper Width

You can change the paper width from 80 to 58 mm by installing the included 58-mm width paper guide plate. Follow the steps below to change the paper width.

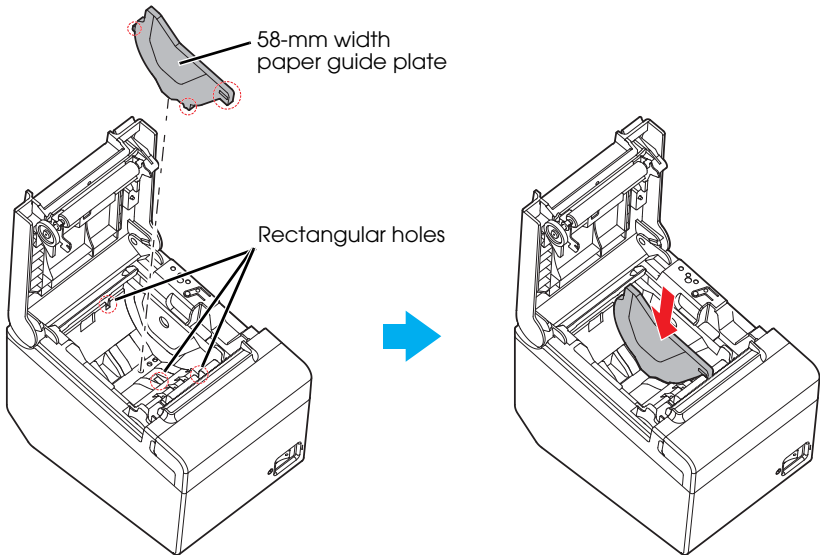


### **CAUTION:**

*Once you change the paper width from 80 to 58 mm, you cannot change it back to 80 mm.*

*When changing the paper width, be sure to make the setting for the paper width with the utility software for the TM-T20II.*

1. Open the roll paper cover.
2. Align 3 projections on the 58-mm width paper guide plate with the rectangular holes in the printer, and push it downwards.



3. Install the roll paper.
4. Close the roll paper cover.

---

## Attaching Cover on the Power Switch

The enclosed power switch cover ensures that the power switch is not pressed accidentally.

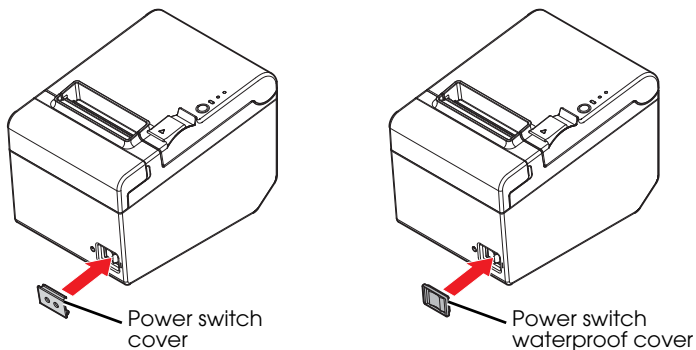
You can turn the power switch on and off by inserting a sharp-pointed object in the holes in the power switch cover. To detach the cover, also use a sharp-pointed object.

A waterproof cover for the power switch is also included.

To use these covers, install them as shown in the illustration below.

### **WARNING:**

*If an accident occurs with the power switch cover attached, unplug the power cord immediately. Continued use may cause fire or shock.*



---

## Troubleshooting

---

### No lights on the control panel

---

Check whether the power supply cable is correctly connected to the printer and the socket.

---

### Error LED on with no printing

---

- Check whether the roll paper cover is closed. If it is open, close it.
- If the Paper LED is **on**, check whether the roll paper is correctly installed and any roll paper remains.

---

### Error LED flashing with no printing

---

- Check whether a paper jam has occurred. If paper is jammed, remove the jammed paper referring to the description below and install the roll paper correctly.
- Printing stops if the head overheats and resumes automatically when it cools.
- For other cases, turn the printer off, and after 10 seconds, back on.



---

## When a paper jam occurs

---

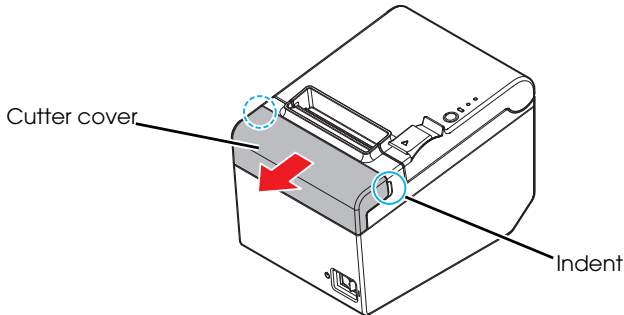
When a paper jam occurs, never pull out the paper forcibly. Open the roll paper cover and remove the jammed paper.

  **CAUTION:**

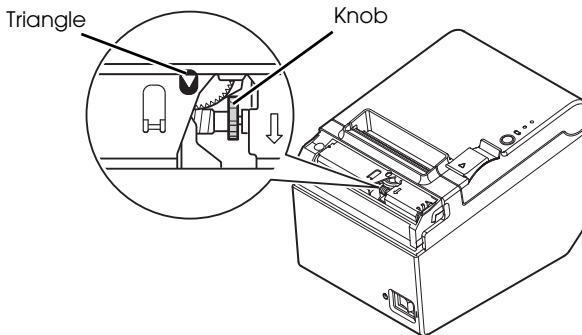
*Do not touch the thermal head, because it can be very hot after printing.*

If the roll paper cover does not open, follow the steps below.

1. Turn off the printer.
2. Put the fingers in the indents in both sides of the cutter cover, and slide it toward the arrow in the illustration below to remove it.



3. Turn the knob until you see a triangle in the opening. This returns the cutter blade to the normal position. See the operating instructions on the back of the cutter cover.



4. Install the cutter cover.
5. Open the roll paper cover and remove the jammed paper.

---

## Cleaning

### Cleaning the Printer Case

Be sure to turn off the printer, and wipe the dirt off the printer case with a dry cloth or a damp cloth.



**CAUTION:**

*Never clean the product with alcohol, benzine, thinner, or other such solvents. Doing so may damage or break the parts made of plastic and rubber.*

### Cleaning the Thermal Head



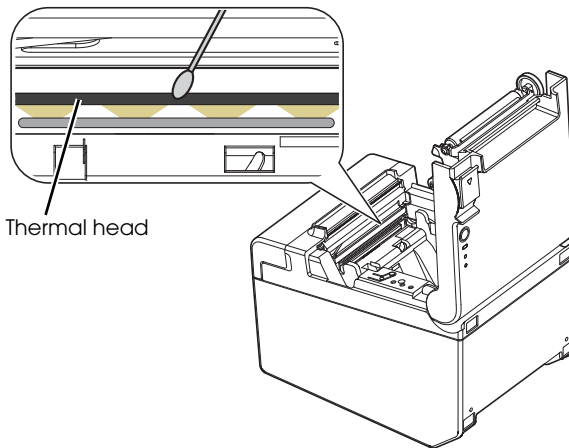
**CAUTION:**

*After printing, the thermal head can be very hot. Be careful not to touch it and to let it cool before you clean it.*

*Do not damage the thermal head by touching it with your fingers or any hard object.*

Turn off the printer, open the roll paper cover, and clean the thermal elements of the thermal head with a cotton swab moistened with an alcohol solvent (ethanol or IPA).

Epson recommends cleaning the thermal head periodically (generally every 3 months) to maintain receipt print quality.



# Specifications

		80 mm paper width	58 mm paper width <sup>*</sup>
<b>Printing method</b>		Thermal line printing	
<b>Printing speed</b>		200 mm/s {7.87"/s} max.; 53.3 lps {3.75 mm {0.15"} feed} Ladder bar code and 2D symbol: 100 mm/s {3.93"/s}	
		The above speed values are approximate. The values are when the printer prints with density "Normal" at 25°C {77°F}. Speed is adjusted automatically depending on the voltage applied and head temperature.	
<b>Roll paper (single-ply)</b>	<b>Width</b>	79.5 mm ± 0.5 mm {3.13" ± 0.02"}	57.5 mm ± 0.5 mm {2.26" ± 0.02"}
	<b>Diameter</b>	Maximum outside diameter: 83 mm {3.27"}	
	<b>Spool</b>	Spool diameter: Inside: 12 mm {0.47"}; Outside: 18 mm {0.71"}	
<b>Thermal paper type</b>		NTP080-80	NTP058-80
<b>Interface</b>		Serial: RS-232 Ethernet: 10BASE-T/100BASE-TX USB (Type B): Compliance: USB 2.0 Communication speed: Full-speed (12 Mbps) USB (Type A): for wireless LAN unit	
<b>Current consumption (at 24V)</b>		1.5 A	
<b>Temperature</b>		Operating: 5 to 45°C {41 to 113°F} Storage: -10 to 50°C {14 to 122°F}, except for paper	
<b>Humidity</b>		Operating: 10 to 90% RH Storage: 10 to 90% RH, except for paper	
<b>Overall dimensions</b>		140 × 199 × 146 mm {5.75 × 5.51 × 7.83"} (W × D × H)	
<b>Weight (mass)</b>		Approx. 1.7 kg {3.74 lb}	

lps: lines per second      dpi: dots per 25.4 mm (dots per inch)

\*: The values are those when the paper width is changed to 58 mm by installing the 58-mm width paper guide plate and making the paper width setting with utility software for the TM-T20II.

For how to install the 58-mm width paper guide plate, see "Changing the Paper Width" on page 15.

## Default Delay Times for Power Management for Epson Products

This product will enter low power (sleep) mode after a period of nonuse. The time interval has been set at the factory to ensure that the product meets Energy Star standards\* of energy efficiency and cannot be modified by the consumer.

\*: Not all models are ENERGY STAR® qualified. Qualified models have the ENERGY STAR mark affixed on the unit.

The power consumption in the sleep mode and power off mode is described below.

		USB model	Serial model	Ethernet model
<b>AC 230V/50 Hz</b>	<b>Sleep mode</b>	1.2 W	0.91 W	2.7 W
	<b>Power off mode</b>	0.39 W	0.39 W	0.39 W
<b>AC 115V/60 Hz</b>	<b>Sleep mode</b>	1.1 W	0.81 W	2.6 W
	<b>Power off mode</b>	0.30 W	0.30 W	0.30 W

# WEEE (Waste Electrical and Electronic Equipment) Directive

This information only applies to customers in the European Union, according to Directive 2012/19/EU OF THE EUROPEAN PARLIAMENT AND OF THE COUNCIL OF 04 July 2012 on waste electrical and electronic equipment (WEEE) and legislation transposing and implementing it into various national legal systems, and to customers in countries in Europe, Middle East and Africa (EMEA) where they have implemented equivalent regulations.

For other countries, please contact your local government to investigate the possibility of recycling your product.



## English

The crossed out wheeled bin label that can be found on your product indicates that this product should not be disposed of via the normal household waste stream. To prevent possible harm to the environment or human health please separate this product from other waste streams to ensure that it can be recycled in an environmentally sound manner. For more details on available collection facilities please contact your local government office or the retailer where you purchased this product.

## Deutsch

Der Aufkleber mit durchgekrenzter Mülltonne an diesem Produkt weist darauf hin, dass dieses Produkt nicht im normalen Hausmüll entsorgt werden darf. Zur Vermeidung einer möglichen Beeinträchtigung der Umwelt oder der menschlichen Gesundheit und um zu gewährleisten, dass es in einer umweltverträglichen Weise recycelt wird, darf dieses Produkt nicht in den Hausmüll gegeben werden. Informationen zu Entsorgungseinrichtungen erhalten Sie bei der zuständigen Behörde oder dem Geschäft, in dem Sie dieses Produkt erworben haben.

## Français

L'étiquette apposée sur ce produit et représentant une poubelle barrée indique que le produit ne peut être mis au rebut avec les déchets domestiques normaux. Afin d'éviter d'éventuels dommages au niveau de l'environnement ou sur la santé, veuillez séparer ce produit des autres déchets de manière à garantir qu'il soit recyclé de manière sûre au niveau environnemental. Pour plus de détails sur les sites de collecte existants, veuillez contacter l'administration locale ou le détaillant auprès duquel vous avez acheté ce produit.

## Italiano

L'etichetta con il contenitore barrato applicata sull'imballo indica che il prodotto non deve essere smaltito tramite la procedura normale di smaltimento dei rifiuti domestici. Per evitare eventuali danni all'ambiente e alla salute umana, separare questo prodotto da altri rifiuti domestici in modo che possa essere riciclato in base alle procedure di rispetto dell'ambiente. Per maggiori dettagli sulle strutture di raccolta disponibili, contattare l'ufficio competente del proprio comune o il rivenditore del prodotto.

## Español

La etiqueta de un contenedor tachado que hallará en su producto indica que este producto no se puede tirar con la basura doméstica normal. Para impedir posibles daños medioambientales o para la salud, separe este producto de otros canales de desecho para garantizar que se recicle de una forma segura para el medio ambiente. Para más información sobre las instalaciones de recolección disponibles, dirijase a las autoridades locales o al punto de venta donde adquirió este producto.

## Português

A etiqueta com o símbolo de um contentor de lixo traçado com uma cruz que aparece no produto indica que este produto não deve ser deixado fora juntamente com o lixo doméstico. Para evitar possíveis danos no ambiente ou na saúde pública, por favor separe este produto de outros lixos; desta forma, terá a certeza de que pode ser reciclado através de métodos não prejudiciais ao ambiente. Para obter mais informações sobre os locais de recolha de lixo disponíveis, contacte a sua junta de freguesia, câmara municipal ou local onde comprou este produto.

## Nederlands

Op uw product is een label van een rolcontainer met een kruis erdoor aangebracht. Dit label wil zeggen dat dit product niet bij het normale huishoudelijk afval mag worden ingezameld. Om eventuele schade aan het milieu of de gezondheid van de mens te voorkomen moet dit product gescheiden van al het ander afval worden ingezameld, zodat het op een verantwoorde wijze kan worden verwerkt. Voor meer informatie over uw lokale afvalinzameling wendt u zich tot uw gemeente of de leverancier bij wie u dit product hebt gekocht.

## Dansk

Etiketten med et kryds over skraldespanden på hjul, der sidder på produktet, angiver, at dette produkt ikke må bortskaffes sammen med almindeligt husholdningsaffald. For at beskytte miljøet og helbred skal dette produkt bortskaffes separat, så det kan genbruges på en måde, der er god for miljøet. Kontakt de lokale myndigheder eller den forhandler, hos hvem du har købt produktet, vedrørende steder, hvor du kan aflevere produktet.

## Suomi

Laitte on merkitty jäteastia-symbolilla, jonka yli on vedetty rasti. Tämä tarkoittaa, ettei laitetta saa hävittää normaalin talousjätteen mukana. Älä hävitä laitetta normaalin jätteen seassa vaan varmista, että laite kierrätetään ympäristöystävällisellä tavalla, jottei ympäristölle tai ihmisille aiheudu vahinkoa. Lisätietoja kierrätyksestä ja keräyspisteistä saa ottamalla yhteyttä paikallisiin viranomaisiin tai jälleenmyyjään, joita laite ostettiin.

## Svenska

Symbolen med en överkorsad soptunna innebär att denna produkt inte får kastas i vanligt hushållsavfall. För att skydda miljön ska denna produkt inte kastas tillsammans med vanligt hushållsavfall utan lämnas för återvinning på tillbörligt sätt. För mer information om uppsamlingsplatser kontakta din lokala myndighet eller den återförsäljare där du har köpt produkten.

## Norsk

Det er krysset over merket av beholderen på hjul som vises på produktet, som angir at dette produktet ikke skal kastes sammen med vanlig husholdningsavfall. Hold dette produktet atskilt fra annet avfall slik at det kan resirkuleres på en miljømessig forsvarlig måte og dermed forhindre eventuell skade på miljøet eller helse. Hvis du vil ha mer informasjon om hvor produktet kan leveres inn, kontakter du kommunale myndigheter eller forhandleren der du kjøpte dette produktet.

## Česky

Štítek s přeškrtnutým odpadkovým košem na kolečkách, který lze nalézt na výrobku, označuje, že tento produkt se nemá likvidovat s běžným domovním odpadem. V zájmu ochrany životního prostředí a lidského zdraví zlikvidujte tento výrobek jako tříděný odpad, který se recykluje způsobem šetrným k životnímu prostředí. Podrobnější informace o sběrných dvorech pro tříděný odpad získáte na obecním úřadě nebo u prodejce, u kterého jste příslušný výrobek zakoupili.

## Magyar

A termékén található, áthúzott szemetest ábrázoló címke azt jelzi, hogy ezt a terméket nem szabad a rendes háztartási szeméttel együtt kidobni. Az esetleges környezeti- vagy egészségkárosodást megelőzendő, kérjük, hogy ezt a terméket a többi szeméttől elkülönítve helyezze el, és biztosítsa, hogy azt környezetbarát módon újrahasznosítsák. A rendelkezésére álló begyűjtő létesítményekről kérjük tájékozódjon a megfelelő helyi állami szerveknél vagy a viszonteladónál, ahol a terméket vásárolta.

## Polski

Symbol przekreślonego kosza znajdujący się na produkcie oznacza, że nie może on być utylizowany razem z normalnymi odpadami z gospodarstwa domowego. Aby zapobiec potencjalnemu zagrożeniu dla środowiska lub zdrowia ludzkiego, produkt ten należy odseparować od reszty odpadów z gospodarstwa domowego i utylizować w ekologicznie właściwy sposób. Szczegółowe informacje na temat punktów zbiórki odpadów można uzyskać w lokalnych urzędach lub u sprzedawcy danego produktu.

## Slovensky

Štítko s přeškrtnutým odpadkovým košom na kolieskach, ktorý je možné nájsť na výrobku, označuje, že tento produkt sa nemá likvidovať s bežným komunálnym odpadom. V záujme ochrany životného prostredia a ľudského zdravia zlikvidujte tento výrobok ako triedený odpad, ktorý sa recykluje spôsobom šetrným k životnému prostrediu. Podrobnejšie informácie o zberných dvoch pre triedený odpad získate na obecnom úrade alebo u predajcu, u ktorého ste príslušný výrobok zakúpili.

## Slovenski

Prečrtan koš za smeti na etiketi, katero lahko najdete na vašem izdelku, pomeni, da tega izdelka ne smete odvreči podobno kot vse ostale smeti. Da bi preprečili morebitne škodljive vplive na okolje ali zdravje, ločite izdelek od vseh ostalih in poskrbite, da bo recikliran na okolju prijazen način. Natančne informacije o tem, kje se nahajajo primerna odlagališča, pridobite v vašem krajevnem uradu ali pri prodajalcu.

## Eesti

Teie tootele kleebitud tähis, mis kujutab ratastega prügikonteinerit, millele on rist peale tõmmatud, keelab toote kõrvaldamise majapidamisjäätmetega samasel viisil. Keskkonnale või inimeste tervisele tekitatava võimaliku kahju vältimiseks eraldage toote teistest jäätmetest, et tagada selle kindluskasutamise keskkonnasäästlikul viisil. Kui soovite saada rohkem teavet võimalike kogumispunktide kohta, võite ühendust kohaliku omavalituse ametnikuga või teile toote müünud jaemüüjaga.

## Lietuviški

Užbraukta ratuota šiukšliadėžės etiketė, kurią rasite ant jūsų produkto, reiškia, kad šis produktas neturėtų būti išmestas kartu su įprastinėmis buitinėmis šiukšlėmis. Siekiant išvengti galimos žalos aplinkai bei žmonių sveikatai, prašome atskirti šį produktą nuo kitų atliekų, ir įstikinti, kad jis būtų perdirbtas aplinkai nepavojingiu būdu. Jei reikia išsamesnės informacijos apie atliekų surinkimo ypatumus, prašome kreiptis į savo vietos valdžios įstaigas arba į mažmeninį pardavėją, iš kurio jūs įsigijote šį produktą.

## Latviski

Markējums ar pārsvītrotu atkritumu tvertni uz rītenīšiem, kas redzams uz izstrādājuma, norāda, ka šo izstrādājumu nedrīkst likvidēt kopā ar parastajiem sadzīves atkritumiem. Lai novērstu iespējamu kaitējumu videi vai cilvēku veselībai, lūdz, atdaliet šo izstrādājumu no citiem atkritumiem, tādējādi nodrošinot tā atbilstošu pārstrādi videi drošā veidā. Papildinformācijai par pieejamajām atkritumu savākšanas iespējām, lūdz, sazināties ar vietējo pašvaldību vai mazumtirgotāju, no kura jūs iegādājāties šo izstrādājumu.

## Ελληνικά

Η διαγραμμένη ετικέτα του τροχοφόρου κάδου απορριμμάτων που θα βρείτε πάνω στο προϊόν σας υποδεικνύει ότι αυτό το προϊόν δεν πρέπει να απορριπτεί μέσω του κανονικού δικτύου αποκομιδής οικιακών απορριμμάτων. Για να αποτρέψετε πιθανές επιπτώσεις στο περιβάλλον ή την ατομική υγεία, παρακαλούμε να διαχωρίσετε αυτό το προϊόν από άλλα δίκτυα αποκομιδής ώστε να διασφαλιστεί ότι είναι δυνατή η ανακύκλωση του με έναν περιβαλλοντικά θεμιτό τρόπο. Για περισσότερες πληροφορίες σχετικά με τις διαθέσιμες δυνατότητες συλλογής απορριμμάτων, παρακαλούμε να επικοινωνήσετε με την τοπική κυβερνητική αρχή ή το κατάστημα λιανικής από όπου αγοράσατε αυτό το προϊόν.

## Türkçe

Ürününüzün üzerinde bulunan çarpi işaretli tekerlekli kutu etiketi, bu ürünün normal ev atık sistemi vasıtasıyla elden çıkarılmaması gerektiğini gösterir. Çevreye ve insan sağlığına zarar veremeyi önlemek için, lütfen bu ürünü çevreye zarar veremeyecek şekilde geri dönüştürme tabii tutulmak üzere diğer atıklarından ayırın. Mevcut toplama tesisleri ile ilgili ayrıntılı bilgi edinmek için, yerel devlet makamlarıyla veya bu ürünü satın aldığınız satıcıyla irtibata geçin.

## Română

Eticheta arătând un coș de gunoi tăiat cu două linii încrucișate, care poate fi găsită pe produs, indică faptul că acesta nu trebuie aruncat la gunoi laolaltă cu gunoii menajer. Pentru a evita posibila degradare a mediului înconjurător sau a sănătății umane, colectați separat acest produs de gunoii menajer pentru a vă asigura că poate fi reciclat într-un mod ecologic. Pentru mai multe detalii privind punctele disponibile de colectare, contactați autoritățile locale sau comerciantul de la care ați achiziționat acest produs.

## Български

Етикетът, представяващ зачертано кошче за боклук в кръг, който можете да видите върху вашия продукт, означава, че този продукт не трябва да се изхвърля заедно с обикновените домакински отпадъци. За предпазване от евентуални щети върху околната среда или човешкото здраве, моля, отделете този продукт от останалите отпадъци, за да се гарантира, че той ще бъде рециклиран по екологично съобразен начин. За повече информация относно наличните места за събиране на отпадъци, моля, свържете се с местните власти или търговеца, от когото сте закупили този продукт.

## Hrvatski

Oznaka prekržižene kante za otpad koja se nalazi na vašem proizvodu znači da se ovaj proizvod ne smije odlagati u obično kućno smeće. Da bi se spriječili negativni učinci na okoliš ili ljudsko zdravlje odvojite ovaj proizvod od ostalog otpada da bi se osiguralo njegovo recikliranje na ekološki prihvatljiv način. Više pojedinosti o dostupnim reciklažnim dvorištima zatražite u uredu lokalne samouprave ili od prodavača od kojeg ste kupili ovaj proizvod.

## Македонски

Прецртаната ознака во круг за кантата што е прикажана на производот посочува дека овој производ не смеа да се фрла со редовниот домашен отпад. За да спречите можни штети за животната средина или по здравјето на луѓето, одвојте го овој производ од другиот домашен отпад за да обезбедите негово рециклирање на начин којшто нема да ѝ наштети на животната средина. Контактирајте со општинската канцеларија или со продавачот каде што го купувате овој производ за повеќе детали околу достапните собирни локации.

## Srpski

Okrugla oznaka sa precrtanom kantom za odlaganje otpada koja se nalazi na proizvodu znači da se ovaj proizvod u priložene baterije ne smeju odlagati u otpad na uobičajen način. Da bi se sprečilo štetan uticaj na okolinu ili na zdravlje ljudi, odvojite ovaj proizvod i njegove baterije od ostalog otpada kako bi se oni reciklirali na ekološki prihvatljiv način. Za više detalja o mestima za reciklažu obratite se lokalnoj samoupravi ili prodavcu od koga ste kupili ovaj proizvod.