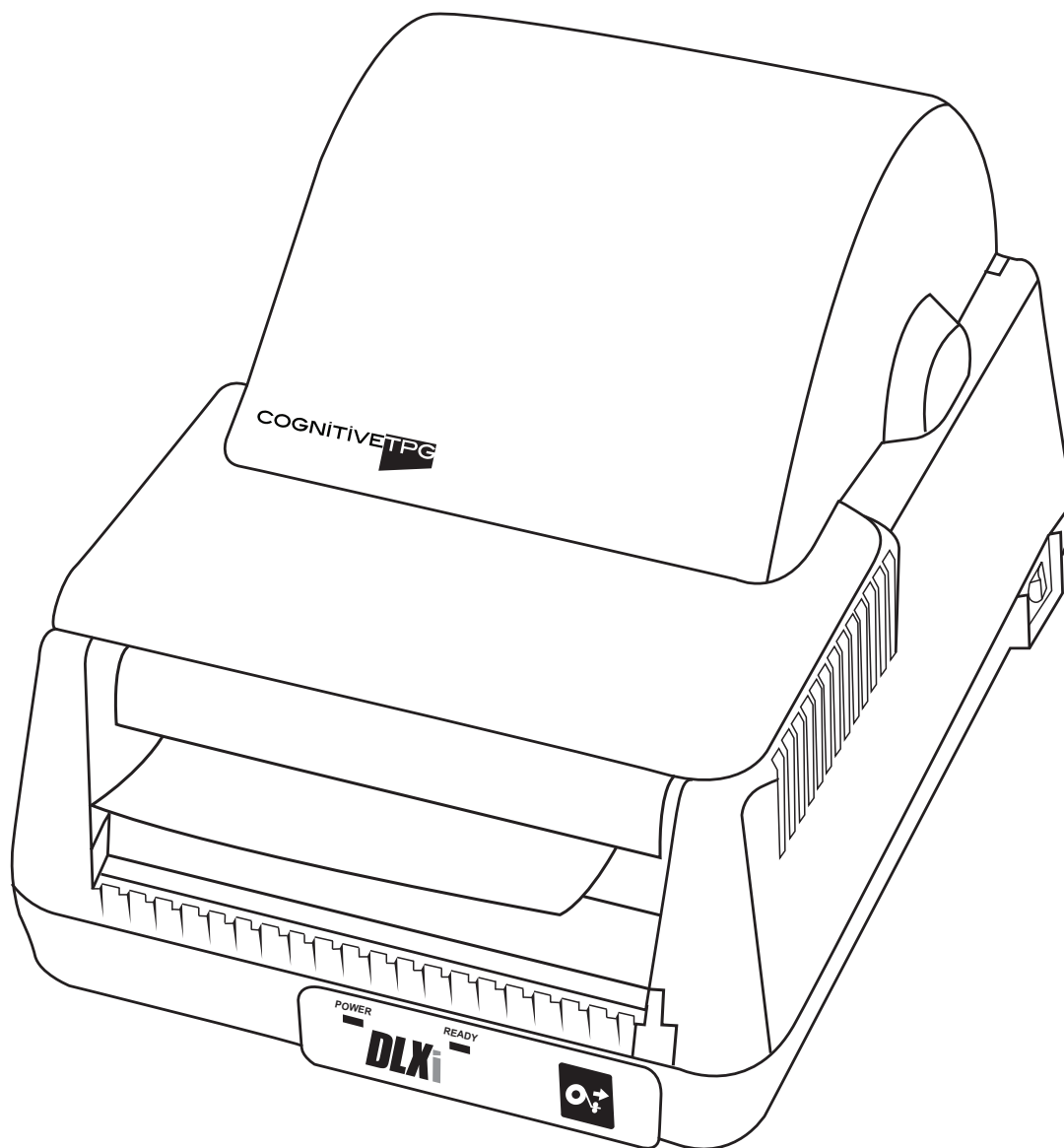


# DLXi Quick Start Guide

**“Built to Last... Designed to Connect.”**

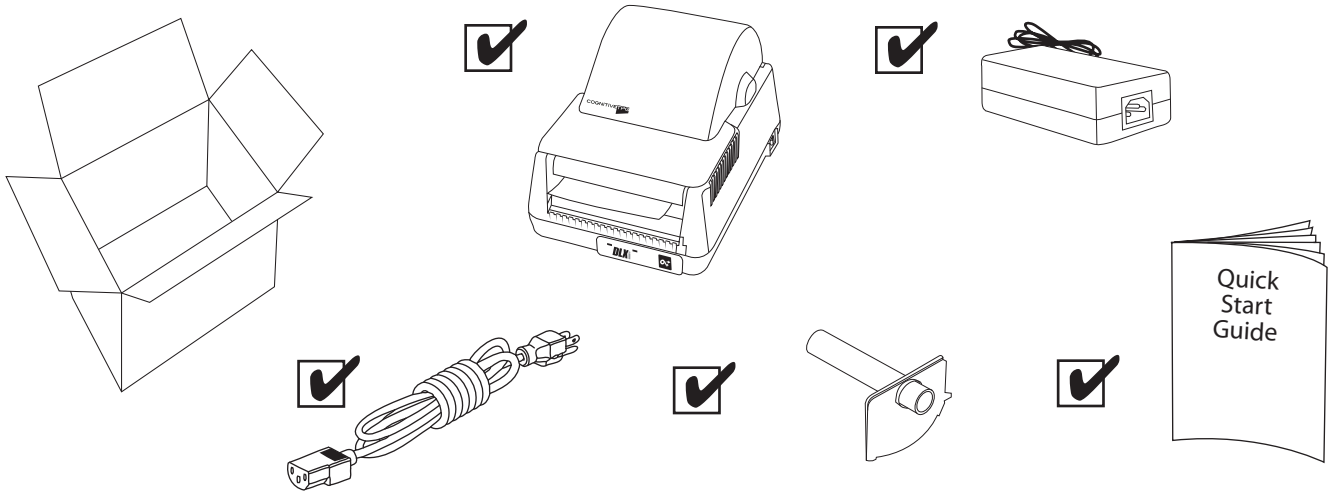


## CognitiveTPG Headquarters

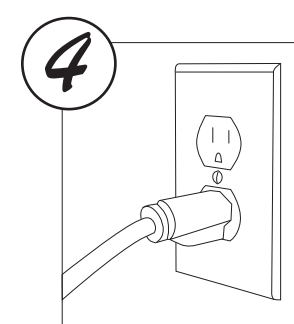
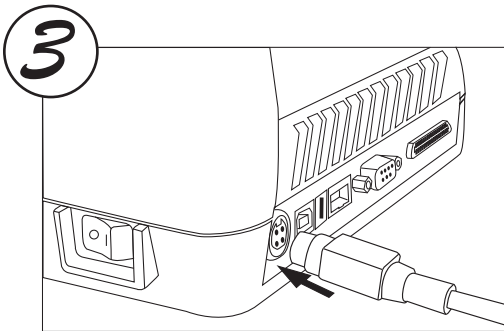
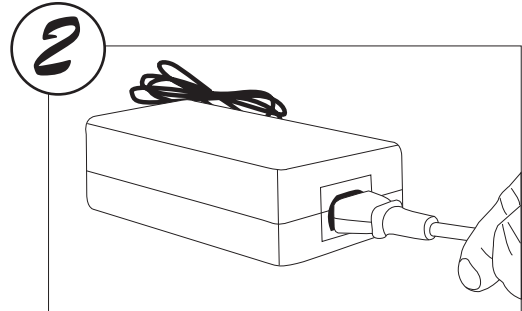
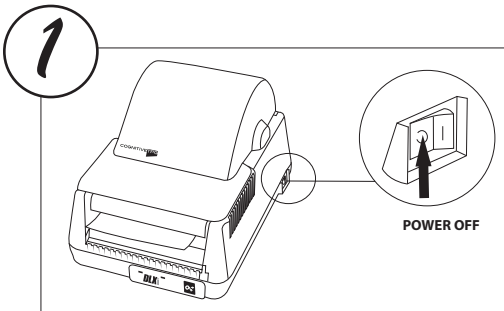
25 Tri-State International, Suite 200, Lincolnshire, IL 60069  
Toll Free: 800-732-8950 Phone: 847-383-7900 Fax: 847-383-7949  
[www.CognitiveTPG.com](http://www.CognitiveTPG.com)  
Copyright 2011 CognitiveTPG. All Rights Reserved.

**COGNITIVE TPG**

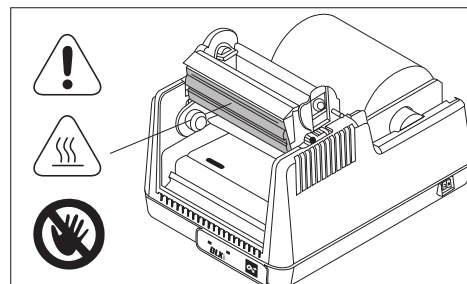
## PACKAGE CONTENTS:



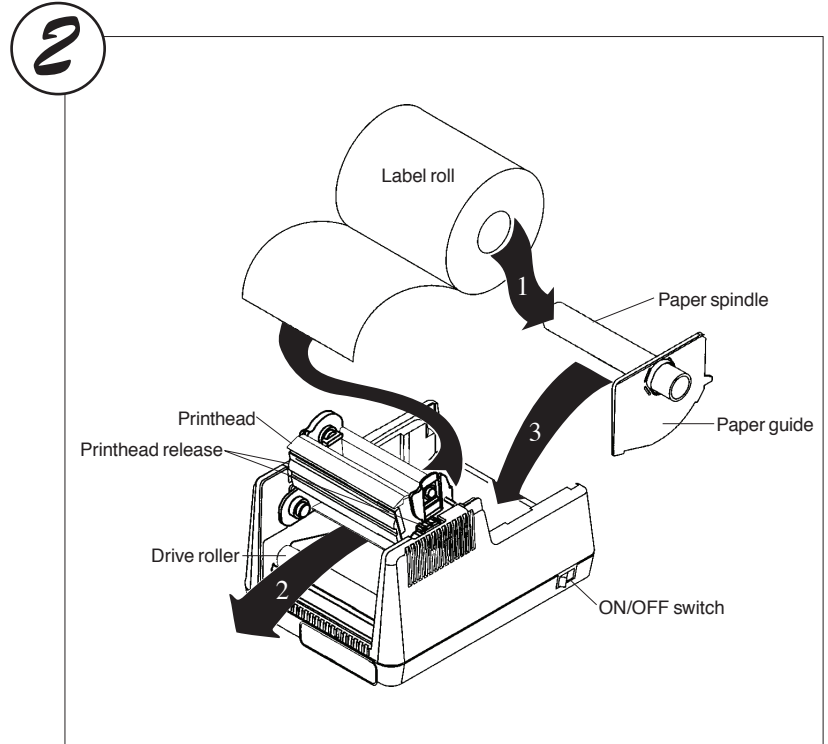
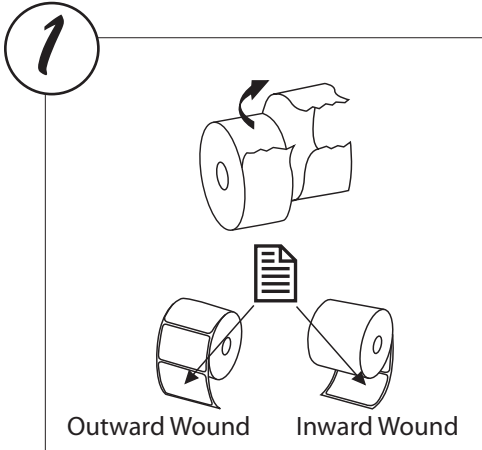
## Connecting Power to the DLXi:



## CAUTION!:



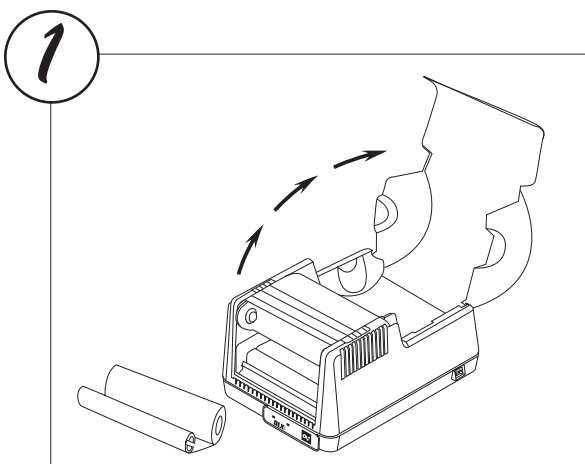
## Loading Media:



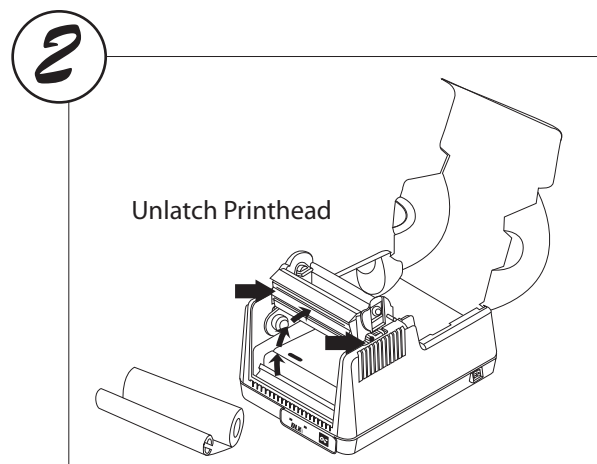
Thermal Transfer (TT) model shown. Printer is shown with media cover removed for clarity

For **direct thermal** printers (DBDxx-xxxx-xxx), go to the "Connecting Data Cable" section of this Guide. For **thermal transfer** printers (DBTxx-xxxx-xxx), proceed to the "Loading Ribbon" section of this Guide.

## Loading Ribbon (Thermal Transfer Printers):

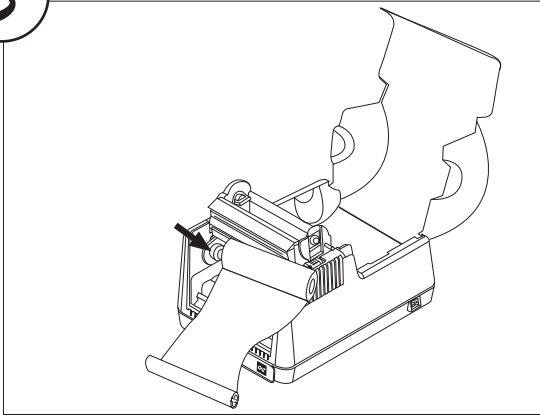


**NOTE:** Text on the ribbon leader should be face down in front of the printer.

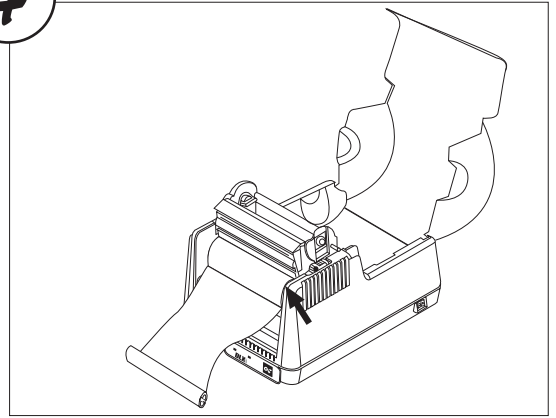


## Loading Ribbon (continued):

3

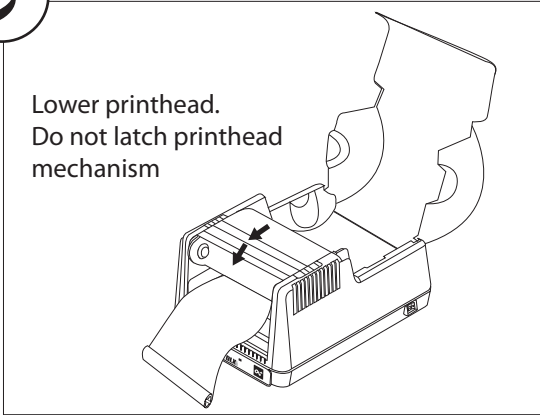


4

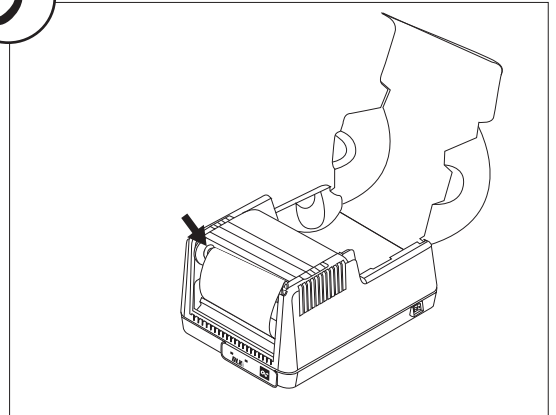


5

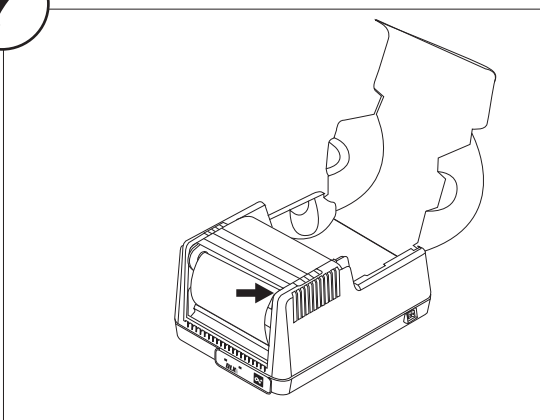
Lower printhead.  
Do not latch printhead  
mechanism



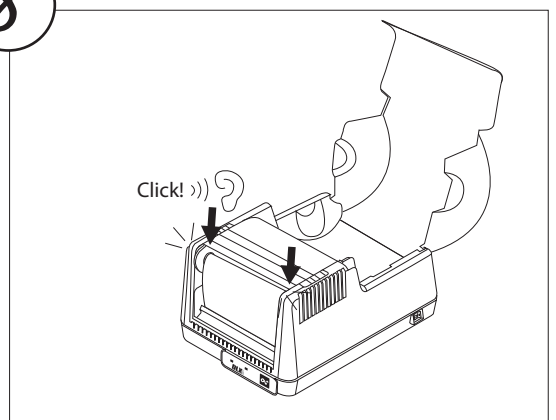
6















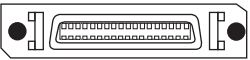









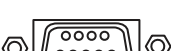

7








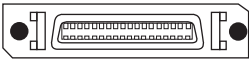
8



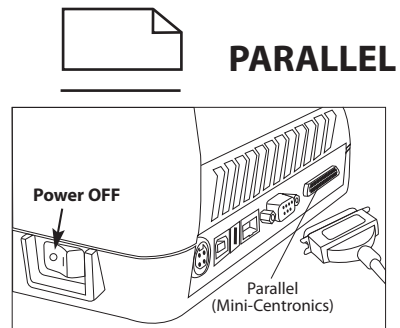
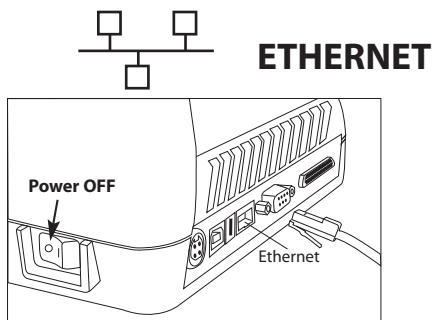
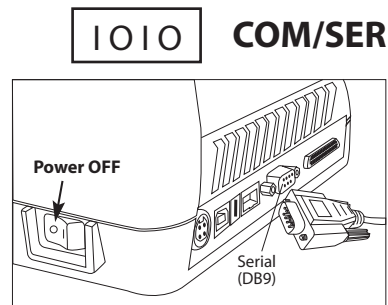
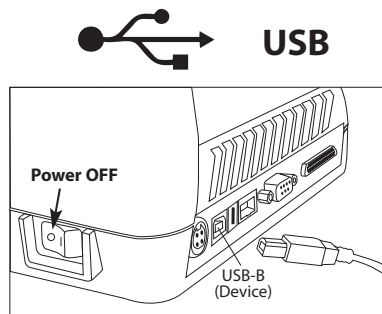
# DLXi Communication Interfaces:

	2"					4"
2" USB/Ethernet/ Serial						
2" USB/Serial						
2" USB/Parallel						
4" USB/Ethernet/ Serial/Parallel						
4" USB/Serial/ Parallel						

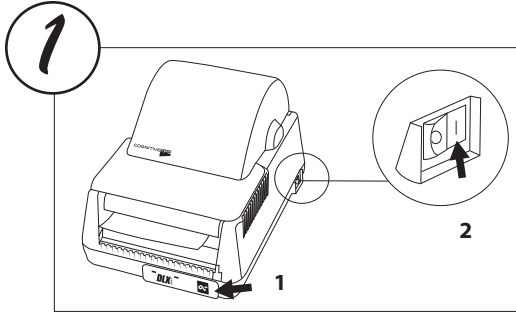
  

<b>KEY</b>						
	DC	USB-B	USB-A	ETHERNET	SERIAL 9-PIN (DTE Device)	MINI-CENTRONICS Parallel 1284-C

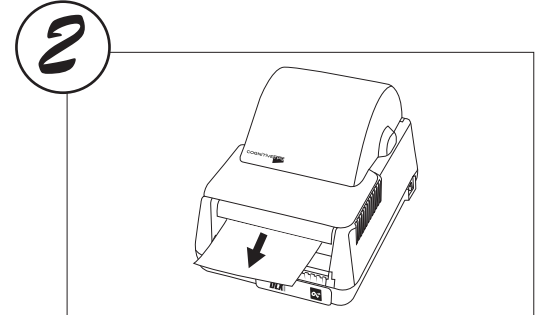
## Connecting Data Cable:



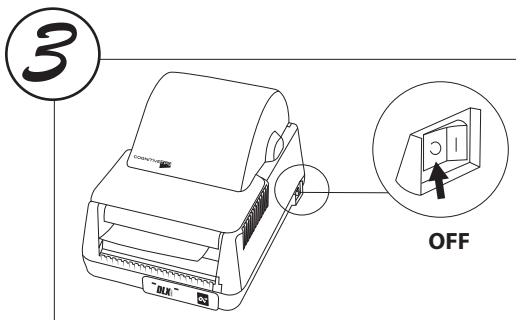
## Self-Testing:



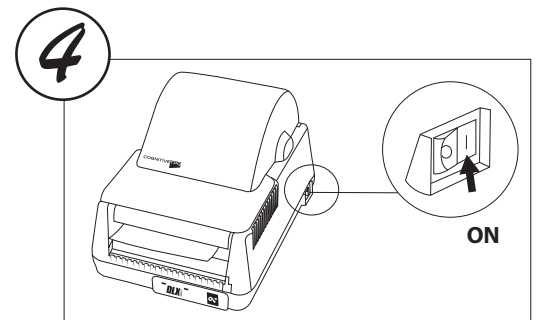
Press and hold the FEED button while turning printer ON



Release FEED button when printing begins. Printer will conduct a self-test and print a configuration label



Power OFF to end hexadecimal dump mode



Power ON for normal operation

## Warranty Information:

Please register your printer to activate your warranty.  
Go to [www.CognitiveTPG.com](http://www.CognitiveTPG.com) and click on Warranty Registration.

## Helpful Information:

To learn more about CognitiveTPG printers and approved media, please contact your local reseller or CognitiveTPG:

Website: [www.CognitiveTPG.com](http://www.CognitiveTPG.com)

Direct: +1.847.383.7900

Toll Free: +800.732.8950

For **technical support**, please call 607.274.2500 or 800.732.8950, Option 4.

### I AM LOOKING FOR

- ▶ Media Selection Tool
- ▶ Compliance & Certification
- ▶ POS Printers
- ▶ Barcode Label Printers
- ▶ Hybrid Printers
- ▶ Printer Drivers
- ▶ Supplies For Printers
- ▶ FAQs
- ▶ Warranty Registration
- ▶ Resource Library
- ▶ Product Documentation
- ▶ RMA Info

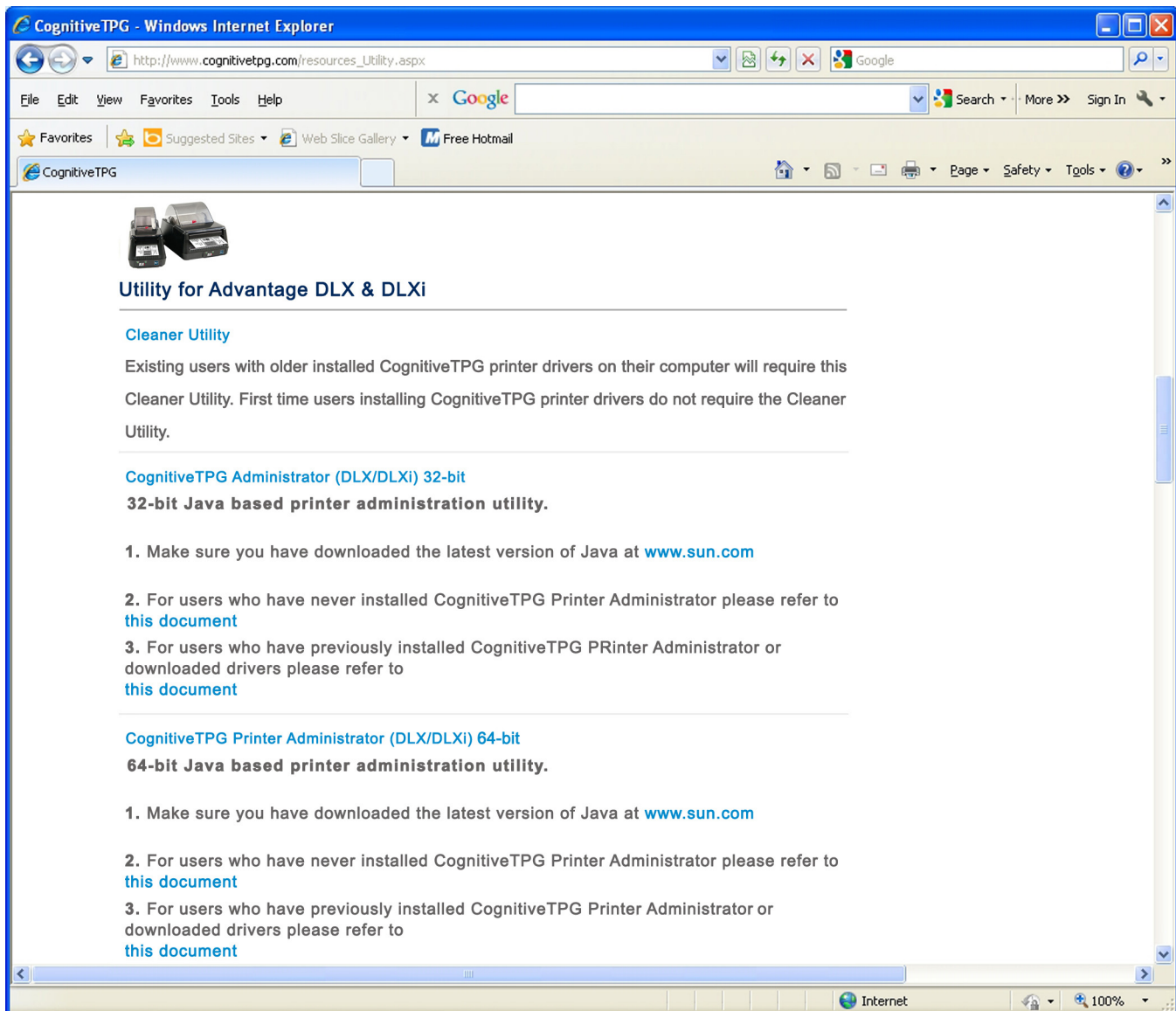
## Installing the DLXi:

**Note:** To change printer settings, you can download the CognitiveTPG Printer Administrator Utility (see Downloading CognitiveTPG Printer Administrator below). To make changes without downloading the Utility, see Changing Printer Settings Using a USB Flash Drive (memory stick) in the DLXi User's Guide.

Go to [www.CognitiveTPG.com](http://www.CognitiveTPG.com) to download the detailed DLXi User's Guide, Drivers, and other information.

### Downloading CognitiveTPG Printer Administrator

In order to easily make printer configuration changes, install the CognitiveTPG Printer Administrator Utility. Follow the CognitiveTPG Printer Administrator installation instructions on [http://www.CognitiveTPG.com/resources\\_utility.aspx](http://www.CognitiveTPG.com/resources_utility.aspx) for the DLXi printer. You can also follow this path: <http://www.CognitiveTPG.com> > Downloads > Utility. This process will also install Windows drivers for the printer on your computer. Note that USB, Ser/Com, or Ethernet connection is required for configuring your printer via this utility.



### Warning – Shock Hazard and Static Discharge

Never operate the printer in a location where it can get wet. Personal injury could result. The discharge of electrostatic energy that accumulates on the surface of the human body or other surfaces can damage or destroy the printhead or electronic components used in this device. DO NOT TOUCH the printhead or the electronic components under the printhead carriage.

### Caution – Printer Setup and Handling

When installing or modifying the printer setup or configuration, ALWAYS TURN THE POWER OFF before: (1) connecting any cables, (2) performing any cleaning or maintenance operations, or (3) moving the printer.

### European Compliance

This is a Class A product. In a domestic environment, this product may cause radio interference, in which case the user may be required to take adequate measures. RoHS COMPLIANCE: 2002/95/EC on the Restriction of the Use of certain Hazardous Substances in Electrical and Electronic Equipment (RoHS).

### WEEE:

Directive 2002/96/EC on Waste Electrical and Electronic Equipment (WEEE). For WEEE recycling and recovery information, refer to the CognitiveTPG Web site.

### Federal Communications Commission (FCC) Radio Frequency Interference Statement Warning

Changes or modifications to this unit not expressly approved by the party responsible for compliance could void the user's authority to operate the equipment.

**Note:** This equipment has been tested and found to comply with the limits for a Class A digital device, pursuant to Part 15 of the FCC Rules. These limits are designed to provide reasonable protection against harmful interference when the equipment is operated in a commercial environment. This equipment generates, uses, and can radiate radio frequency energy and, if not installed and used in accordance with the instruction manual, may cause harmful interference to radio communications. Operation of this equipment in a residential area is likely to cause harmful interference in which case the user will be required to correct the interference at his own expense.

### Information to the User

This equipment must be installed and used in strict accordance with the manufacturer's instructions. However, there is no guarantee that interference to radio communications will not occur in a particular commercial installation. If this equipment does cause interference, which can be determined by turning the equipment off and on, the user is encouraged to contact CognitiveTPG, Inc. immediately. CognitiveTPG, Inc. is not responsible for any radio or television interference caused by unauthorized modification of this equipment or the substitution or attachment of connecting cables and equipment other than those specified by CognitiveTPG, Inc. The correction of interferences caused by such unauthorized modification, substitution or attachment will be the responsibility of the user. In order to ensure compliance with the Product Safety, FCC and CE marking requirements, you must use the power supply, power cord, and interface cable which are sold for use with this product or which meet the following parameters:

This product has been tested for Safety and EMC Compliance as indicated below and is intended for use only with the Power Supply and cables included. If using the parallel interface, please add the enclosed clamp-on ferrite to the parallel cable being used and secure it in place with the cable ties supplied.

### Industry Canada (IC) Radio Frequency Interference Statement

This Class A digital apparatus meets all requirements of the Canadian Interference-Causing Equipment Regulations.  
Cet appareil numérique de la classe A respecte toutes les exigences du Règlement sur le matériel brouilleur du Canada.

#### DECLARATION OF CONFORMITY

**Type of Equipment:** Information Technology Equipment – Printer

**Model:** DBDXX-XXXX-XXXX

**Model:** DBTXX-XXXX-XXXX (X = any alphanumeric character)

**Applicable EU Directives:**

**2004/108/EC** (electromagnetic compatibility directive)

**2006/95/EC** (low voltage directive for product safety)

**Harmonized Standards:**

**EN 55024** (1998/A1:2001/A2:2003) Information Technology Equipment Immunity Characteristics

**EN 55022** (1998/A1:2001/A2:2003) EMC, Class A, Limits and Methods of Measurement of Interference Characteristics of IT Equipment

**IEC 60950-1** (2005) Second Edition - Product Safety Standard.

"TPG IPB, Inc., 950 Danby Road, Ithaca, New York, 14850, declares that the equipment specified above conforms to the referenced EU Directives and Harmonized Standards."



Date: Oct 27, 2011

Jeffrey C Phoenix, Regulatory Compliance Engineer, CognitiveTPG and TPG IPB

Ref #: 189-1300070 Rev C

Copyright 2011 CognitiveTPG. CognitiveTPG and DLXi are trademarks of CognitiveTPG. Other products and corporate names used in this publication may be trademarks or registered trademarks of other companies and are used only for explanation and to their owner's benefit, without intent to infringe. No part of this guide may be reproduced for any purpose or in any form, including electronic storage and retrieval without the express permission of CognitiveTPG.



### CognitiveTPG Headquarters

25 Tri-State International, Suite 200, Lincolnshire, IL 60069  
Toll Free: 800-732-8950 Phone: 847-383-7900 Fax: 847-383-7949  
www.CognitiveTPG.com  
Copyright 2011 CognitiveTPG. All Rights Reserved.

# COGNITIVE TPG

DLX-QSG0000 Rev. A 2011