



DL Series
LCD Monitor
User Manual



Copyright

Copyright © 2014 by BenQ Corporation. All rights reserved. No part of this publication may be reproduced, transmitted, transcribed, stored in a retrieval system or translated into any language or computer language, in any form or by any means, electronic, mechanical, magnetic, optical, chemical, manual or otherwise, without the prior written permission of BenQ Corporation.

Disclaimer

BenQ Corporation makes no representations or warranties, either expressed or implied, with respect to the contents hereof and specifically disclaims any warranties, merchantability or fitness for any particular purpose. Further, BenQ Corporation reserves the right to revise this publication and to make changes from time to time in the contents hereof without obligation of BenQ Corporation to notify any person of such revision or changes.

The performance of flicker-free may be affected by external factors such as poor cable quality, unstable power supply, signal interference, or poor grounding, and not limited to the above mentioned external factors. (Applicable for flicker-free models only.)

Power Safety



Please follow these safety instructions for best performance, and long life for your monitor.

- The AC plug isolates this equipment from the AC supply.
- The power supply cord serves as a power disconnect device for pluggable equipment. The socket outlet should be installed near the equipment and be easily accessible.
- This product should be operated from the type of power indicated on the marked label. If you are not sure of the type of power available, consult your dealer or local power company.
- An approved power cord greater or equal to H03VV-F or H05VV-F, 2G or 3G, 0.75mm² must be used.

Care And Cleaning

- **Cleaning.** Always unplug your monitor from the wall outlet before cleaning. Clean the LCD monitor surface with a lint-free, non-abrasive cloth. Avoid using any liquid, aerosol or glass cleaners.
- Slots and openings on the back or top of the cabinet are for ventilation. They must not be blocked or covered. Your monitor should never be placed near or over a radiator or heat source, or in a built-in installation unless proper ventilation is provided.
- Never push objects or spill liquid of any kind into this product.

Servicing

Do not attempt to service this product yourself, as opening or removing covers may expose you to dangerous voltages or other risks. If any of the above mentioned misuse or other accident such as dropping or mishandling occurs, contact qualified service personnel for servicing.

BenQ ecoFACTS

BenQ has been dedicated to the design and development of greener product as part of its aspiration to realize the ideal of the "Bringing Enjoyment 'N Quality to Life" corporate vision with the ultimate goal to achieve a low-carbon society. Besides meeting international regulatory requirement and standards pertaining to environmental management, BenQ has spared no efforts in pushing our initiatives further to incorporate life cycle design in the aspects of material selection, manufacturing, packaging, transportation, using and disposal of the products. BenQ ecoFACTS label lists key eco-friendly design highlights of each product, hoping to ensure that consumers make informed green choices at purchase. Check out BenQ's CSR Website at <http://csr.BenQ.com/> for more details on BenQ's environmental commitments and achievements.


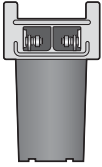
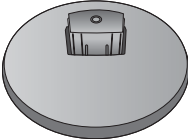
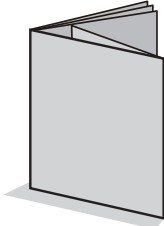
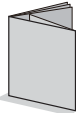
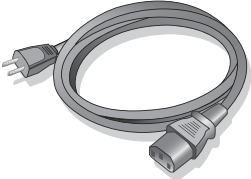
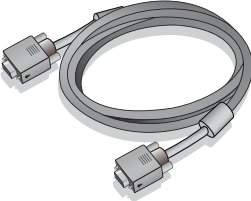


Table of Contents

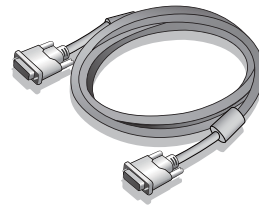
Copyright	2
Getting started	5
Getting to know your monitor	7
Front view.....	7
Back view	7
How to assemble your monitor hardware	8
How to detach the stand base	11
Using the monitor wall mounting kit	12
Getting the most from your BenQ monitor	13
Downloading the LCD Monitor driver files from the Internet.....	13
How to install the monitor on a new computer	14
How to upgrade the monitor on an existing computer	15
How to install on Windows 8 (8.1) system	16
How to install on Windows 7 system	17
How to adjust your monitor	18
The control panel.....	18
Picture optimization	19
Adjusting display mode	19
Navigating the main menu	20
Troubleshooting	22
Frequently asked questions (FAQ)	22
Need more help?.....	23
Adjusting the screen resolution	24
Adjusting the screen refresh rate	25
Preset display modes	26

Getting started

When unpacking please check you have the following items. If any are missing or damaged, please contact the place of purchase for a replacement.

BenQ LCD Monitor	
Monitor Stand	
Monitor Base	
Quick Start Guide	
Regulatory Notices	
Power Cord (Picture may differ from product supplied for your region.)	
Video Cable: D-Sub	

Video Cable: DVI-D
(Optional accessory)



• Available accessories and the pictures shown here may differ from the actual contents and the product supplied for your region. For cables that are not supplied with your product, you can purchase them separately.

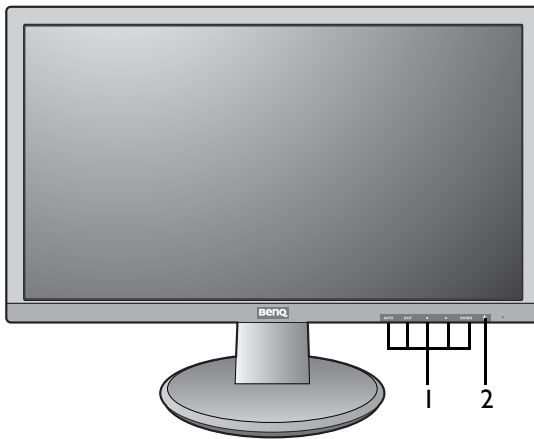
• Consider keeping the box and packaging in storage for use in the future when you may need to transport the monitor. The fitted foam packing is ideal for protecting the monitor during transport.



Always keep the product and accessories out of reach of small children.

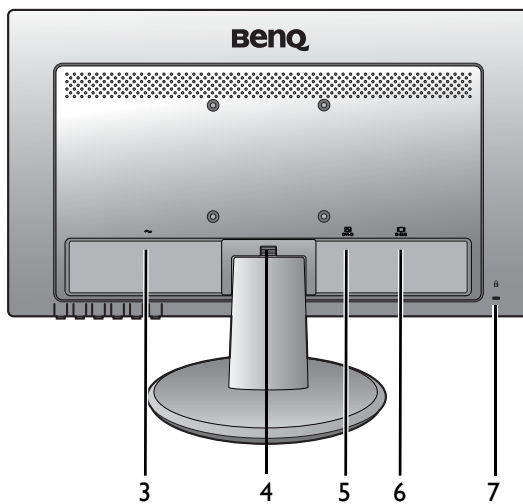
Getting to know your monitor

Front view



1. Control buttons
2. Power button

Back view



3. AC power input jack
4. Quick release button
5. DVI-D socket
6. D-Sub socket
7. Kensington lock slot



- Above diagram may vary depending on the model.
- Picture may differ from product supplied for your region.

How to assemble your monitor hardware



- If the computer is turned on you must turn it off before continuing.
Do not plug-in or turn-on the power to the monitor until instructed to do so.
- The following illustrations are for your reference only. Available input and output jacks may vary depending on the purchased model.

I. Attach the monitor base.



Please be careful to prevent damage to the monitor. Placing the screen surface on an object like a stapler or a mouse will crack the glass or damage the LCD substrate voiding your warranty. Sliding or scraping the monitor around on your desk will scratch or damage the monitor surround and controls.

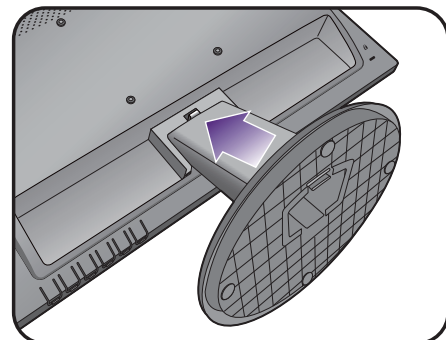
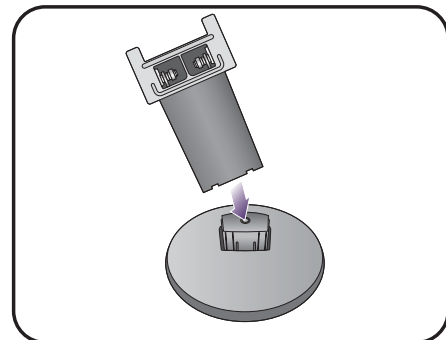
Protect the monitor and screen by clearing a flat open area on your desk and placing a soft item like the monitor packaging bag on the desk for padding.

Gently lay the screen face down on a flat clean padded surface.

Attach the monitor stand to the monitor base as illustrated until it locks in place.

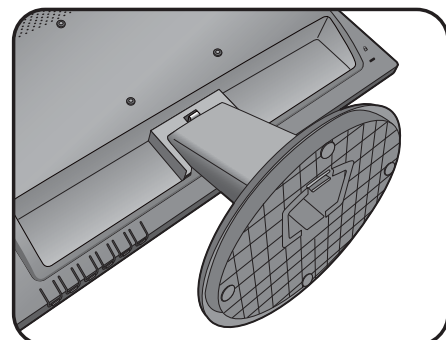
Gently attempt to pull them back apart to check that they have properly engaged.

Orient and align the stand base socket with the end of the stand arm, then push them together until they click and lock into place.



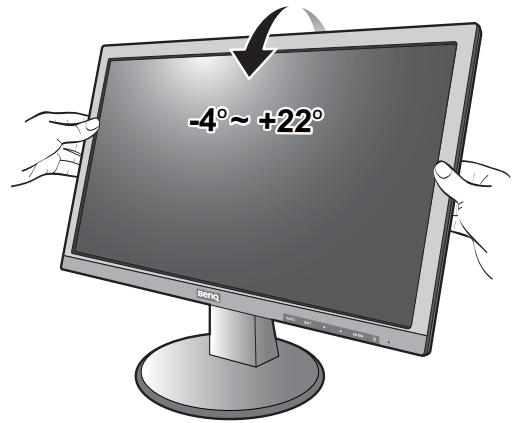
Gently attempt to pull them back apart to check that they have properly engaged.

Carefully lift the monitor, turn it over and place it upright on its stand on a flat even surface.





You should position the monitor and angle the screen to minimize unwanted reflections from other light sources.



2. Connect the PC video cable.



Do not use both DVI-D cable and D-Sub cable on the same PC. The only case in which both cables can be used is if they are connected to two different PCs with appropriate video systems.

To Connect the D-Sub Cable

Connect the plug of the D-Sub cable (at the end without the ferrite filter) to the monitor video socket. Connect the other end of the cable (at the end with the ferrite filter) to the computer video socket.

Tighten all finger screws to prevent the plugs from accidentally falling out during use.

To Connect the DVI-D Cable


Connect the plug of the DVI-D cable (at the end without the ferrite filter) to the monitor video socket. Connect the other end of the cable (at the end with the ferrite filter) to the computer video socket.

Tighten all finger screws to prevent the plugs from accidentally falling out during use.

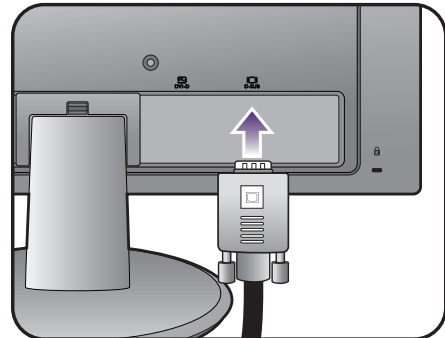


The video cables included in your package and the socket illustrations on the right may vary depending on the product supplied for your region.

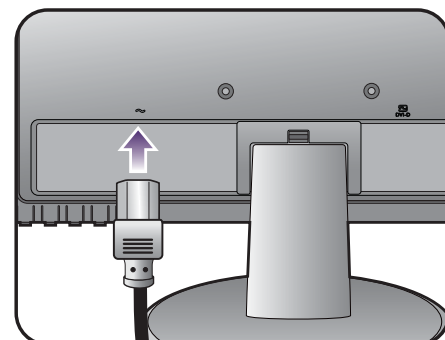
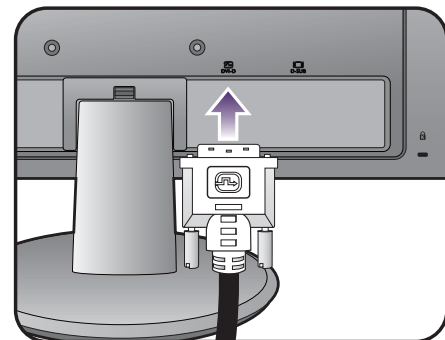
3. Connect the power cable to the monitor.

Plug one end of the power cord into the socket labelled  on the rear of the monitor. Do not connect the other end to a power outlet just yet.

Either



Or

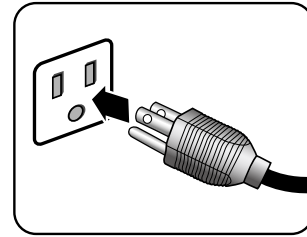


4. Connect-to and turn-on the power.

Plug the other end of the power cord into a power outlet and turn it on.



Picture may differ from product supplied for your region.

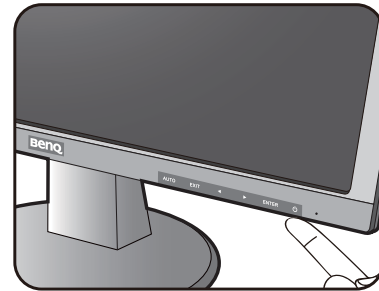


Turn on the monitor by pressing the power button on the monitor.

Turn on the computer too, and follow the instructions in [Getting the most from your BenQ monitor on page 13](#) to install the monitor software.



To extend the service life of the product, we recommend that you use your computer's power management function.

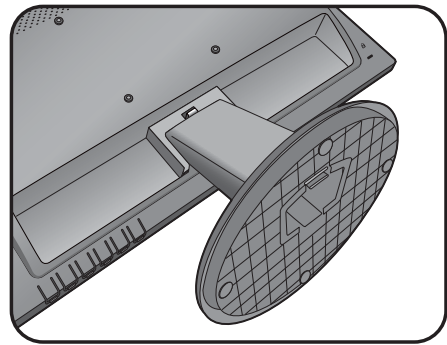


How to detach the stand base

1. Prepare the monitor and area.

Turn off the monitor and the power before unplugging the power cable. Turn off the computer before unplugging the monitor signal cable.

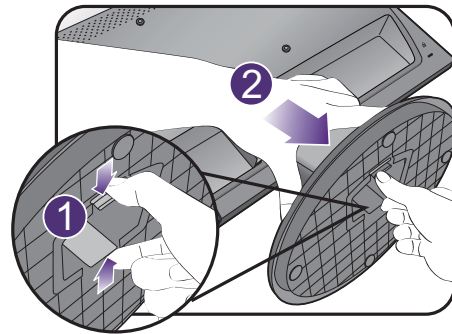
Protect the monitor and screen by clearing a flat open area on your desk and placing a soft item like a towel on the desk for padding, before laying the screen face down on a flat clean padded surface.



Please be careful to prevent damage to the monitor. Placing the screen surface on an object like a stapler or a mouse will crack the glass or damage the LCD substrate voiding your warranty. Sliding or scraping the monitor around on your desk will scratch or damage the monitor surround and controls.

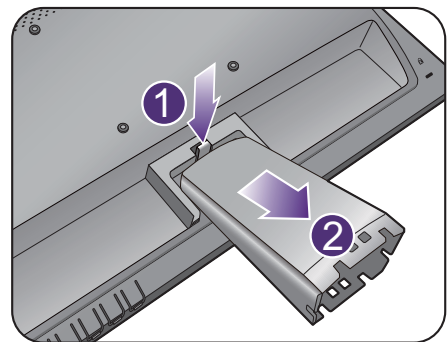
2. Press the locking clips to detach the monitor base from the monitor stand arm.

While pressing the locking clips on the bottom of the monitor base, push the monitor base away from the monitor stand by the other hand.



3. Remove the monitor stand.

While pressing and holding the quick release button (1), detach the stand from the monitor (2).



Using the monitor wall mounting kit

The back of your LCD monitor has a VESA standard mount with 100mm pattern, allowing the installation of a wall mount bracket. Before starting to install a monitor wall mounting kit, please read the precautions carefully.

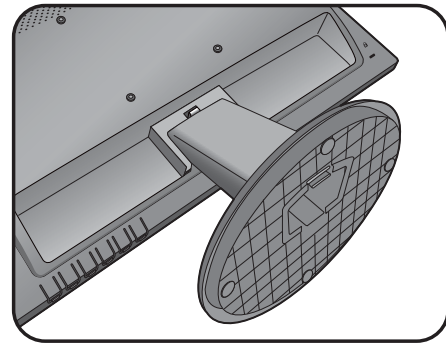
Precautions

- Install your monitor and monitor mounting kit on a wall with flat surface.
- Ensure that the wall material is stable to support the weight of the monitor.
- Turn off the monitor and the power before disconnecting the cables from the LCD monitor.

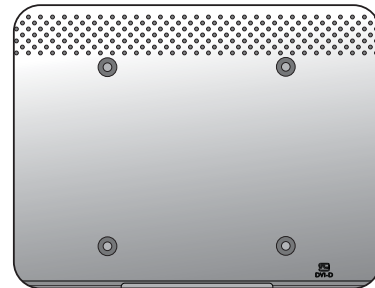
1. Remove the monitor stand.

Lay the screen face down on a clean and well-padded surface.

Detach the monitor stand as instructed in [How to detach the stand base on page 11](#).



2. Follow the instruction manuals of the wall mount bracket you purchased to complete the installation.



Getting the most from your BenQ monitor

To gain the most benefit from your new BenQ LCD monitor, you should install the custom BenQ LCD Monitor driver software as provided on the BenQ local website. See [Downloading the LCD Monitor driver files from the Internet on page 13](#) for details.

The circumstances under which you connect and install your BenQ LCD Monitor will determine which process you need to follow to successfully install the BenQ LCD Monitor driver software. These circumstances relate to which version of Microsoft Windows you are using, and whether you are connecting the monitor and installing the software onto a new computer (without existing monitor driver software), or whether you are upgrading an existing installation (which already has existing monitor driver software) with a newer monitor.

In either case however, the very next time you turn on your computer (after connecting the monitor to your computer), Windows will automatically recognize the new (or different) hardware, and will launch its **Found New Hardware wizard**.

Follow the wizard instructions. Further details and step-by-step instructions for either an automatic (new) or upgrade (existing) installation, see:

- [How to install the monitor on a new computer on page 14](#).
- [How to upgrade the monitor on an existing computer on page 15](#).



- If you require a User Name and Password to login to your Windows computer, you must be logged on as an Administrator or as a member of the Administrators group in order to install the monitor driver software. Furthermore, if your computer is connected to a network which has security access requirements, network policy settings may prevent you from installing software on your computer.
 - To check the name of the purchased model, refer to the specification label on the back of the monitor.
-

Downloading the LCD Monitor driver files from the Internet

1. Make sure your computer is connected to the Internet.
2. Visit the BenQ local website.
3. Download the correct driver files through the selection of product name, model name, and file category. The website layout and content may vary by region/country.
4. On your computer, have your driver files extracted into an empty folder. Remember the file location the files are extracted to.

How to install the monitor on a new computer

This instruction details the procedure for selecting and installing the BenQ LCD Monitor driver software on a new computer which has never had a monitor driver installed before. This instruction is only suitable for a computer which has never been used before, and for which the BenQ LCD Monitor is the first ever monitor to be connected to it.



If you are adding the BenQ LCD Monitor to an existing computer that has already had another monitor connected to it (and has monitor driver software installed), you should not be following these instructions. You should instead be following the instructions for [How to upgrade the monitor on an existing computer](#).

1. Follow the instructions in [How to assemble your monitor hardware on page 8](#).
When Windows starts, it will automatically detect the new monitor and launch the **Found New Hardware Wizard**. Follow the prompts until it displays the option to **Install Hardware Device Drivers**.
2. Check **Search for a suitable driver for my device** option, and click **Next**.
3. Look to confirm that the wizard has selected the correct name of your monitor and click **Next**.
4. Click **Finish**.
5. Restart the computer.

How to upgrade the monitor on an existing computer

This instruction details the procedure for manually updating the existing monitor driver software on your Microsoft Windows computer. It is currently tested as compatible for Windows 8.1, Windows 8, and Windows 7 Operating System (OS).



The BenQ LCD Monitor driver for your model may well function perfectly with other versions of Windows, however, as at the time of writing, BenQ has done no testing of this driver on other versions of Windows and cannot guarantee its operation on those systems.

Installing monitor driver software involves selecting an appropriate information file (.inf) from the downloaded driver files for the particular model monitor you have connected, and letting Windows install the corresponding driver files. You need only steer it in the right direction. Windows has an Upgrade Device Driver Wizard to automate the task and guide you through the file selection and installation process.

See:

- [How to install on Windows 8 \(8.1\) system on page 16](#)
- [How to install on Windows 7 system on page 17.](#)

How to install on Windows 8 (8.1) system

1. Open **Display Properties**.

Move the cursor to the lower-right of the screen or press the **Windows + C** buttons on the keyboard to bring up the **Charm** bar. Go to **Settings, Control Panel, Devices and Printers** and right-click the name of your monitor from the menu.

Alternatively, right-click the desktop and select **Personalize, Display, Devices and Printers**, and right-click the name of your monitor from the menu.

2. Select **Properties** from the menu.

3. Click the **Hardware** tab.

4. Click **Generic PnP Monitor**, and then the **Properties** button.

5. Click the **Driver** tab and the **Update Driver** button.

6. In the **Update Driver Software** window, select the option **Browse my computer for driver software**.

7. Click **Browse** and locate the driver files downloaded from the Internet as instructed in [Downloading the LCD Monitor driver files from the Internet on page 13](#).

8. Click **Close**.

You may be prompted to restart your computer after the driver update is complete.

How to install on Windows 7 system

1. Open **Display Properties**.

Go to **Start, Control Panel, Hardware and Sound, Devices and Printers** and right-click the name of your monitor from the menu.

Alternatively, right-click the desktop and select **Personalize, Display, Devices and Printers**, and right-click the name of your monitor from the menu.

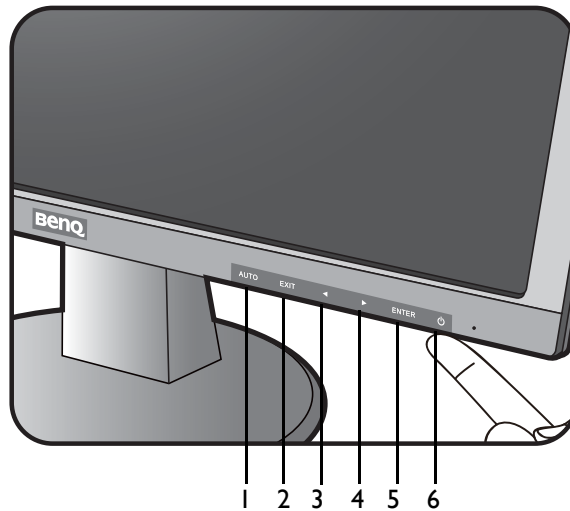
2. Select **Properties** from the menu.
3. Click the **Hardware** tab.
4. Click **Generic PnP Monitor**, and then the **Properties** button.
5. Click the **Driver** tab and the **Update Driver** button.
6. In the **Update Driver Software** window, select the option **Browse my computer for driver software**.
7. Click **Browse** and locate the driver files downloaded from the Internet as instructed in [Downloading the LCD Monitor driver files from the Internet on page 13](#).
8. Click **Close**.

You may be prompted to restart your computer after the driver update is complete.

How to adjust your monitor

The control panel

All OSD (On Screen Display) menus can be accessed by the control keys. You can use the OSD menu to adjust all the settings on your monitor.



No.	Name	Description
1.	AUTO	Adjusts vertical position, phase, horizontal position and pixel clock automatically.
2.	EXIT	<ul style="list-style-type: none">• Exits OSD menu.• Returns to the previous menu.• The key is the hot key for Input Select.
3.	◀	<ul style="list-style-type: none">• For Left/Decrease adjustment.• The key is the hot key for ECO.
4.	▶	<ul style="list-style-type: none">• For Right/Increase adjustment.• The key is the hot key for Brightness.
5.	ENTER	<ul style="list-style-type: none">• Activates the main menu.• Enters sub menus.• Selects menu items.
6.	Power key	Turns the power on or off.



OSD = On Screen Display.

The hot keys only operate while the main menu is not currently displaying. Hot key displays will disappear after a few seconds of no key activity.

Picture optimization

The easiest way to obtain an optimal display from an analog (D-Sub) input is to use the **Auto Adjust** function. Go to **Auto Adjust** to optimize the currently displayed image to the screen.



When you connect a digital input signal using a digital (DVI) cable to your monitor, the **Auto Adjust** function will be disabled, because the monitor will automatically display the best image.



Please ensure that the connected graphic card on your computer is set to the native resolution of the monitor when you use the **Auto Adjust** function.

If you wish, you can always adjust the screen geometric settings manually using geometry menu items. To assist you in this endeavour, BenQ has provided a screen test image utility which you can use to check for screen color, grayscale and line gradient display. The utility is available on the BenQ website. Follow Step 1 to Step 5 in [Downloading the LCD Monitor driver files from the Internet on page 13](#), and then download the test program auto.exe from **Drivers** to your computer.

1. Run the test program auto.exe. You could also use any other image, such as the desktop of your operating system. However, we recommend that you use auto.exe. As you run auto.exe, a test pattern displays.
2. Press **AUTO** key on the monitor.
3. Press the **ENTER** key to access the monitor On-Screen Display (OSD) menu.
4. Go to **Geometry**.
5. If you notice a vertical noise (like a curtain effect-shimmering of vertical lines), select **Pixel Clock** and adjust the monitor until the noise disappears.
6. If you notice a horizontal noise, select **Phase** and adjust the monitor until the noise disappears.

Adjusting display mode

To display images of aspect ratio other than 16:9 and size other than the panel size of your purchased model, you can adjust the display mode on the monitor.

1. Press the **ENTER** key to access the monitor On-Screen Display (OSD) menu.
2. Go to **Miscellaneous** and **Display Mode**.
3. Select an appropriate display mode. The setting will take effect immediately.

Navigating the main menu







You can use the OSD (On Screen Display) menu to adjust all the settings on your monitor.







Available menu options may vary depending on the input sources, functions and settings. Menu options that are not available will become grayed out. And keys that are not available will be disabled and the corresponding OSD icons will disappear.



The OSD menu languages may differ from the product supplied to your region, see [Language on page 21](#) for more details.

















1. Press the **ENTER** key to display the main menu.
2. Press the ◀ or ▶ keys to move the highlight to a menu item and then press the **ENTER** key to select that item.
3. Press the ◀ or ▶ keys to make adjustments or selections.
4. To return to the previous menu, press the **EXIT** button.
5. To exit the menu, select **EXIT**.











Menu	Function	
 Auto Adjust	Optimizes and adjusts the screen settings automatically for you.  Not applicable to a digital input signal.	
 Luminance	Brightness	Adjusts the balance between light and dark shades.
	Contrast	Adjusts the degree of difference between darkness and lightness.
 Geometry	H. Position	Adjusts the horizontal position of the screen image.
	V. Position	Adjusts the vertical position of the screen image.
	Pixel Clock	Adjusts the pixel clock frequency timing to synchronize with the analog input video signal. See also: Picture optimization on page 19 .  Not applicable to a digital input signal.
	Phase	Adjusts the pixel clock phase timing to synchronize with the analog input video signal. See also: Picture optimization on page 19 .  Not applicable to a digital input signal.

Menu	Function	
 Color	9300K	Applies a cool tint to the image and is factory pre-set to the PC industry standard white color.
	7500K	Allows video and still photographs to be viewed with natural coloring. This is the factory default color.
	6500K	Applies a warm tint to the image and is factory pre-set to the news print standard white color.
	User Preset	The blend of the Red, Green and Blue primary colors can be altered to change the color tint of the image. Go to the succeeding Red , Green , and Blue menus to change the settings. Decreasing one or more of the colors will reduce their respective influence on the color tint of the image. (e.g. if you reduce the Blue level the image will gradually take on a yellowish tint. If you reduce Green, the image will become a magenta tint.)
 OSD	H. Position	Adjusts the horizontal position of the OSD menu.
	V. Position	Adjusts the vertical position of the OSD menu.
	OSD Time	Adjusts the display time of the OSD menu.
 Language	Sets the OSD menu language.	
 Recall	Resets all mode, color and geometry settings to the factory default values.	
 Miscellaneous	Sharpness	Adjusts the clarity and visibility of the edges of the subjects in the image.
	DDC/CI	Allows the monitor settings to be set through the software on the PC.
	Display Information	Displays the current monitor property settings.
	Display Mode	This feature is provided to allow aspect ratios other than 16:9 to be displayed without geometric distortion.
	Opening Logo	Sets whether to show the BenQ logo when the monitor is turned on.
 Input Select	Use this to change the input to that appropriate to your video cable connection type.	

Troubleshooting

Frequently asked questions (FAQ)

-  The image is blurred.
-  Read the instructions in [Adjusting the screen resolution on page 24](#), and then select the correct resolution, refresh rate and make adjustments based on these instructions.
-  How do you use a VGA extension cable?
-  Remove the extension cable for the test. Is the image now in focus? If not, optimize the image by working through the instructions in [Adjusting the screen refresh rate on page 25](#). It is normal for blurring to occur due to conduction losses in extension cables. You can minimize these losses by using an extension cable with better conduction quality or with a built-in booster.
-  Does the blurring only occur at resolutions lower than the native (maximum) resolution?
-  Read the instructions in [Adjusting the screen resolution on page 24](#). Select the native resolution.
-  Pixel errors can be seen.
- One of several pixels is permanently black, one or more pixels are permanently white, one or more pixels are permanently red, green, blue or another color.
- 
 - Clean the LCD screen.
 - Cycle power on-off.
 - These are pixels that are permanently on or off and is a natural defect that occurs in LCD technology.
-  The image has a faulty coloration.
-  It has a yellow, blue or pink appearance.
-  Go to **Recall** to reset the color settings to the factory defaults.
- If the image is still not correct and the OSD also has faulty coloration, this means one of the three primary colors is missing in the signal input. Now check the signal cable connectors. If any pin is bent or broken off, please contact your dealer to get necessary support.
-  No image can be seen.
-  Is the prompt on the display illuminated in blue?
-  If the LED is illuminated in blue and there is a message **Out of Range** on the screen, this means you are using a display mode that this monitor does not support, please change the setting to one of the supported mode. Please read [Preset display modes on page 26](#).
-  Faint shadow from the static image displayed is visible on the screen.
- 
 - Activate the power management function to let your computer and monitor go into a low power "sleep" mode when not actively in use.
 - Use a screensaver to prevent the occurrence of image retention.

-  Is the prompt on the display illuminated in blue?
-  If the LED is illuminated in blue, the power management mode is active. Press any button on the computer keyboard or move the mouse. If that does not help, check the signal cable connectors. If any pin is bent or broken off, please contact your dealer to get necessary support.
-  Is the prompt on the display not illuminated at all?
-  Check the power supply mains socket, the external power supply and the mains switch.
-  The image is distorted, flashes or flickers.
-  Read the instructions in [Adjusting the screen resolution on page 24](#), and then select the correct resolution, refresh rate and make adjustments based on these instructions.
-  You are running the monitor at its native resolution, but the image is still distorted.
-  Images from different input sources may appear distorted or stretched on the monitor running at its native resolution. To have the optimal display performance of each type of input sources, you can use the **Display Mode** function to set a proper aspect ratio for the input sources. See [Adjusting display mode on page 19](#) for details.
-  The image is displaced in one direction.
-  Read the instructions in [Adjusting the screen resolution on page 24](#), and then select the correct resolution, refresh rate and make adjustments based on these instructions.

Need more help?

If your problems remain after checking this manual, please contact your place of purchase or e-mail us at: Support@BenQ.com.

Adjusting the screen resolution

Due to the nature of liquid crystal display (LCD) technology, the picture resolution is always fixed. For the best display performance, please set the display to its maximum resolution that is the same with the monitor aspect ratio. This is called “Native Resolution” or maximal resolution – that is, the clearest picture. Please refer to the table below for the native resolution of your LCD. Lower resolutions are displayed on a full screen through an interpolation circuit. Image blurring across pixel boundaries can occur with the interpolated resolution depending upon the image type and its initial resolution.

Panel type	Display size	Aspect ratio	Native Resolution
TN panel	19.5"	16:9	1366 x 768



To find out the monitor aspect ratio of the purchased model, please check the Specification document on the provided CD.



- To take full advantage of LCD technology you should select the native resolution setting of your PC screen as described below. Be aware that not all PC video cards provide this resolution value. If yours doesn't, check with the video card manufacturer's website for an updated driver for your particular model PC video card which supports this resolution. Software video drivers are often updated and available for new hardware video resolutions. If necessary, you may need to replace and update the PC video card hardware to be able to support the native resolution of the monitor.
- Depending on the operating system on your PC, different procedures should be followed to adjust the screen resolution. Refer to the help document of your operating system for details.

1. Open **Display Properties** and select the **Settings** tab.

You can open **Display Properties** by right-clicking on the Windows desktop and selecting **Properties** from the pop-up menu.

2. Use the slider in the ‘Screen area’ section to adjust the screen resolution.

Select the recommended resolution (maximum resolution) then click **Apply**.



If you select some other resolution, be aware that this other resolution is interpolated and may not accurately display the screen image as well as it could do at the native resolution setting.

3. Click **OK** then **Yes**.

4. Close the **Display Properties** window.

If your input source does not provide an image which is the same with the monitor aspect ratio, the displayed image may appear stretched or distorted. To maintain the original aspect ratio, image scaling options can be found in the “Display Mode” adjustment. See the user manual for more information.

Adjusting the screen refresh rate

You don't have to choose the highest possible refresh rate on an LCD display, because it is not technically possible for an LCD display to flicker. The best results are obtained by using the factory modes already set in your computer. Check next chapter to see the factory modes: [Preset display modes on page 26](#).



Depending on the operating system on your PC, different procedures should be followed to adjust the screen resolution. Refer to the help document of your operating system for details.

1. Double click the **Display** icon in **Control Panel**.
2. From the **Display Properties** window, select the **Settings** tab and click the **Advanced** button.
3. Select the **Adapter** tab, and select an appropriate refresh rate to match one of the applicable factory modes as listed in the specification table.
4. Click **Change**, **OK**, then **Yes**.
5. Close the **Display Properties** window.

Preset display modes

Incoming display mode (Input timing)	
Panel type	TN panel
Display size	19.5"
Resolution	1366 x 768
Aspect ratio	16:9
640x480@60Hz	v
640x480@75Hz	v
720x400@70Hz	v
800x600@60Hz	v
800x600@75Hz	v
832x624@75Hz	v
1024x768@60Hz	v
1024x768@75Hz	v
1280x720@60Hz	v
1366x768@60Hz	v



For 18.5-inch models, pay attention to the following:

- For the first time using this monitor with the resolution 1360x768, the default **Display Mode** is **Aspect**.
- If the video card cannot display or normally display with the native resolution of 1366x768, please adjust the resolution to 1360x768.

Image disruption may occur as a result of signal frequency differences from graphic cards which do not correspond with the usual standard. This is not, however, an error. You may improve this situation by altering an automatic setting or by manually changing the phase setting and the pixel frequency from the “DISPLAY” menu.

Specifications - DL2020

Display type	19.5", LED backlight monitor
Panel type	TN panel
Display area	434 x 235.8 mm
Native (maximum) resolution	1366 x 768
Aspect ratio	16:9
Colors	16.7 million
Contrast / Brightness	600:1 / 200 cd/m ² (typical)
Response time	5 ms
Viewing angle (left/right, up/down)	90, 65 (CR _≥ 10)
Hor. Frequency (KHz)	30 - 83 kHz Multi- frequency monitor
Ver. Frequency (Hz)	55 - 76 Hz modes within these parameters
Controls	5 buttons and Power key
Max. power consumption	< 22 W
Power saving mode	< 0.5 W
Input signal	D-Sub + DVI
Temperature (operating)	0 °C - 40 °C
Air humidity (operating)	10% - 90%
Operating voltage	100-240 V, 50/60 Hz +/- 3 Hz
Dimensions (H x W x D)	360.5 x 469.7 x 192.9 mm
Weight	2.5 kg



The specifications are subject to change without prior notice.