

EdgeReady™ Micro Data Center

Heavy-Duty Wall-Mount Rack, 15U Usable, 3 kVA, 230V

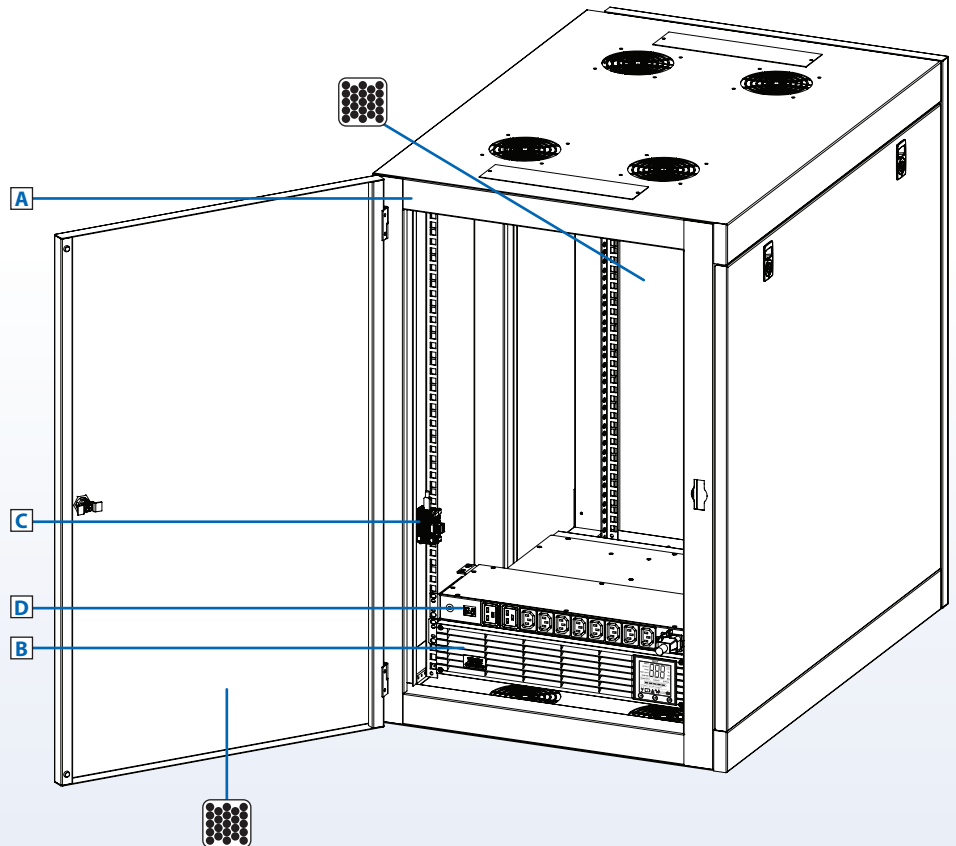


Benefits

- Provides preconfigured IT infrastructure for edge computing servers, storage and network hardware in locations without available floor space
- Integrates secure rack space, reliable power distribution, battery backup, remote management and optional cooling
- Prevents configuration errors, reduces installation time, decreases field costs and standardizes edge computing infrastructure
- Kit ships three business days from receipt of order, after design validation by solution experts in a controlled environment

Included Hardware

- A** **SRW18UHD** Heavy-Duty Wall-Mount Rack Enclosure (Side-Mounted)
- B** **SMX3000XLRT2UA** SmartPro® UPS System with **P052-008** Input Cord and **WEBCARDLX** Network Management Card
- C** **E2MTHDI** Environmental Sensor (Temperature/Humidity/Digital Inputs)
- D** **PDU MH20HV** Metered PDU



See Next Page for Customization Options

Specifications

Model (Kit)	MDK2W15UPX00000
Model (Assembled/Tested)	Not Available for Wall-Mount Units
Output Power Capacity	3 kVA/2.7 kW/11.7A Max
Rack Space	18U Total; 15U Usable
Weight Capacity	226 kg Total; 137 kg Usable
Maximum Device Depth	826 mm
Site Power Requirements	230V, 13/16A, 50/60 Hz
Site Outlet Required	BS 1363 (Standard) or CEE 7/7 "Schuko" (Optional)
UPS Type	Line-Interactive with Sine Wave Output
Runtime (50%/100% Load)	11/3.9 min. (Expandable)
High-Availability Features	Automatic Voltage Regulation (AVR); Battery Backup; Hot-Swappable Batteries
Usable Outlets (UPS + PDU)	(16) C13, (2) C19
Dimensions (Assembled)	939 x 920 x 629 mm
Weight (Assembled)	90 kg
Warranty*	2-Year Limited Warranty (Extendable)

*Any component with a warranty longer than 2 years will be covered by the longer warranty.



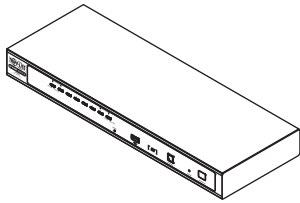
Powering and Connecting Your World

Unlimited Micro Data Center Customization

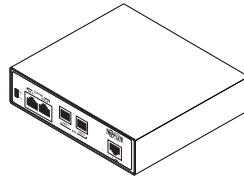
Tripp Lite's solutions team is standing by to help you tailor your EdgeReady™ micro data center to match the business and technology requirements of your edge deployment strategy. We ship custom solutions in as little as five business days.

We can help you customize your EdgeReady™ micro data center in several ways:

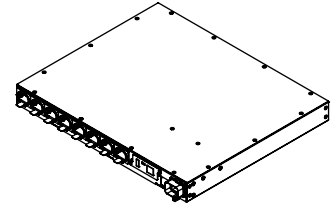
- Quick and easy customization via stocked add-on accessories for the base configurations
- Upgrades to included components of base configurations with stocked alternatives
- Customization of individual components like racks, PDUs and cables (increases lead time)



B022-U08-IP
1U KVM Switch with 8 Ports
and Remote Access



B093-004-2E4U
4-Port Console Server
with Modem Support for Fail-Safe Access



PDUMH20HVNET
1U Switched PDU
with Remote Current Monitoring,
Alerts and Outlet Control

Optional Accessories, Sold Separately (Visit www.tripplite.com to see the full selection.)

Switched PDU	PDUMH20HVNET with (8) C13; 1U (Replaces standard PDU.)
Battery Packs for Extended Runtime (50%/100% Load)	30/11 min. with BP48V24-2U (Limit 1); 43/16 min. with BP48V27-2US ; 67/26 min. with BP48V60RT-3U
KVM Switch	B022-U08-IP
Console Server	B093-004-2E4U
Door Monitoring Kit	SRSWITCH (Monitors Front/Rear Doors)
Airflow Management	SR1UPANEL10 and/or SR1UBRUSH
Cable Managers	40+ Horizontal, Vertical and External Cable Management Options at tripplite.com
Power Cords	French/German UPS Input Cord with CEE 7/7 "Schuko" Plug (P050-008); Match Others to IT Equipment; 250+ Power Cord Options at tripplite.com
Network Cables	Match to IT Equipment; 1,000+ Copper and Fiber Network Cable Options at tripplite.com
Patch Panels	60+ Copper and Fiber Patch Panel Options at tripplite.com
Additional Sensors	E2MT (Up to 3 Sensors Total per WEBCARDLX to Monitor Top/Middle/Bottom Temperature)

1111 W. 35th Street, Chicago, IL 60609 USA | +1.773.869.1212 | www.tripplite.com



Powering and Connecting Your World