

Trayless SATA Multi-Drive Bay

3 Drive Trayless SATA Hot-Swap Enclosure

4 Drive Trayless SATA Hot-Swap Enclosure

HSB320SATBK

HSB430SATBK

Instruction Manual



***HSB430SATBK shown

Actual Product may vary from photo

StarTech.com

The Professionals' Source for Hard-to-Find Computer Parts

FCC Compliance Statement

This equipment has been tested and found to comply with the limits for a Class B digital device, pursuant to part 15 of the FCC Rules. These limits are designed to provide reasonable protection against harmful interference in a residential installation. This equipment generates, uses and can radiate radio frequency energy and, if not installed and used in accordance with the instructions, may cause harmful interference to radio communications. However, there is no guarantee that interference will not occur in a particular installation. If this equipment does cause harmful interference to radio or television reception, which can be determined by turning the equipment off and on, the user is encouraged to try to correct the interference by one or more of the following measures:

- Reorient or relocate the receiving antenna.
- Increase the separation between the equipment and receiver.
- Connect the equipment into an outlet on a circuit different from that to which the receiver is connected.
- Consult the dealer or an experienced radio/TV technician for help.

Use of Trademarks, Registered Trademarks, and other Protected Names and Symbols

This manual may make reference to trademarks, registered trademarks, and other protected names and/or symbols of third-party companies not related in any way to StarTech.com. Where they occur these references are for illustrative purposes only and do not represent an endorsement of a product or service by StarTech.com, or an endorsement of the product(s) to which this manual applies by the third-party company in question. Regardless of any direct acknowledgement elsewhere in the body of this document, StarTech.com hereby acknowledges that all trademarks, registered trademarks, service marks, and other protected names and/or symbols contained in this manual and related documents are the property of their respective holders.

Table of Contents

Introduction	1
Features	1
Before You Begin	1
Hardware Guide	2
Installation	3
Specifications	8
Technical Support	8
Warranty Information	8

Introduction

Thank you for purchasing a StarTech.com Multi-Drive Trayless SATA Hot Swap Enclosure. This product allows you to install multiple hard drives in seconds, without having to fasten the drive to the enclosure or the host computer.

Features

- Innovative design requires no internal tray (caddy)
- Trayless design offers improved air circulation and heat dissipation for optimized drive performance
- 10000+ Insertion rating - drive tray is designed to withstand the friction created by removing and re-inserting the drive tray more than 10000x
- Fits all 3.5" Serial ATA hard drives
- Internal rubber cushioning helps eliminate vibration and damage to the hard disk

Before You Begin

HSB320SATBK System Requirements

- Two successive, available 5.25" drive bays
- Pentium-based computer running Windows 2000/XP/2003 Server or Mac OS 9.0 or higher
- Four available LP4 (4-pin) power connectors
- Three available SATA ports

HSB430SATBK System Requirements

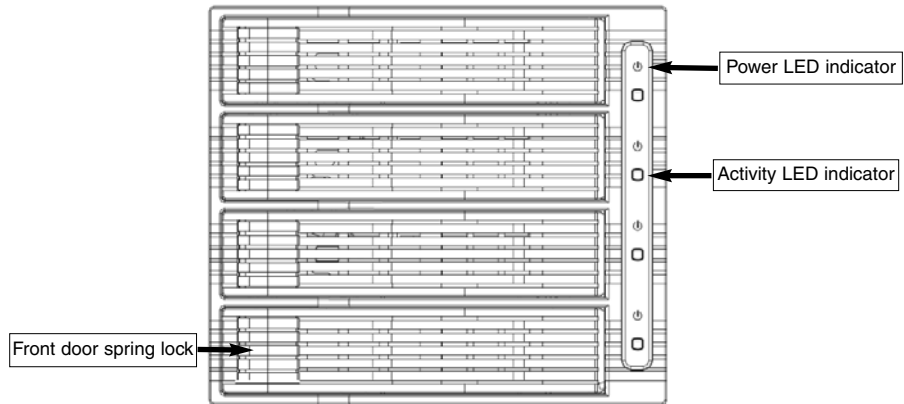
- Three successive, available 5.25" drive bays
- Pentium-based computer running Windows 2000/XP/2003 Server or Mac OS 9.0 or higher
- Five available LP4 (4-pin) power connectors
- Four available SATA ports

Contents

- 5.25" Trayless SATA Hot Swap Drive Bay (1)
- Instruction Manual (1)
- Mounting screws (8)
- TX4 + SATA Power LP4 Y-cable (x3 - HSB320SATBK x4 - HSB430SATBK)
- SATA data cable (HSB320SATBK) (3)
- SATA data cable (HSB430SATBK) (4)

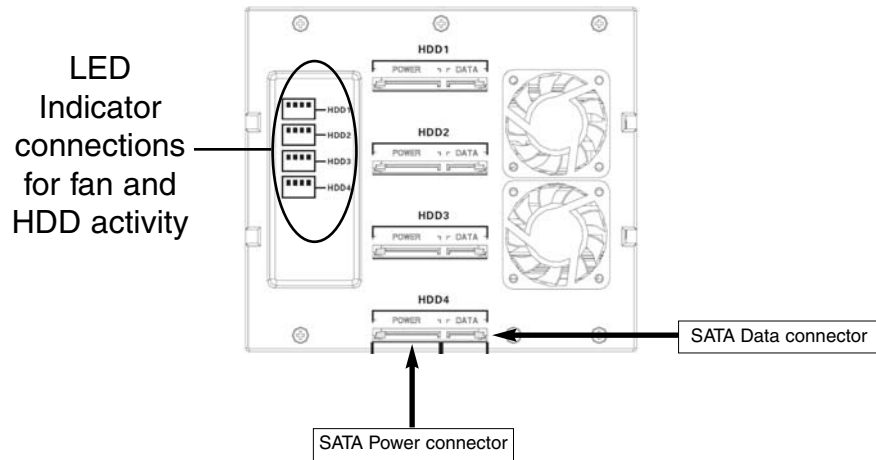
Hardware Guide

Front Panel



***HSB430SATBK shown

Rear Panel



***HSB430SATBK shown

Installation

To ensure a quick and easy installation, please read through this section before attempting to install this device.

WARNING: Hard drives require careful handling, especially when being transported. If you are not careful with your hard disk, it may result in lost data. Always handle your hard drive with caution.

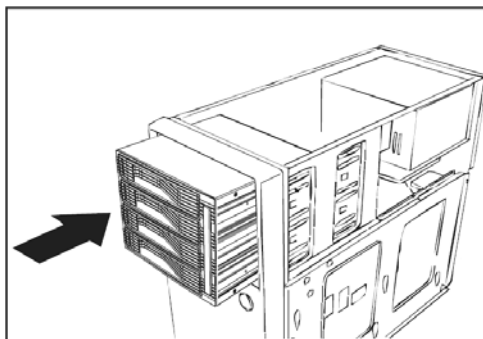
WARNING: Hard drives, like all computer equipment can also be severely damaged by static electricity. Be sure that you are properly grounded before opening your computer case or touching any components. StarTech.com recommends that you wear an anti-static strap when installing any computer equipment. If an anti-static strap is unavailable, discharge yourself of any static electricity build-up by touching a large grounded metal surface (such as the computer case) for several seconds.

WARNING: Do not bump, jar, or drop the device. Do not disconnect any cables or power sources while the hard drive is active. This can result in data loss and possible damage to the hard drive. Always make sure that your hard drive is fully spun down before removing the device.

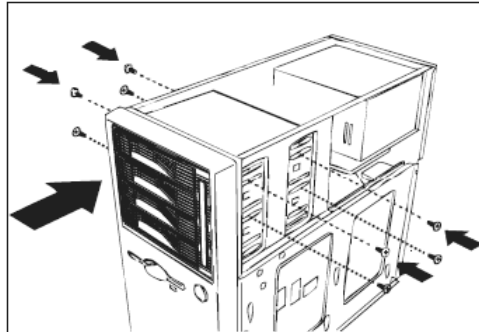
NOTE: Prior to installation, please ensure that the cover from both sides of the computer case have been removed, as you would in order to install a conventional hard drive. For further instruction on how to complete this step, please consult the documentation that accompanied your computer at the time of purchase.

Prior to opening your computer case, please remove all power to the computer, as well as all power connected to the computer peripherally.

1. Remove the covers of two (HSB320SATBK) or three (HSB430SATBK) successive drive bays (i.e. adjacent to one another).
2. Insert the Multi-Drive Enclosure into the bays made accessible in Step #1, and gently push it inward until the mounting holes located on the side panels of the enclosure are aligned with the holes provided by the drive bays:

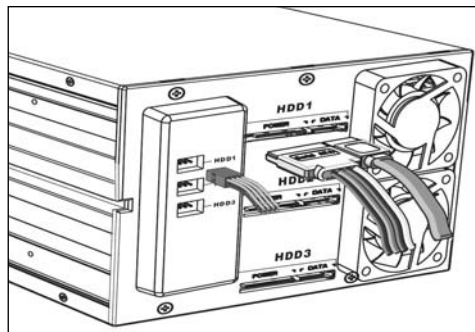


3. Using the mounting screws provided, secure the Multi-Drive Enclosure to the drive bays:



Connecting the Multi-Drive Enclosure to the motherboard/power

1. a. Attach one end of a SATA data cable (provided) to a SATA port on the motherboard. Connect the remaining SATA connectors provided by the cable to the topmost data port located on the rear panel of the Multi-Drive Enclosure.
b. Connect the LP4/TX-4/SATA Power Y-cable to an available LP4 power connector as provided by the computer power supply.
c. Connect the SATA Power connector provided by the Y-cable to the topmost SATA power port. Similarly, connect the TX4 connector to the corresponding port, as shown below.

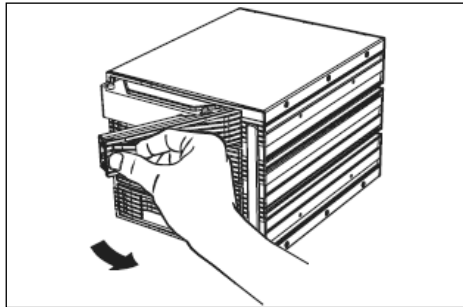


2. Repeat steps 1a. - 1c. for each remaining drive bay/hard drive being installed.

Loading hard drives in the Multi-Drive Enclosure

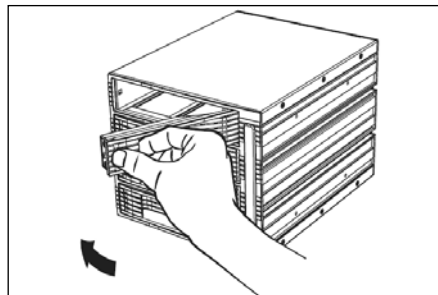
Please note: If you are using third-party RAID software, please ensure that each drive is configured properly, prior to insertion.

1. Gently pull the spring lock to open the front door of the drive bay:



2. Position the hard drive so that the drive connectors are facing towards the exposed drive bay, and the hard drive label is facing upward. Gently insert the hard drive into the bay, until the front door of the bay begins to close.

3. Press the front door closed, until the spring lock is secured. **Please note:** The front door will not close securely, if the hard drive is not properly positioned. If you have difficulty closing the door, please do not attempt to force it closed, as this can cause damage to the hard drive connectors, as well as the connectors located inside the Multi-Drive Enclosure. Please remove the drive from the enclosure and verify that the drive is properly positioned:

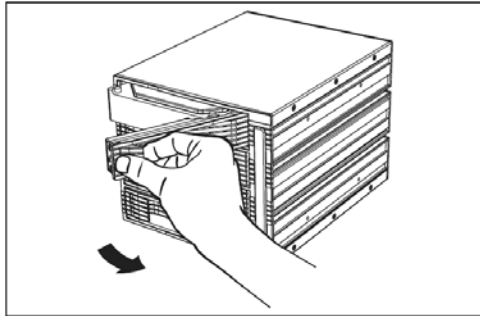


4. Repeat steps 1-3 for each hard drive being installed.

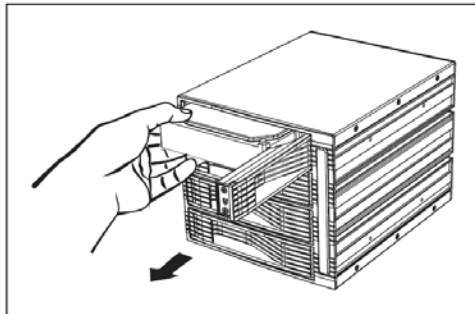
Unloading hard drives in the Multi-Drive Enclosure

Please note: Removing a hard drive from the enclosure while the drive is busy, can result in lost data. To ensure the drive is not active when you remove it from the enclosure, please disable the drive from within the Windows Device Manager or the RAID software being used.

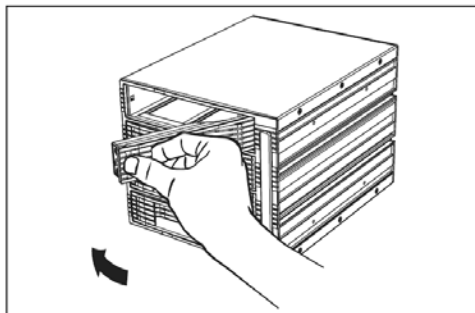
1. Open the front panel of the drive bay from which you wish to remove the hard drive:



2. Remove the hard drive from the bay.



3. Close the front door, to prevent dust particles from entering the drive bay. Once the door clicks closed, the bay is secure:



Specifications

Bus Type	Serial ATA
Connectors	Serial ATA data Serial ATA power Activity LED
Power supply	LP4 x 1 - Fan Power
Data Transfer Rate (Max)	3.0 Gb/s (max)
OS Support	Windows 2000, XP, 2003 Server Mac OS 9.0 or above
Operating temperature	0 - 55°C
Storage temperature	0 - 55°C
Dimensions	HSB430SATBK: 146 x 127 x 194 mm HSB320SATBK: 146 x 85 x 194 mm

Technical Support

StarTech.com's lifetime technical support is an integral part of our commitment to provide industry-leading solutions. If you ever need help with your product, visit www.startech.com/support and access our comprehensive selection of online tools, documentation, and downloads.

Warranty Information

This product is backed by a one-year warranty. In addition, StarTech.com warrants its products against defects in materials and workmanship for the periods noted, following the initial date of purchase. During this period, the products may be returned for repair, or replacement with equivalent products at our discretion. The warranty covers parts and labor costs only. StarTech.com does not warrant its products from defects or damages arising from misuse, abuse, alteration, or normal wear and tear.

Limitation of Liability

In no event shall the liability of StarTech.com Ltd. and StarTech.com USA LLP (or their officers, directors, employees or agents) for any damages (whether direct or indirect, special, punitive, incidental, consequential, or otherwise), loss of profits, loss of business, or any pecuniary loss, arising out of or related to the use of the product exceed the actual price paid for the product.

Some states do not allow the exclusion or limitation of incidental or consequential damages. If such laws apply, the limitations or exclusions contained in this statement may not apply to you.

About StarTech.com

StarTech.com is “The Professionals’ Source for Hard-to-Find Computer Parts”. Since 1985, we have been providing IT professionals with the quality products they need to complete their solutions. We offer an unmatched selection of computer parts, cables, server management solutions and A/V products and serve a worldwide market through our locations in the United States, Canada, the United Kingdom and Taiwan.

Visit **www.startech.com** for complete information about all our products and to access exclusive interactive tools such as the Parts Finder and the KVM Reference Guide. StarTech.com makes it easy to complete almost any IT solution. Find out for yourself why our products lead the industry in performance, support, and value.