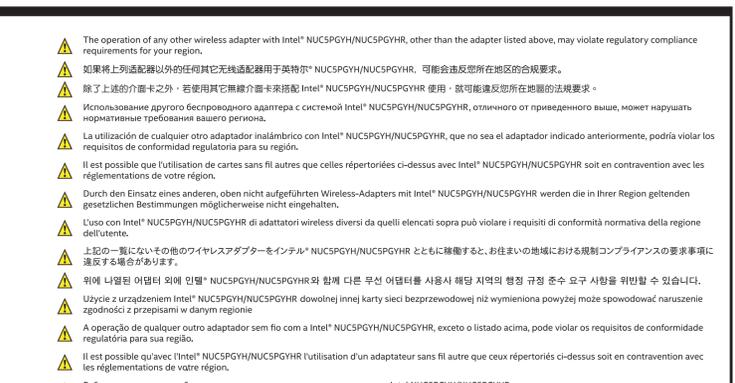
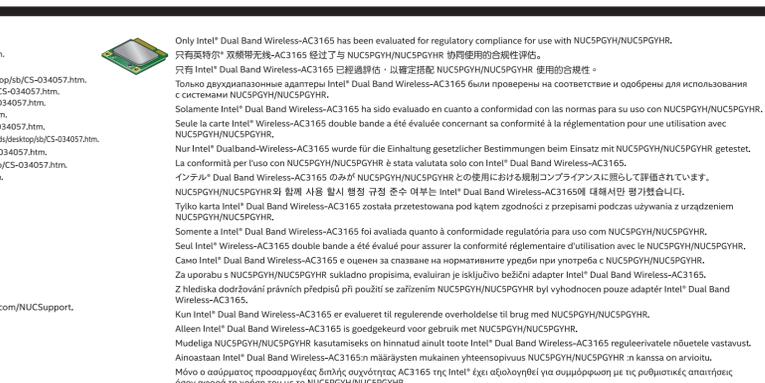
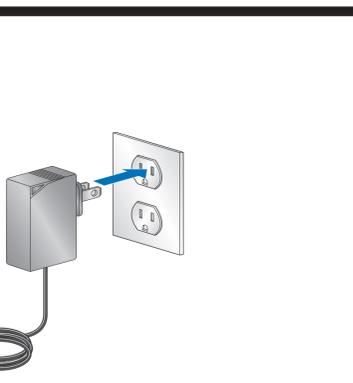
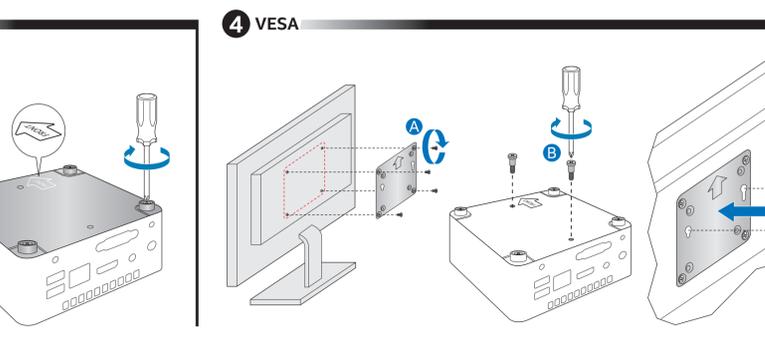
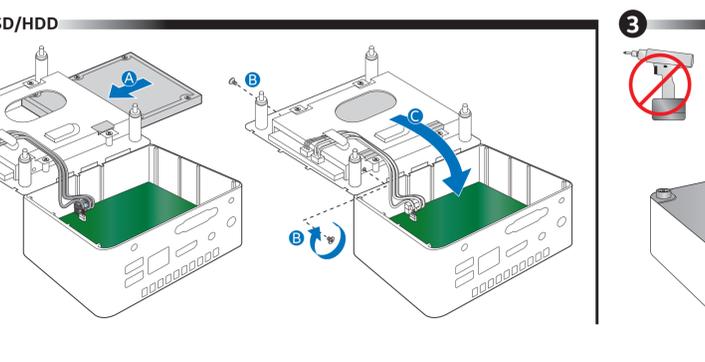
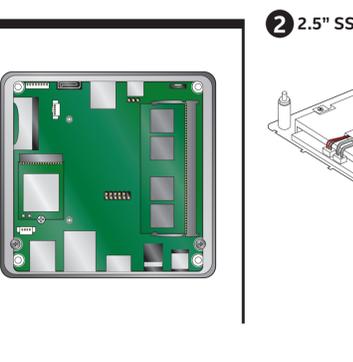
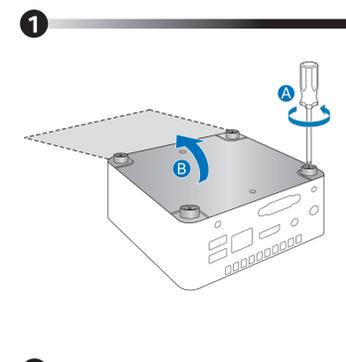


- Power Button
HDD LED
Speaker/Microphone/Audio Port
SD Reader
Anti-Theft Key Lock Hole
SSD
CIR
Optical
HDMI
VGA

- Power Button
HDD LED
Speaker/Microphone/Audio Port
SD Reader
Anti-Theft Key Lock Hole
SSD
CIR
Optical
HDMI
VGA

- Power Button
HDD LED
Speaker/Microphone/Audio Port
SD Reader
Anti-Theft Key Lock Hole
SSD
CIR
Optical
HDMI
VGA



Failure to use the included FSP Group, Inc. Model FSP065-10A0BA Power Adapter may violate regulatory compliance requirements and may expose the user to safety hazards.

For a list of tested 2.5" hard drives, go to: http://www.intel.com/support/NUC/Support.
For a list of tested 2.5" hard drives, go to: http://www.intel.com/support/NUC/Support.

For a list of tested 2.5" hard drives, go to: http://www.intel.com/support/NUC/Support.
For a list of tested 2.5" hard drives, go to: http://www.intel.com/support/NUC/Support.

For more information on the wireless adapters, go to: http://www.intel.com/support/wireless/wlan.
For more information on the wireless adapters, go to: http://www.intel.com/support/wireless/wlan.

The operation of any other wireless adapter with Intel® NUC5PGYH/NUC5PGYHR, other than the adapter listed above, may violate regulatory compliance requirements for your region.
If you use any other wireless adapter with Intel® NUC5PGYH/NUC5PGYHR, other than the adapter listed above, you may violate regulatory compliance requirements for your region.

