



by Schneider Electric

Rack Power Distribution Unit (PDU) Display Module Installation

0J-0N-2255, 0J-0M-81332, 0J-0N-2256, 0J-0G-9470

⚠ ⚠ DANGER

HAZARD OF ELECTRIC SHOCK, EXPLOSION, OR ARC FLASH

Before working on the Rack PDU, turn off all power supplying the Rack PDU and disconnect the power cable. Only trained personnel familiar with the construction and operation of the Rack PDU and the electrical hazards involved may make repairs to the Rack PDU.

Failure to follow these instructions will result in death or serious injury.

CAUTION

ELECTROSTATIC SENSITIVE COMPONENTS

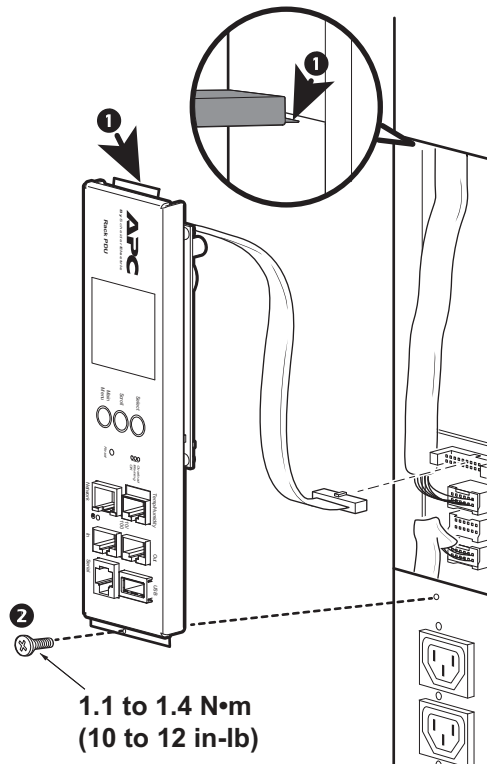
Use appropriate electrostatic discharge precautions (for example, wrist strap and ground cord) while performing this repair and when handling the display module.

Failure to follow these instructions can result in equipment damage.

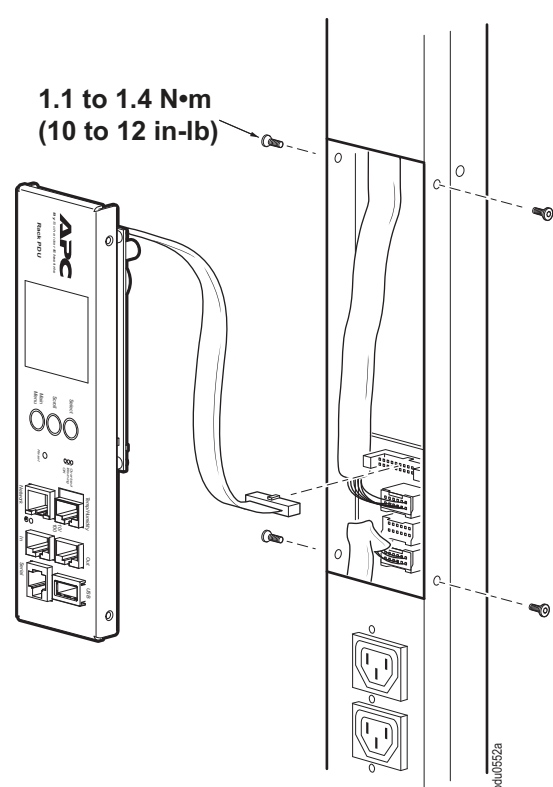


T10 Torx Screwdriver (not provided)

0J-0N-2255, 0J-0M-81332



0J-0N-2256, 0J-0G-9470



Customer support and warranty information is available at www.apc.com.

© 2021 APC by Schneider Electric. All Rights Reserved.

990-3948B
1/2021