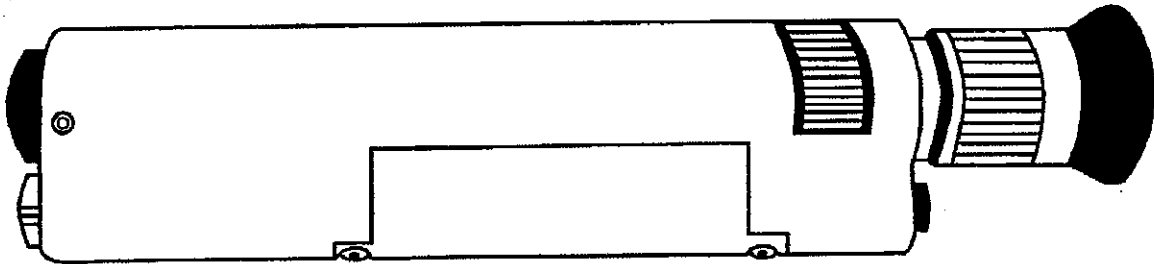




January 2011  
FOIS400



---

**CUSTOMER  
SUPPORT  
INFORMATION**

Order toll-free in the U.S.: Call **877-877-BBOX** (outside U.S. call **724-746-5500**)  
FREE technical support 24 hours a day, 7 days a week: Call **724-746-5500** or fax **724-746-0746**  
Mailing address: **Black Box Corporation**, 1000 Park Drive, Lawrence, PA 15055-1018  
Web site: [www.blackbox.com](http://www.blackbox.com) • E-mail: [info@blackbox.com](mailto:info@blackbox.com)

# Specifications:

**Optical magnification:** 400x

**Power Source:** 3 x AAA Batteries

**Light Source:** White LED, rated for 100,000 hours

**Weight:** 0.5Kg

**Size:** 8.76" L x 1.25" Diameter (225mm x 32mm)

**Controls:** Momentary on/off switch for light source, Fine focus control wheel

**Safety Filter:** Built in IR Filter

# Description:

The FOIS400 hand-held fiber microscope is used for inspecting fiber terminations, providing a view of fiber end faces. The FOIS400 provides excellent detail of scratches and contamination. The unit also has a built-in IR filter for safety.

# Included:

- (1) 400x Scope
- (1) Universal adapter
- (1) Case
- (1) Instruction Sheet

# Laser Safety:

**WHEN VIEWING, DO NOT USE ILLUMINATED FIBER!**

The FOIS400 is equipped with potent laser safety filters. DO NOT use the FOIS400 to view active fiber signals under any circumstances. Active fiber signals contain high-powered laser light, which can do harm to eyes.

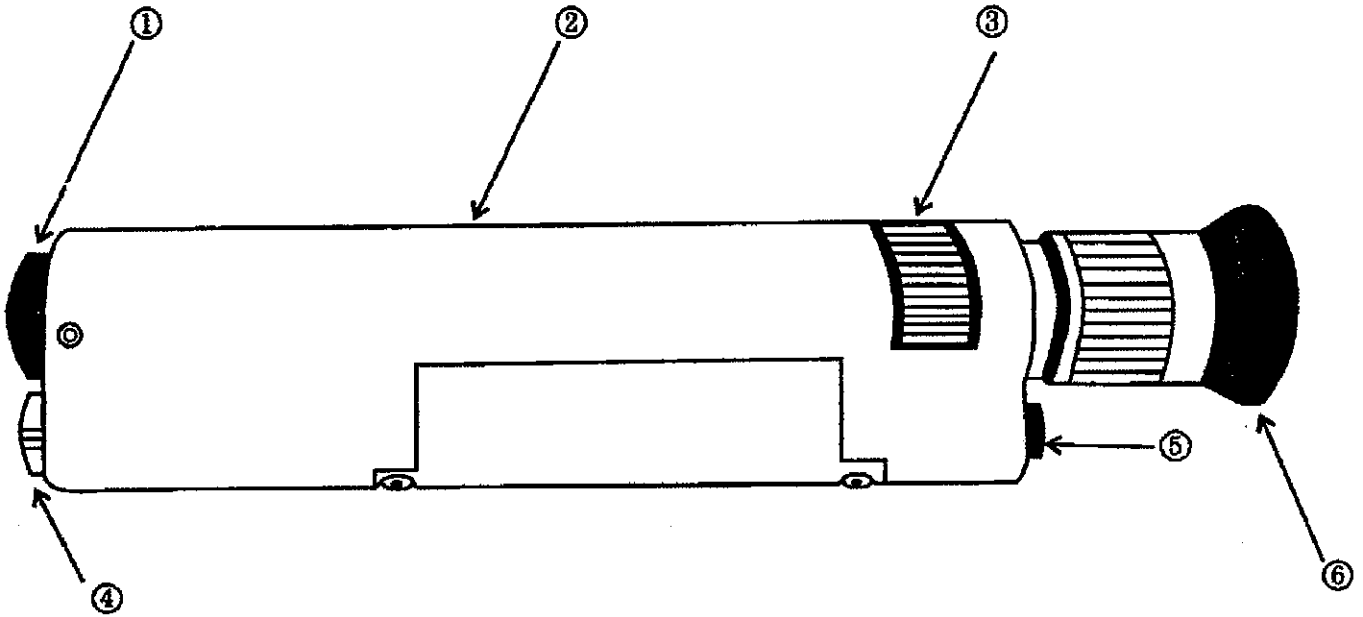
# Operation Steps:

- 1) Insert one of the fiber ends into the FOIS400 universal adapter.
- 2) Look into the eyepiece and press the On/Off switch.
- 3) Adjust the focus for the clearest view.

# Maintenance:

- 1) to avoid damage, don't disassemble the unit.
- 2) Prevent liquid from getting on the unit.
- 3) Protect it from violent shock

# Illustration:



- (1) Adapter Interface
- (2) Light Source
- (3) Focus Control
- (4) Battery Compartment
- (5) On/Off Switch (Light Source)
- (6) Eyepiece