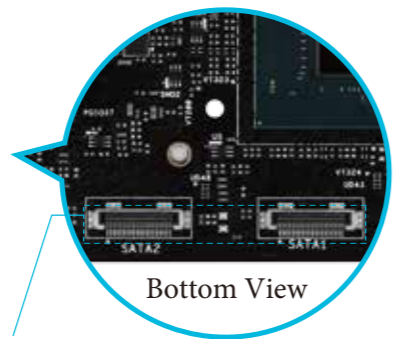
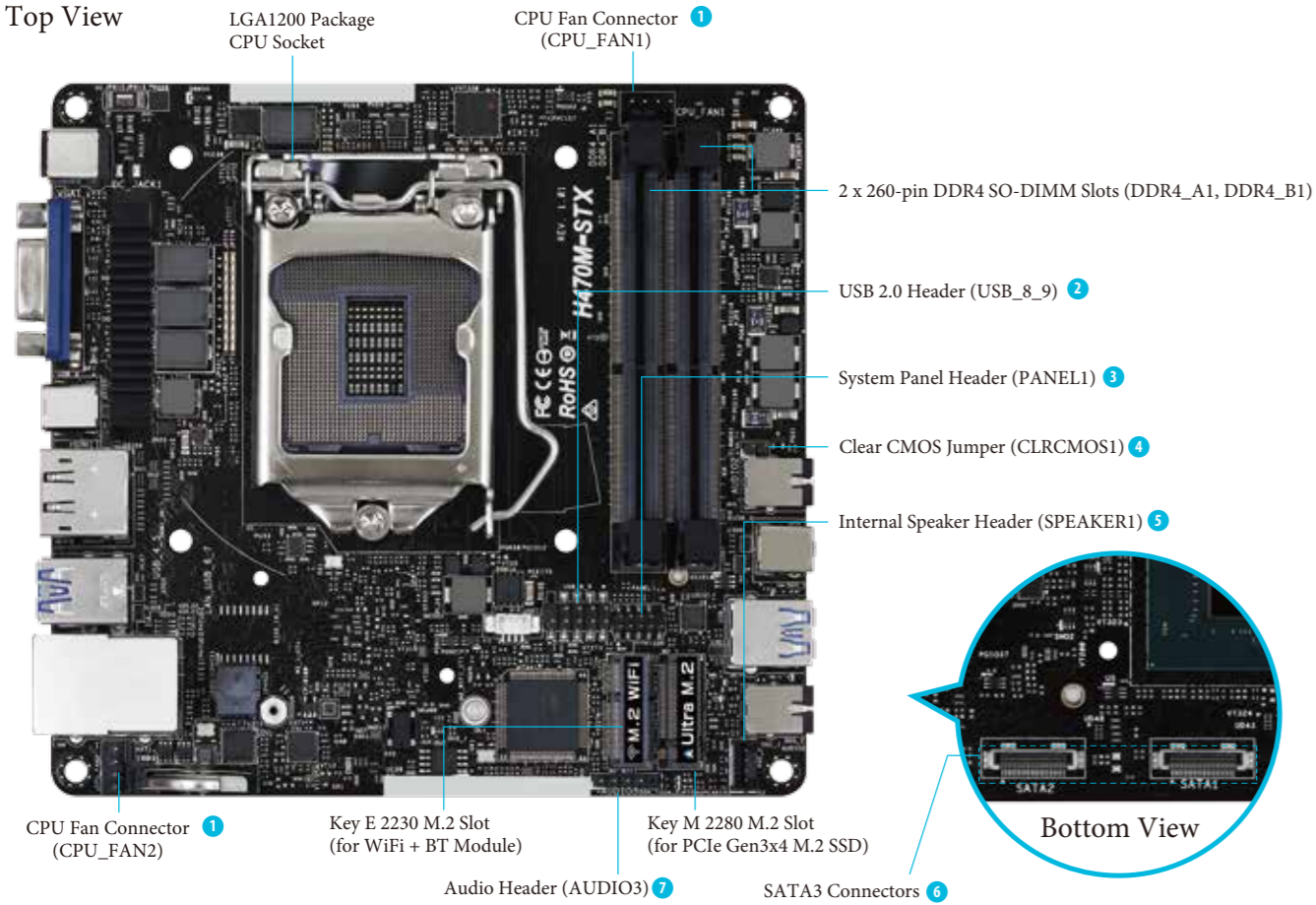




**Motherboard Layout** 主機板構造圖 / Motherboard-Layout / Carte mère / layout della scheda madre / tarjeta madre / Материнские платы Макет  
Disposição da placa-mãe / 메인 보드 레이아웃 / 마ザーボード의 레이아웃 / 主板构造图

**Top View**



**Onboard Connectors** 主機板元件 / Onboard-Anschlüsse / Connecteurs à bord / Connettori a bordo / Conectores a bordo / Бортовые соединители  
Conectores de bordo / 온보드 커넥터 / 온보드 코넥타 / 主板組件

**1 CPU Fan Connectors**

CPU\_FAN1: FAN\_SPEED\_CONTROL, CPU\_FAN\_SPEED, FAN\_VOLTAGE, GND (1, 2, 3, 4)

CPU\_FAN2: FAN\_SPEED\_CONTROL, CPU\_FAN\_SPEED, FAN\_VOLTAGE, GND (4, 3, 2, 1)

**2 USB 2.0 Header (USB\_8\_9)**

USB\_PWR, GND, P+, P-, GND, DUMMY, GND, P+, USB\_PWR (1)

**3 System Panel Header (PANEL1)**

PLED+, PLED-, PWRBTN#, GN D, GND, RESET#, GND, HDLED-, HDLED+, GND (1)

**4 Clear CMOS Jumper (CLRCMOS1)**

GND, SIGNAL (1)

**5 Internal Speaker Header (SPEAKER1)**

Front\_L-, Front\_L+, Front\_R+, Front\_R- (1)

**6 SATA3 Connectors**

PIN	Signal Name	PIN	Signal Name
1	GND	11	N/A
2	LVDS_TX+	12	SV
3	LVDS_TX-	13	SV
4	GND	14	SV
5	GND	15	SV
6	LVDS_RX-	16	SV
7	LVDS_RX+	17	N/A
8	GND	18	GND
9	GND	19	GND
10	GND	20	GND

**7 Audio Header (AUDIO3)**

Audio-R, Audio-L, Jack detect, GND (1)

**8 M.2 Sockets**

The Ultra M.2 Socket (M2\_1) supports type 2280 M.2 SATA3 6.0 Gb/s module and M.2 PCI Express module up to Gen3 x4 (32 Gb/s).

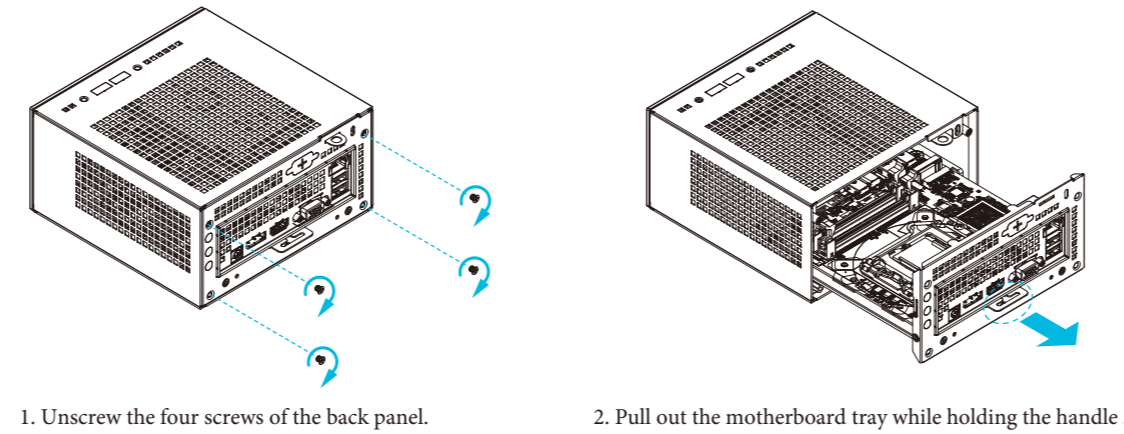
**9 SATA3 Connectors**

Top Side View

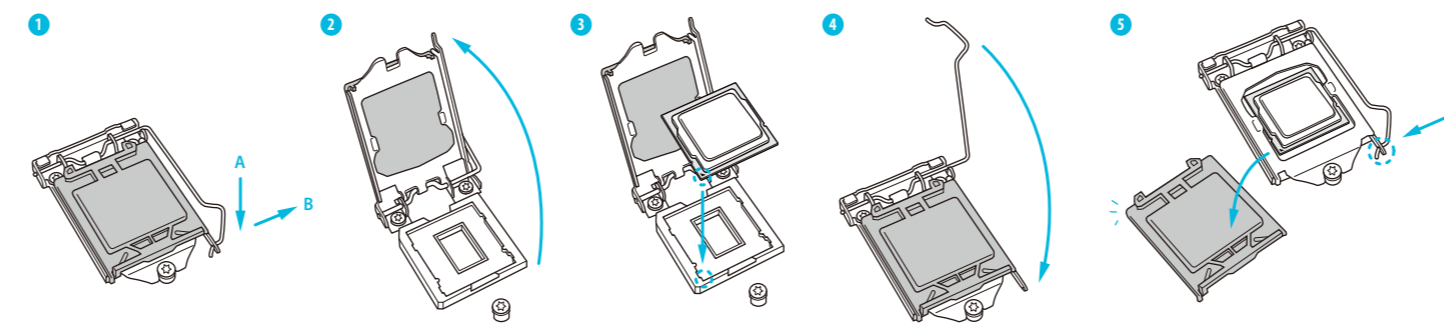
Back Side View

**Hardware Installation** 硬體安裝 / Hardware-Installation / Installation du matériel / Installazione hardware / Instalación de hardware / Установка оборудования  
Instalação de hardware / 하드웨어 설치 / 하드웨어의 인스톨 / 硬件安裝

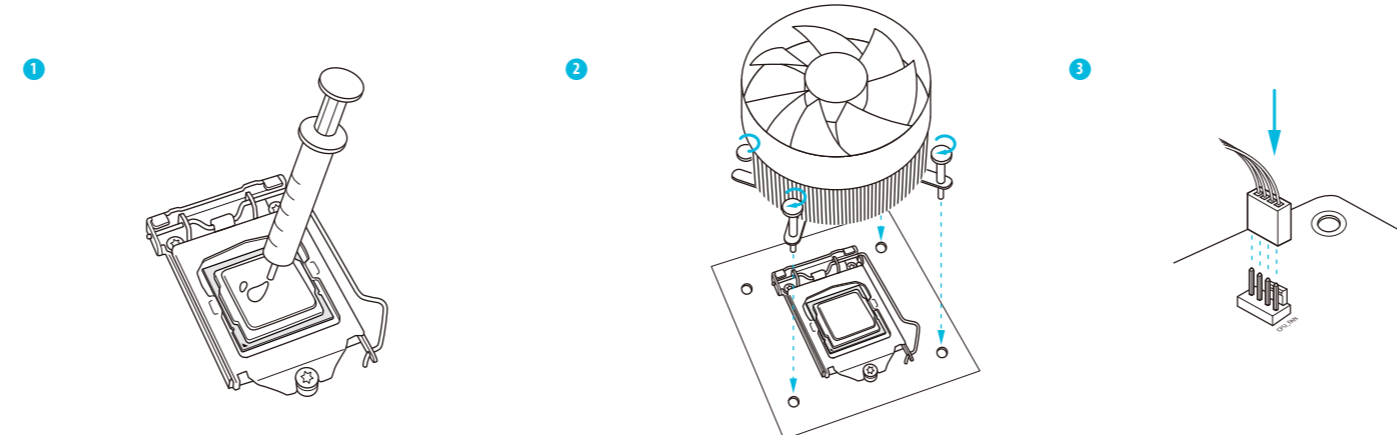
**A Begin Installation**



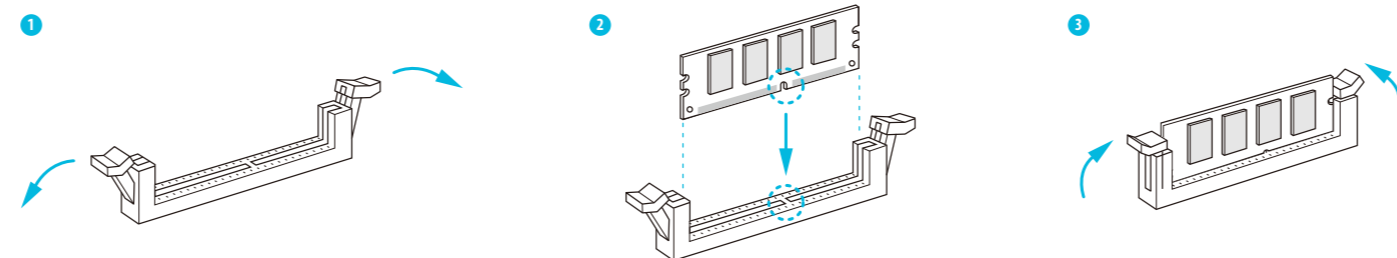
**B Installing the CPU**



**C Installing the CPU Fan and Heatsink**

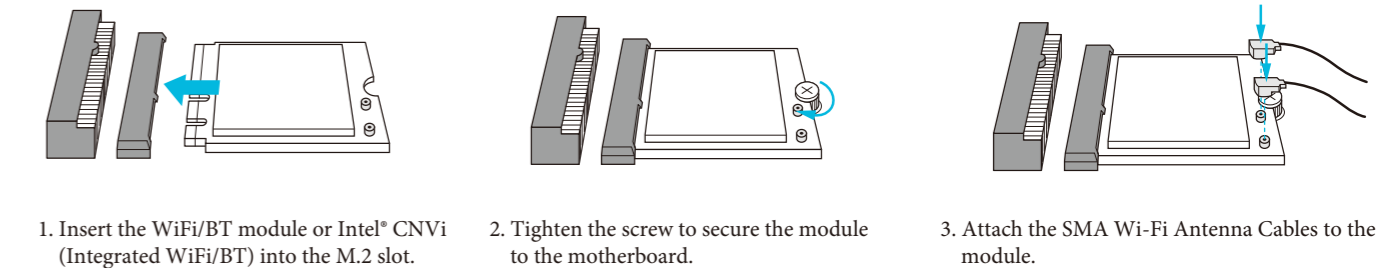


**D Installing Memory Modules (DDR4 SO-DIMM)**

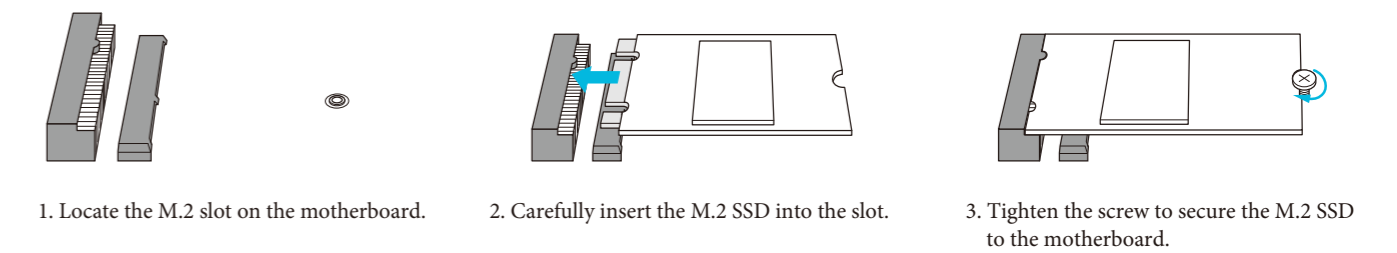


\*The DeskMini H470 series requires DDR4 SO-DIMM.  
\*For dual channel configuration, you always need to install identical (the same brand, speed, size and chip-type) DDR4 SO-DIMM pairs.

**E Installing the M.2 WiFi/BT Module and Intel® CNVi (Integrated WiFi/BT)**



**F Installing the Type 2280 Ultra M.2 SSD (SATA3 6Gb/s & PCIe Gen3 x 4)**



**G Installing the 2.5-inch HDD/SSD**

