

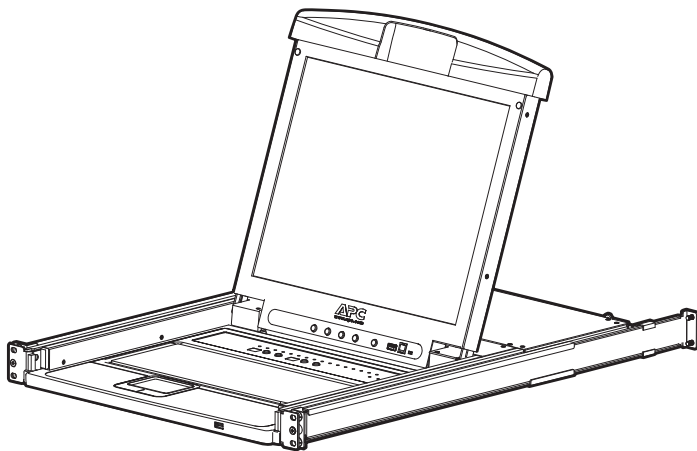
User Manual

Rack LCD Console KVM Switch

AP5808, AP5816

Manual Number: 990-3770D-001

Publication Date: 1/2021



APC by Schneider Electric Legal Disclaimer

The information presented in this manual is not warranted by the APC by Schneider Electric to be authoritative, error free, or complete. This publication is not meant to be a substitute for a detailed operational and site specific development plan. Therefore, APC by Schneider Electric assumes no liability for damages, violations of codes, improper installation, system failures, or any other problems that could arise based on the use of this Publication.

The information contained in this Publication is provided as is and has been prepared solely for the purpose of evaluating data center design and construction. This Publication has been compiled in good faith by APC by Schneider Electric. However, no representation is made or warranty given, either express or implied, as to the completeness or accuracy of the information this Publication contains.

IN NO EVENT SHALL APC BY SCHNEIDER ELECTRIC, OR ANY PARENT, AFFILIATE OR SUBSIDIARY COMPANY OF APC BY SCHNEIDER ELECTRIC OR THEIR RESPECTIVE OFFICERS, DIRECTORS, OR EMPLOYEES BE LIABLE FOR ANY DIRECT, INDIRECT, CONSEQUENTIAL, PUNITIVE, SPECIAL, OR INCIDENTAL DAMAGES (INCLUDING, WITHOUT LIMITATION, DAMAGES FOR LOSS OF BUSINESS, CONTRACT, REVENUE, DATA, INFORMATION, OR BUSINESS INTERRUPTION) RESULTING FROM, ARISING OUT, OR IN CONNECTION WITH THE USE OF, OR INABILITY TO USE THIS PUBLICATION OR THE CONTENT, EVEN IF APC BY SCHNEIDER ELECTRIC HAS BEEN EXPRESSLY ADVISED OF THE POSSIBILITY OF SUCH DAMAGES. APC BY SCHNEIDER ELECTRIC RESERVES THE RIGHT TO MAKE CHANGES OR UPDATES WITH RESPECT TO OR IN THE CONTENT OF THE PUBLICATION OR THE FORMAT THEREOF AT ANY TIME WITHOUT NOTICE.

Copyright, intellectual, and all other proprietary rights in the content (including but not limited to software, audio, video, text, and photographs) rests with APC by Schneider Electric or its licensors. All rights in the content not expressly granted herein are reserved. No rights of any kind are licensed or assigned or shall otherwise pass to persons accessing this information.

This Publication shall not be for resale in whole or in part.

Table of Contents

- General Information 1
 - Safety 1
 - Safety instructions for the Rack LCD Console KVM Switch 2
 - Components 3
 - Front View 3
 - Rear View 4
 - Compatible Cables 4
- Installation 5
 - Brackets 5
 - Single KVM Rack LCD Installation 6
 - KVM cable installations 6
 - Power On the KVM Rack LCD 6
 - Multiple KVM Switches Installed in Series 6
 - Installation 6
 - Server connections 6
 - Power On the KVM Rack LCD and KVM switches 6
- Operation 7
 - Basic Functions 7
 - Open the KVM Rack LCD 7
 - Close the KVM Rack LCD 7
 - Power off and restart 7
 - OSD (On Screen Display) configuration 7
 - Monitor settings 7
 - Hot Plugging 8
 - Port Selection 8
 - Port ID Numbering 8
 - USB Peripheral Devices 8
 - On Screen Display (OSD) Operation 9
 - OSD Overview 9
 - OSD Login 9
 - OSD Hotkey 9
 - OSD Main Screen 9
 - OSD Main Screen Headings 9
 - OSD Navigation 9
 - OSD Functions 10
 - F5: SKP 13
 - F6: BRC 13
 - F7: SCAN 13
 - F8: LOUT 13

Keyboard Port Operation	14
Hotkey Port Control	14
Invoke Hotkey Mode	14
Selecting the Active Port	14
Auto Scan Mode	15
Skip Mode	15
Keyboard/Mouse Reset	15
Hotkey Beeper Control	15
Quick Hotkey Control	16
OSD Hotkey Control	16
Port OS Control	16
Restore Default Values	16
Hotkey Summary Table	17
Firmware Upgrade Utility	18
Introduction	18
Downloading the Firmware Upgrade Package	18
Preparation	18
Start the Upgrade	18
Upgrade Succeeded	18
Upgrade Failed	18
Firmware Upgrade Recovery	18
Troubleshooting	19
Specifications	19
Connection Tables	20
OSD Factory Default Settings	21
Dedicated Hotkeys	21
SPHD Connectors	21
Warranty	22
Two-Year Factory Warranty	22
Terms of warranty	22
Non-transferable warranty	22
Exclusions	22
Warranty claims	22

General Information

Safety

Read the instructions carefully to become familiar with the equipment before trying to install, operate, service, or maintain it. The following special messages may appear throughout this manual or on the equipment to warn of potential hazards or to call attention to information that clarifies or simplifies a procedure.



The addition of this symbol to a Danger or Warning safety label indicates that an electrical hazard exists which will result in personal injury if the instructions are not followed.



This is the safety alert symbol. It is used to alert you to potential personal injury hazards. Obey all safety messages that follow this symbol to avoid possible injury or death.

⚠ DANGER

DANGER indicates an imminently hazardous situation which, if not avoided, will result in death or serious injury.

⚠ WARNING

WARNING indicates a potentially hazardous situation which, if not avoided, can result in death or serious injury.

⚠ CAUTION

CAUTION indicates a potentially hazardous situation which, if not avoided, can result in minor or moderate injury.

NOTICE

NOTICE addresses practices not related to physical injury including certain environmental hazards, potential damage or loss of data.

Safety instructions for the Rack LCD Console KVM Switch

Read and adhere to the following important safety considerations when working with the **Integrated Analog KVM** (Keyboard, Video, Monitor Switch) **Rack LCD** (Liquid Crystal Diode Monitor).

Read all of the instructions. Follow all warnings and instructions. All work must be performed by APC by Schneider Electric authorized personnel only.

DANGER

HAZARD OF ELECTRIC SHOCK, EXPLOSION, OR ARC FLASH

- Avoid circuit overload. Before energizing, review the electrical specifications in the product documentation.
- Use only the supplied power cord or a power cord approved for use in your region.
- The cord must have voltage and current ratings equal to or greater than those of the product rating label requirements.
- Plug the power cord into a grounded (earthed) outlet that is easily accessible. Do not disable the grounding pin.
- Class I equipment. This equipment must be earthed. The power plug must be connected to a properly wired earth ground socket outlet. An improperly wired socket outlet could place hazardous voltages on accessible metal parts.
- Make sure that all equipment, including power strips, is properly grounded.
- The AC inlet is the main disconnect device for the product.
- This product has no user-serviceable parts inside. Do not remove product cover. All repairs should be performed by authorized personnel only.

Failure to follow these instructions will result in death or serious injury.

CAUTION

HAZARD OF EQUIPMENT DAMAGE

- Do not connect the RJ-11 connector marked "UPGRADE" to any telecommunication network.
- Plugging in devices other than those specified in the product documentation may result in equipment damage
- Allow sufficient airflow for safe operation. To avoid overheating, make sure the product enclosure openings are never blocked or covered. Rack temperature must be less than 40°C.
- Uneven mechanical loading can create a hazardous condition.
- Do not use the product as a shelf.
- Use only the installation mounting hardware provided to avoid damage.

Failure to follow these instructions can result in injury or equipment damage.

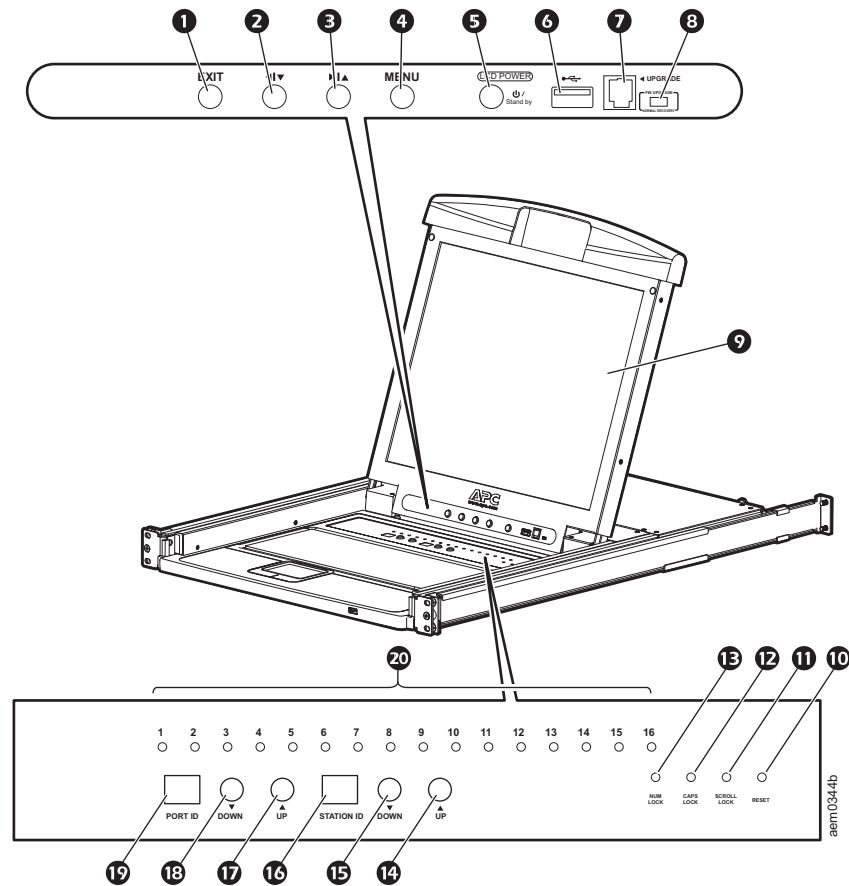
NOTICE

- Do not use the device near water, Never spill liquid of any kind on the device.
- Unplug the device from the wall outlet before cleaning. Do not use liquid or aerosol cleaners. Use a damp cloth for cleaning.
- To help protect your system from sudden, transient increases and decreases in electrical power, use a surge suppressor, line conditioner, or uninterruptible power supply (UPS).
- Before working on the rack, make sure that the stabilizers are secured to the rack, extended to the floor, and that the full weight of the rack rests on the floor. Install front and side stabilizers on a single rack or front stabilizers for joined multiple racks before working on the rack.
- Position system cables and power cables carefully; Be sure that nothing rests on any cables.
- Never push objects of any kind into or through cabinet slots. They may touch dangerous voltage points or short out parts resulting in a risk of fire or electrical shock.
- Always load the rack from the bottom up, and load the heaviest item in the rack first.
- Make sure that the rack is level and stable before extending a device from the rack.
- Use caution when pressing the device rail release latches and sliding a device into or out of a rack; the slide rails can pinch your fingers.
- After a device is inserted into the rack, carefully extend the rail into a locking position, and then slide the device into the rack.
- Do not overload the AC supply branch circuit that provides power to the rack. The total rack load should not exceed 80 percent of the branch circuit rating.
- Make sure that all equipment used on the rack, including power strips and other electrical connectors, is properly grounded.
- Ensure that proper airflow is provided to devices in the rack.
- Ensure that the operating ambient temperature of the rack environment does not exceed the maximum ambient temperature specified for the equipment by the manufacturer
- Do not step on or stand on any device when servicing other devices in a rack.
- Equipment mounted on rails should not act as shelf or work surface.
- Route the power cord and cables so that they cannot be stepped on or tripped over.

This equipment is suitable for installation in Information Technology rooms in accordance with Article 645 of the National Electric Code and NFPA 75.

Components

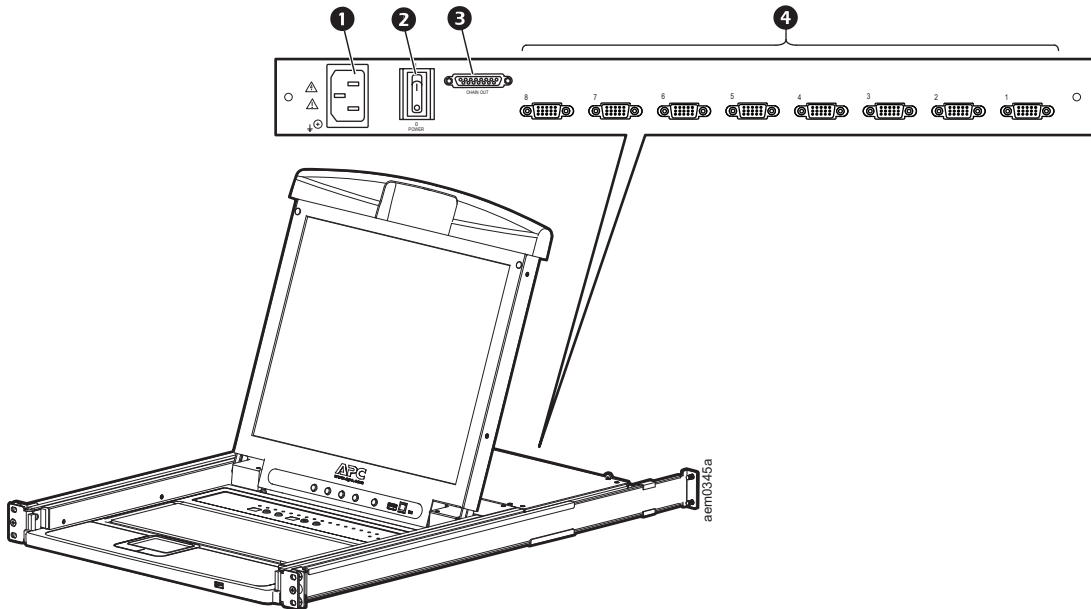
Front View



Item Number	Component	Description
1	EXIT button	<p>1. Pressing the EXIT button without opening the On Screen Display (OSD) initiates an auto adjustment which restores the display defaults of the OSD.</p> <p>2. While the OSD user interface is in use, press the EXIT button to exit the current menu and return to the previous menu or press the EXIT button to leave an adjustment menu when the adjustment is complete.</p> <p>3. From the Main Menu screen, pressing the EXIT button, will exit the OSD.</p>
2	Left/Down Arrows button	Pressing this button moves left or down through the menu and decreases the value when making an adjustment.
3	Right/Up Arrows button	Pressing this button moves right or up through the menu and increases the value when making an adjustment.
4	MENU button	<p>1. If the OSD user interface has not been opened, pressing the MENU button initiates it and brings up the Main menu.</p> <p>2. While the OSD user interface is in use, when a setting choice is reached, pressing the MENU button brings up the setting's adjustment screen.</p>
5	LCD POWER button	Turns on power to the LCD monitor. An LED light next to the switch will illuminate when the monitor is in stand-by (power-saver) mode.
6	USB port	Connect a peripheral device (flash drive, CD-ROM drive) to the KVM Rack LCD.
7	UPGRADE port	An RJ-11 port to be used to transfer firmware upgrades from the administrator's server to the KVM Rack LCD.
8	FW UPGRADE NORMAL / RECOVERY	The Firmware Upgrade switch should be in the NORMAL position during normal operation of the KVM Rack LCD. The switch is set to RECOVERY only when a Firmware Upgrade Recovery is performed. (See "Firmware Upgrade Recovery" on page 18 for more information.)
9	LCD monitor	The LCD display monitor of the KVM Rack LCD.
10	RESET switch	Press this recessed switch in with a small object (such as a pen point) to perform a system reset.

- ⑪ SCROLL LOCK LED When illuminated, the SCROLL LOCK LED indicates the scroll lock function on the keyboard is enabled.
- ⑫ CAPS LOCK LED When illuminated, the CAPS LOCK LED indicates the capitals lock function on the keyboard is enabled.
- ⑬ NUM LOCK LED When illuminated, the NUM LOCK LED indicates the number lock function on the keyboard is enabled.
- ⑭ STATION ID UP button Station ID selection button. Pressing the UP button repeatedly scrolls up through the list of available stations.
- ⑮ STATION ID DOWN button Station ID selection button. Pressing the DOWN button repeatedly scrolls down through the list of available stations.
- ⑯ STATION ID LED display Two digit LED display shows the Station ID.
- ⑰ PORT ID UP button Port ID selection button. Pressing the UP button repeatedly scrolls up through the list of available ports.
- ⑱ PORT ID DOWN button Port ID selection button. Pressing the DOWN button repeatedly scrolls down through the list of available ports.
- ⑲ PORT ID LED display Two digit LED display shows the Port ID.
- ⑳ ON LINE LED display When lit, indicates the computer attached to that port is up and running.

Rear View



Item Number	Component	Description
①	Power Socket	Standard 3-prong AC power socket.
②	Power Switch	Standard ON/OFF rocker switch
③	CHAIN OUT Port	Port for connecting KVM stations in series to the KVM Rack LCD
④	KVM Port Section	The plugs for the cables that connect to the servers.

Compatible Cables

PS2 KVM Cable	USB KVM Cable (green overmolding)
AP5264	AP5821
AP5250	AP5822
AP5254	AP5823
AP5258	

Installation

⚠ ⚠ DANGER

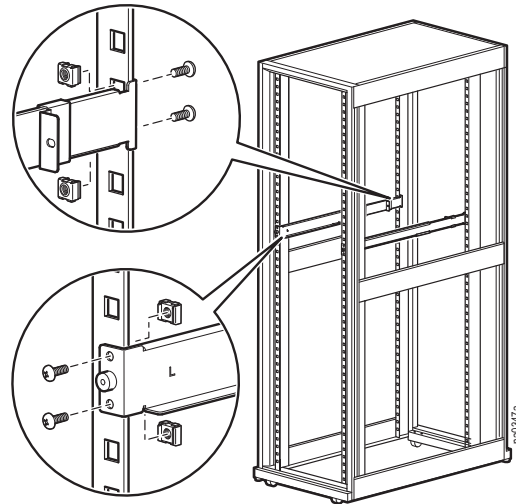
HAZARD OF ELECTRIC SHOCK, EXPLOSION, OR ARC FLASH

- Plug the power cord into a grounded (earthed) outlet that is easily accessible. Do not disable the grounding pin.
 - Make sure that all equipment, including power strips, is properly grounded.
- Failure to follow these instructions will result in death or serious injury.**

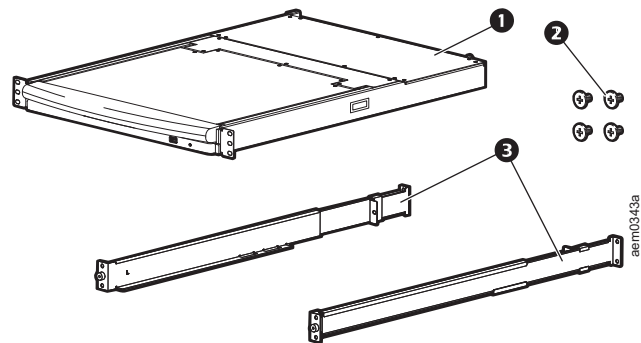
Brackets

Use only the hardware provided to install the KVM Rack LCD in the rack.

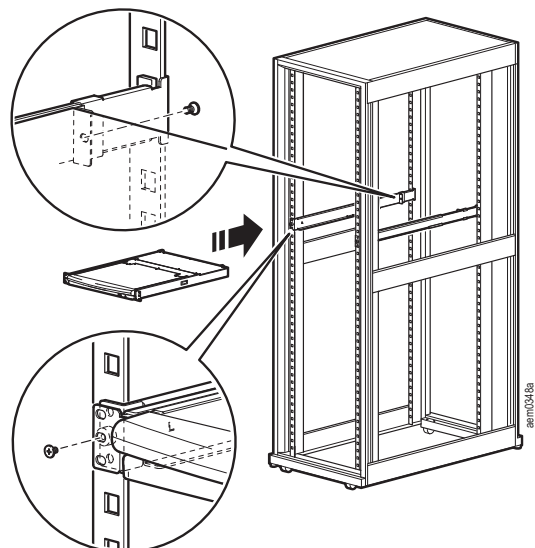
1. Attach the left and right mounting rails to the inside of the rack. The flange that supports the KVM Rack LCD station will be to the inside.
 - Screw the front flanges to the rack first.
2. Slide the bars with the rear flanges toward the rack until the flanges make contact with the rack then screw the rear flanges to the rack.



3. Slide the KVM Rack LCD (1) onto the support flanges (3). Use the screws (2) supplied to loosely attach the front of the KVM Rack LCD to the front of the rack.
 - Do not fully tighten the screws at this time.



4. Slide the rear attachment sliding brackets along the slide bars until they contact the rear of the KVM Rack LCD. Use the supplied screws to attach the bars to the rear of the KVM Rack LCD switch. Fully tighten these screws.
5. Slide the KVM Rack LCD open and closed two or three times to be sure it is operating smoothly.
6. If the KVM Rack LCD is moving properly in the brackets, fully tighten the screws inserted in step 3.



Single KVM Rack LCD Installation

In a single KVM Rack LCD installation, there are no additional KVM switches to be connected.

KVM cable installations

A custom cable is required for each server connection. The KVM end of the cable will only fit the modified SPHD port of the KVM Rack LCD or the KVM switch.

1. The USB KVM cable connects to the monitor port and to a USB port of the server
2. The PS/2 KVM cable connects to the monitor, keyboard and mouse ports of the server.

NOTE: The maximum distance between the KVM Rack LCD and a server is 10m (32.8 ft).

Power On the KVM Rack LCD

1. Plug the power cord into the power socket on the KVM Rack LCD and into an AC power outlet.
2. Place the power switch on the back of the KVM Rack LCD in the ON position to apply power.

Multiple KVM Switches Installed in Series

NOTICE

- Only APC KVM switches (AP5201 and AP5202) are recommended for use with the APC KVM Rack LCD. For more information, refer to the KVM switch manuals.
- The distance between any two KVM switches in the series cannot exceed 15 meters.
- The distance between the KVM Rack LCD and the last KVM switch in the series cannot exceed 100 meters (328 ft).

Installation

Up to 31 KVM switches can be cascaded from your KVM Rack LCD.

1. Make sure power is off to all of the KVM switches.
2. Use a KVM-to-KVM cable to connect the CHAIN OUT port of the KVM Rack LCD to the CHAIN IN port of the first KVM switch in the series.
3. Connect the next KVM switch to the previous KVM switch using another in-series cable. Connect the cable to the CHAIN OUT port of the previous KVM switch and the CHAIN IN port of the current KVM switch.
4. Continue connecting the KVM switches in this way until all KVM switches are connected.

Server connections

NOTE: The maximum distance between the KVM Rack LCD (or a KVM switch) and a server is 10m (32.8 ft).

1. A custom cable is required for each server connection. The KVM end of the cable will only fit the modified SPHD port of the KVM Rack LCD or the KVM switch.
 - a. The USB KVM cable connects to the monitor port and to a USB port of the server
 - b. The PS/2 KVM cable connects to the monitor, keyboard and mouse ports of the server.
2. Connect each server to the KVM Rack LCD or to a KVM switch in the series.

Power On the KVM Rack LCD and KVM switches

1. Plug the power cord into the power socket on the KVM Rack LCD and into an AC power outlet.
2. Place the power switch on the back of the KVM Rack LCD in the ON position to apply power.
3. Plug in and turn the power on at each KVM switch in the installation in turn (first station, second station, then third and so on). Wait for the station ID to be identified and displayed before powering on the next KVM switch.

Operation

Basic Functions

NOTE: This product is not intended for the display of personal information.

Open the KVM Rack LCD

To access the console, slide the KVM Rack LCD out of the rack and raise the cover.

Do not lean your body weight on the keyboard. Do not place heavy objects on the keyboard.

Close the KVM Rack LCD

Close the cover and slide the KVM Rack LCD back into the rack.

Power off and restart

1. Place the power switch on the back of the KVM Rack LCD in the OFF position to remove power.
2. Unplug the KVM Rack LCD or KVM switch from its power source.
3. Wait 10 seconds, then plug the KVM Rack LCD or KVM switch back in.
4. Place the power switch on the back of the KVM Rack LCD in the ON position to apply power.

Unplug any servers that have the **Keyboard Power On** function from the KVM Rack LCD to prevent the KVM Rack LCD from receiving power from the servers.

If KVMs in a series have been shut down, power up the KVM Rack LCD first and work down to the last station in the tier.

OSD (On Screen Display) configuration

Button	Function
MENU	<ol style="list-style-type: none">1. Starting: Pressing the MENU button initiates the OSD and brings up the Main menu.2. While the OSD user interface is in use, when a setting choice is reached, pressing the MENU button brings up the setting adjustment window for the monitor.
Right/Up Arrow Button	Clicking the Right/Up Arrow button moves the cursor Right or Up through the menus, or increases the value when making an adjustment.
Left/Down Arrow Button	Clicking the Left/Down Arrow button moves the cursor Left or Down through the menus, or decreases the value when making an adjustment.
EXIT	<ol style="list-style-type: none">1. If the OSD user interface has not been started, pressing the EXIT button initiates an auto adjustment which restores the display defaults.2. While the OSD is in use, pressing the EXIT button will exit the current menu and return to the previous menu. To leave an adjustment menu, press the EXIT button when the adjustment is complete.3. From the Main Menu screen, pressing the EXIT button, will exit the OSD.

Monitor settings

Setting	Explanation
Brightness	Adjust the brightness level of the screen.
Contrast	Adjust level of color difference between foreground and background colors.
Phase	Adjust the phase setting of the screen so that no dark horizontal bands are visible.
Clock	Adjust the clock setting of the screen so that no dark vertical bands are visible.
H-Position	Moves the display area left or right.
V-Position	Moves the display area up or down.
Color Temperature	Adjusts the color quality of the display. The Adjust Color selection has a submenu that allows fine tuning of RGB values.
Language	Select the language in which the OSD displays menus.
OSD Duration	Adjust the number of seconds before the On Screen Display shuts down due to inactivity.
Reset	Resets all menus and submenus to factory default settings.

NOTE: See "EXIT" on page 7 for information on setting the auto-adjust feature.

Hot Plugging

Components can be added or removed by plugging in or unplugging the cables from the ports without shutting down the KVM Rack LCD or KVM switches.

Change station positions. Disconnect the KVM switch from its position in the series. Connect the KVM switch to the CHAIN OUT port of the KVM switch which will now be ahead of it in the series and to the CHAIN IN port of the KVM switch that will follow it in the series. Reset the station IDs in the OSD so the OSD menus will correspond to the change. See “RESET STATION IDS” on page 12.

Hot Plug KVM server ports. Add servers by plugging the custom cable from the server into an available KVM port on the KVM Rack LCD or KVM station. (Remove servers by unplugging them from the port.) Reconfigure the OSD to reflect the new (Port ID and Station ID) information. See “F3: SET” on page 10 and “F4: ADM” on page 11 for more information.

Port Selection

The KVM Rack LCD provides three port selection methods to access the servers on installation:

- Manual - See “Manual port switching.” on this page.
- Menu system - See “On Screen Display (OSD) Operation” on page 9.
- Hotkeys - See “Keyboard Port Operation” on page 14.

Manual port switching. Use the UP and DOWN Port ID and Station ID selection buttons (see page 4 for the location) to change the focus of the KVM Rack LCD or KVM station to any port on the installation. Clicking repeatedly on either the UP or DOWN Port ID or Station ID selection buttons cycles through the list of available ports or stations.

Port ID Numbering

Each KVM port in the installation is assigned a unique Port ID. The Port ID is made up of the Station Number and the Port Number.

Example: A server attached to Port 6 of Station 12 has a **Port ID of 12-06.**

- The Station Number is a two digit number that signifies the position of the KVM Rack LCD or a KVM station in the series. This number is displayed on the Station ID LED display of the KVM Rack LCD. See “STATION ID LED display” on page 4 for more information.
- The Port Number is a two digit number of the port that a server is connected to on the KVM Rack LCD or a KVM station in the series. This number is displayed on the Port ID LED display of the KVM Rack LCD.
- The Station Number precedes the Port Number in a Port ID number. See “PORT ID LED display” on page 4 for more information.
- Single digit Station and Port numbers (1-9) are presented in two digit form (01 through 09).

USB Peripheral Devices

The front panel USB port is available to connect a USB peripheral device (flash drive, CD-ROM drive, printer, etc.) to the KVM Rack LCD. Any server connected to the KVM Rack LCD station can access the USB peripheral on a one-at-a-time basis. The USB peripheral device is not available to servers on other KVM stations in the series.

The USB peripheral device is automatically detected on target servers when switching ports on the KVM Rack LCD. For example, when switching from a server connected to port 1 to a server connected to port 2, the USB peripheral device automatically disconnects from the server on port 1 and connects to the server on port 2. Use only cables listed in the table on page 4.

On Screen Display (OSD) Operation

OSD Overview

The OSD user interface is a mouse and keyboard enabled, menu driven method to handle server control and switching operations. All procedures start from the OSD main screen.

OSD Login

The OSD incorporates a two level (administrator/user) password system. Before the OSD main screen displays, a login screen appears requiring a password. If this is the first time that the OSD is used, or if the password function has not been set, press the **Enter** key. The OSD main screen will display in administrator mode. In this mode, you have administrator privileges, with access to all administrator and user functions, and can set up operations (including password authorization) as you like. However, if the password function has been set, you must provide an appropriate administrator/user password in order to access the OSD.

OSD Hotkey

One method to enter the OSD is to press the **Scroll Lock** key twice in rapid succession. You must already be logged on. There is also a dedicated key on the keyboard to make it easy to enter the OSD. The **OSD Hotkey** key is a toggle. Press once to invoke the feature. Press again to exit. See “Dedicated Hotkeys” on page 21 for more information.

NOTE: The OSD hotkey can be changed from the **Scroll Lock** key to the **Ctrl** key. The function is the same in that the **Ctrl** key is pressed twice to invoke the display. Only one of the two **Ctrl** keys is used.

OSD Main Screen

1. The **User** main screen does not show the **F4** and **F6** functions, since these are reserved for the **Administrator** and can't be accessed by users.
2. The OSD always starts in the list view, with the highlight bar at the same position it was in the last time it was closed.
3. Only ports accessible for the current logged in user are visible. The administrator sets accessibility. See “SET ACCESSIBLE PORTS” on page 11 for more information.
4. If the port list is collapsed, click on a switch number, or move the highlight bar to the switch number then press the right arrow key to expand the list. To collapse the list, click on the switch number or move the highlight bar to the list, then press the left arrow key.

OSD Main Screen Headings

Heading	Description
SN--PN	Lists the Port ID numbers (station number and port number) for all the KVM ports on the installation. To access a particular server move the highlight bar to it and press the Enter key.
QV	Quick View. See “SET QUICK VIEW PORTS” on page 12. An arrowhead displays in the QV column. Shown by the servers that are powered on and are online.
Name	Displays the port name. See “EDIT PORT NAMES” on page 12 for more information.

OSD Navigation

- To close the menu, and deactivate the OSD, click the **X** at the upper right corner of the OSD window, or press the **Esc** key.
- Click **F8** at the top of the main screen or press the **F8** key to log out. See “F8: LOUT” on page 13 for more information.
- To move up or down through the list one line at a time, click the up and down arrow symbols or use the up and down arrow keys. The main screen will scroll if there are more list entries than can fit on the screen.
- To move up or down through the list one screen at a time, click the up and down arrow symbols or use the **Page Up** and **Page Down** keys. The main screen will scroll if there are more list entries than can fit on the screen.
- Double-click or move the highlight bar to the port selection on the list to activate the port.
- The menu defaults automatically to one menu above the last action following execution of the action.

OSD Functions

OSD functions are used to configure and control various operations. Switch ports, scan selected ports, limit the viewing list, designate a port as a **Quick View** port, create or edit a port name, or make OSD setting adjustments.

To access an OSD function:

- Either click a function key field at the top of the main screen, or press a function key on the keyboard.
- In the submenus that appear, make your choice either by double-clicking or moving the highlight bar to the selection, then pressing the **Enter** key.
- Press the **Esc** key to return to the previous menu.

F1: GOTO. Click on the **F1** field or press the **F1** key to activate the GOTO function. GOTO allows you to switch directly to a port by entering the name of the port or the Port ID.

- Name method: enter the number **1**, the name of the port, then press the **Enter** key.
- Port ID method: enter the number **2**, the Port ID, then press the **Enter** key.
NOTE: A partial name or Port ID can be entered. All servers (that the user has View rights to) that match the pattern entered will be shown on the screen.
- Press the **Esc** key to return to the OSD main screen without making a choice.

F2: LIST. Increase or decrease the number of ports which the OSD displays on the main screen.

Move the highlight bar to the choice you want, then press the **Enter** key. An icon appears before the selection to indicate that it is the currently selected item.

Setting	Description
ALL	Lists all of the ports on the installation that have been set to accessible by the administrator for the current logged in user.
QUICK VIEW	Lists only the ports that have been selected as quick view ports (see "SET ACCESSIBLE PORTS" on page 11).
POWERED ON	Lists only the ports that have the attached servers powered on.
QUICK VIEW + POWERED ON	Lists only the ports that have been selected as quick view ports (see "SET QUICK VIEW PORTS" on page 12), and that have the attached servers powered on.

F3: SET. This function allows the administrator and each user to set up his own working environment. A separate profile for each is stored by the OSD and is activated according to the user name that was provided during login.

To change a setting:

1. Double-click or move the highlight bar to the item, then press the **Enter** key.
2. A submenu with further choices appears following item selection. Double-click or move the highlight bar to the submenu item, then press the **Enter** key. An icon appears before the item to indicate that it is the currently selected item.

Setting	Function
OSD HOTKEY	Selects which hotkey activates the OSD function: Press the Scroll Lock (or Ctrl) key twice. Since the Ctrl key combination may conflict with programs running on the servers, the default is the Scroll Lock combination.
PORT ID DISPLAY POSITION	Allows each user to customize the position where the port ID appears on the screen. The default is the upper left corner, but users can choose to have it appear anywhere on the screen. Use the mouse or the arrow keys plus Pg Up, Pg Dn, Home, End, and 5 (on the numeric keypad with Num Lock off), to position the port ID display, then double-click or press the Enter key to lock the position and return to the Set submenu.
PORT ID DISPLAY DURATION	Determines how long a port ID displays on the monitor after a port change has taken place. The choices are: 3 Seconds (default) and ALWAYS OFF.
PORT ID DISPLAY MODE	Selects how the port ID is displayed: the port number plus the port name (PORT NUMBER + PORT NAME) (default); the port number alone (PORT NUMBER); or the port name alone (PORT NAME).
SCAN DURATION	Determines how long the focus dwells on each port as it cycles through the selected ports in Auto Scan mode (see "F7: SCAN" on page 13). Key in a value from 1-255 seconds, then press the Enter key. Default is 5 seconds; a setting of 0 disables the SCAN function.

Setting	Function
SCAN-SKIP MODE	<p>Selects which servers will be accessed under Skip mode (see “F5: SKP” on page 13), and Auto Scan mode (see “F7: SCAN” on page 13). Choices are:</p> <p>ALL - All the ports which have been set accessible (see “SET ACCESSIBLE PORTS” on page 11)</p> <p>QUICK VIEW - Only those ports which have been set to accessible and have been selected as quick view ports (see “SET QUICK VIEW PORTS” on page 12)</p> <p>POWERED ON - Lists only the ports which have been set to accessible and have their attached servers powered on</p> <p>QUICK VIEW + POWERED ON - Lists only the ports that have been selected as quick view ports, and that have their attached servers powered on.</p> <p>Note: The quick view choices only show up on the administrator’s screen, since only he has Quick View setting rights (see “SET QUICK VIEW PORTS” on page 12 for details)</p>
SCREEN BLANKER	Enter a value from 1 to 30 minutes, then press the Enter key. The function will cause the screen to go blank when the selected amount of time has elapsed with no input from the console. The default setting of 0 disables the function.
HOTKEY COMMAND MODE	Select Y (for Yes) to enable and N (for No) to disable the hotkey command function then press the Enter key in case a conflict occurs with programs running on the servers.
HOTKEY	Sets the keyboard shortcut for invoking Hotkey Mode (see page 14). Choices are: [NUM LOCK] + [-] (minus) (default), and [CTRL] + [F12] .
OSD LANGUAGE	Sets the language used in the OSD. Choices are: English, German, French, Spanish, and Russian. Scroll through the list with the arrow keys or move the highlight bar to the language choice and press the Enter key
TOUCHPAD	Select Y (for Yes) to enable and N (for No) to disable the touchpad, then press the Enter key.

F4: ADM. Allows the administrator only to configure and control the overall operation of the OSD.

1. To change a setting, double-click or use the up and down arrow keys to move the highlight bar to the selection and then press the **Enter** key.
2. A submenu with further choices appears following item selection. Double-click or move the highlight bar to the submenu item, then press **Enter**. An icon appears before the item to indicate that it is the currently selected item.

Setting	Function
SET USER LOGIN	<p>Set the login mode, usernames, and passwords for the administrator and users.</p> <ul style="list-style-type: none"> • User names and passwords can be set for one administrator and four users. • Select the administrator or a user field. A screen appears that allows you to enter the user name and password. User names and passwords can be from 1 to 16 characters long and consist of any combination of letters and numbers (A-Z, 0-9) and some additional keys (* () + : - , ? . / space). • For each person, enter the user name and password, confirm the password and press the Enter key. • To edit or delete a user name or password, use the backspace key to delete them from the field, then press the Enter key. • User names and passwords are NOT case sensitive and are displayed in capital letters in the OSD.
SET ACCESSIBLE PORTS	<p>Allows the administrator to define user access to the servers in the installation on a port-by-port basis.</p> <p>For each user, select the target port, then press the spacebar to cycle through the choices: F (full access), V (view only), or blank. Repeat until all access rights have been set, then press the Enter key. The default is F for all users on all ports.</p> <p>NOTE: 1. A blank setting means that no access rights are granted. The port will not show up on the user’s LIST on the main screen.</p> <p>2. The administrator always has full access to all ports.</p>
SET LOGOUT TIMEOUT	Enter a number from 1 to 180 minutes, then press the Enter key. The default setting of 0 disables the function. If there is no input from the console for the time selected, the user is logged out.

Setting	Function
EDIT PORT NAMES	<p>To help remember which server is attached to a particular port, every port can be given a name. The administrator can create, modify, or delete port names. To edit a port name:</p> <ol style="list-style-type: none"> 1. Click the port or move the highlight bar to it then press the Enter key. 2. Enter the new port name, edit or delete the old one. The maximum number of characters allowed for the port name is 12. Legal characters include: <ul style="list-style-type: none"> •All alpha characters: A - Z •All numeric characters 0 - 9 •* () + : - , ? . / and Space <p>Case does not matter. The OSD displays the port name in all capitals no matter how they were entered.</p> <ol style="list-style-type: none"> 3. When editing is complete, press the Enter key to save the changes or press the Esc key to exit without making changes.
RESTORE DEFAULT VALUES	Returns the setup to the original factory default settings except for the port name list, user name and password information which are saved. See "OSD Factory Default Settings" on page 21 for more information.
CLEAR THE NAME LIST	This function clears the port name list. Select Y (for Yes) to confirm and N (for No) to decline the command function, then press the Enter key to complete and return to the previous menu.
ACTIVATE BEEPER	Choices are Y (on), which is the default position, or N (off). When activated, the beeper sounds when a port is changed, when activating the Auto Scan function, or if an invalid entry is made on an OSD menu.
SET QUICK VIEW PORTS	<p>Lets the administrator select which ports to include as quick view ports.</p> <ul style="list-style-type: none"> • To select or deselect a port as a quick view port, double-click the port or use the navigation keys to move the highlight bart to it the press the spacebar. • When a port has been selected as a quick view port, an icon displays in the QV column of the LIST on the main screen. • If one of the quick view options is chosen for the list (see "F2: LIST" on page 10), only a port that has been selected here will display on the list • If one of the quick view options is chosen for auto-scanning (see "SCAN-SKIP MODE" on page 11), only a port that has been selected here will be auto-scanned. <p>The default has no ports selected for quick view.</p>
RESET STATION IDS	<p>If the position of one of the KVM stations in the cascade is changed, the OSD settings will not correspond to the new location. This function directs the OSD to rescan the station positions of the entire installation and updates the OSD so that the OSD station information corresponds to the new physical layout.</p> <p>NOTE: Only the station numbers get updated. Except for the port names, all administrator settings (such as SET ACCESSIBLE PORTS, SET QUICK VIEW PORTS, etc.) must be input again for all of the servers affected by the change.</p>
SET OPERATING SYSTEM	<p>Allows the administrator to define the operating system for the server connected to each KVM port. The default is WIN (PC compatible).</p> <p>To set the port operating system:</p> <ol style="list-style-type: none"> 1. Select the port for the server whose operating system you wish to set. 2. Set the operating system by pressing the spacebar to cycle through WIN, MAC, SUN, or OTHER. Stop on the selection 3. Press the Esc key to exit. The operating system selected is now assigned to the KVM port.
FIRMWARE UPGRADE	<p>To upgrade firmware, first enable Firmware Upgrade mode.</p> <p>Select Y to enable Firmware Upgrade mode or N to leave the menu without enabling. The current firmware version is also displayed here.</p>

F5: SKP

Skip mode. Skip backward or forward, switching the focus from the currently active server to the previous or next available server.

- The selection of servers to be available for skip mode switching is made with the Scan-Skip mode setting under “F3: SET” on page 10.
- In skip mode:
 - Press the left arrow key to switch to the previous server in the list.
 - Press the right arrow key to switch to the next server in the list.
 - Press the up arrow key to switch to the last server on the previous KVM station in the list.
 - Press the down arrow key to switch to the first server on the next KVM station in the list.
- **NOTE:** You can only skip to the previous or next available server in the list.
- If a port has been selected for Scan-Skip mode, a left/right triangle symbol appears before the port ID display when the focus switches to that port.
- Press the **spacebar** or the **Esc** key to exit Skip mode to return to normal operation of the KVM Rack LCD.

F6: BRC

Broadcast (BRC) mode. An administrator only function. Commands sent from the console are broadcast to all available servers on the installation. This function is useful for operations to be performed on multiple servers, such as performing a system wide shutdown or installing or upgrading software.

BRC works with the **F2: LIST** function. The LIST function is used to broaden or narrow the focus of which ports appear on the OSD main screen. When a command is broadcast, it only goes to the ports listed on the OSD main screen.

- A speaker icon appears before the port ID display of the port that has the console focus.
- Press the OSD hotkey, then click the **F6** field on the screen or press the **F6** key to exit the BRC mode and regain control of the console.

F7: SCAN

Auto Scan. Automatically switches among the available servers at regular intervals so that activity can be monitored without manually switching.

- The selection of servers to be included for auto-scanning is made with the Scan-Skip mode setting under the **F3: SET** function (see “F3: SET” on page 10).
- Set the amount of time that each port displays is set with the Scan Duration setting under the **F3: SET** function (“F3: SET” on page 10). To stop at a specific server, press the spacebar.
- The monitor will be blank and the mouse and keyboard will not function while the scanner stops on an empty port or one where the attached server is powered Off. The scan function will move to the next port after the Scan Duration time is up.
- An **S** appears in front of the port ID display while the server is being accessed in the Auto Scan mode.
- To pause the scanning to focus on a particular server, press **P** or left-click the mouse.
- To exit Auto Scan and regain control of the console, press the **spacebar** or **Esc** key.

F8: LOUT

Log Out. Click the **F8** field on the screen or press the **F8** key to log out of OSD control. The screen will go blank. To regain access to the OSD, log in again. (This is different from pressing the **Esc** key when at the main screen to deactivate the OSD. After **Esc** is pressed, to reenter the OSD, press the OSD hotkey.)

NOTE: 1. Upon reentering the OSD after logging out, the screen stays blank except for the OSD main screen. You must log in with your user name and password before continuing.

2. If you reenter the OSD after logging out, and immediately use **Esc** to deactivate the OSD without having selected a port from the OSD menu, a null port message displays on the screen. The OSD hotkey will bring up the main OSD screen.

Keyboard Port Operation

Hotkey Port Control

Hotkey port control provides KVM focus to a selected server from the keyboard.

Features:

- Selecting the active port
- Auto scan mode switching
- Skip mode switching
- Computer Keyboard / Mouse Reset

Settings controlled in Hotkey mode:

- Setting the Beeper
- Setting the Quick Hotkey
- Setting the OSD Hotkey
- Setting the Port Operating System
- Restoring the OSD Default Values

Invoke Hotkey Mode

All hotkey operations begin by invoking Hotkey mode. (Make sure the Hotkey Command Mode function is enabled. See “HOTKEY COMMAND MODE” on page 11 for instructions.) There are two possible keystroke sequences used to invoke Hotkey mode. Only one can be operational at a time.

Number Lock and Minus Keys.

1. Hold down the **Num Lock** key
2. Press and release the minus (-) key
3. Release the **Num Lock** key

[Num Lock] + [-]

Control and F12 Keys.

1. Hold down the **Ctrl** key
2. Press and release the **F12** key
3. Release the **Ctrl** key

[Ctrl] + [F12]

When Hotkey mode is active:

- A command line appears on the monitor screen. The command line prompt is the word **Hotkey** in white text on a blue background, and displays the subsequent hotkey information that you enter.
- Ordinary keyboard and mouse functions are suspended. Only hotkey compliant keystrokes can be entered.
- To exit the Hotkey mode, press the **Esc** key.

Selecting the Active Port

Directly access any server on the installation with a hotkey combination that specifies the Port ID of the KVM port to which the target server is connected.

To access a server using hotkeys:

1. Invoke the hotkey mode with the **[Num Lock] + [-]** or **[Ctrl] + [F12]** combination.
2. Enter the port ID. The port ID numbers display on the command line as you key them in. If you make a mistake, use the **Backspace** key to erase the wrong number.
3. Press the **Enter** key. The focus switches to the designated server and hotkey mode is automatically exited.

NOTE: The hotkey command line will continue to display on the screen until you enter a valid station and port number combination or exit the hotkey mode.

Auto Scan Mode

Auto scan mode switches, at regular intervals, among all the KVM ports that have been set as accessible under the Scan-Skip Mode, so that their activity can be monitored automatically. See “SCAN-SKIP MODE” on page 11 for more information.

1. Invoke the hotkey mode with the **[Num Lock] + [-]** or **[Ctrl] + [F12]** combination.
2. To automatically exit the hotkey mode, and enter the Auto Scan mode: Press the **A** key, then press the **Enter** key.
 - a. Press the **P** key or left-click the mouse to pause the scanning and focus on a particular server. While paused, the command line **Auto Scan Paused** displays. Press any key or left click the mouse to resume scanning where you left off. If you exit the Auto Scan mode and then restart, the scanning starts over from the very first server on the installation.
 - b. While in the Auto Scan mode, ordinary keyboard and mouse functions are suspended. Only the Auto Scan mode compliant keystrokes and mouse clicks can be input. Exit the Auto Scan mode to return to normal operation of the console.
 - c. Press the **Esc** key or the **spacebar** to stop auto-scanning and exit the Auto Scan mode.

Skip Mode

Switch between servers in order to monitor them manually.

1. Invoke the hotkey mode with the **[Num Lock] + [-]** or **[Ctrl] + [F12]** combination.
2. Press one of the arrow keys to exit the hotkey mode and enter Skip mode.
3. Press the left arrow key to switch to the first accessible port.
Press the right arrow key to switch to the next accessible port.
Press the up arrow key to switch to the last accessible port on the previous station.
Press the down arrow key to switch to the first in the list on the next station.
 - a. Continue pressing arrow keys to skip to other servers. It is not necessary to invoke the hotkey mode again.
 - b. While in Skip mode, ordinary keyboard and mouse functions are suspended. Only the Skip mode compliant keystrokes and mouse clicks can be input. Exit Skip mode to return to normal operation of the console.
4. Press the **Esc** key or the **spacebar** to exit Skip mode.

Keyboard/Mouse Reset

If the keyboard or mouse cease to function on the server connected to the currently selected port, you can perform a keyboard/mouse reset on the server. This works the same as unplugging and replugging the keyboard and mouse on the target server. To perform a server keyboard/mouse reset, key in the following hotkey combination:

1. Invoke the hotkey mode with the **[Num Lock] + [-]** or **[Ctrl] + [F12]** combination.
2. Press the **F5** key to exit the Hotkey mode and regain keyboard and mouse control on the server connected to the KVM port.

Perform a system reset on if the keyboard or mouse do not respond. See “RESET switch” on page 3 for the switch location.

Hotkey Beeper Control

The beeper can be hotkey toggled on and off. To toggle the beeper, key in the following hotkey combination:

1. Invoke the hotkey mode with the **[Num Lock] + [-]** or **[Ctrl] + [F12]** combination.
2. Press the **B** key. The beeper will toggle on or off. The command line displays Beeper On or Beeper Off for one second and automatically exits the hotkey mode.

Quick Hotkey Control

The Quick Hotkey can be toggled between **[Num Lock] + [-]** or **[Ctrl] + [F12]**.

1. Invoke the hotkey mode with the **[Num Lock] + [-]** or **[Ctrl] + [F12]** combination.
2. Press the **H** key. The command line displays HOTKEY HAS BEEN CHANGED for one second and automatically exits the hotkey mode.

OSD Hotkey Control

The OSD Hotkey can be toggled between **[Scroll Lock]**, **[Scroll Lock]** and **[Ctrl]**, **[Ctrl]**.

1. Invoke the hotkey mode with the **[Num Lock] + [-]** or **[Ctrl] + [F12]** combination.
2. Press the **T** key. The command line displays HOTKEY HAS BEEN CHANGED for one second and automatically exits the hotkey mode.

Port OS Control

To change a port's operating system to match that of the server attached to the port:

1. Invoke the hotkey mode with the **[Num Lock] + [-]** or **[Ctrl] + [F12]** combination.
2. Press the **F1** key to set the Port OS to Windows.
Press the **F2** key to set the Port OS to Mac.
Press the **F3** key to set the Port OS to Sun.
Pressing a function key automatically exits the hotkey mode.

Restore Default Values

Restore default values to the KVM Rack LCD (administrator use only).

1. Invoke the hotkey mode with the **[Num Lock] + [-]** or **[Ctrl] + [F12]** combination.
2. Press the **R** key.
3. Press the **Enter** key. The command line displays RESET TO DEFAULT SETTING for three seconds and automatically exits the Hotkey mode.

Hotkey Summary Table

Invoke Hotkey Mode	Enter Hotkey	Mode Description
[Num Lock] + [-] or [Ctrl] + [F12]	[A] [Enter] or [Q] [Enter]	Invokes Auto Scan mode When Auto Scan mode is in effect, [P] or left-clicking the mouse pauses auto-scanning. When auto-scanning is paused, pressing any key or another left-click of the mouse resumes auto-scanning.
	[B]	Toggles the beeper on or off.
	[Esc] or [Spacebar]	Exits hotkey mode
	[F1]	Set Operating System to Windows
	[F2]	Set Operating System to Mac
	[F3]	Set Operating System to Sun
	[F5]	Performs a keyboard / mouse reset on the target server
	[H]	Toggles the Quick Hotkey invocation keys between [Ctrl] + [F12] and [Num Lock] + [-]
	[R] [Enter]	Administrator only hotkey to restore the switch's default values.
	[SN] [PN] [Enter]	Switch access to the server that corresponds to that port ID
	[T]	Toggles the OSD Hotkey between [Ctrl], [Ctrl] and [Scroll Lock], [Scroll Lock]
	[↑]	Invoke Skip mode and skip from the current port to the first accessible port previous to it
	[→]	Invoke Skip mode and skip from the current port the next accessible port
	[↑]	Invoke Skip mode and skip from the current port to the last accessible port of the previous station
	[↓]	Invoke Skip mode and skip from the current port to the first accessible port of the next station

Firmware Upgrade Utility

Introduction

The purpose of the Windows®-based firmware upgrade utility is to provide an automated process for upgrading the KVM Rack LCD and compatible adapter cable firmware. The program comes as part of a firmware upgrade package that is specific for each device.

Check www.apc.com regularly to find the latest information and firmware upgrade packages.

Downloading the Firmware Upgrade Package

To download the firmware upgrade package:

1. From a computer that is not part of your KVM installation, go to www.apc.com and enter the model name of your KVM Rack LCD for a list of available firmware upgrade packages.
2. Choose the firmware upgrade package that you wish to install (usually the most recent) and download it.

Preparation

1. Use the Firmware Upgrade Cable (provided) to connect a COM port on your computer to the Firmware Upgrade Port of the KVM Rack LCD.
NOTE: Cascaded stations will automatically receive the upgrade via the in-series connection cables.
2. From the KVM Rack LCD console, login to the OSD as the administrator (see “OSD Login” on page 9) and select the **F4 ADM** function.
3. Scroll down to FIRMWARE UPGRADE. Press the **Enter** key, then press the **Y** key to invoke the Firmware Upgrade mode (see “FIRMWARE UPGRADE” on page 12).
NOTE: During the upgrade, the port LEDs will flash on and off.

Start the Upgrade

1. Run the downloaded firmware upgrade file by double-clicking the file icon or opening a command line and entering the full path to the file.
2. Click **Next** to continue. The Firmware Upgrade Utility main screen appears. The devices capable of being upgraded are listed in the Device List panel.
3. If the Check Firmware Version box (from the Firmware Upgrade Utility main screen) is checked, the utility compares the device’s firmware version with the upgrade files. If the device’s version is newer, the utility lets you decide whether to continue. If the box is not checked, the utility performs the upgrade directly. Click **Next** to perform the upgrade.

Upgrade Succeeded

After the upgrade has completed, an **UPGRADE SUCCEEDED** screen appears to inform you that the procedure was successful. Click **Finish** to close the firmware upgrade utility.

Upgrade Failed

If the **UPGRADE SUCCEEDED** screen DOES NOT appear, the upgrade failed.

Firmware Upgrade Recovery

There are three conditions that call for firmware upgrade recovery:

- When the firmware upgrade is manually aborted.
- When the mainboard firmware upgrade fails.
- When the I/O firmware upgrade fails.

To perform a firmware upgrade recovery:

1. Shut off power to the KVM Rack LCD. If the KVM Rack LCD is part of a series of stations, disconnect it from the other KVM switches.
2. Connect the Firmware Upgrade Cable to the Firmware Upgrade Port.
3. Slide the Firmware Upgrade Recovery Switch to the **Recover** position. See “FW UPGRADE NORMAL / RECOVERY” on page 3 for the switch location.
4. Apply power to the KVM Rack LCD and repeat the upgrade procedure. See “Start the Upgrade” on page 18 for more information.
5. Once the upgrade is successful, shut off power to the KVM Rack LCD. Slide the Firmware Upgrade Recovery Switch to the **Normal** position. See “FW UPGRADE NORMAL / RECOVERY” on page 3 for more information.
6. If the KVM Rack LCD is part of a series of stations, reconnect it in the series.
7. Place the power switch on the back of the KVM Rack LCD in the ON position to apply power.

Troubleshooting

- Check that all cables are securely attached in their sockets.
- Update the firmware. See “Firmware Upgrade Utility” on page 18 for more information.

Specifications

Function		AP5808	AP5816
Server Connections	Direct	8	16
	Max	256	512
Port selection		OSD, Hotkeys, Pushbuttons	OSD, Hotkeys, Pushbuttons
Connectors	External mouse port	1 x USB Type-A (Female)	1 x USB Type-A (Female)
	KVM ports	8 x SPHD-15 (Female)	16 x SPHD-15 (Female)
	Cascade cable	1 x DB-25 (Male)	1 x DB-25 (Male)
	Firmware upgrade cable	1 x RJ-11 (Female)	1 x RJ-11 (Female)
	Power cable	1 x 3-prong AC socket	1 x 3-prong AC socket
	USB 1.1 hub cable	1 x USB Type-A (Female)	1 x USB Type-A (Female)
Switches	Reset	1 x semi-recessed pushbutton	1 x semi-recessed pushbutton
	Power	1 x rocker switch	1 x rocker switch
	Firmware upgrade	1 x switch	1 x switch
	LCD adjust	4 x pushbutton	4 x pushbutton
	LCD on/off	1 x LED pushbutton (orange)	1 x LED pushbutton (orange)
	Port selection	2 x pushbutton	2 x pushbutton
	Station selection	2 x pushbutton	2 x pushbutton
LEDs	On line	8 (orange)	16 (orange)
	Port ID	2 x 7-segment LED Display (Yellow)	2 x 7-segment LED Display (Yellow)
	Station ID	2 x 7-segment LED Display (Yellow)	2 x 7-segment LED Display (Yellow)
	Power	1 (Dark Green)	1 (Dark Green)
	Num lock	1 (Green)	1 (Green)
	Caps lock	1 (Green)	1 (Green)
	Scroll lock	1 (Green)	1 (Green)
Emulation	Keyboard/mouse	PS/2, USB	PS/2, USB
Video	Maximum Resolution	1280 x 1024 @ 75 Hz, DDC2B	1280 x 1024 @ 75 Hz, DDC2B
		1280 x 1024 @ 60 Hz	1280 x 1024 @ 60 Hz
		1024 x 768 @ 75 Hz	1024 x 768 @ 75 Hz
		1024 x 768 @ 70 Hz	1024 x 768 @ 70 Hz
		1024 x 768 @ 65 Hz	1024 x 768 @ 65 Hz
		800 x 600 @ 75 Hz	800 x 600 @ 75 Hz
		800 x 600 @ 72 Hz	800 x 600 @ 72 Hz
		800 x 600 @ 60 Hz	800 x 600 @ 60 Hz
		720 x 400 @ 60 Hz	720 x 400 @ 60 Hz
		640 x 480 @ 75 Hz	640 x 480 @ 75 Hz
		640 x 480 @ 72 Hz	640 x 480 @ 72 Hz
		640 x 480 @ 60 Hz	640 x 480 @ 60 Hz
		Minimum Resolution	640 x 480 @ 60 Hz
	Scan Interval (OSD Select)		1 - 255 sec.
I/P rating		100 - 240 VAC, 50/60 Hz, 1 A	100 - 240 VAC, 50/60 Hz, 1 A
Power consumption		120V, 27.5W / 230V, 28W	120V, 27.5W / 230V, 28W
Environment	Operating temperature	0 - 40°C (32 - 104°F)	0 - 40°C (32 - 104°F)
	Storage temperature	-20°C to 60°C (-4 - 140°F)	-20°C to 60°C (-4 - 140°F)
	Humidity	0 - 80% RH, Noncondensing	0 - 80% RH, Noncondensing
Physical Properties	Housing	Metal and plastic	Metal and plastic
	Weight	13.77 kg	14.00 kg
	Dimensions (L x W x H)	63.40 x 48.00 x 4.40 cm (28 x 19 x 1.7 in)	63.40 x 48.00 x 4.40 cm (28 x 19 x 1.7 in)

Connection Tables

The following tables indicate the relationship between the number of KVM stations and the number of servers that can be controlled on a cascaded installation.

Number of devices	AP5808		AP5816	
	Number of servers attached to:			
	8 port switches	16 port switches	8 port switches	16 port switches
1	1 - 8	1 - 8	1 - 16	1 - 16
2	9 - 16	9 - 24	17 - 24	17 - 32
3	17 - 24	25 - 40	25 - 32	33 - 48
4	25 - 32	41 - 56	33 - 40	49 - 64
5	33 - 40	57 - 72	41 - 48	65 - 80
6	41 - 48	73 - 88	49 - 56	81 - 96
7	49 - 56	89 - 104	57 - 64	97 - 112
8	57 - 64	105 - 120	65 - 72	113 - 128
9	65 - 72	121 - 136	73 - 80	129 - 144
10	73 - 80	137 - 152	81 - 88	145 - 160
11	81 - 88	153 - 168	89 - 96	161 - 176
12	89 - 96	169 - 184	97 - 104	177 - 192
13	97 - 104	185 - 200	105 - 112	193 - 208
14	105 - 112	201 - 216	113 - 120	209 - 224
15	113 - 120	217 - 232	121 - 128	225 - 240
16	121 - 128	233 - 248	129 - 136	240 - 256
17	129 - 136	249 - 264	137 - 144	257 - 272
18	137 - 144	264 - 280	145 - 152	273 - 288
19	145 - 152	281 - 296	153 - 160	289 - 304
20	153 - 160	297 - 312	161 - 168	305 - 320
21	161 - 168	313 - 328	169 - 176	321 - 336
22	169 - 176	329 - 344	177 - 184	337 - 352
23	177 - 184	345 - 360	185 - 192	353 - 368
24	185 - 192	361 - 376	193 - 200	369 - 384
25	193 - 200	377 - 392	201 - 208	385 - 400
26	201 - 208	393 - 408	209 - 216	401 - 416
27	209 - 216	409 - 424	217 - 224	417 - 432
28	217 - 224	425 - 440	225 - 232	433 - 448
29	225 - 232	441 - 456	233 - 240	449 - 464
30	233 - 240	457 - 472	241 - 248	465 - 480
31	241 - 248	473 - 488	249 - 256	481 - 496
32	249 - 256	489 - 504	257 - 264	497 - 512

OSD Factory Default Settings

Setting	Default
OSD Hotkey	[Scroll Lock], [Scroll Lock]
Port ID Display Position	Upper Left Corner
Port ID Display Duration	3 Seconds
Port ID Display Mode	Port Number plus the Port Name
Scan Duration	5 Seconds
Scan/Skip Mode	All
Screen Blanker	0 (Disabled)
Logout Timeout	0 (Disabled)
Beeper	Y (Activated)
Accessible Ports	F (Full) for all users on all ports

Dedicated Hotkeys

Two dedicated keys are provided on the keyboard to make it easy to start the Hotkey (**KVM Hotkey**) mode and the OSD (**KVM OSD**) mode. The keys are toggles. Press them once to invoke the feature. Press them again to exit.

SPHD Connectors

The KVM Rack LCD uses SPHD connectors for its KVM ports. The SPHD connectors have been modified so that only the custom KVM connection cables can be connected.

Warranty

Two-Year Factory Warranty

This warranty applies only to the products you purchase for your use in accordance with this manual.

Terms of warranty

APC by Schneider Electric warrants its products to be free from defects in materials and workmanship for a period of two years from the date of purchase. APC by Schneider Electric will repair or replace defective products covered by this warranty. This warranty does not apply to equipment that has been damaged by accident, negligence or misapplication or has been altered or modified in any way. Repair or replacement of a defective product or part thereof does not extend the original warranty period. Any parts furnished under this warranty may be new or factory-remanufactured.

Non-transferable warranty

This warranty extends only to the original purchaser who must have properly registered the product. The product may be registered at the APC by Schneider Electric Web site, www.apc.com.

Exclusions

APC by Schneider Electric shall not be liable under the warranty if its testing and examination disclose that the alleged defect in the product does not exist or was caused by end user's or any third person's misuse, negligence, improper installation or testing. Further, APC by Schneider Electric shall not be liable under the warranty for unauthorized attempts to repair or modify wrong or inadequate electrical voltage or connection, inappropriate on-site operation conditions, corrosive atmosphere, repair, installation, exposure to the elements, Acts of God, fire, theft, or installation contrary to APC by Schneider Electric recommendations or specifications or in any event if the APC by Schneider Electric serial number has been altered, defaced, or removed, or any other cause beyond the range of the intended use.

THERE ARE NO WARRANTIES, EXPRESS OR IMPLIED, BY OPERATION OF LAW OR OTHERWISE, OF PRODUCTS SOLD, SERVICED OR FURNISHED UNDER THIS AGREEMENT OR IN CONNECTION HERewith. APC BY SCHNEIDER ELECTRIC DISCLAIMS ALL IMPLIED WARRANTIES OF MERCHANTABILITY, SATISFACTION AND FITNESS FOR A PARTICULAR PURPOSE. APC BY SCHNEIDER ELECTRIC EXPRESS WARRANTIES WILL NOT BE ENLARGED, DIMINISHED, OR AFFECTED BY AND NO OBLIGATION OR LIABILITY WILL ARISE OUT OF, APC BY SCHNEIDER ELECTRIC RENDERING OF TECHNICAL OR OTHER ADVICE OR SERVICE IN CONNECTION WITH THE PRODUCTS. THE FOREGOING WARRANTIES AND REMEDIES ARE EXCLUSIVE AND IN LIEU OF ALL OTHER WARRANTIES AND REMEDIES. THE WARRANTIES SET FORTH ABOVE CONSTITUTE APC BY SCHNEIDER ELECTRIC'S SOLE LIABILITY AND PURCHASER'S EXCLUSIVE REMEDY FOR ANY BREACH OF SUCH WARRANTIES. APC BY SCHNEIDER ELECTRIC WARRANTIES EXTEND ONLY TO PURCHASER AND ARE NOT EXTENDED TO ANY THIRD PARTIES.

IN NO EVENT SHALL APC BY SCHNEIDER ELECTRIC, ITS OFFICERS, DIRECTORS, AFFILIATES OR EMPLOYEES BE LIABLE FOR ANY FORM OF INDIRECT, SPECIAL, CONSEQUENTIAL OR PUNITIVE DAMAGES, ARISING OUT OF THE USE, SERVICE OR INSTALLATION, OF THE PRODUCTS, WHETHER SUCH DAMAGES ARISE IN CONTRACT OR TORT, IRRESPECTIVE OF FAULT, NEGLIGENCE OR STRICT LIABILITY OR WHETHER APC BY SCHNEIDER ELECTRIC HAS BEEN ADVISED IN ADVANCE OF THE POSSIBILITY OF SUCH DAMAGES. SPECIFICALLY, APC BY SCHNEIDER ELECTRIC IS NOT LIABLE FOR ANY COSTS, SUCH AS LOST PROFITS OR REVENUE, LOSS OF EQUIPMENT, LOSS OF USE OF EQUIPMENT, LOSS OF SOFTWARE, LOSS OF DATA, COSTS OF SUBSTITUENTS, CLAIMS BY THIRD PARTIES, OR OTHERWISE.

NO SALESMAN, EMPLOYEE OR AGENT OF APC BY SCHNEIDER ELECTRIC IS AUTHORIZED TO ADD TO OR VARY THE TERMS OF THIS WARRANTY. WARRANTY TERMS MAY BE MODIFIED, IF AT ALL, ONLY IN WRITING SIGNED BY AN APC BY SCHNEIDER ELECTRIC OFFICER AND LEGAL DEPARTMENT.

Warranty claims

Customers with warranty claims issues may access the APC by Schneider Electric customer support network through the Support page of the APC by Schneider Electric Web site, www.apc.com/support. Select your country from the country selection pull-down menu at the top of the Web page. Select the Support tab to obtain contact information for customer support in your region.

Radio Frequency Interference

Changes or modifications to this unit not expressly approved by the party responsible for compliance could void the user's authority to operate this equipment.

USA — FCC

This equipment has been tested and found to comply with the limits for a Class B digital device, pursuant to part 15 of the FCC Rules. These limits are designed to provide reasonable protection against harmful interference in a residential installation. This equipment generates, uses and can radiate radio frequency energy and, if not installed and used in accordance with the instructions, may cause harmful interference to radio communications. However, there is no guarantee that interference will not occur in a particular installation. If this equipment does cause harmful interference to radio or television reception, which can be determined by turning the equipment off and on, try to correct the interference by one or more of the following measures:

- Reorient or relocate the receiving antenna.
- Increase the separation between the equipment and receiver.
- Connect the equipment into an outlet on a circuit different from that to which the receiver is connected.
- Consult the dealer or an experienced radio or TV technician for help.

Canada — ICES

This Class A digital apparatus complies with Canadian ICES-003.

Cet appareil numérique de la classe A est conforme à la norme NMB-003 du Canada.

Japan — VCCI

This device is a Class A device. Using this device in a home environment may cause radio wave interference. In this case, the user may be required to take appropriate measures.

この装置は、クラス A 装置です。この装置を家庭環境で使用すると電波妨害を引き起こすことがあります。この場合には使用者が適切な対策を講ずるよう要求されることがあります。

VCCI-A

Taiwan—BSMI

警告使用者：
這是甲類的資訊產品，在居住的
環境中使用時，可能會造成射頻
干擾，在這種情況下，使用者會
被要求採取某些適當的對策。

Australia and New Zealand

Attention: This is a Class A product. In a domestic environment this product may cause radio interference in which case the user may be required to take adequate measures.

European Union

This product is in conformity with the protection requirements of EU Council Directive 2014/30/EU on the approximation of the laws of the Member States relating to electromagnetic compatibility. APC cannot accept responsibility for any failure to satisfy the protection requirements resulting from an unapproved modification of the product.

This product has been tested and found to comply with the limits for Class A Information Technology Equipment according to CISPR 22/European Standard EN 55022. The limits for Class A equipment were derived for commercial and industrial environments to provide a reasonable protection against interference with licensed communication equipment.

Attention: This is a Class A product. In a domestic environment this product may cause radio interference in which case the user may be required to take adequate measures.

Korean 한국

A 급 기기 (업무용 방송통신기기)

이 기기는 업무용 (A 급) 으로 전자파적합등록을 한 기기이오니판매자 또는 사용자는 이 점을 주의하시기 바라며, 가정외의지역에서 사용하는 것을 목적으로 합니다.

Worldwide Customer Support

Customer support for this product is available at www.apc.com.