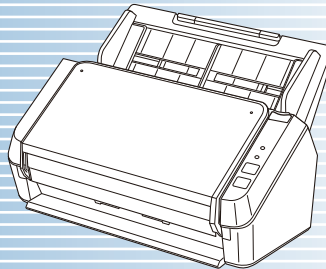


ScanZen Eko/ScanZen Eko Plus Image Scanner

Operator's Guide

Thank you for purchasing our image scanner.
This manual explains about the basic operations and handling of the scanner.
For details about scanner installation and connections, refer to the web page that is shown on the Welcome to ScanZen Card.


[TOP](#)
[Contents](#)
[Index](#)
[Introduction](#)

Explains the names and functions of parts and basic scanner operation.

[Scanner Overview](#)

Explains how to load documents on the scanner.

[How to Load Documents](#)

Explains how to use the Operator Panel.

[How to Use the Operator Panel](#)

Explains about various ways of scanning.

[Various Ways to Scan](#)

Explains how to clean the scanner.

[Daily Care](#)

Explains how to replace the consumables.

[Replacing the Consumables](#)

Explains about troubleshooting.

[Troubleshooting](#)

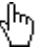
Explains how to configure settings in the Software Operation Panel.

[Operational Settings](#)
[Appendix](#)
[Glossary](#)

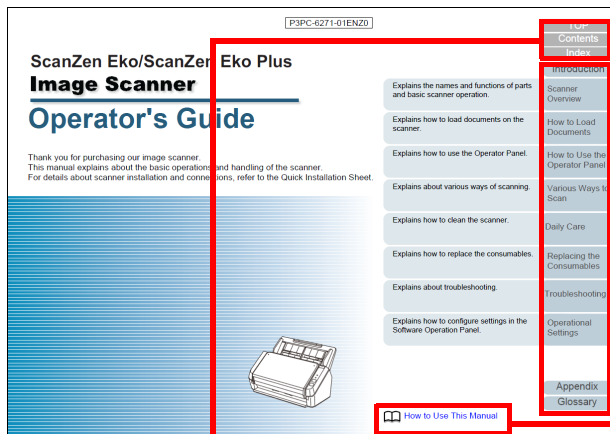
[How to Use This Manual](#)

How to Use This Manual

The following shows the tips for using this manual.

- To display or print this manual, either Adobe® Acrobat® (7.0 or later) or Adobe® Reader® (7.0 or later) is required.
 - In this manual, you can use the Search tool of Adobe® Acrobat® or Adobe® Reader®.
For details, refer to the Adobe® Acrobat® or Adobe® Reader® Help.
 - Use the [Page Up] key to return to the previous page, and the [Page Down] key to go to the next page.
 - Click a blue character string, tab or contents/index title (where the mouse cursor changes into a shape such as ) to jump to the link.
- Common for all pages

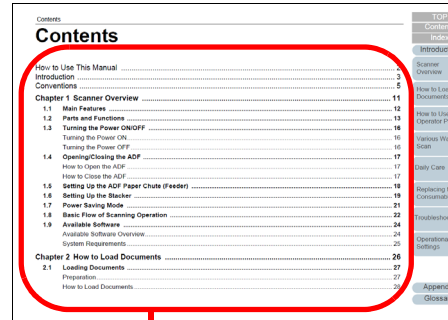
Jumps to the first page of each chapter.
This tab is on every page.



TOP: Jumps to the cover page.
 Contents: Jumps to the contents page.
 Index: Jumps to the index page.
 This tab is on every page.

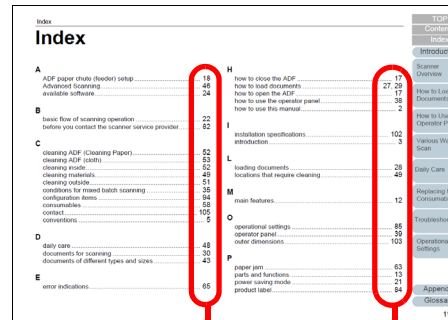
Jumps to this page.
 Click a blue character string to jump to the link.

- Contents page



Click on a title to jump to the link.

- Index page



Click on a page number to jump to the link.

- TOP
- Contents
- Index
- Introduction
- Scanner Overview
- How to Load Documents
- How to Use the Operator Panel
- Various Ways to Scan
- Daily Care
- Replacing the Consumables
- Troubleshooting
- Operational Settings
- Appendix
- Glossary

Introduction

Thank you for purchasing our image scanner.

About This Product

"This product" refers to the two scanner models: ScanZen Eko and ScanZen Eko Plus.

Each scanner is equipped with an Automatic Document Feeder (ADF) that allows duplex (double-sided) scanning, and supports USB interfaces.

The following table shows the differences between each scanner model.

Model	Scanner type	Scanning speed (*1)
ScanZen Eko	ADF	20 ppm/40 ipm
ScanZen Eko Plus	ADF	30 ppm/60 ipm

*1: When scanning A4 size documents at 300 dpi with JPEG compression.

Manuals

The following manuals are available for this product. Read them as needed.

Manual	Description
Safety Precautions (paper, PDF)	Contains important information about the safe use of this product. Make sure to read this manual before using the scanner.
Operator's Guide (this manual) (PDF)	Provides detailed information on how to operate and maintain the scanner daily, how to replace the consumables, and how to troubleshoot problems.
Help (scanner driver)	Explains how to use and configure the settings for the scanner drivers. Can be referenced from each scanner driver.
Help (application)	Explains how to use and configure the settings for the application software. Can be referenced from each application.

Trademarks

Microsoft, Windows, and Excel are either registered trademarks or trademarks of Microsoft Corporation in the United States and/or other countries.

Word is the product of Microsoft Corporation in the United States.

Adobe, Acrobat, and Reader are either registered trademarks or trade names of Adobe Systems Incorporated in the United States and/or other countries.

Intel, Pentium, and Intel Core are registered trademarks or trademarks of Intel Corporation in the United States and other countries.

ABBYY™ FineReader™ Sprint

© 2014-2017 ABBYY, All rights reserved.

ABBYY and FineReader are trademarks of ABBYY Software, Ltd. which may be registered in some jurisdictions.

Presto!™ PageManager™

© 2002-2017, NewSoft Technology Corp. All Rights Reserved.

NewSoft, Presto! and PageManager are either registered trademarks or trademarks of NewSoft Technology Corp.

PaperStream is a registered trademark of PFU Limited in Japan.

Other company names and product names are the registered trademarks or trademarks of the respective companies.

Manufacturer

PFU Limited

YOKOHAMA i-MARK PLACE, 4-4-5 Minatomirai, Nishi-ku, Yokohama, Kanagawa, 220-8567, Japan

© PFU Limited 2017

TOP

Contents

Index

Introduction

Scanner
Overview

How to Load
Documents

How to Use the
Operator Panel

Various Ways to
Scan

Daily Care

Replacing the
Consumables

Troubleshooting

Operational
Settings

Appendix

Glossary

Conventions

Safety Information

The attached "Safety Precautions" manual contains important information about the safe and correct use of this product. Make sure that you read and understand it before using the scanner.

Symbols Used in This Manual

The following indications are used in this manual to obviate any chance of accident or damage to you, people near you, and your property. Warning labels consist of a symbol indicating the severity and a warning statement. The symbols and their meanings are as follows.



This indication alerts operators of an operation that, if not strictly observed, may result in severe injury or death.



This indication alerts operators of an operation that, if not strictly observed, may result in safety hazards to personnel or damage to the product.

Abbreviations Used in This Manual

The operating systems and products in this manual are indicated as follows.

Name	Indication
Windows® 7 Home Premium (32-bit/64-bit)	Windows 7 (*1)
Windows® 7 Professional (32-bit/64-bit)	
Windows® 7 Enterprise (32-bit/64-bit)	
Windows® 7 Ultimate (32-bit/64-bit)	
Windows® 8.1 (32-bit/64-bit)	Windows 8.1 (*1)
Windows® 8.1 Pro (32-bit/64-bit)	
Windows® 8.1 Enterprise (32-bit/64-bit)	
Windows® 10 Home (32-bit/64-bit)	Windows 10 (*1)
Windows® 10 Pro (32-bit/64-bit)	
Windows® 10 Enterprise (32-bit/64-bit)	
Windows® 10 Education (32-bit/64-bit)	
Microsoft® Word	Word
Microsoft® Office Word	

Name	Indication
Microsoft® Excel®	Excel
Microsoft® Office Excel®	
Presto!™ PageManager™	Presto! PageManager
ABBYY™ FineReader™ Sprint	ABBYY FineReader Sprint
PaperStream IP (TWAIN) for ScanZen	PaperStream IP driver
PaperStream IP (TWAIN x64) for ScanZen	

*1: Where there is no distinction between the different versions of the above operating system, the general term "Windows" is used.

Arrow Symbols in This Manual

Right-arrow symbols (→) are used to separate icons or menu options you should select in succession.

Example: Click the [Start] menu → [Control Panel].

Screen Examples in This Manual

Microsoft product screenshots are reprinted with permission from Microsoft Corporation.

The screen examples in this manual are subject to change without notice in the interest of product improvement.

If the actual displayed screen differs from the screen examples in this manual, operate by following the actual displayed screen while referring to the user's manual of the scanner application that you are using.

The screen examples used in this manual are of the PaperStream IP driver.

The screenshots used in this manual are of Windows 7. The actual windows and operations may differ depending on the operating system. Also, note that with some scanner models, the screens and operations may differ from this manual when you update the PaperStream IP driver. In that case, refer to the manual provided upon updating the driver.

Contents

How to Use This Manual	2
Introduction	3
Conventions	5
Chapter 1 Scanner Overview	11
1.1 Main Features	12
1.2 Parts and Functions	13
1.3 Turning the Power ON/OFF	16
Turning the Power ON.....	16
Turning the Power OFF.....	16
1.4 Opening/Closing the ADF	17
How to Open the ADF	17
How to Close the ADF.....	17
1.5 Setting Up the ADF Paper Chute (Feeder)	18
1.6 Setting Up the Stacker	19
1.7 Power Saving Mode	21
1.8 Basic Flow of Scanning Operation	22
1.9 Available Software	24
Available Software Overview.....	24
System Requirements.....	25
Chapter 2 How to Load Documents	26
2.1 Loading Documents	27
Preparation.....	27
How to Load Documents.....	28

TOP
Contents
Index
Introduction
Scanner Overview
How to Load Documents
How to Use the Operator Panel
Various Ways to Scan
Daily Care
Replacing the Consumables
Troubleshooting
Operational Settings
Appendix
Glossary

2.2 Documents for Scanning	29
Paper Size	29
Document type	29
Paper weight (document thickness)	29
Documents That Cannot Be Scanned Successfully	29
Documents That Cannot Be Scanned	29
Precautions	30
Loading Capacity	31
Area Not to be Perforated	32
Conditions for Multifeed Detection	32
Conditions for Mixed Batch Scanning	33
Conditions for Automatic Page Size Detection	35
Chapter 3 How to Use the Operator Panel	36
3.1 Operator Panel	37
Names and Functions	37
Signals on the Indicator	38
Chapter 4 Various Ways to Scan	39
4.1 Summary	40
4.2 Scanning Documents of Different Types and Sizes	41
Documents with Different Widths	41
Long Page Scanning	42
4.3 Advanced Scanning	44
Using a Button on the Scanner to Start Scanning	44
Chapter 5 Daily Care	46
5.1 Cleaning Materials and Locations that Require Cleaning	47
Cleaning Materials	47
Location and Frequency	48

TOP

Contents

Index

Introduction

Scanner
Overview

How to Load
Documents

How to Use the
Operator Panel

Various Ways to
Scan

Daily Care

Replacing the
Consumables

Troubleshooting

Operational
Settings

Appendix

Glossary

5.2	Cleaning the Outside	49
5.3	Cleaning the Inside	50
	Cleaning the ADF (with Cleaning Paper)	50
	Cleaning the ADF (with Cloth).....	51
Chapter 6	Replacing the Consumables	55
6.1	Consumables and Replacement Cycles	56
6.2	Replacing the Roller Set	57
Chapter 7	Troubleshooting	60
7.1	Paper Jam	61
7.2	Error Indications on Operator Panel	63
	Temporary Errors	64
	Device Errors.....	65
7.3	Troubleshooting Problems	66
	Scanner cannot be powered ON.	67
	Scanning does not start.....	68
	The image quality of pictures/photos is poor or dirty.....	69
	Quality of scanned text or lines is unsatisfactory.	70
	Images are distorted or not clear.....	71
	Vertical streaks appear on the scanned image.	72
	The check indicator on the operator panel flashes.....	73
	Multifeed error occurs frequently.....	74
	Situation in which the document is not fed into the ADF occurs frequently.....	75
	Paper jams/pick errors occur frequently.....	76
	Scanned images turn out elongated.....	77
	A shadow appears at the top or the bottom of the scanned image.	78
	There are black traces on the document.....	79

TOP
Contents
Index
Introduction
Scanner Overview
How to Load Documents
How to Use the Operator Panel
Various Ways to Scan
Daily Care
Replacing the Consumables
Troubleshooting
Operational Settings
Appendix
Glossary

7.4	Before You Contact the Scanner Service Provider	80
	General.....	80
	Error Status	80
7.5	Checking the Product Labels	82
	Location.....	82
Chapter 8	Operational Settings	83
8.1	Starting Up the Software Operation Panel	84
8.2	Password Setting for the Software Operation Panel	86
	Setting a Password	86
	Setting [View Only mode].....	87
	Clearing [View Only mode].....	88
	Changing the Password	89
	Clearing the Password	90
	Resetting the Password	91
8.3	Configuration Items	92
	Device Setting	92
8.4	Settings Related to Sheet Counters	94
	Checking and Resetting the Sheet Counters	94
8.5	Settings Related to Waiting Time	96
	Waiting Time to Enter Power Saving Mode (Power saving).....	96
Appendix	97
A.1	Basic Specification	98
A.2	Installation Specifications	100
A.3	Outer Dimensions	101
A.4	Uninstalling the Software	102
Customer Support	103
Glossary	104
Index	113

Chapter 1 Scanner Overview

This chapter explains about the names and functions of the scanner components, as well as the methods for basic operations.

1.1 Main Features.....	12
1.2 Parts and Functions.....	13
1.3 Turning the Power ON/OFF.....	16
1.4 Opening/Closing the ADF.....	17
1.5 Setting Up the ADF Paper Chute (Feeder).....	18
1.6 Setting Up the Stacker.....	19
1.7 Power Saving Mode	21
1.8 Basic Flow of Scanning Operation	22
1.9 Available Software	24

1.1 Main Features

This section explains about the main features of this product. The scanner is equipped with the following features:

High speed scanning

Realizes a scanning speed of 20 ppm/40 ipm (ScanZen Eko) (*1) or 30 ppm/60 ipm (ScanZen Eko Plus) (*1). Furthermore, you can load up to 50 sheets of documents for continuous scanning which allows you to quickly digitize a large volume of documents.

Improved efficiency for pre-scan work

The scanner can perform "batch scanning" which allows you to scan documents with different paper sizes at once, simplifying the process of sorting the documents before scanning.

Reduced work loss caused by multifeeds

The scanner has an ultrasonic multifeed sensor that accurately detects multifeed errors where two or more sheets are fed through the scanner at once. This multifeed detection is reliable even when scanning a mixed batch of documents with different paper sizes, avoiding potential work loss.

*1: When scanning A4 size documents at 300 dpi with JPEG compression.

TOP

Contents

Index

Introduction

Scanner
Overview

How to Load
Documents

How to Use the
Operator Panel

Various Ways to
Scan

Daily Care

Replacing the
Consumables

Troubleshooting

Operational
Settings

Appendix

Glossary

1.2 Parts and Functions

This section shows the names of the scanner parts.

■ Front

Side guide

Guides the documents in the ADF paper chute (feeder) in the sideways as they are fed into the scanner.

ADF

Pulls and feeds the documents one sheet at a time from the ADF paper chute (feeder).
Open to replace consumables or clean the inside of the scanner.

Stacker

Stacks up the ejected documents.

Stacker extension 1

Lift up towards you to adjust to the document length.

Stacker extension 2

Lift up towards you to adjust to the document length.

ADF paper chute (feeder)

Holds the documents to be scanned.

Chute extension 2

Pull out to adjust to the document length.

Chute extension 1

Pull out to adjust to the document length.

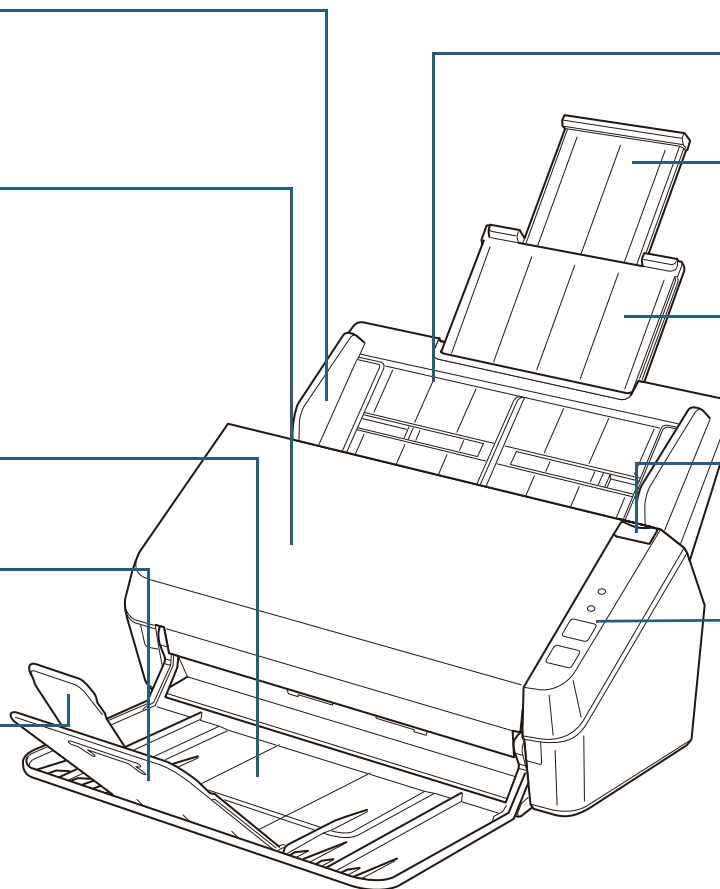
ADF release tab

Pull this tab to open the ADF.

Operator panel

Consists of buttons and indicators.
Used to operate the scanner or check the status.

For details, refer to "[Chapter 3 How to Use the Operator Panel](#)" (page 36).



TOP

Contents

Index

Introduction

Scanner
OverviewHow to Load
DocumentsHow to Use the
Operator PanelVarious Ways to
Scan

Daily Care

Replacing the
Consumables

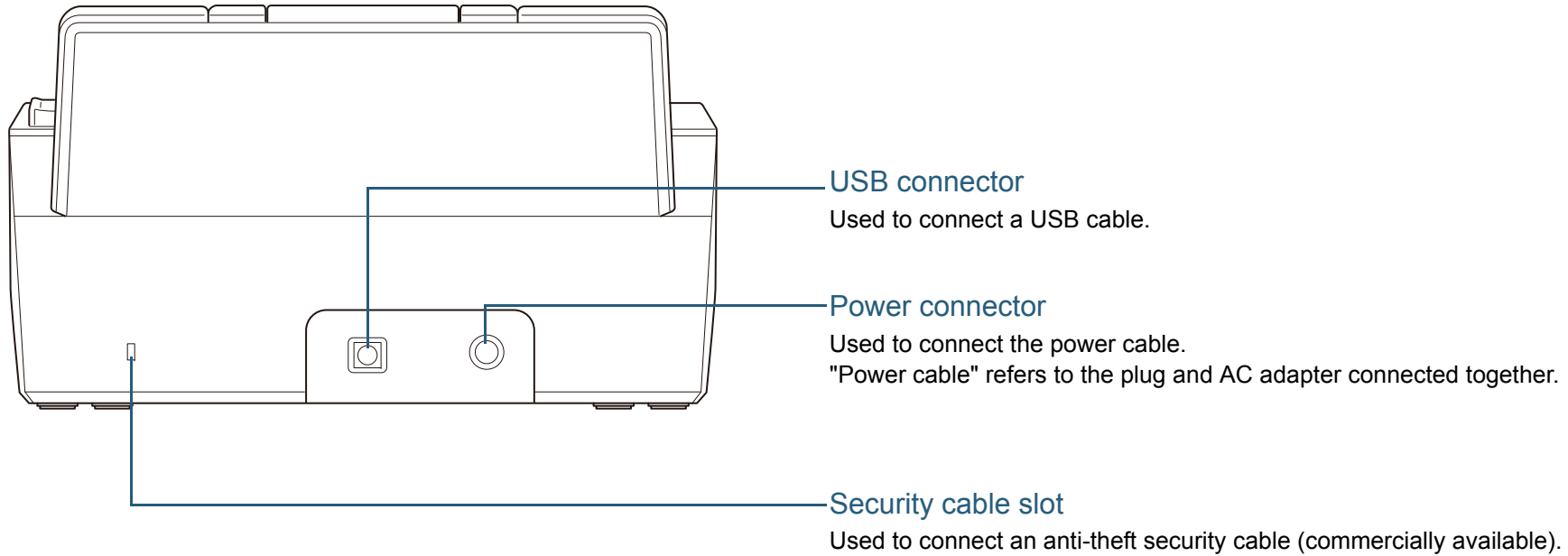
Troubleshooting

Operational
Settings

Appendix

Glossary

■ Back



TOP

Contents

Index

Introduction

Scanner Overview

How to Load Documents

How to Use the Operator Panel

Various Ways to Scan

Daily Care

Replacing the Consumables

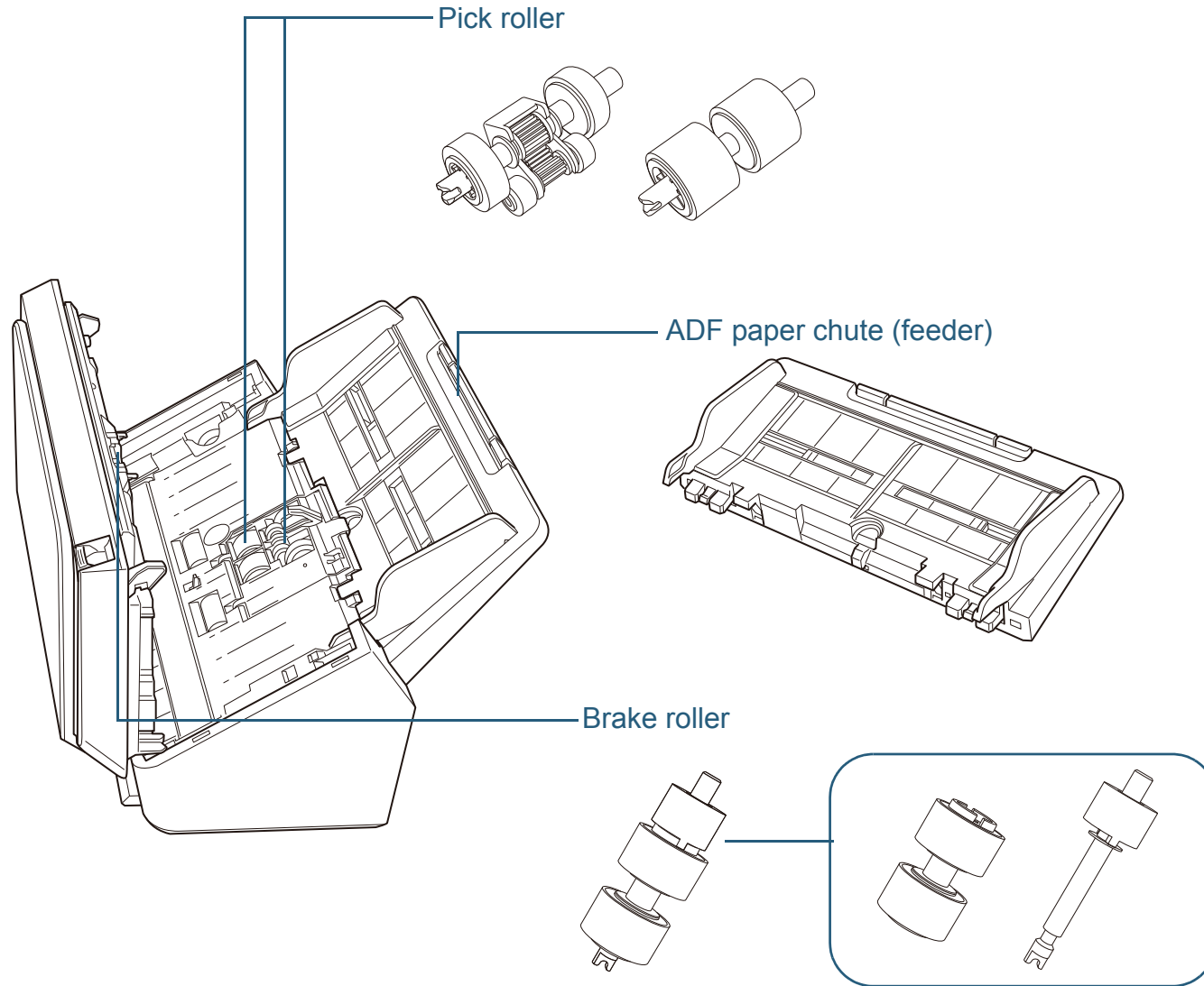
Troubleshooting

Operational Settings

Appendix

Glossary

Removable Parts



TOP

Contents

Index

Introduction

Scanner Overview

How to Load Documents

How to Use the Operator Panel

Various Ways to Scan

Daily Care

Replacing the Consumables

Troubleshooting

Operational Settings

Appendix

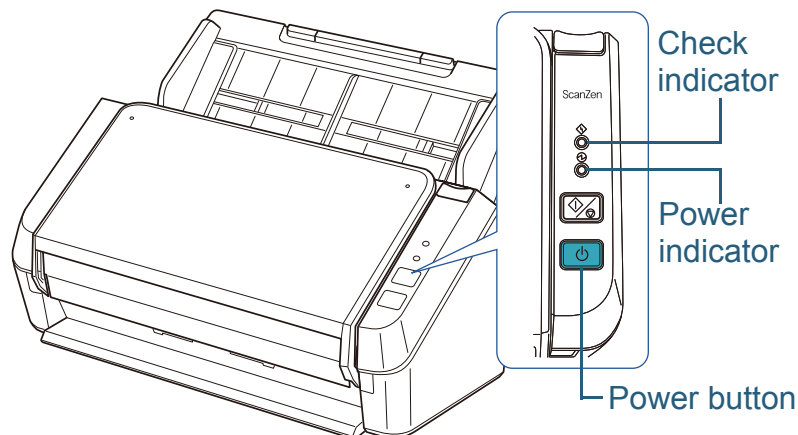
Glossary

1.3 Turning the Power ON/OFF

This section explains how to power on/off the scanner.

Turning the Power ON

- 1 Press the power button on the operator panel for more than 2 seconds.



- ⇒ The scanner is turned on, and during initialization, the power indicator flashes.
When the power indicator stays on, the scanner is ready to scan.
This is referred to as "ready" status.

HINT

When the scanner is ready to be used, the check indicator turns off and the power indicator turns on.

Turning the Power OFF

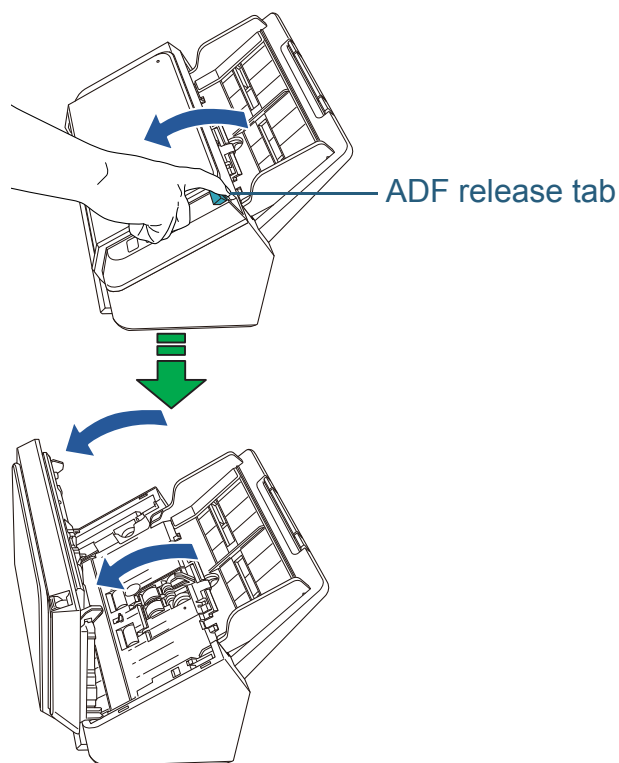
- 1 Press the power button on the operator panel for more than 2 seconds.
⇒ The scanner is turned off, and the power indicator turns off.

1.4 Opening/Closing the ADF

This section describes how to open and close the ADF.

How to Open the ADF

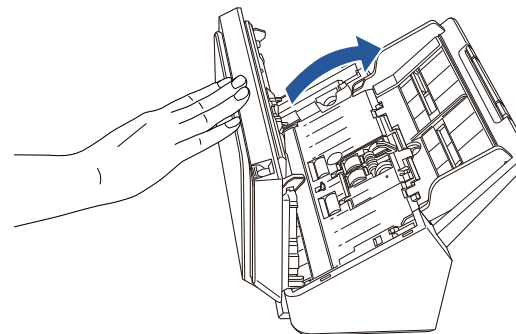
- 1 Remove all documents from the ADF paper chute (feeder).
- 2 Pull the ADF release tab towards you to open the ADF.



Be careful not to have your fingers caught when the ADF closes.

How to Close the ADF

- 1 Close the ADF.
Push the center of the ADF until you hear a click.



Be careful not to have your fingers caught when the ADF closes.

ATTENTION

Make sure that there is no foreign matter caught inside the ADF.

TOP

Contents

Index

Introduction

Scanner Overview

How to Load Documents

How to Use the Operator Panel

Various Ways to Scan

Daily Care

Replacing the Consumables

Troubleshooting

Operational Settings

Appendix

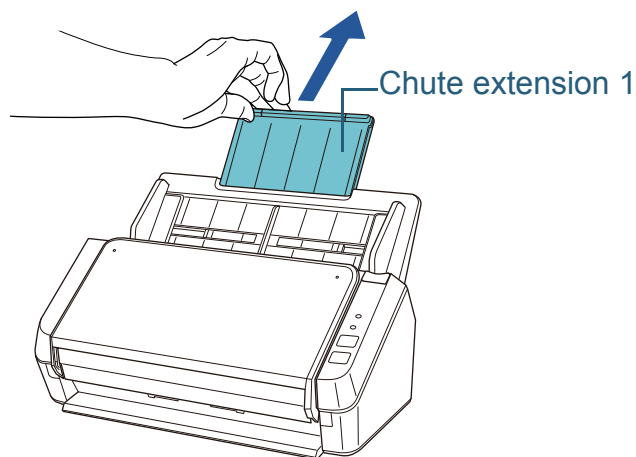
Glossary

1.5 Setting Up the ADF Paper Chute (Feeder)

Documents loaded in the ADF paper chute (feeder) are fed into the ADF one by one.

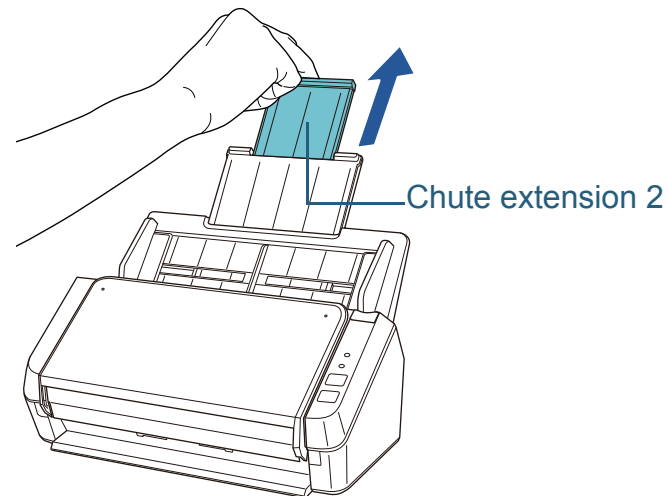
When scanning a relatively long document such as an A4 size document, use chute extensions 1 and 2 as described below so that the document will be kept straight and fed smoothly.

1 Pull out chute extension 1.

**HINT**

Hold the scanner while you pull out the chute extension 1.

2 Pull out chute extension 2.

**HINT**

Hold the scanner while you pull out the chute extension 2.

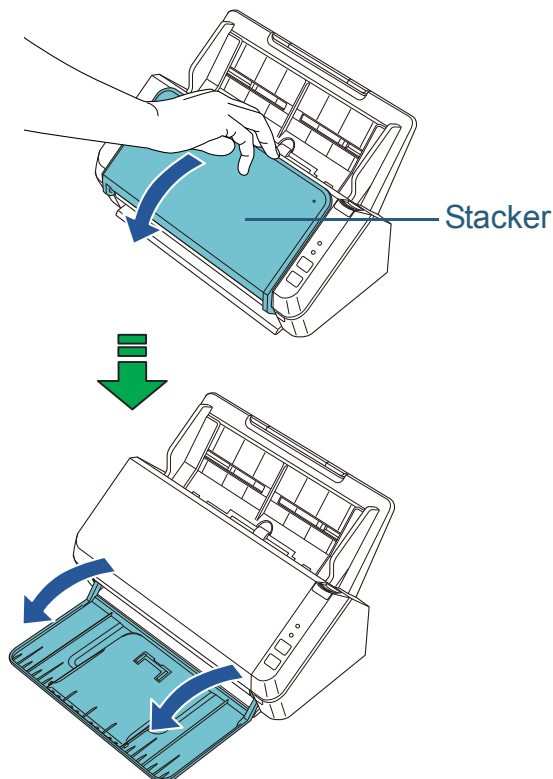
[TOP](#)[Contents](#)[Index](#)[Introduction](#)[Scanner Overview](#)[How to Load Documents](#)[How to Use the Operator Panel](#)[Various Ways to Scan](#)[Daily Care](#)[Replacing the Consumables](#)[Troubleshooting](#)[Operational Settings](#)[Appendix](#)[Glossary](#)

1.6 Setting Up the Stacker

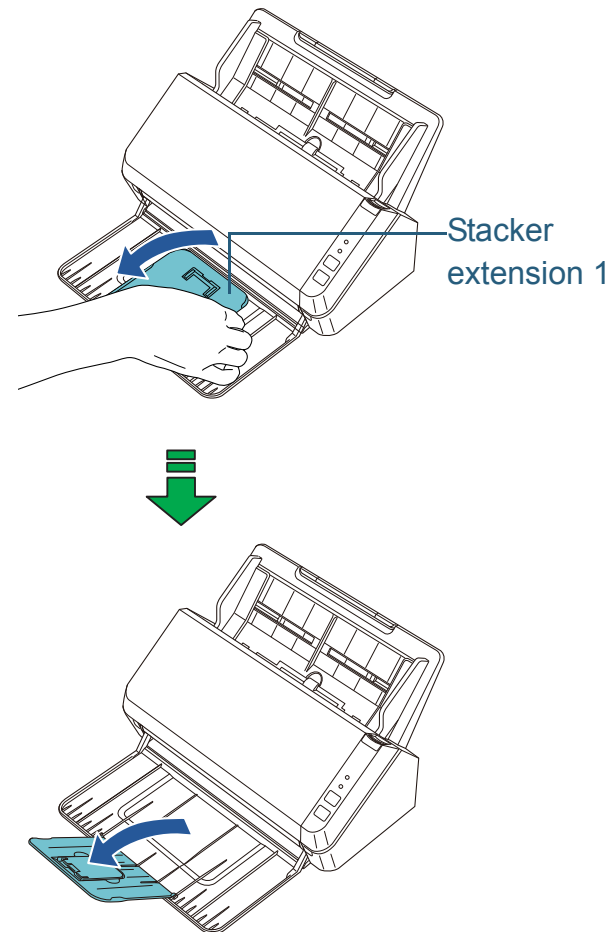
Documents loaded in the ADF paper chute (feeder) are ejected onto the stacker one by one.

Using the stacker and stacker extensions will keep the documents straight and stack them neatly.

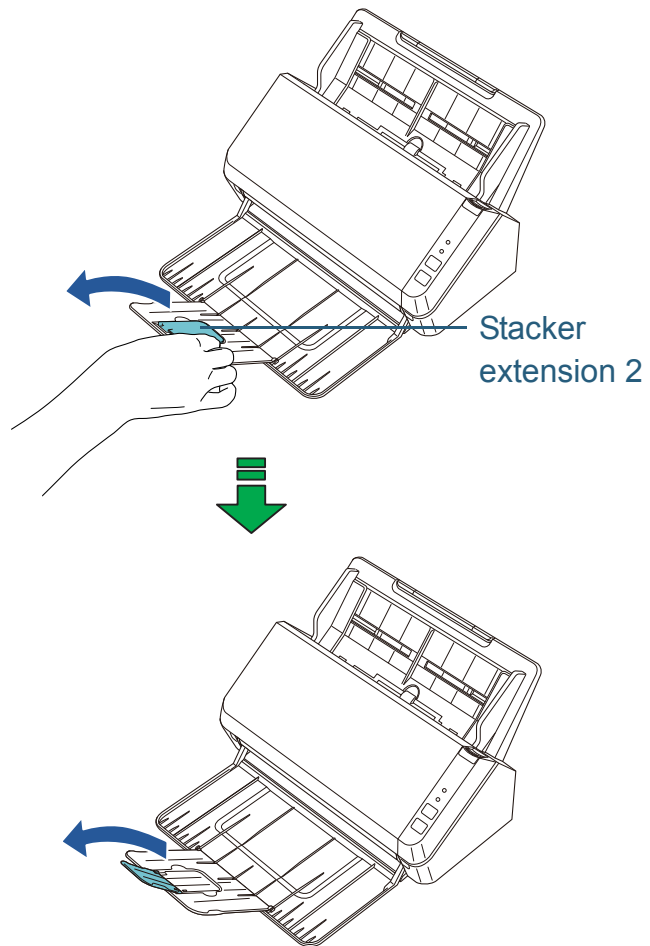
- 1 Hold the top side of the stacker and open it towards you.



- 2 Lift up the stacker extension 1 towards you.

[TOP](#)[Contents](#)[Index](#)[Introduction](#)[Scanner Overview](#)[How to Load Documents](#)[How to Use the Operator Panel](#)[Various Ways to Scan](#)[Daily Care](#)[Replacing the Consumables](#)[Troubleshooting](#)[Operational Settings](#)[Appendix](#)[Glossary](#)

3 Lift up the stacker extension 2 towards you.



TOP

Contents

Index

Introduction

Scanner
Overview

How to Load
Documents

How to Use the
Operator Panel

Various Ways to
Scan

Daily Care

Replacing the
Consumables

Troubleshooting

Operational
Settings

Appendix

Glossary

1.7 Power Saving Mode

Power saving mode keeps the power consumption low when the scanner has not been used for a certain period of time. If the scanner is left powered on for 10 minutes (factory default setting) without being used, it automatically enters power saving mode.

Even after the scanner enters power saving mode, the power indicator remains on.

To resume from power saving mode, perform one of the following:

- Load a document in the ADF paper chute (feeder).
- Press the scan/stop button on the operator panel.
- Perform scanning from an application.

When the scanner resumes from power saving mode, the power indicator flashes until the scanner enters ready status.

If the scanner is not operated for a certain period of time, it turns off automatically to reduce power consumption while the scanner is in standby.

To disable this function, clear the [Power off after a certain period of time] check box in [Device Setting] of the Software Operation Panel. For details, refer to ["Waiting Time to Enter Power Saving Mode \(Power saving\)" \(page 96\)](#).

To turn the scanner back on after it has turned off automatically, press the power button on the operator panel. For details, refer to ["1.3 Turning the Power ON/OFF" \(page 16\)](#).

ATTENTION

- The scanner may not enter power saving mode if there was a document remaining on the paper path. For details about how to remove a document, refer to ["7.1 Paper Jam" \(page 61\)](#).
- Depending on the application being used, the scanner might not turn off even if the [Power off after a certain period of time] check box is selected.
- If the scanner turns off automatically while you are using an image scanning application, close the application before you turn the scanner back on.

HINT

- The waiting time for entering power saving mode can be changed in the Software Operation Panel. For details, refer to ["Waiting Time to Enter Power Saving Mode \(Power saving\)" \(page 96\)](#).
- For details about the operator panel, refer to ["Chapter 3 How to Use the Operator Panel" \(page 36\)](#).

TOP

Contents

Index

Introduction

Scanner
OverviewHow to Load
DocumentsHow to Use the
Operator PanelVarious Ways to
Scan

Daily Care

Replacing the
Consumables

Troubleshooting

Operational
Settings

Appendix

Glossary

1.8 Basic Flow of Scanning Operation

This section explains about the basic flow of performing a scan.

In order to perform a scan, you need a scanner driver and an image scanning application that supports the scanner driver.

The following scanner drivers and image scanning applications are available for this product.

- Scanner drivers
 - PaperStream IP (TWAIN) for ScanZen
 - PaperStream IP (TWAIN x64) for ScanZen
- Image scanning applications
 - PaperStream Capture Lite
 - Presto! PageManager
 - ABBYY FineReader Sprint

HINT

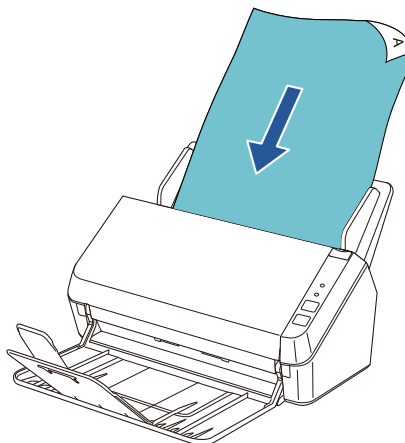
For details about the scanner drivers and image scanning applications, refer to ["1.9 Available Software" \(page 24\)](#).

Scanning procedures and operations vary slightly depending on the image scanning application.

For details, refer to the manual of the image scanning application.

The following describes the normal procedure for scanning.

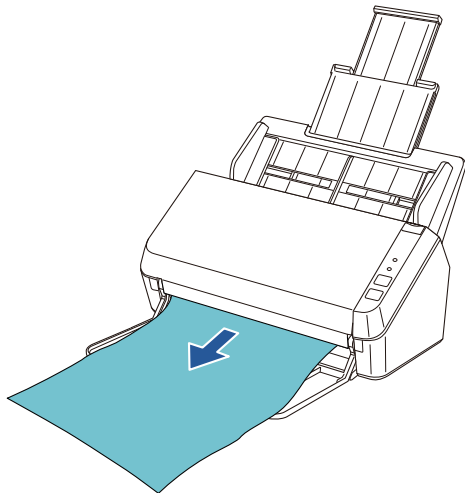
- 1** Turn on the scanner.
For details, refer to ["1.3 Turning the Power ON/OFF" \(page 16\)](#).
- 2** Load a document in the ADF paper chute (feeder).
Load a document face-down in the ADF paper chute (feeder).



For details, refer to ["Chapter 2 How to Load Documents" \(page 26\)](#).

- 3** Start the image scanning application.
- 4** Select a scanner driver to be used.
For some image scanning applications, it may not be necessary to select a scanner driver.
- 5** In the scanner driver's setup window, configure the scan settings.
For some image scanning applications, the scanner driver's setup window may not appear.

6 Scan the document with the image scanning application.



ATTENTION

Do not unplug the USB cable or log off the user account when the scanner and the computer are communicating, for instance, during scanning.

TOP

Contents

Index

Introduction

Scanner Overview

How to Load Documents

How to Use the Operator Panel

Various Ways to Scan

Daily Care

Replacing the Consumables

Troubleshooting

Operational Settings

Appendix

Glossary

1.9 Available Software

Available Software Overview

The following software is available for this product.

- PaperStream IP drivers
PaperStream IP drivers are scanner drivers that conform to TWAIN standards.
There are two types of PaperStream IP drivers.
 - PaperStream IP (TWAIN) for ScanZen
This scanner driver conforms to the TWAIN standard. It is used to operate the scanner from 32-bit applications that conform to the TWAIN standard.
 - PaperStream IP (TWAIN x64) for ScanZen
This scanner driver conforms to the TWAIN standard. It is used to operate the scanner from 64-bit applications that conform to the TWAIN standard.
This driver can be installed in 64-bit operating systems.

For details, refer to the PaperStream IP driver Help.
- Software Operation Panel
This application allows you to configure various settings such as the operation of the scanner and managing the consumables.
It is installed together with the PaperStream IP driver.
For details, refer to "[Chapter 8 Operational Settings](#)" (page 83).
- Error Recovery Guide
This application details the status of the scanner when an error occurs. It is installed together with the PaperStream IP driver.
- PaperStream Capture Lite
An image scanning application which supports PaperStream IP (TWAIN) for ScanZen. By defining scan settings as document profiles, you can customize the settings according to your preference.
- Presto! PageManager
This image scanning application supports PaperStream IP (TWAIN) for ScanZen. It allows the easy scanning, sharing, and organizing of documents.
For details, refer to the Presto! PageManager Help and manual.
- ABBYY FineReader Sprint
This application supports PaperStream IP (TWAIN) for ScanZen. The

WIA driver is not supported. This application allows you to convert scanned images into Word or Excel (*1) files.
For details, refer to the ABBYY FineReader Sprint Help.

*1: Microsoft® Office products must be installed.

For details about how to configure scanner settings and scan different types of documents with the image scanning application, refer to "[Chapter 4 Various Ways to Scan](#)" (page 39).

TOP

Contents

Index

Introduction

Scanner
OverviewHow to Load
DocumentsHow to Use the
Operator PanelVarious Ways to
Scan

Daily Care

Replacing the
Consumables

Troubleshooting

Operational
Settings

Appendix

Glossary

System Requirements

System requirements are described below.

Operating system	<ul style="list-style-type: none"> ● Windows® 7 Home Premium (32-bit/64-bit) ● Windows® 7 Professional (32-bit/64-bit) ● Windows® 7 Enterprise (32-bit/64-bit) ● Windows® 7 Ultimate (32-bit/64-bit) ● Windows® 8.1 (32-bit/64-bit) (*1) ● Windows® 8.1 Pro (32-bit/64-bit) (*1) ● Windows® 8.1 Enterprise (32-bit/64-bit) (*1) ● Windows® 10 Home (32-bit/64-bit) (*1) ● Windows® 10 Pro (32-bit/64-bit) (*1) ● Windows® 10 Enterprise (32-bit/64-bit) (*1) ● Windows® 10 Education (32-bit/64-bit) (*1)
CPU	Intel® Pentium® 4 1.8 GHz or higher (Recommended: Intel® Core™ i5 2.5 GHz or higher, except mobile device processors)
Memory	1 GB or more (Recommended: 4 GB or more)
Display resolution	1024 × 768 pixels or higher, 65536 colors or more
Disk space	11 GB or more of free hard disk space (*2)
Interface	USB 2.0/1.1

*1: The available software for the scanner operates as a desktop application.

*2: Disk space is required based on the size of files to be saved during scanning.

[TOP](#)
[Contents](#)
[Index](#)
[Introduction](#)
[Scanner Overview](#)
[How to Load Documents](#)
[How to Use the Operator Panel](#)
[Various Ways to Scan](#)
[Daily Care](#)
[Replacing the Consumables](#)
[Troubleshooting](#)
[Operational Settings](#)
[Appendix](#)
[Glossary](#)

Chapter 2 How to Load Documents

This chapter explains how to load documents on the scanner.

2.1 Loading Documents.....	27
2.2 Documents for Scanning	29

[TOP](#)

[Contents](#)

[Index](#)

[Introduction](#)

[Scanner
Overview](#)

[How to Load
Documents](#)

[How to Use the
Operator Panel](#)

[Various Ways to
Scan](#)

[Daily Care](#)

[Replacing the
Consumables](#)

[Troubleshooting](#)

[Operational
Settings](#)

[Appendix](#)

[Glossary](#)

2.1 Loading Documents

This section explains how to load documents.

Preparation

HINT

For details about the paper size and quality required for normal operations, refer to ["2.2 Documents for Scanning" \(page 29\)](#).

1 If you are loading multiple sheets, check the documents.

- 1 Check if the documents to be loaded are of the same width or different widths.

Ways to load documents differ depending on whether they are the same width or not.

If the document width varies, refer to ["Conditions for Mixed Batch Scanning" \(page 33\)](#) and ["Documents with Different Widths" \(page 41\)](#).

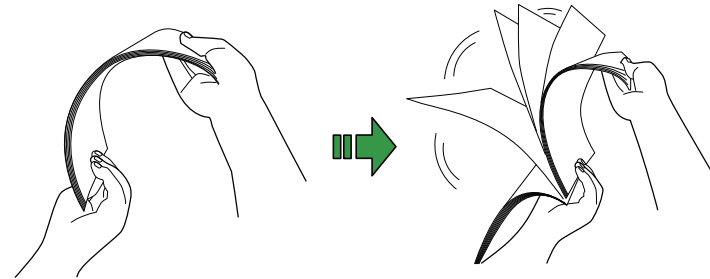
- 2 Check the number of sheets.

Up to 50 sheets can be loaded (with paper weight of 80 g/m² (20 lb) and thickness of the document stack under 5 mm).

For details, refer to ["Loading Capacity" \(page 31\)](#).

2 Fan the documents.

- 1 Grab a stack of documents, which should be 5 mm or less.
- 2 Hold both ends of the documents and fan them a few times.



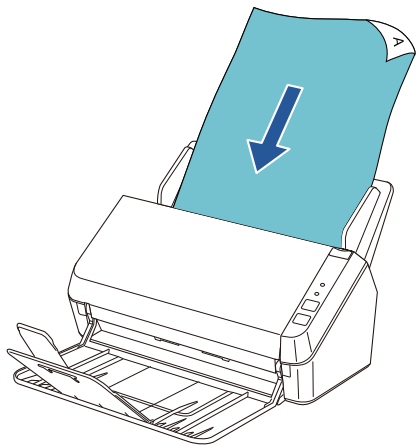
- 3 Rotate the documents 90 degrees and fan them in the same manner.

- 4 Perform steps 1 to 3 for all documents.

- 5 Align the top edges of the documents.

How to Load Documents

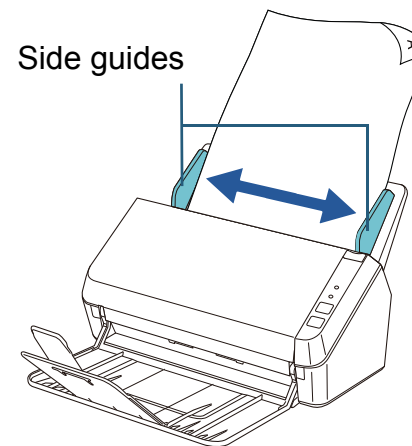
- 1** Pull out the chute extensions according to the length of the document.
For details, refer to "1.5 Setting Up the ADF Paper Chute (Feeder)" (page 18).
- 2** Lift the stacker and stacker extension according to the length of the document.
For details, refer to "1.6 Setting Up the Stacker" (page 19).
- 3** Load the document in the ADF paper chute (feeder).
Load the document face-down in the ADF paper chute (feeder).



ATTENTION

Remove all paper clips and staples. Reduce the number of sheets if a multifeed or pick error occurs.

- 4** Adjust the side guides to the width of the document.
Do not leave space between the side guides and the document.
Otherwise, the document may be fed skewed.



- 5** Scan the document with the image scanning application.
For details, refer to the manual of the image scanning application.

TOP

Contents

Index

Introduction

Scanner
Overview

How to Load
Documents

How to Use the
Operator Panel

Various Ways to
Scan

Daily Care

Replacing the
Consumables

Troubleshooting

Operational
Settings

Appendix

Glossary

2.2 Documents for Scanning

Paper Size

The following paper sizes can be scanned:

ADF	<ul style="list-style-type: none"> ● Maximum size (width × length) <ul style="list-style-type: none"> - A4 portrait (210 × 297 mm/8.3 × 11.7 in.) - Legal (8.5 × 14 in.) - Long page (*1) (216 × 863 mm/8.5 × 34 in., 210 × 3,048 mm/8.3 × 120 in.) ● Minimum size (width × length) A8 (52 × 74 mm/2 × 2.9 in.)
------------	---

*1: Depending on the application or the scan settings for the scanner driver, there may be insufficient memory to perform scanning. When a long page is scanned, a maximum length of 3,048 mm (120 in.) can be scanned with a scanning resolution of 200 dpi or lower.

Document type

The following paper types are recommended:

- Wood-free paper
- Wood-containing paper
- PPC paper (recycled)
- Plastic card

When using paper types other than the above, make sure to test with the same type of paper first to check if the document can be scanned.

Paper weight (document thickness)

Documents with the following paper weights can be scanned:

- 50 to 209 g/m² (13.4 to 56 lb)
- 127 to 209 g/m² (34 to 56 lb) for A8 size
- 0.76 mm or less for plastic cards (Embossed cards allowed (ISO7810 ID-1 type compliant))

Documents That Cannot Be Scanned Successfully

The following types of documents may not be scanned successfully:

- Tracing paper
- Documents that are not square or rectangular
- Extremely thin paper

Documents That Cannot Be Scanned

The following types of documents must not be scanned:

- Paper-clipped or stapled documents
- Documents on which the ink is still wet
- Documents smaller than A8 size (portrait)
- Documents other than paper/plastic card such as fabric, metal foil and OHP film
- Important documents that must not be damaged or smeared
- Documents of non-uniform thickness (e.g. envelopes, documents with attachments)
- Wrinkled or curled documents
- Folded or torn documents
- Coated paper
- Carbon paper
- Carbonless paper
- Photosensitive paper
- Perforated documents
- Photographs (photographic paper)

Precautions

Notes on the documents to be scanned

Depending on the documents to be scanned, take note of the following:

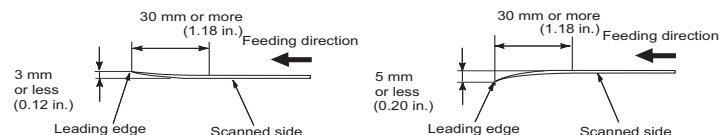
- Since carbonless papers contain chemical substances that may harm the rollers (such as a pick roller), take note of the following.
 - Cleaning

If paper jams occur frequently, clean the brake roller and pick roller.

For details, refer to ["Chapter 5 Daily Care" \(page 46\)](#).
 - Replacing the consumables

The life of the brake roller and pick roller may end sooner compared to scanning wood-free paper.
- When scanning wood-containing papers, the life of the brake roller and pick roller may end sooner compared to scanning wood-free papers.
- The brake roller and pick roller may be damaged when a photo/sticky note on a document gets into contact with these parts during scanning.
- The surface of a document may be damaged when scanning gloss papers such as photographs.
- When scanning semi-transparent documents, increase the brightness for scanning in the scanner driver to avoid bleed-through.
- When you scan documents written in lead pencil, make sure you clean the rollers frequently. Otherwise, the rollers will be contaminated which may leave black traces on the document or cause feeding errors.

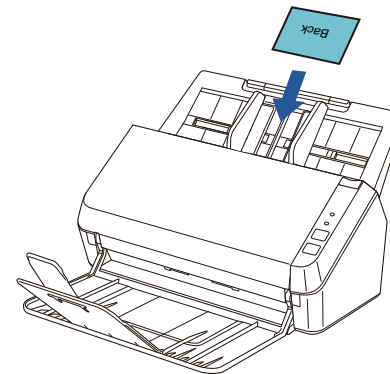
For details about cleaning, refer to ["Chapter 5 Daily Care" \(page 46\)](#).
- If multifeeds, pick errors or paper jams occur frequently, refer to ["7.3 Troubleshooting Problems" \(page 66\)](#).
- When you scan documents with the ADF, all documents must be flat on the leading edge. Make sure that curls on the leading edge of the documents are kept within the following range.



Notes on plastic cards

When you scan plastic cards, take note of the following.

- Make sure you use a card that contains the following specifications, and check if the card can be fed before scanning it.
 - ISO7810 ID-1 type compliant
 - Size: 85.6 × 53.98 mm
 - Thickness: 0.76 mm or less (Embossed cards allowed (ISO7810 ID-1 type compliant))
 - Material: PVC (polyvinyl chloride) or PVCA (polyvinyl chloride acetate)
- Plastic cards should be loaded one card at a time in the ADF paper chute (feeder).

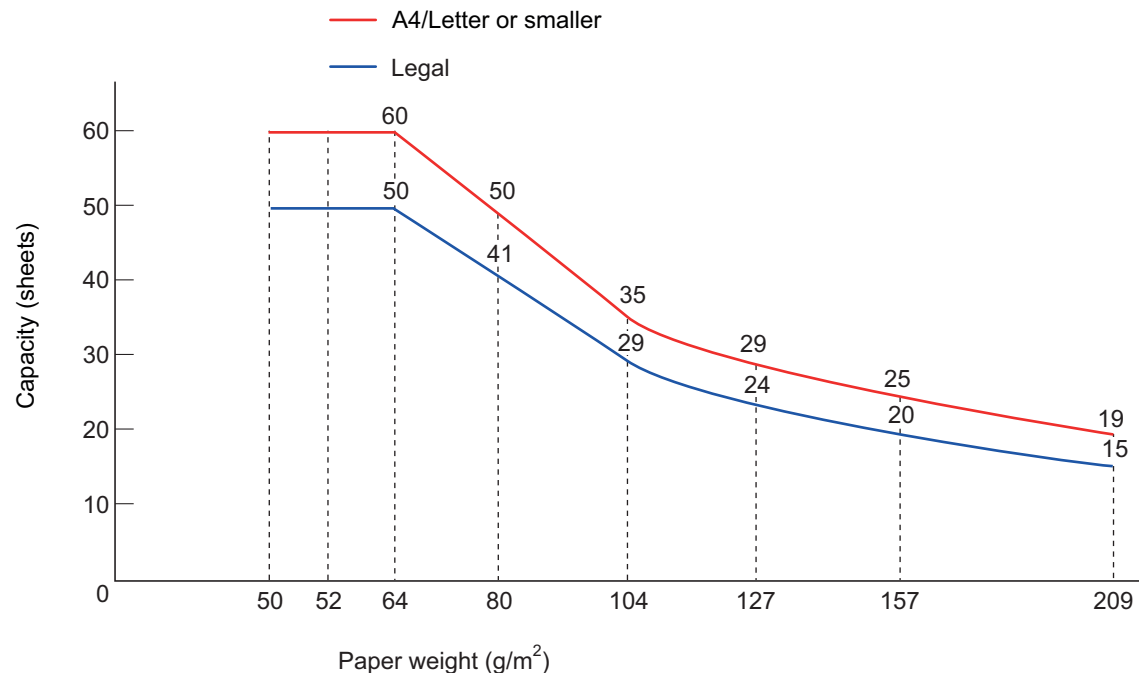


- It is recommended to place the card face-down in the ADF paper chute (feeder).
- Rigid cards may not be fed properly.
- If the surface of the card is dirty with grease marks (e.g. fingerprints) and such, perform scanning after wiping the dirt off.
- Scanning thick documents such as plastic cards will be falsely detected as multifeed.

In this case, disable multifeed detection.

Loading Capacity

The number of sheets that can be loaded in the ADF paper chute (feeder) is determined by the paper size and paper weight. See the graph below.



Unit	Conversion									
g/m ²	50	52	64	75	80	90	104	127	157	209
lb	13.4	14	17	20	21	24	28	34	42	56

TOP

Contents

Index

Introduction

Scanner
Overview

How to Load
Documents

How to Use the
Operator Panel

Various Ways to
Scan

Daily Care

Replacing the
Consumables

Troubleshooting

Operational
Settings

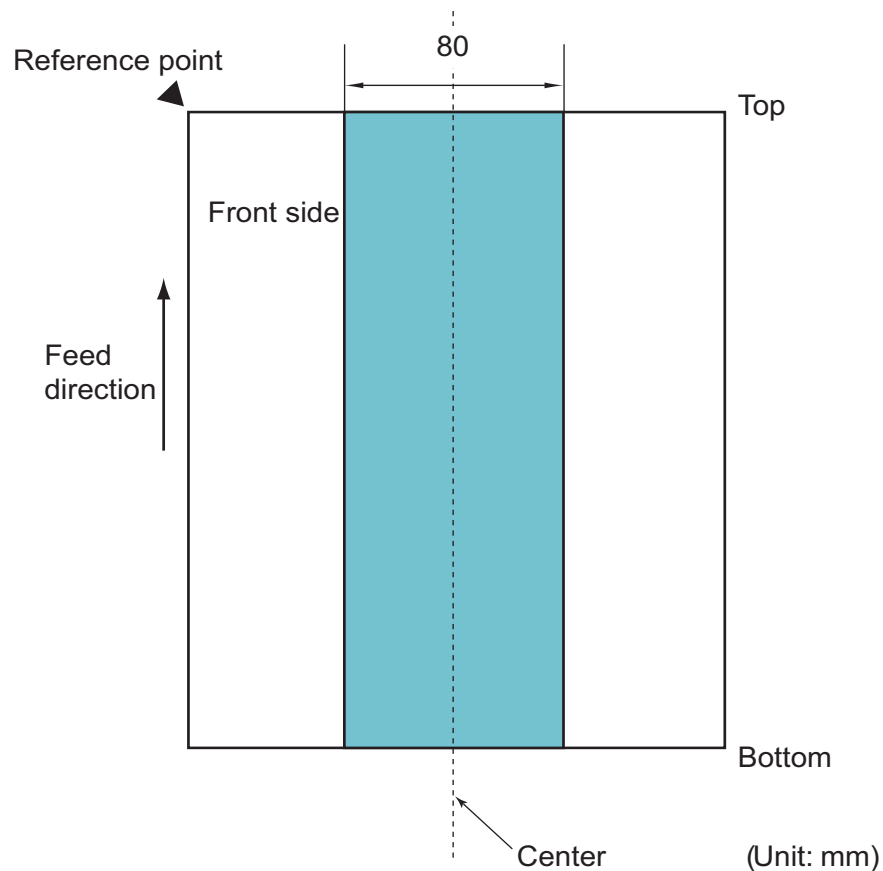
Appendix

Glossary

Area Not to be Perforated

An error may occur when there are punched holes in the area shaded in light blue in the following figure.

Fig. 1



ATTENTION

The above condition applies when the document is set to the center of the pick roller width.

HINT

If there are any holes in the 80 mm-wide central column, you can move the document to the left or right to avoid an error.

Conditions for Multifeed Detection

Multifeed is an error where two or more sheets are fed through the ADF at once. The following conditions are required for an accurate multifeed detection.

- Paper weight: 50 to 209 g/m² (13.4 to 56 lb) (0.06 to 0.26 mm)
- Do not punch holes within 80 mm over the center of the document. See " Fig. 1" (page 32).
- Do not attach other documents within 80 mm over the center of the document. See " Fig. 1" (page 32).

ATTENTION

- The above condition applies when the document is set to the center of the pick roller width.
- Scanning thick documents such as plastic cards will be falsely detected as multifeed. In this case, disable multifeed detection.

HINT

Accuracy of multifeed detection may drop with some documents. Multifeed cannot be detected for the top 30 mm of a document.

TOP

Contents

Index

Introduction

Scanner
OverviewHow to Load
DocumentsHow to Use the
Operator PanelVarious Ways to
Scan

Daily Care

Replacing the
Consumables

Troubleshooting

Operational
Settings

Appendix

Glossary

Conditions for Mixed Batch Scanning

The following conditions apply when scanning a mixed batch of documents with different paper sizes. Make sure to test a few sheets first to check if the documents can be scanned. For details about scanning, refer to ["Documents with Different Widths"](#) (page 41).

ATTENTION

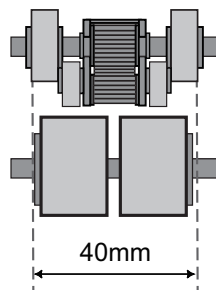
You cannot scan a mixed batch of documents with different paper weights/friction coefficients.

Paper direction

Align the direction of the paper fiber with the feed direction.

Document position

Make sure that all documents are placed over the entire width (approx. 40-mm wide) of the pick roller when loading documents.



Paper size

When you scan a mixed batch of documents with different sizes, feeding the documents at a wrong angle may cause paper jams or part of the image to appear missing.

It is recommended to check the documents thoroughly before scanning and also check the image if the document was skewed.

ATTENTION

When scanning a batch of documents with different sizes, documents are more likely to get skewed because the side guides do not fit every sheet properly.

Documents that cannot be scanned in a mixed batch

The following types of documents cannot be mixed in the same batch:

- Bond paper
- Tracing paper

TOP

Contents

Index

Introduction

Scanner
Overview

How to Load
Documents

How to Use the
Operator Panel

Various Ways to
Scan

Daily Care

Replacing the
Consumables

Troubleshooting

Operational
Settings

Appendix

Glossary

Combinations of standard paper sizes in a mixed batch

Refer to the table below for a guideline of the range available for mixed batch scanning.

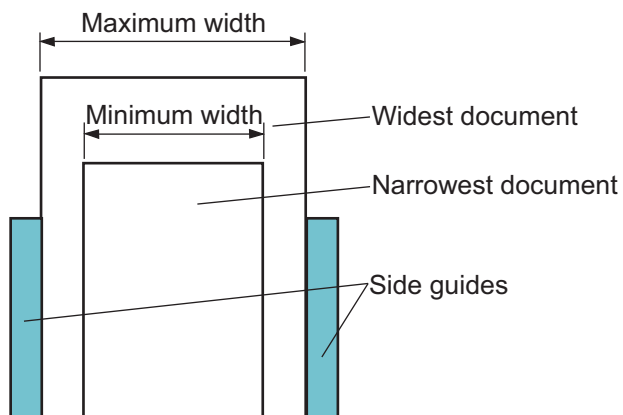
However, note that not feeding the documents straight may cause paper jams or part of the image to appear missing.

It is recommended to check the documents thoroughly before scanning and also check the image if the document was skewed.

Maximum size		LTR (P)	A4 (P) A5 (L)	B5 (P) B6 (L)	A5 (P) A6 (L)	B6 (P) B7 (L)	
Width (mm) (*1)		216	210	182	149	129	
Minimum size	LTR (P)	216					
	A4 (P) A5 (L)	210					
	B5 (P) B6 (L)	182	Available range				
	A5 (P) A6 (L)	149					
	B6 (P) B7 (L)	129					

LTR: Letter size

*1: The following picture shows how to set the widest and the narrowest documents of the batch between the side guides.



ATTENTION

A6 (portrait) and A7 (landscape) or less cannot be scanned with other paper sizes.

- TOP
- Contents
- Index
- Introduction
- Scanner Overview
- How to Load Documents**
- How to Use the Operator Panel
- Various Ways to Scan
- Daily Care
- Replacing the Consumables
- Troubleshooting
- Operational Settings
- Appendix
- Glossary

Conditions for Automatic Page Size Detection

[Automatic Page Size Detection] does not work with the following types of documents:

- Non-rectangular documents

In addition, [Automatic Page Size Detection] may not work with the following types of documents:

- Documents lighter than 50 g/m² (13.4 lb)
- White documents with glossy edges
- Documents with slightly dark (gray) edges

TOP

Contents

Index

Introduction

Scanner
Overview

How to Load
Documents

How to Use the
Operator Panel

Various Ways to
Scan

Daily Care

Replacing the
Consumables

Troubleshooting

Operational
Settings

Appendix

Glossary

Chapter 3 How to Use the Operator Panel

This chapter explains how to use the operator panel.

3.1 Operator Panel	37
--------------------------	----

[TOP](#)

[Contents](#)

[Index](#)

[Introduction](#)

[Scanner
Overview](#)

[How to Load
Documents](#)

[How to Use the
Operator Panel](#)

[Various Ways to
Scan](#)

[Daily Care](#)

[Replacing the
Consumables](#)

[Troubleshooting](#)

[Operational
Settings](#)

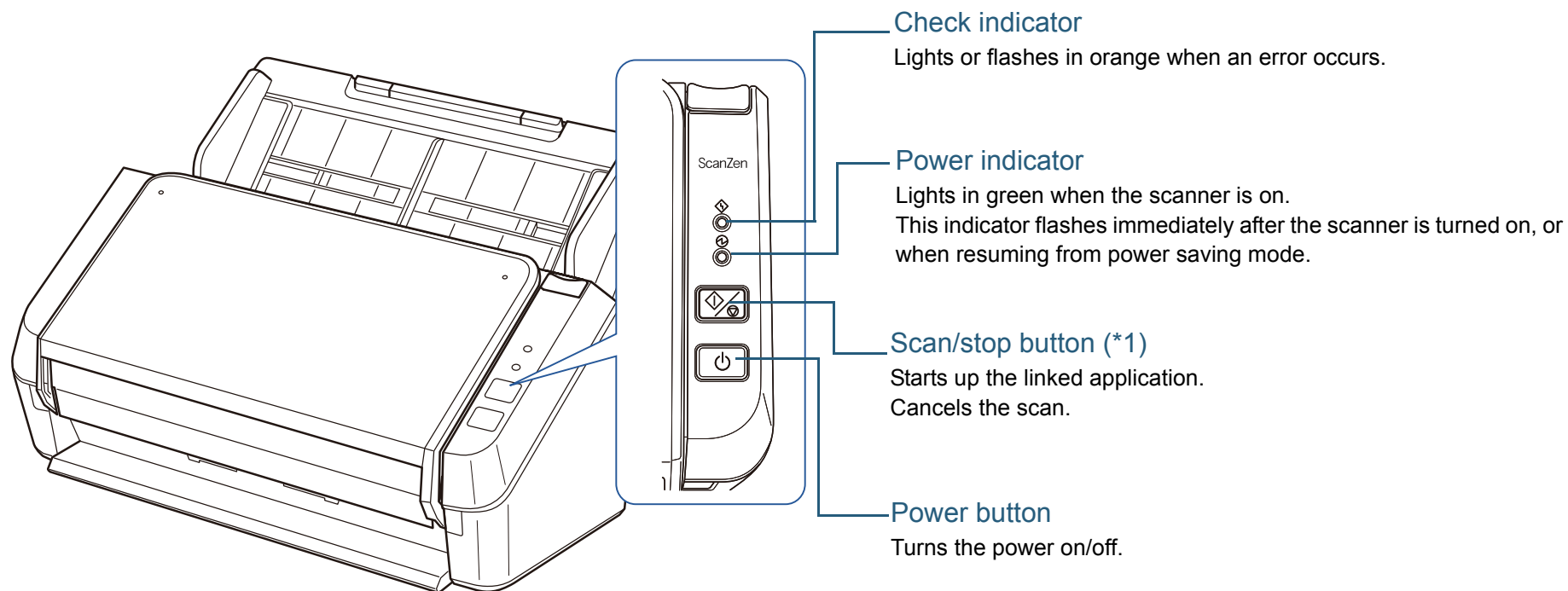
[Appendix](#)

[Glossary](#)

3.1 Operator Panel

The operator panel consists of buttons and indicators.

Names and Functions



*1: For details about how to scan by pressing the scan/stop button, refer to the scanner driver's Help or "[Using a Button on the Scanner to Start Scanning](#)" (page 44).

TOP

Contents

Index

Introduction

Scanner
Overview

How to Load
Documents

How to Use the
Operator Panel

Various Ways to
Scan

Daily Care

Replacing the
Consumables

Troubleshooting

Operational
Settings

Appendix

Glossary

Signals on the Indicator

Check indicator	Power indicator	Description
Off	Flashes	Processing initialization. Continues until the scanner is ready when resuming from power saving mode or after closing the ADF.
Off	On	The scanner is ready to be used. Indicates that the initialization is successfully complete. The indicators operate in the same way when the scanner is in power saving mode.
On	On	Indicates that a temporary error occurred during scanning. For details about errors, refer to "Temporary Errors" (page 64) .
Flashes	On	Indicates that a device error (alarm) occurred during initialization or scanning. For details about errors, refer to "Device Errors" (page 65) .

TOP

Contents

Index

Introduction

Scanner
OverviewHow to Load
DocumentsHow to Use the
Operator PanelVarious Ways to
Scan

Daily Care

Replacing the
Consumables

Troubleshooting

Operational
Settings

Appendix

Glossary

Chapter 4 Various Ways to Scan

This chapter explains how to configure scanner settings to scan different types of documents with the image scanning application.

4.1 Summary	40
4.2 Scanning Documents of Different Types and Sizes.....	41
4.3 Advanced Scanning.....	44

4.1 Summary

The following lists the main ways of scanning documents.

Scanning documents of different types and sizes

- ["Documents with Different Widths" \(page 41\)](#)
- ["Long Page Scanning" \(page 42\)](#)

Advanced Scanning

- ["Using a Button on the Scanner to Start Scanning" \(page 44\)](#)

For information on other ways of scanning, refer to the scanner driver's Help.

TOP

Contents

Index

Introduction

Scanner
Overview

How to Load
Documents

How to Use the
Operator Panel

Various Ways to
Scan

Daily Care

Replacing the
Consumables

Troubleshooting

Operational
Settings

Appendix

Glossary

4.2 Scanning Documents of Different Types and Sizes

Documents with Different Widths

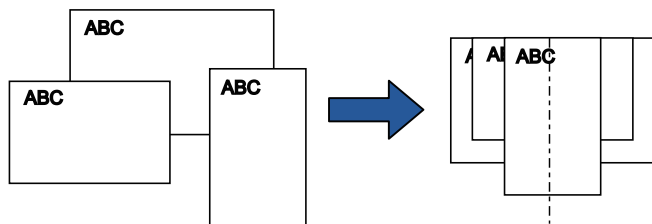
ATTENTION

When you scan a mixed batch of documents with different widths, some of the smaller documents may be skewed or not fed into the ADF. In that case, separate the documents by their widths, and scan them in different batches.

HINT

For more details about scanning a mixed batch of documents, refer to ["Conditions for Mixed Batch Scanning"](#) (page 33).

- 1 Align the top of the documents.

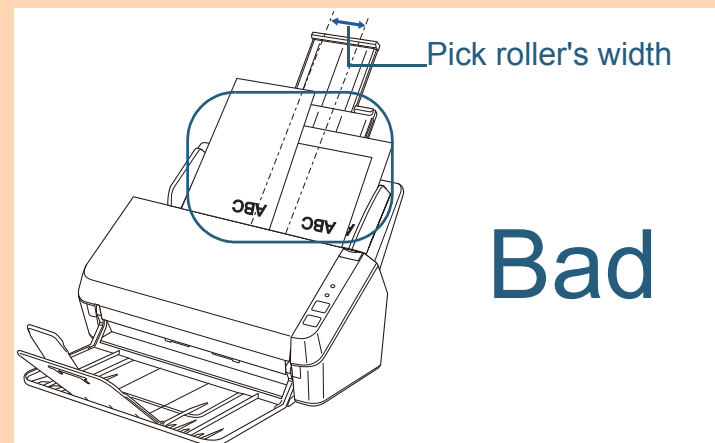
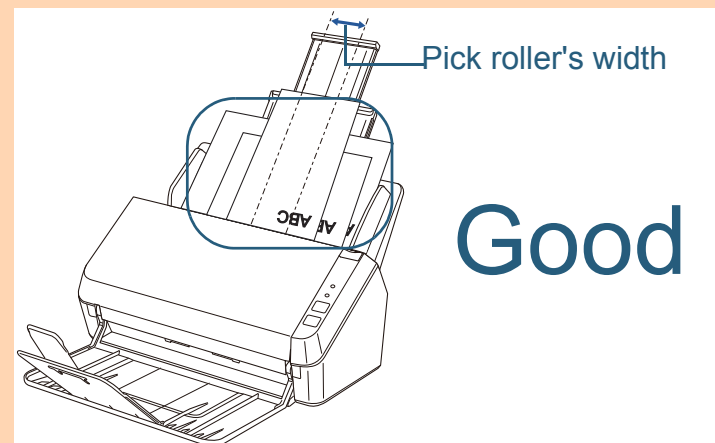


- 2 Load the documents in the center of the ADF paper chute (feeder), and adjust the side guides to fit the widest document in the batch.

For details, refer to ["Chapter 2 How to Load Documents"](#) (page 26).

ATTENTION

Make sure that all documents are placed over the pick roller. Otherwise, some documents may be skewed or not fed into the ADF.



3 In the scanner driver, configure the scan settings to detect the paper size automatically.

For details, refer to the scanner driver's Help.

4 Scan the document with the image scanning application.

For details, refer to the manual of the image scanning application.

Long Page Scanning

Documents with a length up to 3,048 mm (120 in.) can be scanned by long page scanning.

Document sizes that can be scanned vary depending on the image scanning application.

For details, refer to the manual of the image scanning application.

1 Load a document in the ADF paper chute (feeder).

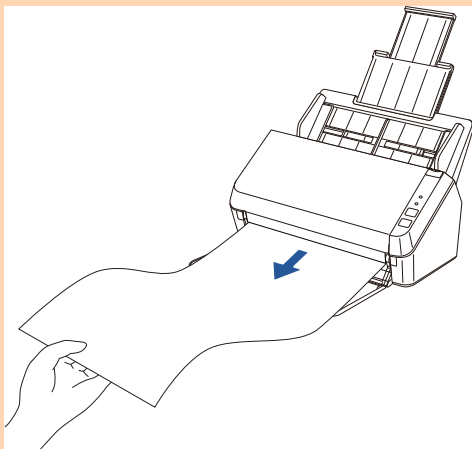
For details, refer to ["Chapter 2 How to Load Documents" \(page 26\)](#).

ATTENTION

- Long page documents should be loaded one sheet at a time in the ADF paper chute (feeder).
- When you scan long pages, take note of the following.
 - Loading
Hold the document with your hand so it does not fall out of the ADF paper chute (feeder).



- Removing
Secure enough space around the stacker then place your hand on the it to prevent the ejected sheet from falling off the stacker.



HINT

To scan documents longer than A4/Letter size, perform the following:

- Pull out the chute extensions all the way.
For details, refer to "[1.5 Setting Up the ADF Paper Chute \(Feeder\)](#)" (page 18).
- Lift the stacker and stacker extension towards you.
For details, refer to "[1.6 Setting Up the Stacker](#)" (page 19).

2 In the scanner driver, configure the scan settings to scan long pages.

For details, refer to the scanner driver's Help.

For some image scanning applications, the scanner driver's setup window may not appear.

3 Scan the document with the image scanning application.

For details, refer to the manual of the image scanning application.

- TOP
- Contents
- Index
- Introduction
- Scanner Overview
- How to Load Documents
- How to Use the Operator Panel
- Various Ways to Scan
- Daily Care
- Replacing the Consumables
- Troubleshooting
- Operational Settings
- Appendix
- Glossary

4.3 Advanced Scanning

Using a Button on the Scanner to Start Scanning

The scan/stop button on the scanner can be configured to perform scanning.

To configure this setting, you first need to assign an application to be started up with the scan/stop button.

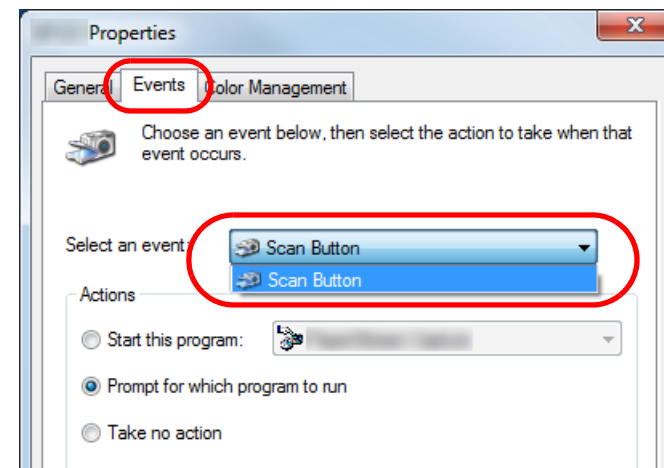
Computer Setup

- 1 Check that the scanner is connected to the computer, then turn on the scanner.
For details about how to connect the scanner to the computer, refer to the web page that is shown on the Welcome to ScanZen Card.
For details about how to turn on the scanner, refer to "1.3 Turning the Power ON/OFF" (page 16).
- 2 Display the [Control Panel] window.
 - Windows 7
Click the [Start] menu → [Control Panel].
 - Windows 8.1
Select [↓] on the lower left side of the Start screen → [Control Panel] under [Windows System].
To display [↓], move the mouse cursor.
 - Windows 10
Right-click the [Start] menu and select [Control Panel].
- 3 Click [View devices and printers].
⇒ The [Devices and Printers] window appears.
- 4 Right-click on the scanner icon, and select [Scan properties] from the displayed menu.

⇒ The properties dialog box of the scanner appears.

- 5 Click the [Events] tab and select an event.

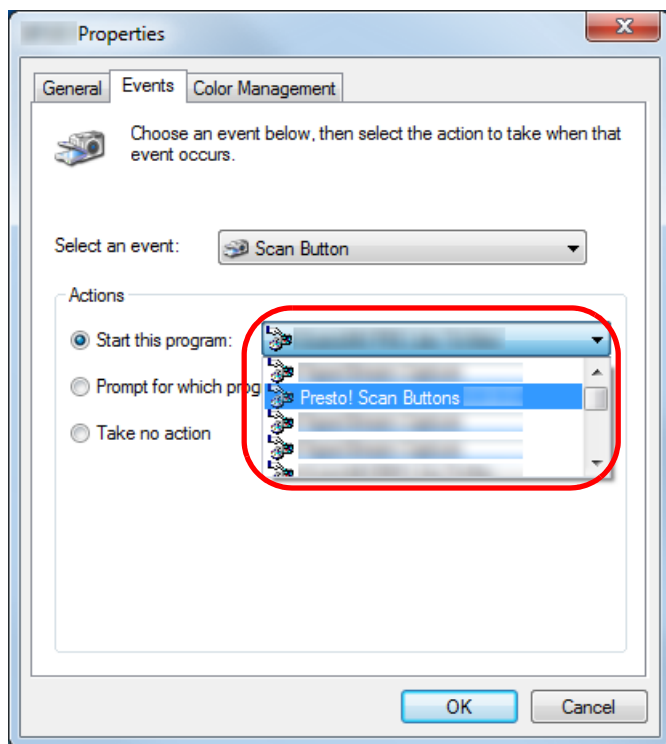
From the [Select an event] drop-down list, select an event from which you want to launch an application.



In this function, the following events can be selected:

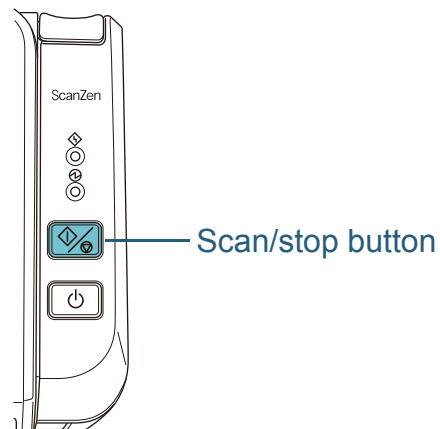
- Scan Button (when the scan/stop button is pressed)

- 6** Select an action and an application to be launched by the scanner button event.
Click [Start this program] under [Actions], and select an application from the drop-down list on the right.



- 7** Click the [OK] button.
The setup of the computer is complete. Proceed to configure the scanner settings.

Scanner setup



No particular setting is required.

⇒ The specified application is launched when you press the scan/stop button.

HINT

For details, refer to "[Chapter 3 How to Use the Operator Panel](#)" (page 36).

Chapter 5 Daily Care

This chapter explains how to clean the scanner.



Do not use aerosol spray or spray that contains alcohol to clean the scanner. Dust blown up by strong air from the spray may enter inside the scanner which may cause the scanner to fail or malfunction.
Also note that sparks generated by static electricity may cause a fire.

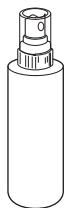
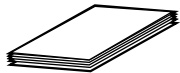



The inside of the ADF becomes very hot when the scanner is being used.
Before you start cleaning the inside, make sure to turn off the power, unplug the power cable and wait at least 15 minutes for the ADF glass to cool down.

5.1 Cleaning Materials and Locations that Require Cleaning.....	47
5.2 Cleaning the Outside	49
5.3 Cleaning the Inside.....	50

5.1 Cleaning Materials and Locations that Require Cleaning

Cleaning Materials

Name	Part No.	Notes
Cleaner F1 	PA03950-0352	1 bottle (100 ml) Moisten a cloth or Cleaning Paper with this liquid to wipe the scanner clean. It may take a long time to dry if an excessive amount is used. Use it in small quantity. Wipe off the cleaner completely to leave no residue on the cleaned parts.
Cleaning Paper 	CA99501-0012	1 pack (10 sheets) Use this non-woven sheet with Cleaner F1.
Cleaning Wipe 	PA03950-0869	1 box (24 packets) Pre-moistened with Cleaner F1. It can be used instead of moistening a cloth with Cleaner F1.
Cotton swab	Commercially available	
Dry cloth		

ATTENTION

In order to use the cleaning materials safely and correctly, read the precautions on each product thoroughly.

For more information about the cleaning materials, contact the distributor/dealer where you purchased this product. Or, make an inquiry by referring to the Welcome to ScanZen Card bundled with this product.

TOP

Contents

Index

Introduction

Scanner
OverviewHow to Load
DocumentsHow to Use the
Operator PanelVarious Ways to
Scan

Daily Care

Replacing the
Consumables

Troubleshooting

Operational
Settings

Appendix

Glossary

Location and Frequency

Location		Frequency
ADF	Brake roller	Every 3,000 sheets
	Pick roller	
	Plastic idler roller	
	Glass	
	Ultrasonic sensor	
	Feed roller	
	Eject roller	

ATTENTION

Cleaning cycles may vary depending on the condition of the documents. Also, cleaning must be performed more frequently when the following types of documents are scanned:

- Smooth-faced documents such as coated paper
- Documents with printed text/graphics that almost cover the entire surface
- Documents containing a large amount of calcium carbonate
- Documents written in lead pencil
- Documents on which the toner is not sufficiently fused

TOP

Contents

Index

Introduction

Scanner
OverviewHow to Load
DocumentsHow to Use the
Operator PanelVarious Ways to
Scan

Daily Care

Replacing the
Consumables

Troubleshooting

Operational
Settings

Appendix

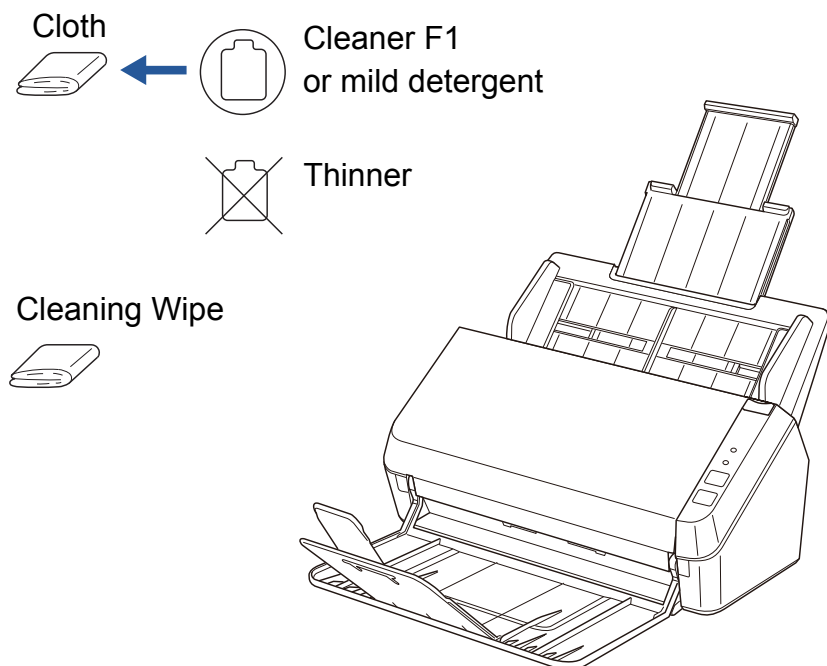
Glossary

5.2 Cleaning the Outside

The outside of the scanner, including the ADF paper chute (feeder) and the stacker, should be cleaned with a piece of dry cloth, a cloth moistened with Cleaner F1/mild detergent, or a sheet of Cleaning Wipe.

ATTENTION

- To avoid deformation and discoloration, never use paint thinner or any other organic solvents.
- Be careful not to let any moisture or water get inside the scanner during cleaning.
- It may take a long time to dry if an excessive amount of Cleaner F1/mild detergent is used. Use it in small quantity. Wipe off the cleaner completely to leave no residue on the cleaned parts.

[TOP](#)[Contents](#)[Index](#)[Introduction](#)[Scanner Overview](#)[How to Load Documents](#)[How to Use the Operator Panel](#)[Various Ways to Scan](#)[Daily Care](#)[Replacing the Consumables](#)[Troubleshooting](#)[Operational Settings](#)[Appendix](#)[Glossary](#)

5.3 Cleaning the Inside

Cleaning the ADF (with Cleaning Paper)

The ADF can be cleaned with a sheet of Cleaning Paper moistened with Cleaner F1.

As the scanner continues to feed the documents, paper dust will accumulate inside the ADF and it may cause scanning errors.

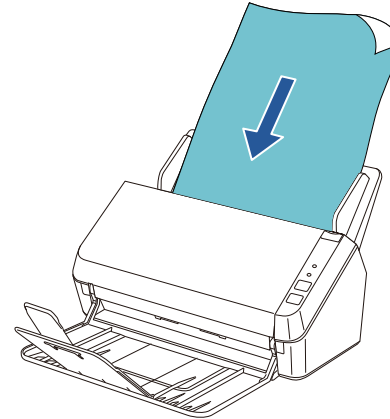
Cleaning should be performed approximately every 3,000 sheets scanned. Note that the cleaning frequency varies depending on the types of documents you scan. For instance, it may be necessary to clean the scanner more frequently when you scan documents on which the toner is not sufficiently fused.

ATTENTION

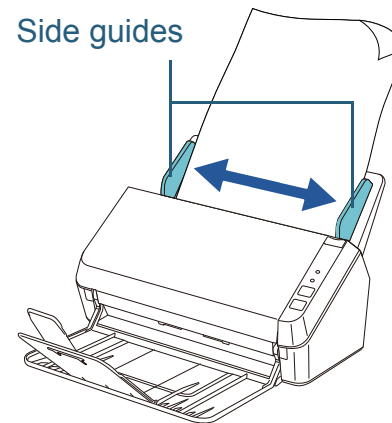
- Do not use water or mild detergent to clean the ADF.
- It may take a long time to dry if an excessive amount of Cleaner F1 is used. Use it in small quantity.

- 1 Turn on the scanner.
For details, refer to "1.3 Turning the Power ON/OFF" (page 16).
- 2 Spray the Cleaning Paper with Cleaner F1.
- 3 Pull out the chute extensions according to the length of the Cleaning Paper.
For details, refer to "1.5 Setting Up the ADF Paper Chute (Feeder)" (page 18).
- 4 Lift the stacker and stacker extension according to the length of the Cleaning Paper.
For details, refer to "1.6 Setting Up the Stacker" (page 19).

- 5 Load the Cleaning Paper in the ADF paper chute (feeder).



- 6 Adjust the side guides to the width of the Cleaning Paper. Do not leave space between the side guides and the Cleaning Paper. Otherwise, the Cleaning Paper may be fed skewed.



- 7 Start an application for scanning and perform a scan.

Cleaning the ADF (with Cloth)

The ADF can be cleaned with a piece of cloth moistened with Cleaner F1 or a sheet of Cleaning Wipe.

As the scanner continues to feed the documents, paper dust will accumulate inside the ADF and it may cause scanning errors.

Cleaning should be performed approximately every 3,000 sheets scanned. Note that the cleaning frequency varies depending on the types of documents you scan. For instance, it may be necessary to clean the scanner more frequently when you scan documents on which the toner is not sufficiently fused.



The inside of the ADF becomes very hot when the scanner is being used. Before you start cleaning the inside, make sure to turn off the power, unplug the power cable and wait at least 15 minutes for the ADF glass to cool down.

ATTENTION

- Do not use water or mild detergent to clean the ADF.
- It may take a long time to dry if an excessive amount of Cleaner F1 is used. Use it in small quantity. Wipe off the cleaner completely to leave no residue on the cleaned parts.

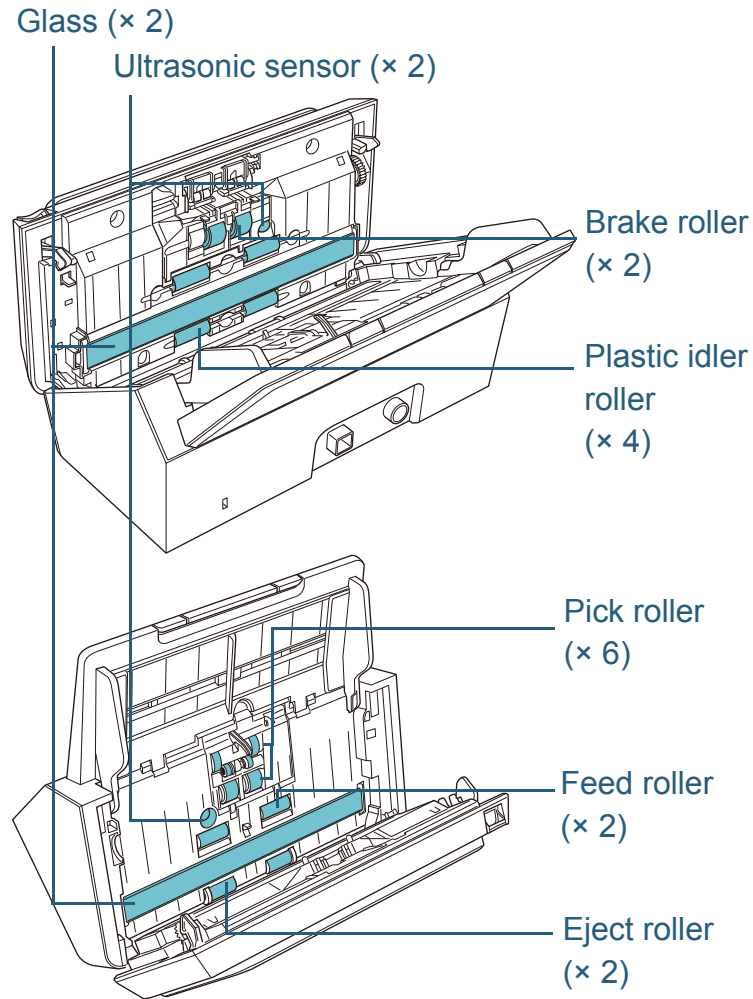
1 Turn off the scanner and wait for at least 15 minutes. For details, refer to "1.3 Turning the Power ON/OFF" (page 16).

2 Open the ADF. For details, refer to "1.4 Opening/Closing the ADF" (page 17).



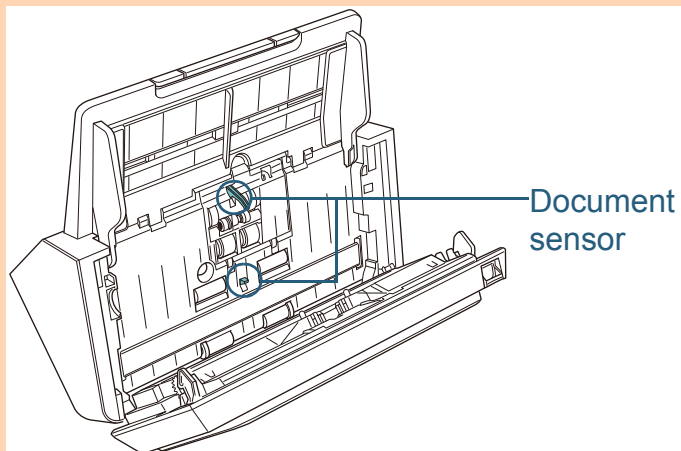
Be careful not to have your fingers caught when the ADF closes.

3 Clean the following locations with a cloth moistened with Cleaner F1 or a sheet of Cleaning Wipe.



ATTENTION

Make sure that the cloth does not get caught and damage the document sensors.

**Plastic idler roller (× 4)**

Gently wipe the surface as you rotate the roller manually, taking care not to damage the roller surface. Make sure that it is cleaned properly because residue on the roller will affect the feeding performance.

Glass (× 2)

Gently wipe dirt and dust off the surface of the glass sections.

ATTENTION

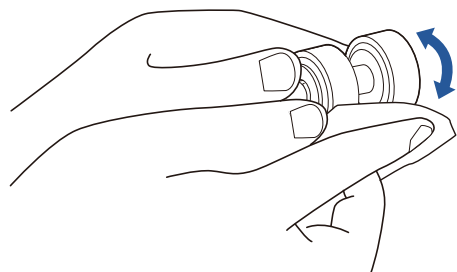
Vertical streaks may appear on a scanned image when the glass is dirty.

Brake roller (× 2)

Remove the roller from the scanner.

For details about removing the brake roller, refer to "[6.2 Replacing the Roller Set](#)" (page 57).

Gently wipe the surface of the rollers.

**Pick roller (× 6)**

Gently wipe the surface as you rotate the roller manually, taking care not to damage the roller surface. Make sure that it is cleaned properly because residue on the roller will affect the feeding performance.

TOP

Contents

Index

Introduction

Scanner
OverviewHow to Load
DocumentsHow to Use the
Operator PanelVarious Ways to
Scan

Daily Care

Replacing the
Consumables

Troubleshooting

Operational
Settings

Appendix

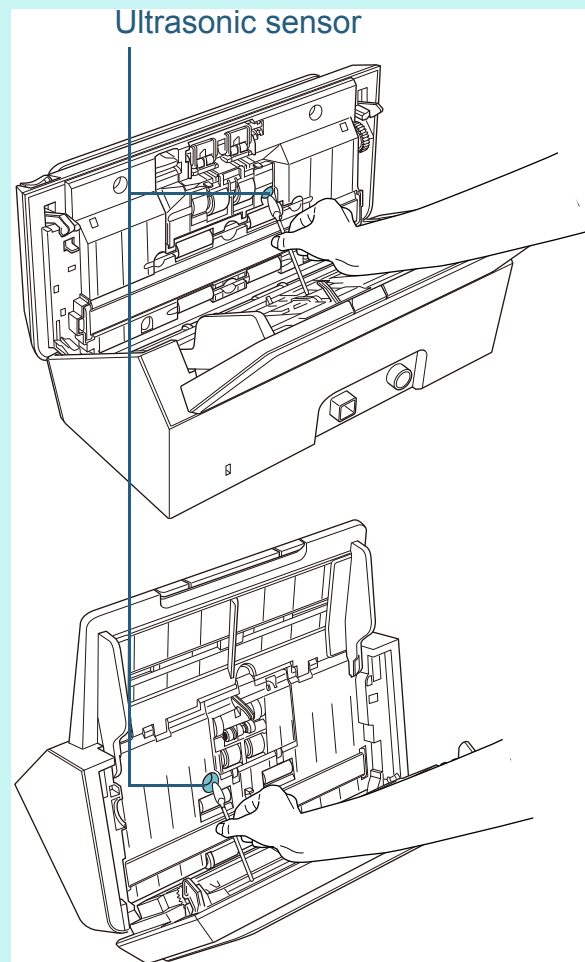
Glossary

Ultrasonic sensor (× 2)

Gently wipe dirt and dust off the surface of the ultrasonic sensors.

HINT

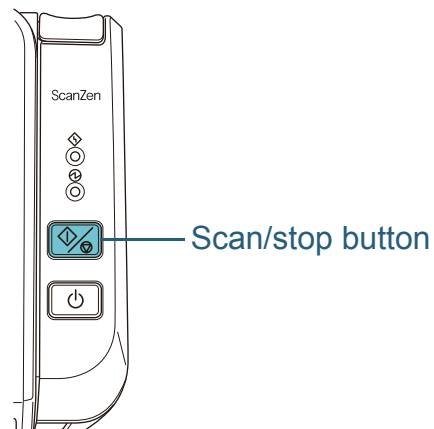
If it is difficult to clean, use a cotton swab.



Feed roller (× 2)/Eject roller (× 2)

The power must be turned on to rotate the feed/eject rollers for cleaning.

- 1 Turn on the scanner.
For details, refer to "1.3 Turning the Power ON/OFF" (page 16).
- 2 When the operator panel is in ready status, open the ADF.
For details, refer to "1.4 Opening/Closing the ADF" (page 17).
- 3 When you press the scan/stop button on the operator panel for more than 2 seconds, the feed/eject rollers rotate.



CAUTION When you press the scan/stop button, the feed/eject rollers rotate at the same time. Be careful not to touch the rollers with your hand while they are rotating.

- 4 Put a piece of cloth moistened with Cleaner F1 or a sheet of Cleaning Wipe against the roller surface, and wipe horizontally. Wipe the whole surface by pressing the scan/stop button to rotate the rollers.
Make sure that it is cleaned properly because residue on the roller will affect the feeding performance.

4 Close the ADF.

For details, refer to "1.4 Opening/Closing the ADF" (page 17).



Be careful not to have your fingers caught when the ADF closes.

ATTENTION

Check that the ADF is closed properly. Otherwise, the document may not be fed into the ADF.

TOP

Contents

Index

Introduction

Scanner
Overview

How to Load
Documents

How to Use the
Operator Panel

Various Ways to
Scan

Daily Care

Replacing the
Consumables

Troubleshooting

Operational
Settings

Appendix

Glossary

Chapter 6 Replacing the Consumables

This chapter explains how to replace the consumables for the scanner.



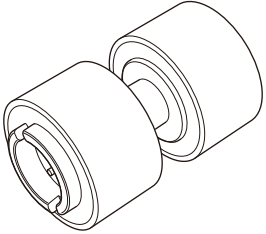
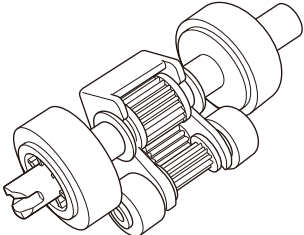
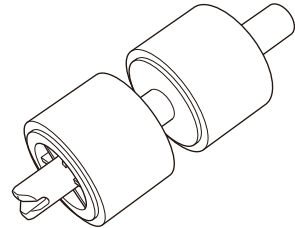
The inside of the ADF becomes very hot when the scanner is being used.

Before you replace the consumables, make sure to turn off the power, unplug the power cable and wait at least 15 minutes for the ADF glass to cool down.

6.1 Consumables and Replacement Cycles.....	56
6.2 Replacing the Roller Set.....	57

6.1 Consumables and Replacement Cycles

The following table shows the consumables used for the scanner.

Name	Part No.	Suggested Replacement Cycle
ROLLER SET ● Brake roller  ● Pick roller  	PA03708-0001	100,000 sheets or one year

Consumables need to be replaced periodically. It is recommended that you keep a stock of new consumables for replacement before it reaches the end of its life. The scanner records the number of sheets scanned after replacing the consumables, which allows you to check the status of the consumables.

For details, refer to "[8.4 Settings Related to Sheet Counters](#)" (page 94).

Note that the suggested replacement cycles are references for using A4 (80 g/m² (20 lb) wood-free or wood-containing paper, as these cycles vary depending on the type of documents scanned and how often the scanner is used and cleaned.

HINT

Only use the specified consumables.

To purchase the consumables, contact the distributor/dealer where you purchased this product. Or, make an inquiry by referring to the Welcome to ScanZen Card bundled with this product.

TOP

Contents

Index

Introduction

Scanner
OverviewHow to Load
DocumentsHow to Use the
Operator PanelVarious Ways to
Scan

Daily Care

Replacing the
Consumables

Troubleshooting

Operational
Settings

Appendix

Glossary

6.2 Replacing the Roller Set

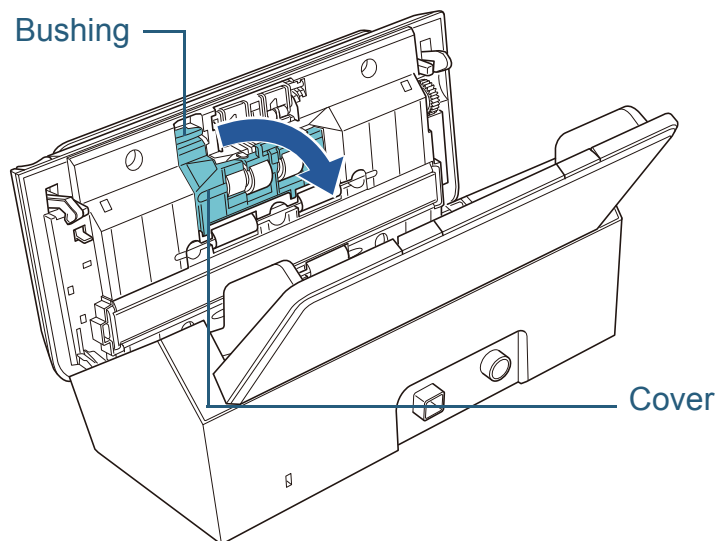
The roller set consists of a brake roller and a pick roller. Replace each roller in the following procedure.

- 1 Remove all documents from the ADF paper chute (feeder).
- 2 Open the ADF.
For details, refer to "1.4 Opening/Closing the ADF" (page 17).

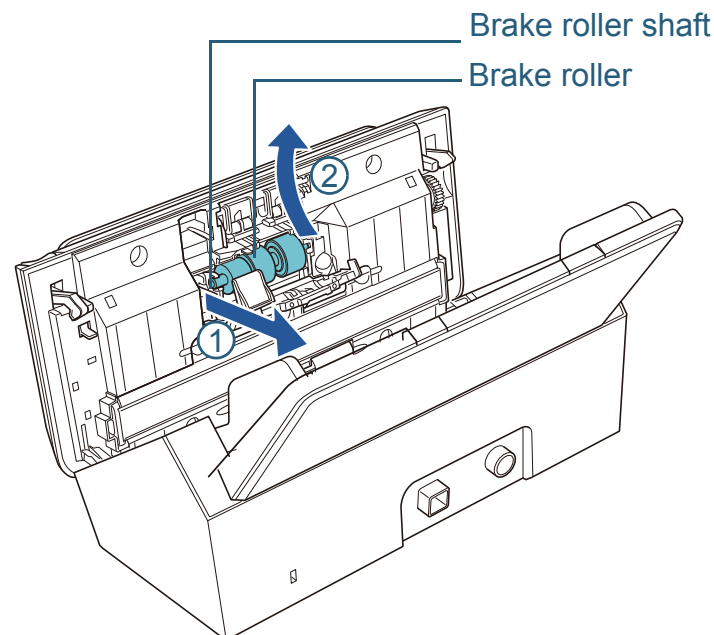


Be careful not to have your fingers caught when the ADF closes.

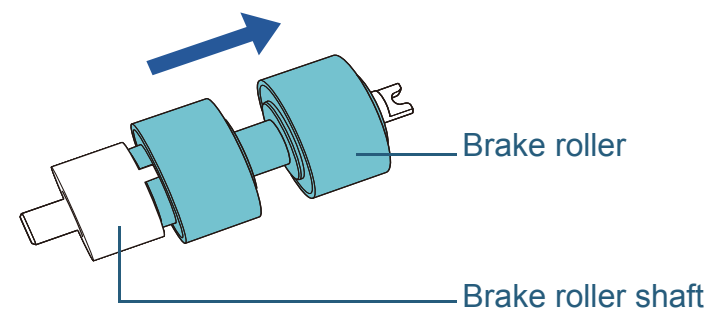
- 3 Remove the brake roller.
 - 1 Press the cover bushing of the brake roller to open the cover in the direction of the arrow.



- 2 Pull out the left side of the brake roller shaft, and then pull out the right side of the shaft from the hole.



- 4 Remove the brake roller from its shaft.



TOP

Contents

Index

Introduction

Scanner
OverviewHow to Load
DocumentsHow to Use the
Operator PanelVarious Ways to
Scan

Daily Care

Replacing the
Consumables

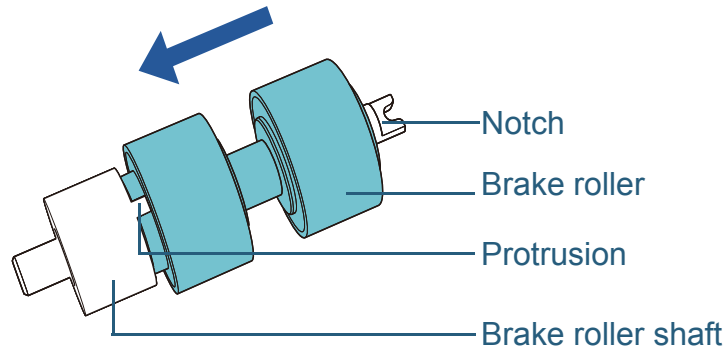
Troubleshooting

Operational
Settings

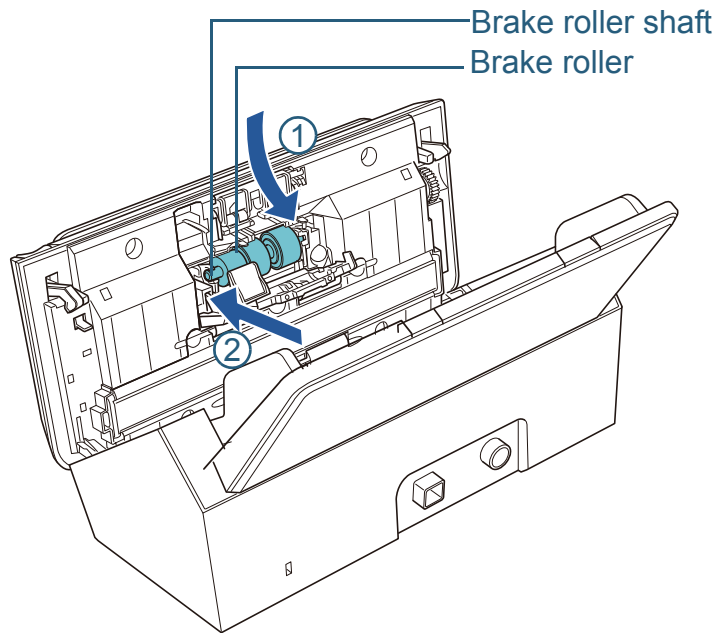
Appendix

Glossary

- 5** Attach a new brake roller on the shaft.
Insert the protrusion on the shaft into the slot.



- 6** Attach the shaft.
1 Attach the notch, which is on the brake roller shaft, to the slot on the right then attach the left side of the shaft.



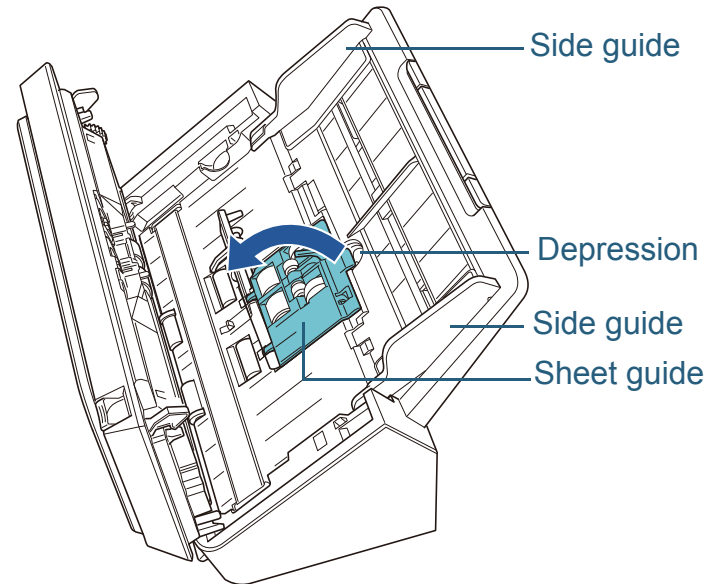
- 2 Close the cover.

ATTENTION

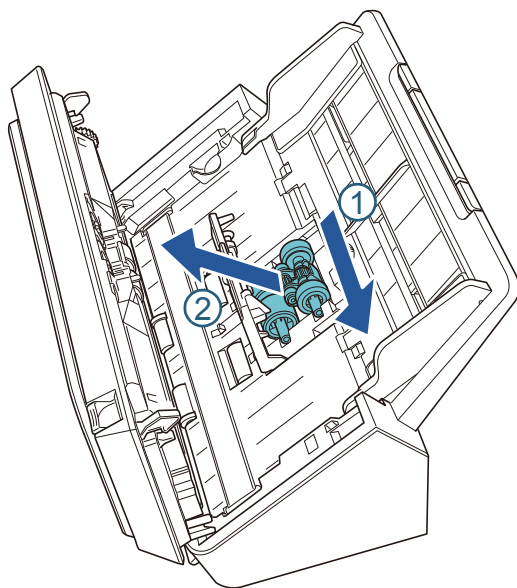
Confirm that the brake roller is installed properly. Otherwise, it may cause feeding errors such as paper jams.

- 7** Remove the pick roller.

- 1 Open the side guide fully to both sides. Then place your finger into the depression and open the sheet guide in the direction of the arrow.

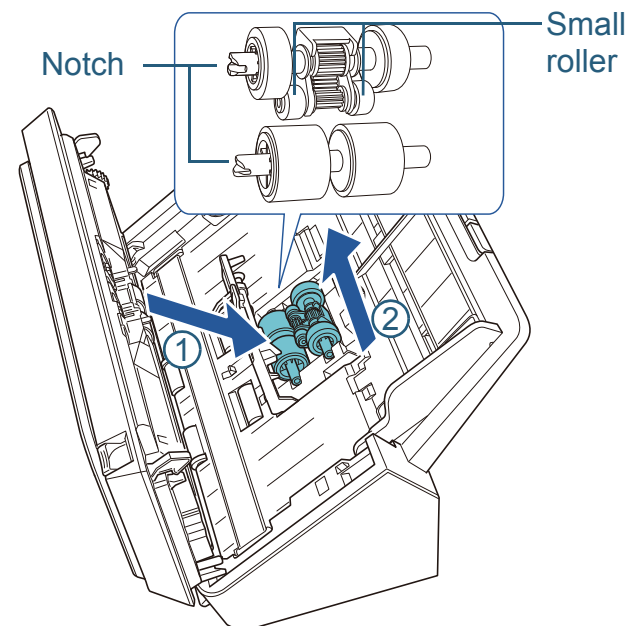


- 2 Slide the pick roller and remove it from the top.



- 8 Attach a new pick roller from the bottom.

- 1 Check the direction of the notch on the pick roller and of the small roller, and insert it in the hole.



- 2 Close the sheet guide.

ATTENTION

Check that the pick roller is installed properly. Otherwise, it may cause feeding errors such as paper jams.

- 9 Close the ADF.

For details, refer to ["1.4 Opening/Closing the ADF"](#) (page 17).



Be careful not to have your fingers caught when the ADF closes.

- 10 Reset the roller set counter.

Start the Software Operation Panel and reset the counter. For details, refer to ["Resetting the sheet counters"](#) (page 95).

Chapter 7 Troubleshooting

This chapter explains about the countermeasures against paper jams and other troubles, items to check before contacting your scanner service provider, and how to read the product labels on the scanner.

ATTENTION

For details about errors/troubles not mentioned in this chapter, refer to the scanner driver's Help.

7.1 Paper Jam	61
7.2 Error Indications on Operator Panel	63
7.3 Troubleshooting Problems	66
7.4 Before You Contact the Scanner Service Provider	80
7.5 Checking the Product Labels	82

7.1 Paper Jam

When your document is jammed inside the scanner, remove the document in the following procedure.



- Do not use force to pull out the jammed document. Open the ADF to remove the document.
- Be careful not to touch any sharp parts when removing jammed documents. Doing so may result in injury.
- Be careful not to get your accessories (e.g. ties, necklaces) or hair caught inside the scanner.
- The inside of the ADF may become extremely hot during operation.

1 Remove all documents from the ADF paper chute (feeder).

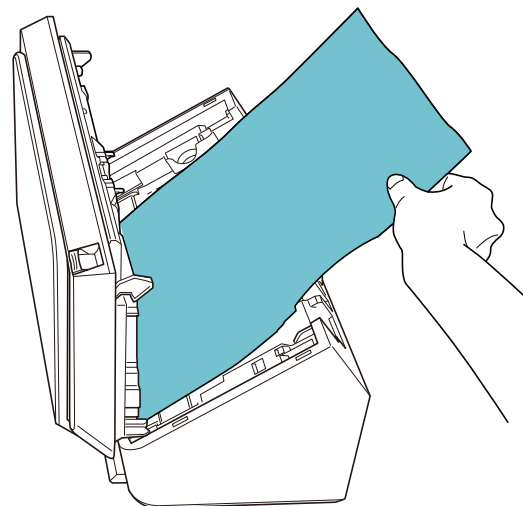
2 Open the ADF.

For details, refer to "[1.4 Opening/Closing the ADF](#)" (page 17).



Be careful not to have your fingers caught when the ADF closes.

3 Remove the jammed document.



ATTENTION

- Make sure to check the documents and the paper path thoroughly and remove all staples and paper clips as they cause paper jams.
- Be careful not to damage the glass surface and the guides when removing documents with staples or paper clips.

[TOP](#)[Contents](#)[Index](#)[Introduction](#)[Scanner Overview](#)[How to Load Documents](#)[How to Use the Operator Panel](#)[Various Ways to Scan](#)[Daily Care](#)[Replacing the Consumables](#)[Troubleshooting](#)[Operational Settings](#)[Appendix](#)[Glossary](#)

4 Close the ADF.

For details, refer to ["1.4 Opening/Closing the ADF" \(page 17\)](#).



Be careful not to have your fingers caught when the ADF closes.

ATTENTION

- Check that the ADF is closed properly. Otherwise, the document may not be scanned properly.
- When scanning is complete or canceled, documents may remain in the ADF without any error message displayed. In that case, remove the documents by following the above steps [1](#) to [4](#).

TOP

Contents

Index

Introduction

Scanner
Overview

How to Load
Documents

How to Use the
Operator Panel

Various Ways to
Scan

Daily Care

Replacing the
Consumables

Troubleshooting

Operational
Settings

Appendix

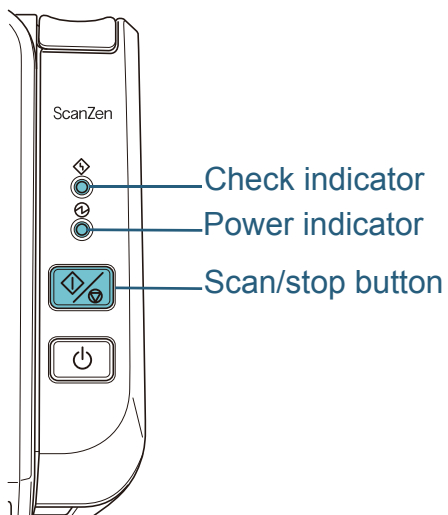
Glossary

7.2 Error Indications on Operator Panel

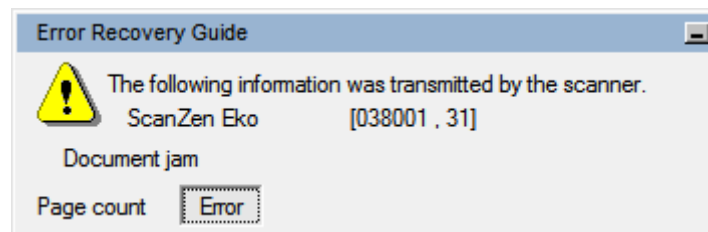
When an error occurs during scanning, the operator panel indicators turn on as shown below.

- Temporary errors
The check indicator turns on.
The power indicator stays on.
- Device errors
The check indicator flashes.
The power indicator stays on.

Temporary errors can be recovered by the user, whereas device errors require a service engineer to perform recovery.



If the Error Recovery Guide is installed in your computer, the Error Recovery Guide window appears when the Windows operating system is started up. When an error occurs, the Error Recovery Guide window displays related information such as the name of the error and the error code (number).



TOP

Contents

Index

Introduction

Scanner
OverviewHow to Load
DocumentsHow to Use the
Operator PanelVarious Ways to
Scan

Daily Care

Replacing the
Consumables

Troubleshooting

Operational
Settings

Appendix

Glossary

Temporary Errors

The following are lists of temporary errors which can be recovered by the user.

When a temporary error occurs, the check indicator turns on.

Item	Resolution
Paper jam	<ol style="list-style-type: none">1 Remove the jammed document. For details, refer to "7.1 Paper Jam" (page 61).2 Check if the document is suitable for scanning with the ADF. For details, refer to "2.2 Documents for Scanning" (page 29).
Multifeed	When you press the scan/stop button on the operator panel, the documents are ejected.
Cover open (ADF)	Close the ADF and reload the documents.

[TOP](#)[Contents](#)[Index](#)[Introduction](#)[Scanner
Overview](#)[How to Load
Documents](#)[How to Use the
Operator Panel](#)[Various Ways to
Scan](#)[Daily Care](#)[Replacing the
Consumables](#)[Troubleshooting](#)[Operational
Settings](#)[Appendix](#)[Glossary](#)

Device Errors

The following are lists of device errors which require troubleshooting by a service engineer.

Check indicator	Power indicator	Item	Resolution
Flashes 2 times	On	Optical error (ADF Front)	1 Clean the glass section. For details, refer to " Chapter 5 Daily Care " (page 46).
Flashes 3 times	On	Optical error (ADF Back)	2 Turn the scanner off then back on. If the problem persists, write down the status of the indicators and contact the distributor/dealer where you purchased this product. Or, make an inquiry by referring to the Welcome to ScanZen Card bundled with this product.
Flashes (continual)	On	Other error	Turn the scanner off then back on. If the problem persists, write down the status of the indicators and contact the distributor/dealer where you purchased this product. Or, make an inquiry by referring to the Welcome to ScanZen Card bundled with this product.

TOP

Contents

Index

Introduction

Scanner
OverviewHow to Load
DocumentsHow to Use the
Operator PanelVarious Ways to
Scan

Daily Care

Replacing the
Consumables

Troubleshooting

Operational
Settings

Appendix

Glossary

7.3 Troubleshooting Problems

This section describes the resolutions for troubles that may occur while using the scanner. Please check the following items before you request a repair. If the problem persists, check each item in ["7.4 Before You Contact the Scanner Service Provider" \(page 80\)](#), and then contact the distributor/ dealer where you purchased this product. Or, make an inquiry by referring to the Welcome to ScanZen Card bundled with this product.

The following are some examples of troubles that you may experience.

Symptoms
"Scanner cannot be powered ON." (page 67)
"Scanning does not start." (page 68)
"The image quality of pictures/photos is poor or dirty." (page 69)
"Quality of scanned text or lines is unsatisfactory." (page 70)
"Images are distorted or not clear." (page 71)
"Vertical streaks appear on the scanned image." (page 72)
"The check indicator on the operator panel flashes." (page 73)
"Multifeed error occurs frequently." (page 74)
"Situation in which the document is not fed into the ADF occurs frequently." (page 75)
"Paper jams/pick errors occur frequently." (page 76)
"Scanned images turn out elongated." (page 77)

Symptoms
"A shadow appears at the top or the bottom of the scanned image." (page 78)
"There are black traces on the document." (page 79)

TOP

Contents

Index

Introduction

Scanner
OverviewHow to Load
DocumentsHow to Use the
Operator PanelVarious Ways to
Scan

Daily Care

Replacing the
Consumables

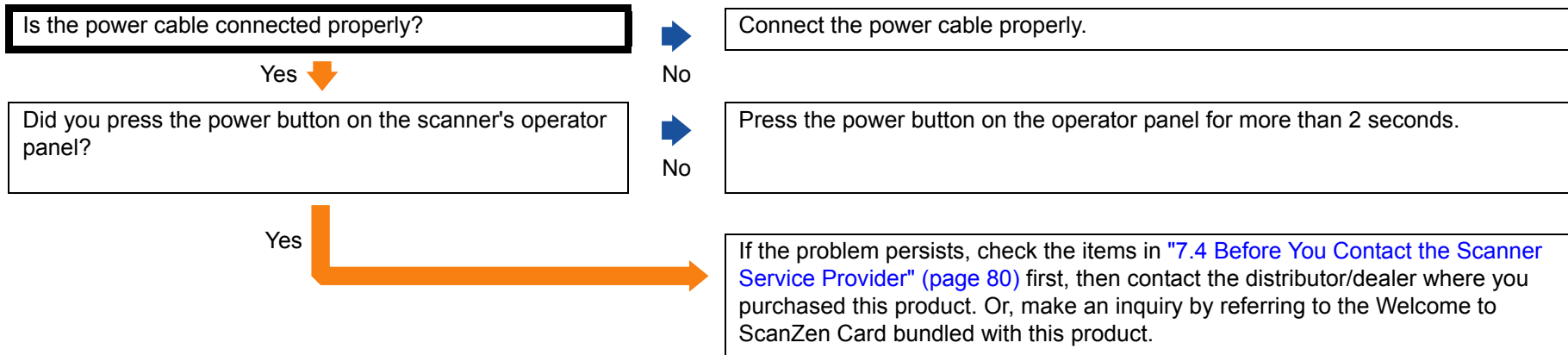
Troubleshooting

Operational
Settings

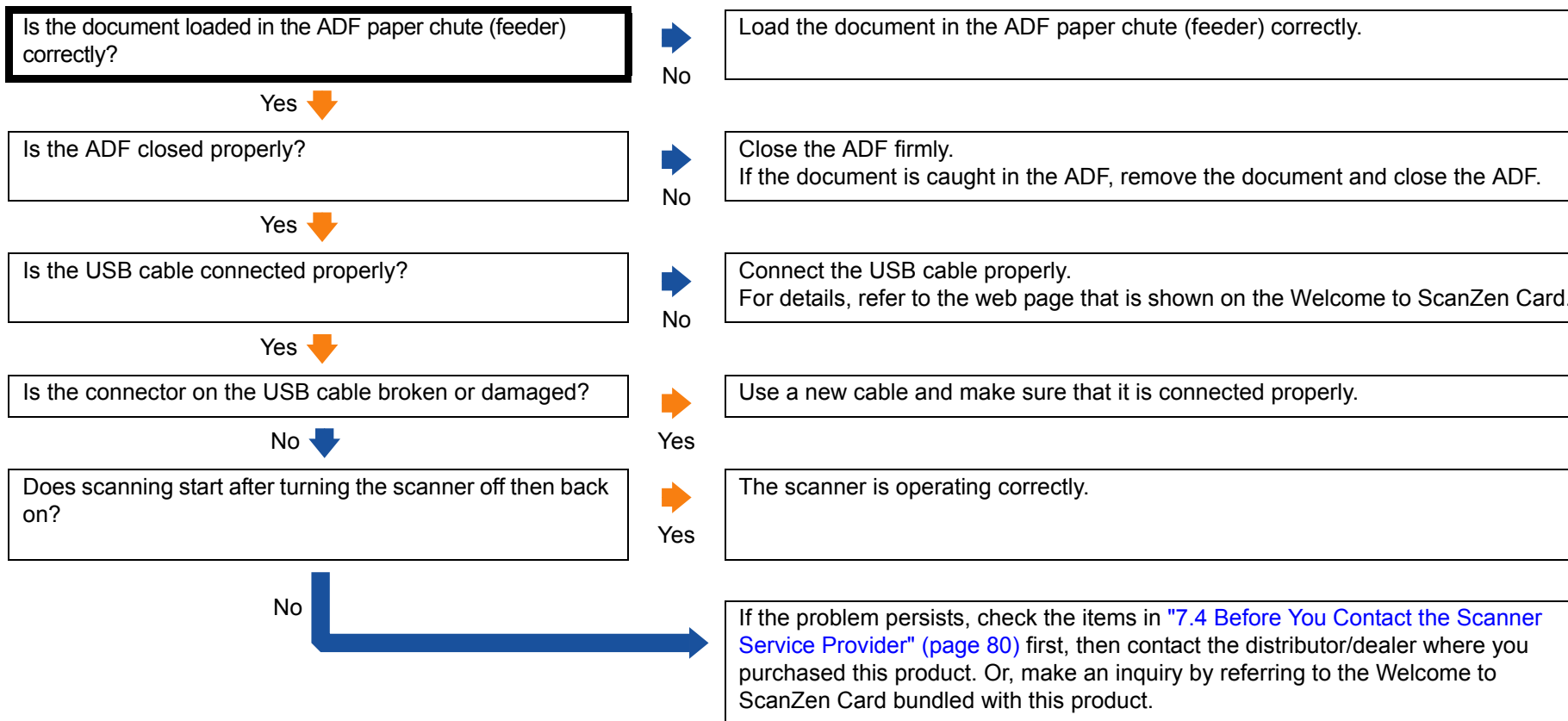
Appendix

Glossary

Scanner cannot be powered ON.

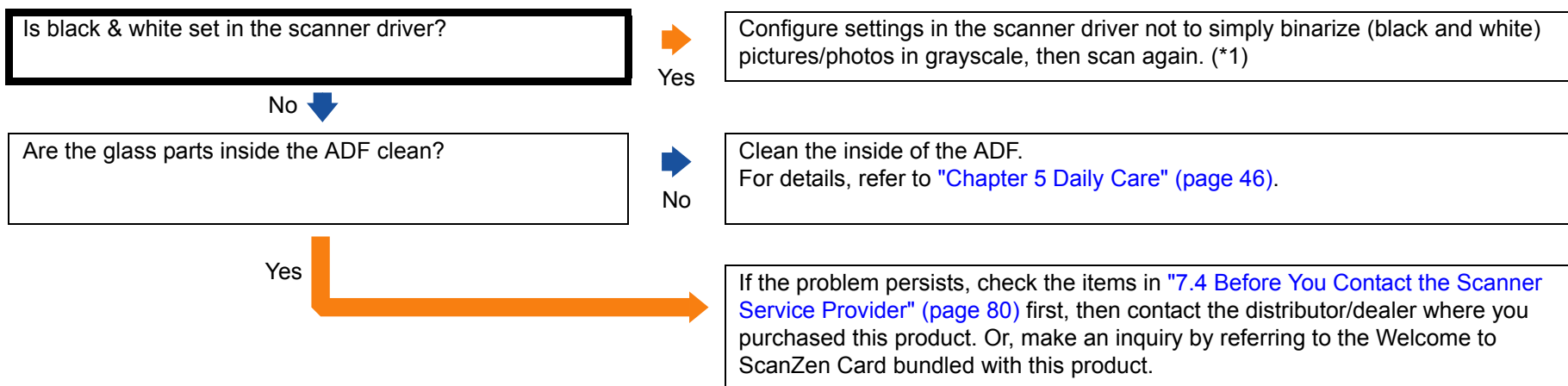


Scanning does not start.



- TOP
- Contents
- Index
- Introduction
- Scanner Overview
- How to Load Documents
- How to Use the Operator Panel
- Various Ways to Scan
- Daily Care
- Replacing the Consumables
- Troubleshooting**
- Operational Settings
- Appendix
- Glossary

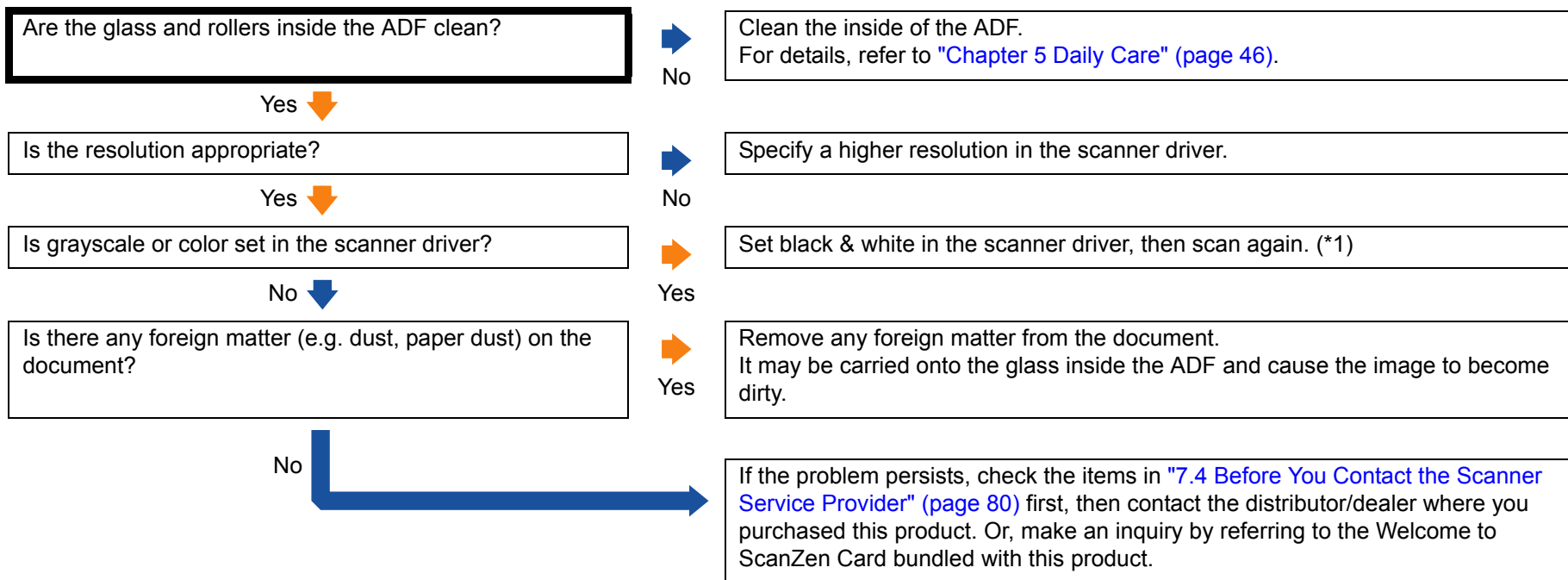
The image quality of pictures/photos is poor or dirty.



*1: Scanned images may significantly differ from the original if you scan pictures or photos in black & white.

- TOP
- Contents
- Index
- Introduction
- Scanner Overview
- How to Load Documents
- How to Use the Operator Panel
- Various Ways to Scan
- Daily Care
- Replacing the Consumables
- Troubleshooting**
- Operational Settings
- Appendix
- Glossary

Quality of scanned text or lines is unsatisfactory.



*1: When scanning in grayscale or color, the scanned image may not become sharp and clear.

- TOP
- Contents
- Index
- Introduction
- Scanner Overview
- How to Load Documents
- How to Use the Operator Panel
- Various Ways to Scan
- Daily Care
- Replacing the Consumables
- Troubleshooting
- Operational Settings
- Appendix
- Glossary

Images are distorted or not clear.

Are the glass parts and rollers inside the ADF clean?

Yes 



No

Clean the inside of the ADF.
For details, refer to "[Chapter 5 Daily Care](#)" (page 46).

Is the ADF being pushed down during scanning? Is there a heavy object on top of the ADF?

No 



Yes

Do not push down the top of the ADF or place any heavy objects on the ADF during scanning.

Is anything causing the scanner to vibrate during scanning?

No 



Yes

Do not allow the scanner to vibrate during scanning.

Is the scanner placed on a flat, level surface? Are the rubber pads attached on the bottom of the scanner?

Yes



No

Either place the scanner on a flat and level surface or attach the rubber pads on the bottom of the scanner.



If the problem persists, check the items in "[7.4 Before You Contact the Scanner Service Provider](#)" (page 80) first, then contact the distributor/dealer where you purchased this product. Or, make an inquiry by referring to the Welcome to ScanZen Card bundled with this product.

TOP

Contents

Index

Introduction

Scanner
Overview

How to Load
Documents

How to Use the
Operator Panel

Various Ways to
Scan

Daily Care

Replacing the
Consumables

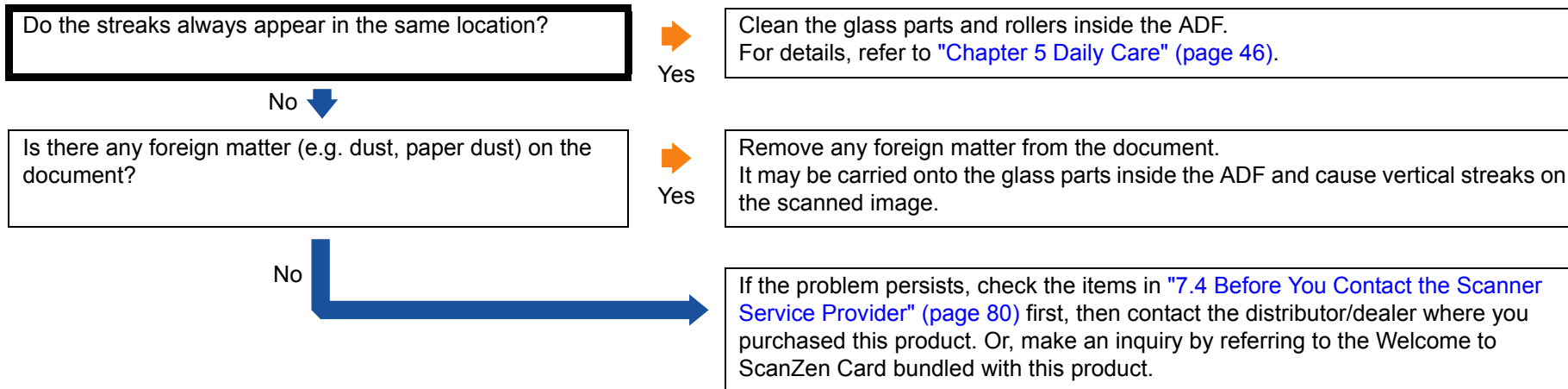
Troubleshooting

Operational
Settings

Appendix

Glossary

Vertical streaks appear on the scanned image.



- TOP
- Contents
- Index
- Introduction
- Scanner Overview
- How to Load Documents
- How to Use the Operator Panel
- Various Ways to Scan
- Daily Care
- Replacing the Consumables
- Troubleshooting**
- Operational Settings
- Appendix
- Glossary

The check indicator on the operator panel flashes.

Does the check indicator on the operator panel flash 2 times or 3 times?

No ↓

Is multifeed detection enabled in the scanner driver?

Yes ↓

Does scanning start after removing the documents and turning the scanner off then back on?

No

Yes

An optical error occurs.
Clean the glass section inside the ADF and turn the scanner off then back on.
If the problem persists, check the items in ["7.4 Before You Contact the Scanner Service Provider" \(page 80\)](#) first, then contact the distributor/dealer where you purchased this product. Or, make an inquiry by referring to the Welcome to ScanZen Card bundled with this product.

No

Turn the scanner off then back on.
If the problem persists, check the items in ["7.4 Before You Contact the Scanner Service Provider" \(page 80\)](#) first, then contact the distributor/dealer where you purchased this product. Or, make an inquiry by referring to the Welcome to ScanZen Card bundled with this product.

Yes

The scanner is operating correctly.
Documents may have been inside the paper path when the scanner was turned on.

Turn the scanner off then back on.
If the problem persists, check the items in ["7.4 Before You Contact the Scanner Service Provider" \(page 80\)](#) first, then contact the distributor/dealer where you purchased this product. Or, make an inquiry by referring to the Welcome to ScanZen Card bundled with this product.

TOP

Contents

Index

Introduction

Scanner
OverviewHow to Load
DocumentsHow to Use the
Operator PanelVarious Ways to
Scan

Daily Care

Replacing the
Consumables

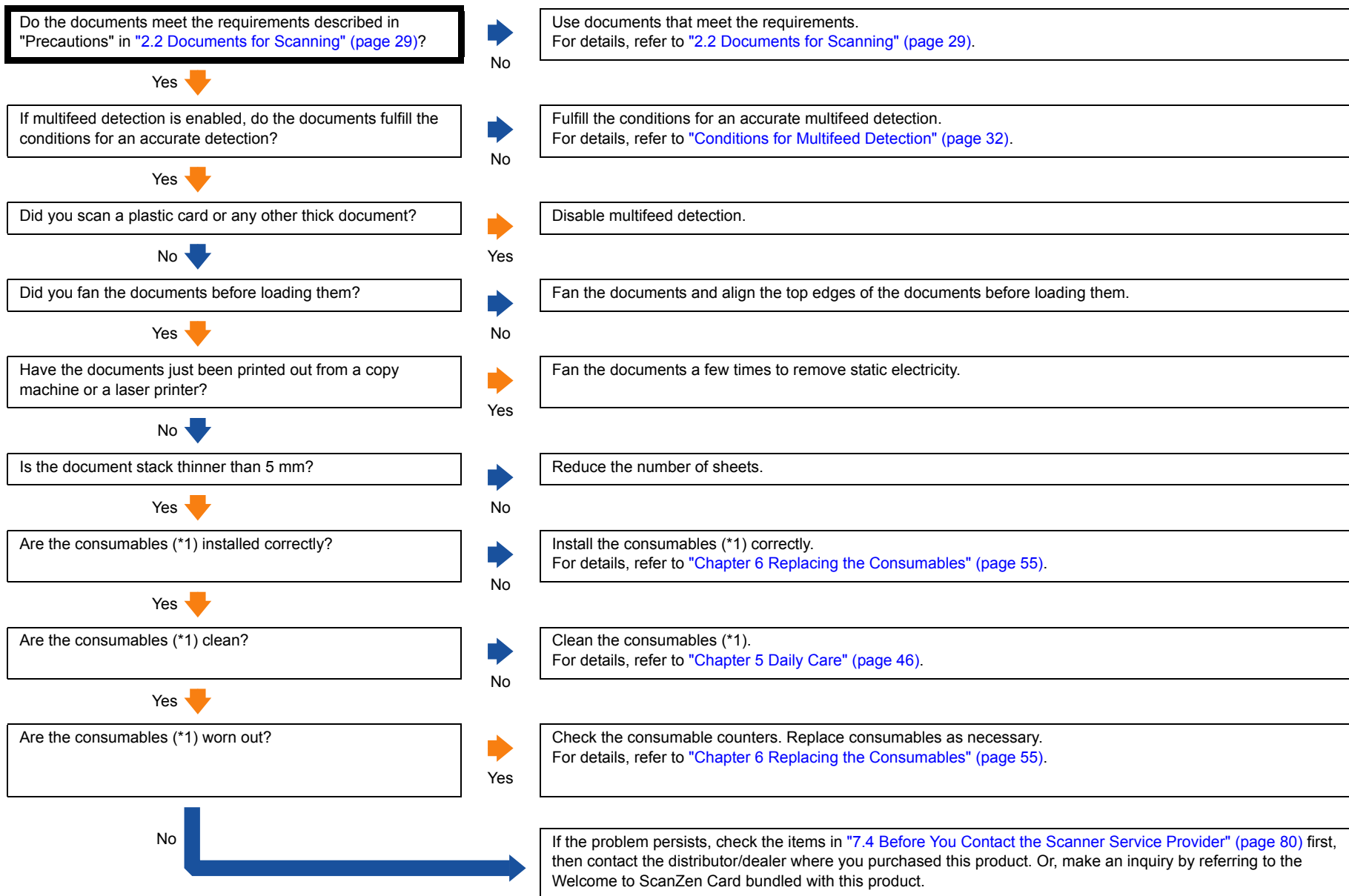
Troubleshooting

Operational
Settings

Appendix

Glossary

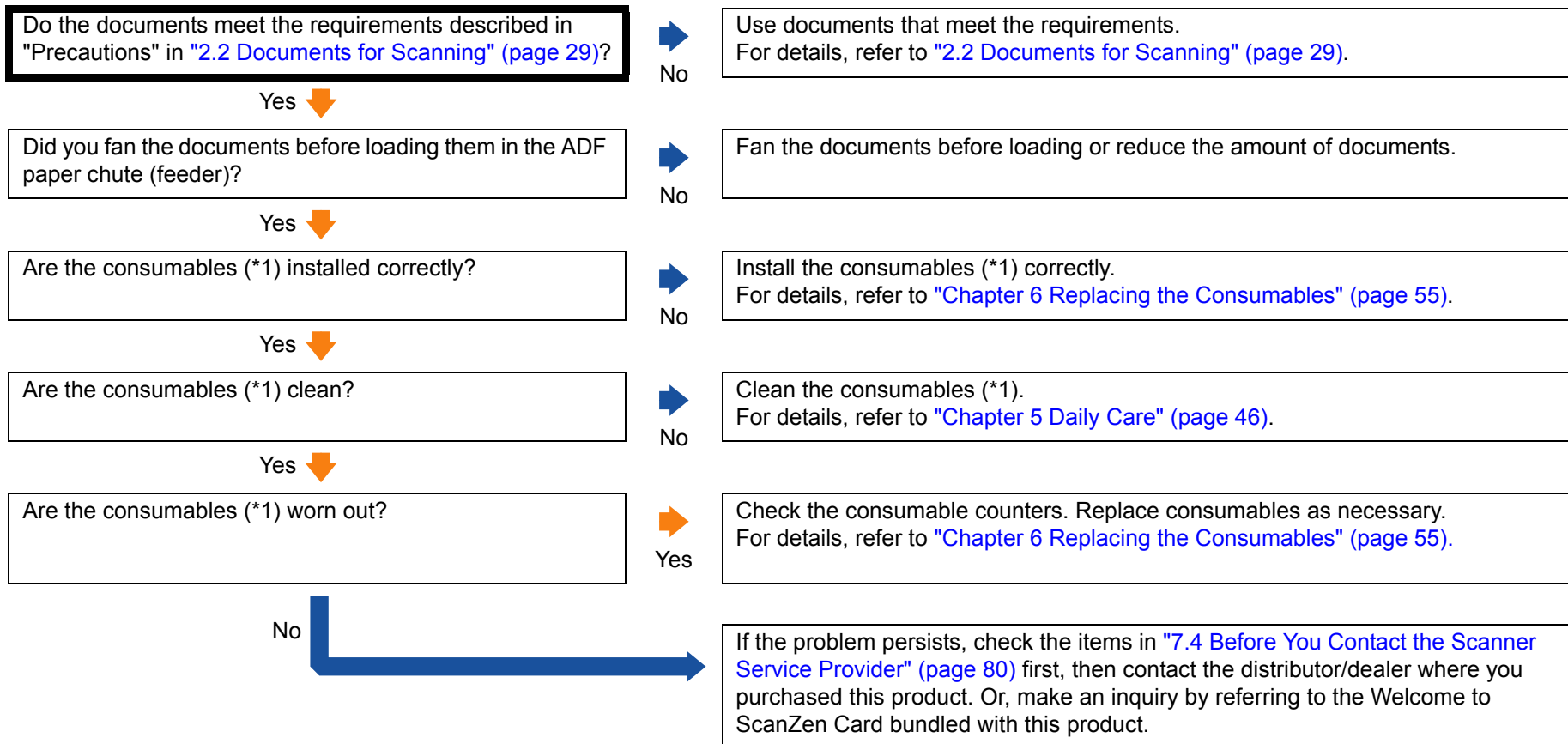
Multifeed error occurs frequently.



*1: "Consumables" refers to the roller set.

- TOP
- Contents
- Index
- Introduction
- Scanner Overview
- How to Load Documents
- How to Use the Operator Panel
- Various Ways to Scan
- Daily Care
- Replacing the Consumables
- Troubleshooting**
- Operational Settings
- Appendix
- Glossary

Situation in which the document is not fed into the ADF occurs frequently.



*1: "Consumables" refers to the roller set.

TOP

Contents

Index

Introduction

Scanner
OverviewHow to Load
DocumentsHow to Use the
Operator PanelVarious Ways to
Scan

Daily Care

Replacing the
Consumables

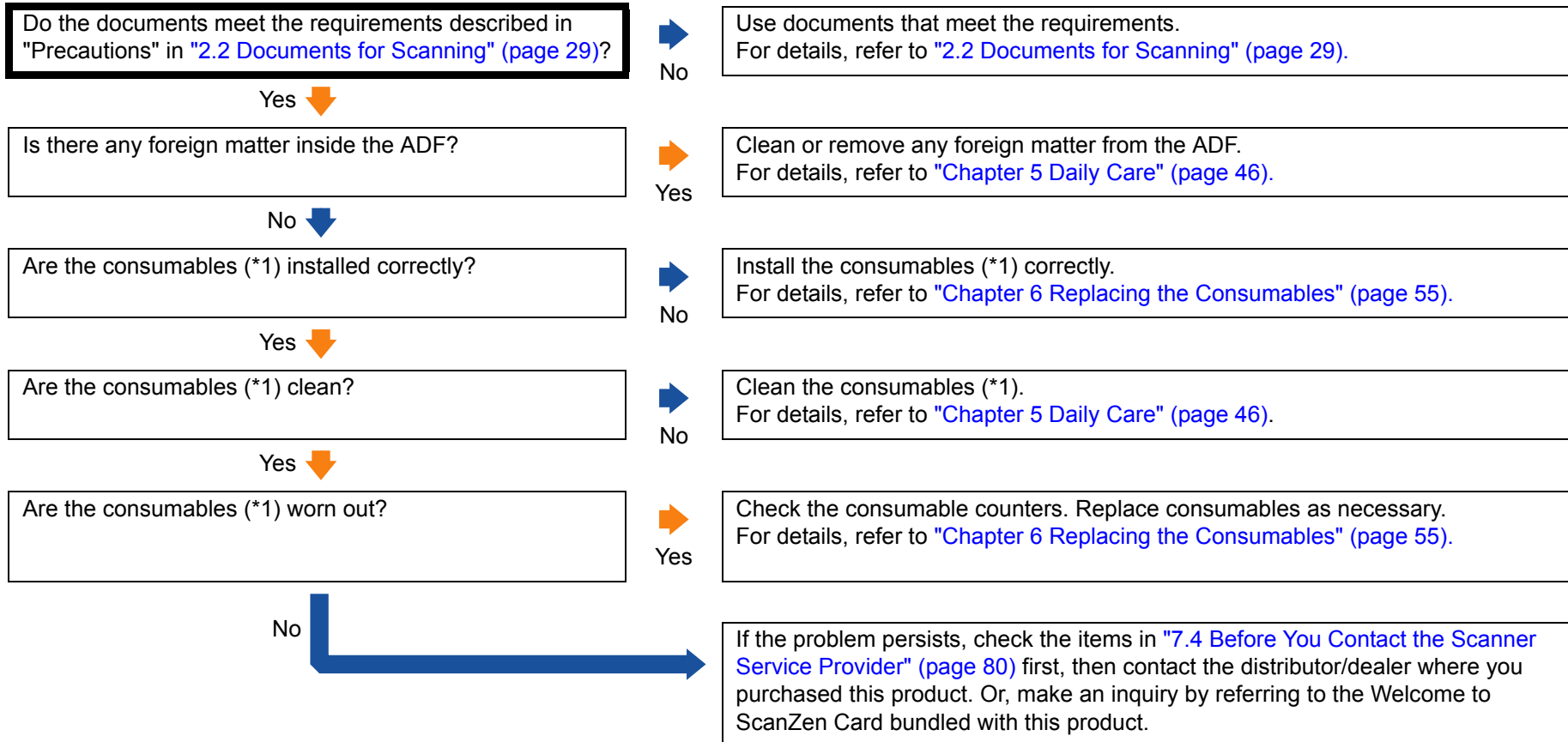
Troubleshooting

Operational
Settings

Appendix

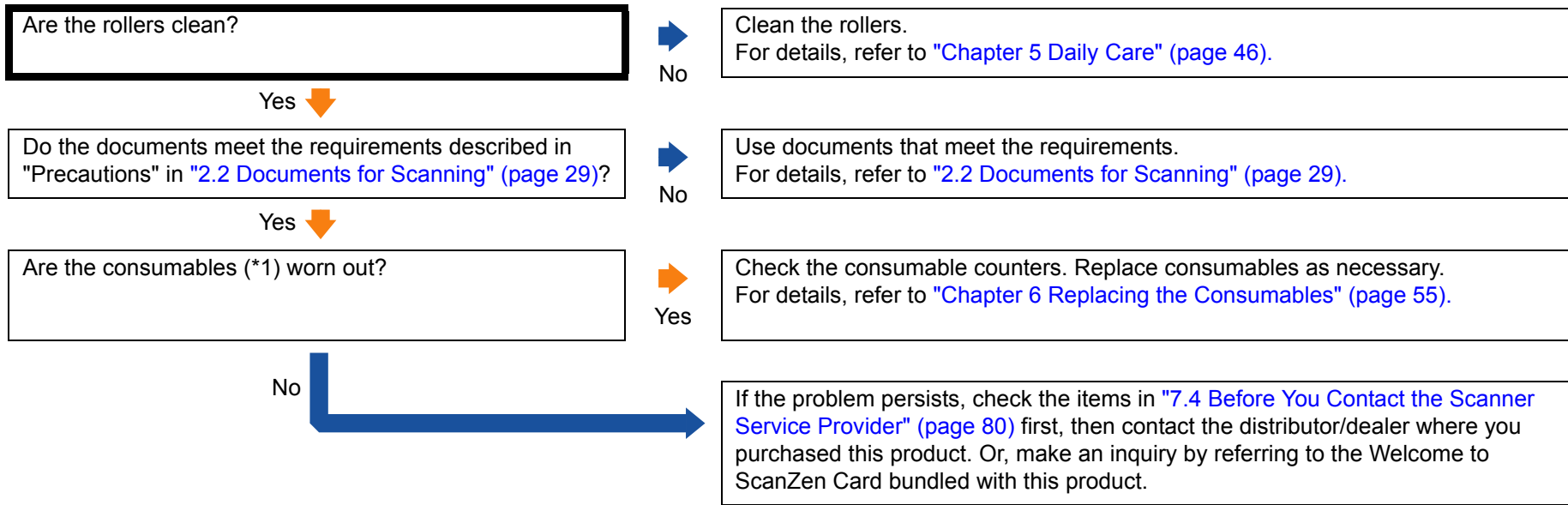
Glossary

Paper jams/pick errors occur frequently.



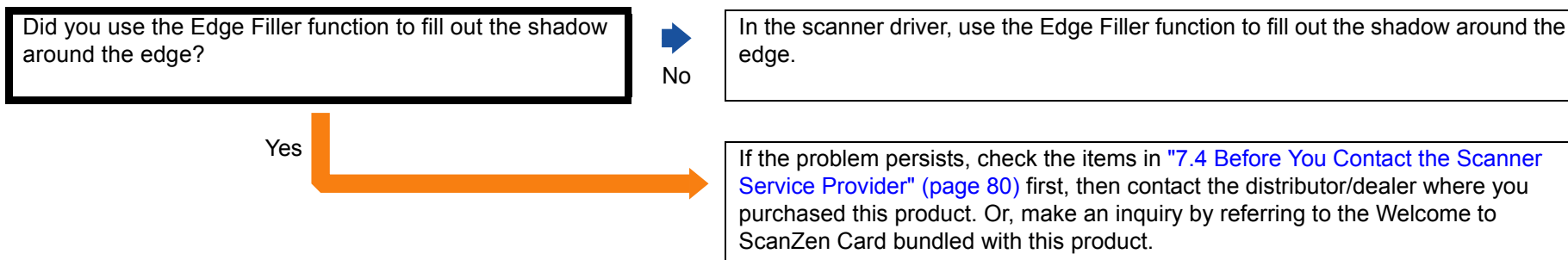
*1: "Consumables" refers to the roller set.

Scanned images turn out elongated.

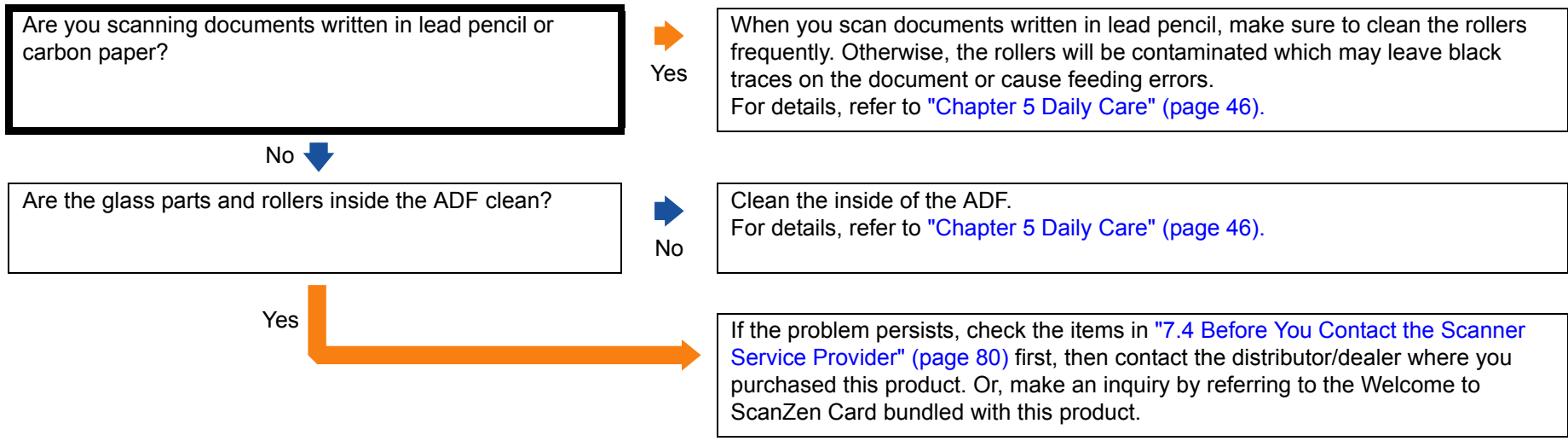


*1: "Consumables" refers to the roller set.

A shadow appears at the top or the bottom of the scanned image.



There are black traces on the document.



- TOP
- Contents
- Index
- Introduction
- Scanner Overview
- How to Load Documents
- How to Use the Operator Panel
- Various Ways to Scan
- Daily Care
- Replacing the Consumables
- Troubleshooting
- Operational Settings
- Appendix
- Glossary

7.4 Before You Contact the Scanner Service Provider

Please check the following items before contacting the distributor/dealer where you purchased this product or making an inquiry by referring to the Welcome to ScanZen Card bundled with this product.

General

Item	Findings
Scanner model name	Example: ScanZen Eko For details, refer to "7.5 Checking the Product Labels" (page 82) .
Serial No.	Example: XXXX000001 For details, refer to "7.5 Checking the Product Labels" (page 82) .
Date of manufacture	Example: 2017-08 (August 2017) For details, refer to "7.5 Checking the Product Labels" (page 82) .
Date of purchase	
Symptom	
Frequency of trouble	
Warranty	

Error Status

■ Computer connection issues

Item	Findings
Operating system (Windows)	
Error message	
Interface	Example: USB interface
Interface controller	

■ Feeding issues

Item	Findings
Paper type	
Main purpose of use	
Date of last cleaning	
Date of consumable replacement	
Operator panel status	

■ Image quality issues

Item	Findings
Scanner driver and version	
Interface controller	
Operating system (Windows)	
Application	Example: PaperStream Capture Lite
Scanning side(s)	Example: front, both
Resolution	Example: 600 dpi, 75 dpi
Image mode	Example: color, grayscale, black & white

■ Other

Item	Findings
Can you send the output image and a photo that shows the paper condition by e-mail or fax?	

TOP

Contents

Index

Introduction

Scanner
OverviewHow to Load
DocumentsHow to Use the
Operator PanelVarious Ways to
Scan

Daily Care

Replacing the
Consumables

Troubleshooting

Operational
Settings

Appendix

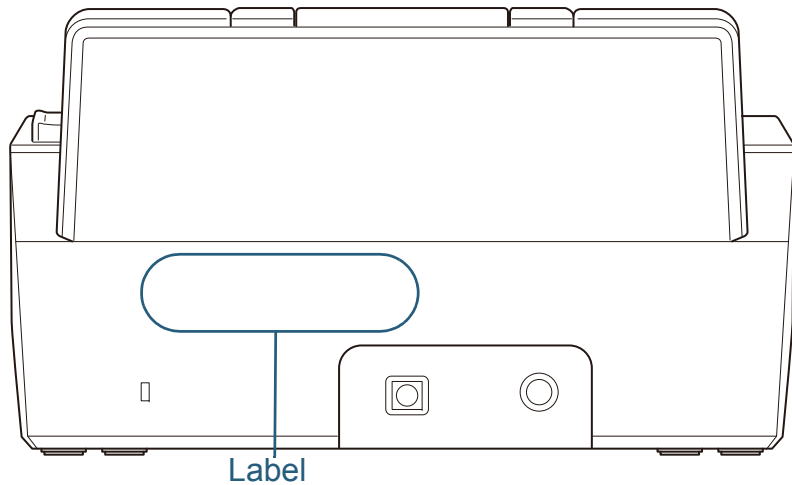
Glossary

7.5 Checking the Product Labels

This section explains about the product labels on the scanner.

Location

The location of the label is shown below.



Label example: Shows the scanner information.


[TOP](#)
[Contents](#)
[Index](#)
[Introduction](#)
[Scanner Overview](#)
[How to Load Documents](#)
[How to Use the Operator Panel](#)
[Various Ways to Scan](#)
[Daily Care](#)
[Replacing the Consumables](#)
[Troubleshooting](#)
[Operational Settings](#)
[Appendix](#)
[Glossary](#)

Chapter 8 Operational Settings

This chapter explains how to use the Software Operation Panel to configure the scanner settings.

8.1 Starting Up the Software Operation Panel.....	84
8.2 Password Setting for the Software Operation Panel	86
8.3 Configuration Items	92
8.4 Settings Related to Sheet Counters	94
8.5 Settings Related to Waiting Time	96

8.1 Starting Up the Software Operation Panel

The Software Operation Panel is installed together with the PaperStream IP driver.

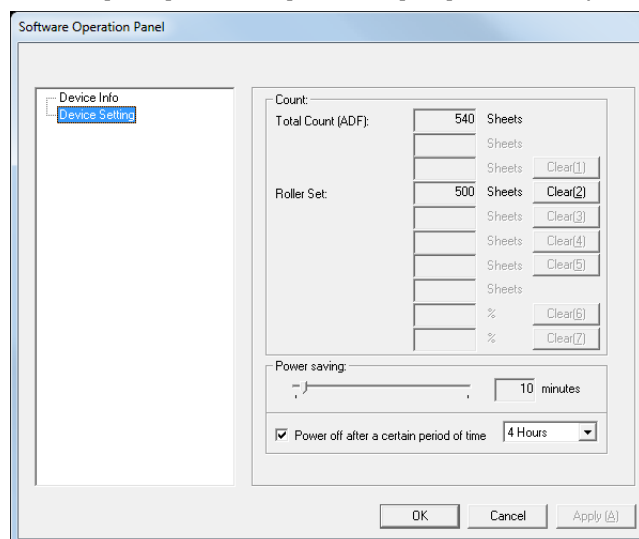
This application allows you to configure various settings such as the operation of the scanner and managing the consumables.

ATTENTION

- Do not use the operator panel while the Software Operation Panel is running.
- If you connect multiple scanners, only the first scanner will be recognized.
Connect only one scanner at a time.

- Check that the scanner is connected to the computer, then turn on the scanner.
For details about how to turn on the scanner, refer to "1.3 Turning the Power ON/OFF" (page 16).

- Display the [Software Operation Panel] window.
 - Windows 7
Select the [Start] menu → [All Programs] → [ScanZen] → [Software Operation Panel].
 - Windows 8.1
Select [↓] on the lower left side of the Start screen → [Software Operation Panel] under [ScanZen].
To display [↓], move the mouse cursor.
 - Windows 10
Click [Start] menu → [ScanZen] → [Software Operation Panel].



TOP

Contents

Index

Introduction

Scanner
OverviewHow to Load
DocumentsHow to Use the
Operator PanelVarious Ways to
Scan

Daily Care


Replacing the
Consumables

Troubleshooting

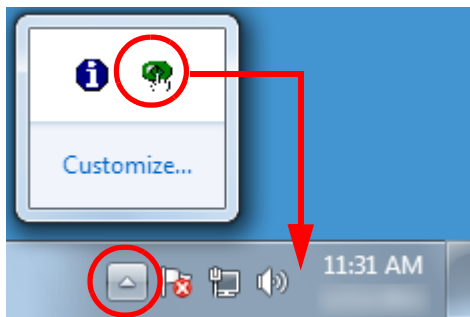
Operational
Settings

Appendix

Glossary

⇒ The Software Operation Panel icon is displayed in the menu that appears when you click  in the notification area.

To have the Software Operation Panel icon always displayed in the notification area, drag the icon and drop it onto the notification area. The notification area is located at the far right of the taskbar.



Procedures from here will be explained under the assumption that the Software Operation Panel is always displayed in the notification area.

[TOP](#)[Contents](#)[Index](#)[Introduction](#)[Scanner
Overview](#)[How to Load
Documents](#)[How to Use the
Operator Panel](#)[Various Ways to
Scan](#)[Daily Care](#)[Replacing the
Consumables](#)[Troubleshooting](#)[Operational
Settings](#)[Appendix](#)[Glossary](#)

8.2 Password Setting for the Software Operation Panel

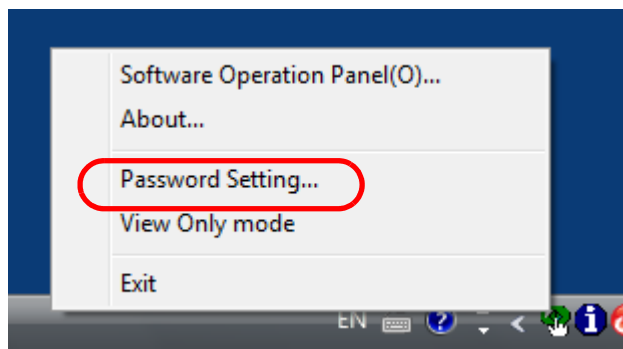
By setting a password, the Software Operation Panel can run in [View Only mode] which allows users to only view the scanner settings.

The scanner settings can be changed if no password is set. In order to prevent unnecessary changes to the settings, a password can be used to restrict user operations.

Setting a Password

Set a password in the following procedure.

- 1 Right-click the Software Operation Panel icon in the notification area, and select [Password Setting] from the menu.

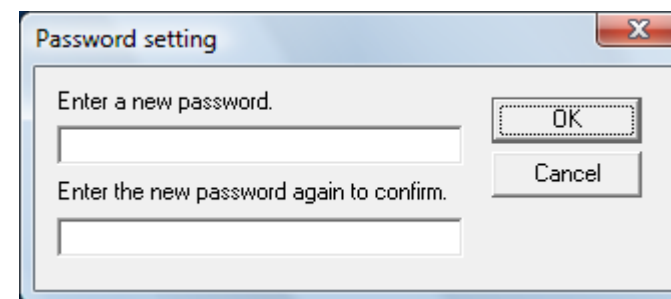


⇒ The [Password setting] dialog box appears.

- 2 Enter a new password then again to confirm, and click the [OK] button.

Up to 32 characters can be used for the password.

Note that only alphanumeric characters (a to z, A to Z, 0 to 9) are allowed.



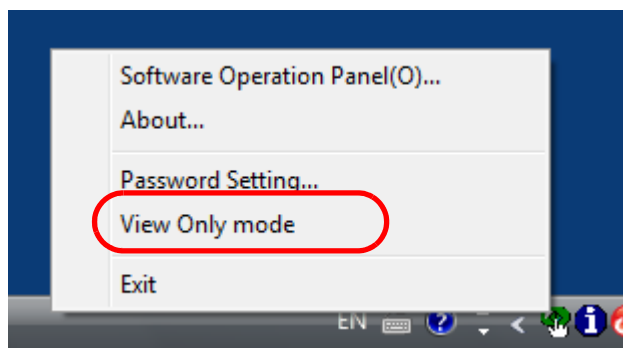
⇒ A confirmation message appears.

- 3 Click the [OK] button.
- ⇒ The password is set.

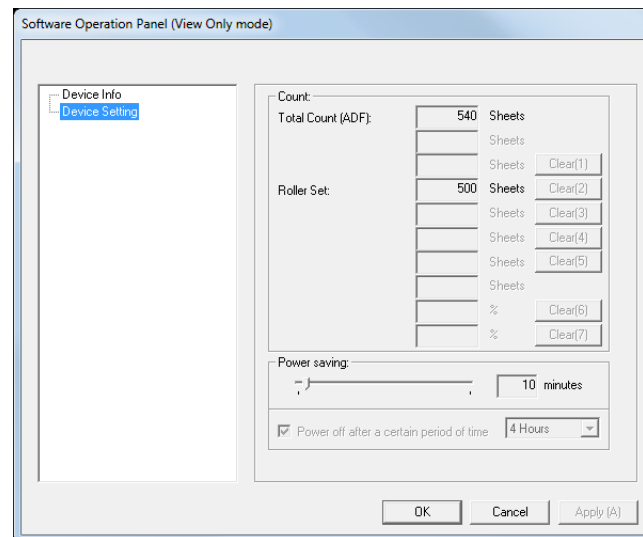
Setting [View Only mode]

Set the Software Operation Panel to [View Only mode] in the following procedure.

- 1 Set a password.
For details, refer to "Setting a Password" (page 86).
- 2 Right-click the Software Operation Panel icon in the notification area, and select [View Only mode] from the menu.

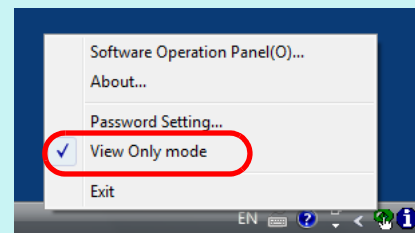


⇒ The Software Operation Panel enters the [View Only mode].



HINT

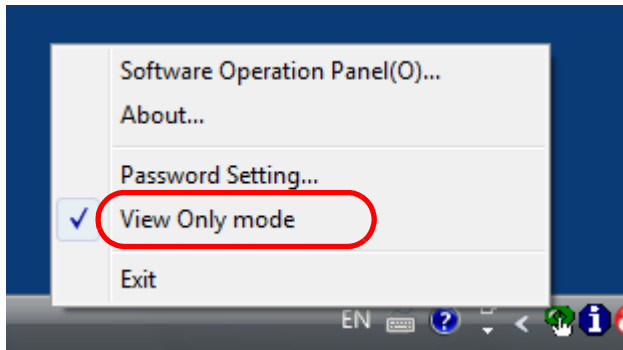
In [View Only mode], a check mark appears next to [View Only mode] in the menu that is displayed by right-clicking the Software Operation Panel icon in the notification area.



Clearing [View Only mode]

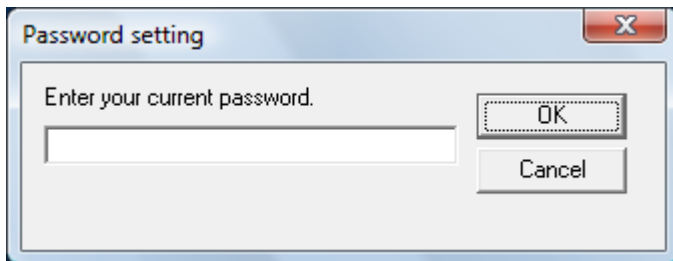
Clear [View Only mode] in the following procedure.

- 1 Right-click the Software Operation Panel icon in the notification area, and select [View Only mode] from the menu.

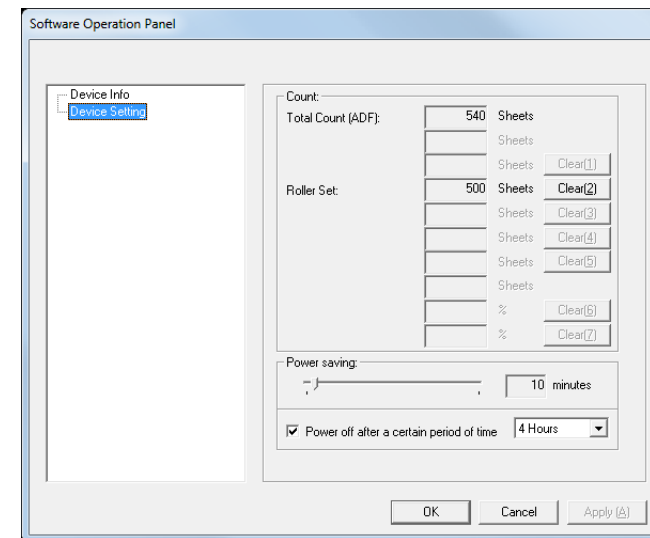


⇒ The [Password setting] dialog box appears.

- 2 Enter the current password and click the [OK] button.

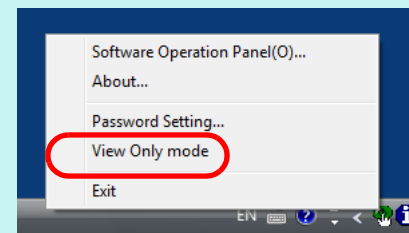


⇒ [View Only mode] is cleared, and the scanner settings can now be changed.



HINT

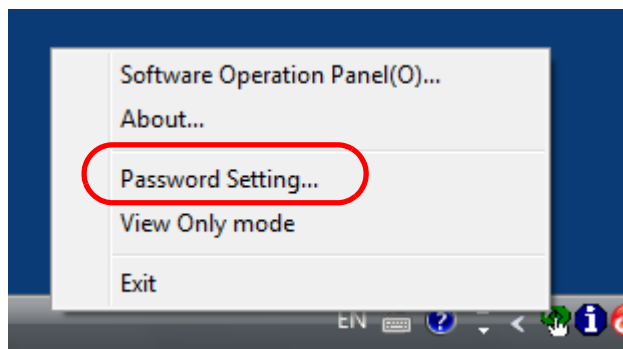
When you exit [View Only mode], the check mark next to [View Only mode] disappears from the menu that is displayed by right-clicking the Software Operation Panel icon in the notification area.



Changing the Password

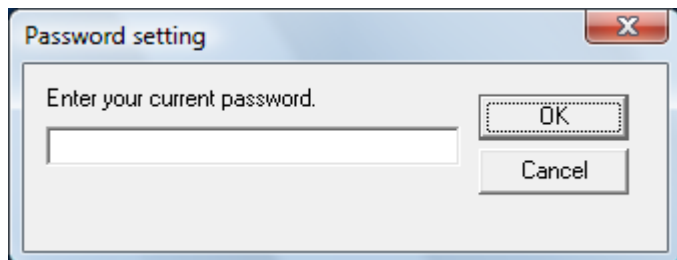
Change the password in the following procedure.

- 1 Right-click the Software Operation Panel icon in the notification area, and select [Password Setting] from the menu.



⇒ The [Password setting] dialog box appears.

- 2 Enter the current password and click the [OK] button.

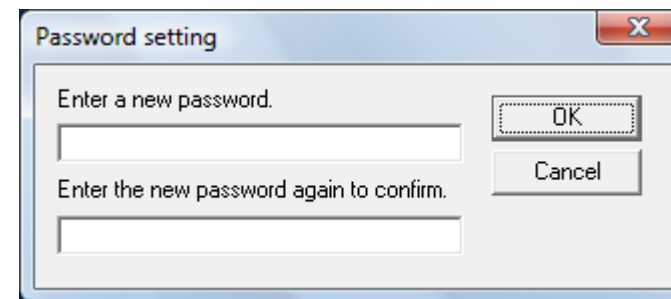


⇒ The [Password setting] dialog box appears.

- 3 Enter a new password then again to confirm, and click the [OK] button.

Up to 32 characters can be used for the password.

Note that only alphanumeric characters (a to z, A to Z, 0 to 9) are allowed.



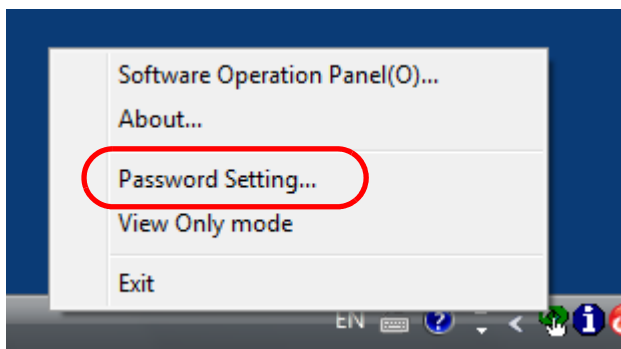
⇒ A confirmation message appears.

- 4 Click the [OK] button.
- ⇒ The password is set.

Clearing the Password

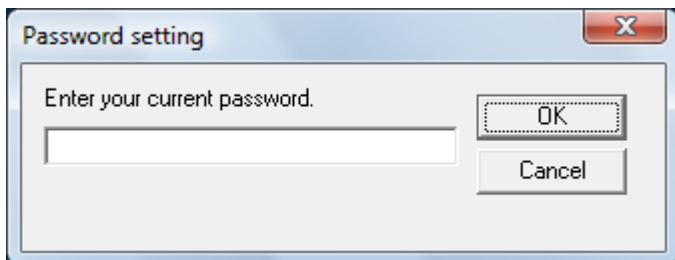
Clear the password in the following procedure.

- 1 Right-click the Software Operation Panel icon in the notification area, and select [Password Setting] from the menu.



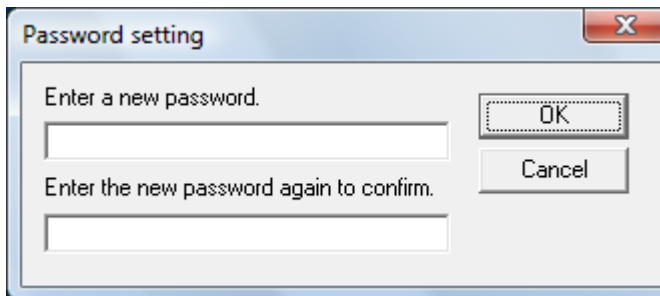
⇒ The [Password setting] dialog box appears.

- 2 Enter the current password and click the [OK] button.



⇒ The [Password setting] dialog box appears.

- 3 Leave both fields blank and click the [OK] button.



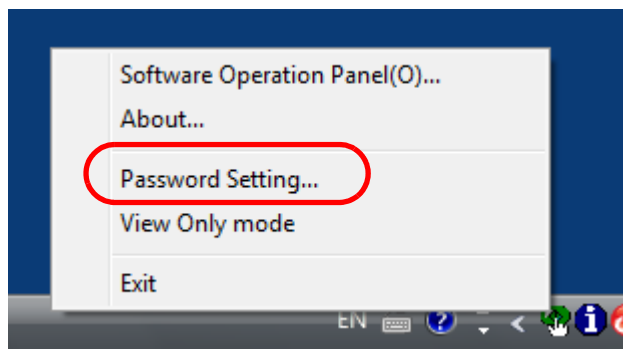
⇒ A confirmation message appears.

- 4 Click the [OK] button.
⇒ The password is cleared.

Resetting the Password

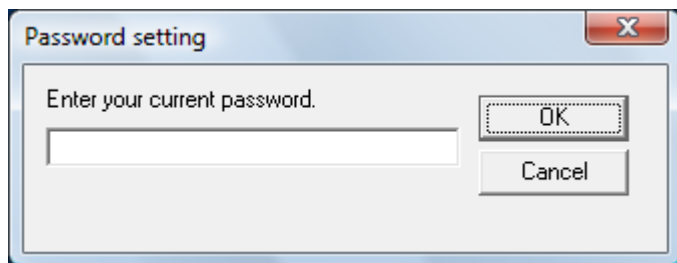
In case you forgot your password, it can be reset in the following procedure.

- 1 Right-click the Software Operation Panel icon in the notification area, and select [Password Setting] from the menu.



⇒ The [Password setting] dialog box appears.

- 2 Enter the default password which is "ScanZen", and click the [OK] button.

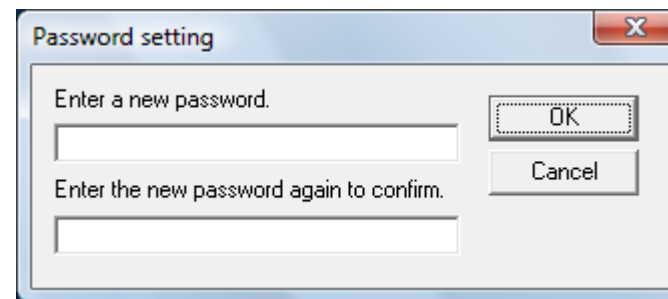


⇒ The [Password setting] dialog box appears.

- 3 Enter a new password then again to confirm, and click the [OK] button.

Up to 32 characters can be used for the password.

Note that only alphanumeric characters (a to z, A to Z, 0 to 9) are allowed.



⇒ A confirmation message appears.

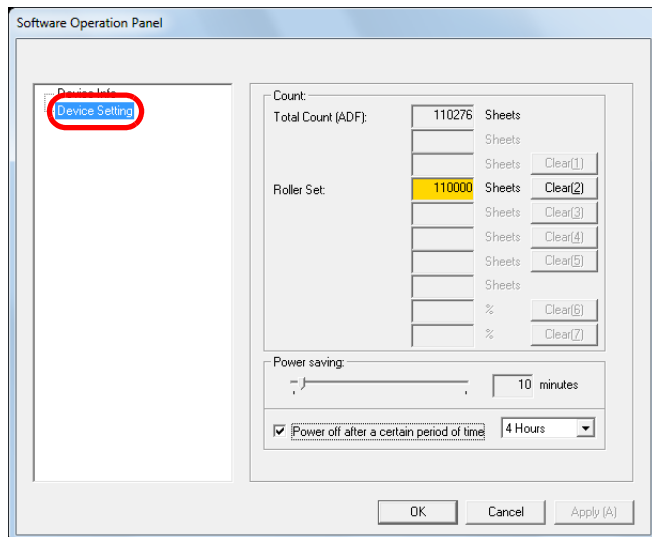
- 4 Click the [OK] button.
- ⇒ The password is set.

8.3 Configuration Items

The Software Operation Panel allows the configuration of the following settings for the scanner that is connected to the computer.

Device Setting

- 1 Start up the Software Operation Panel.
For details, refer to ["8.1 Starting Up the Software Operation Panel"](#) (page 84).
- 2 From the listing on the left, select [Device Setting].



Items that can be configured in the above dialog box are shown in the next page.

TOP

Contents

Index

Introduction

Scanner
OverviewHow to Load
DocumentsHow to Use the
Operator PanelVarious Ways to
Scan

Daily Care

Replacing the
Consumables

Troubleshooting

Operational
Settings

Appendix

Glossary

Item	Description	Parameter/Value	Factory Default
Count (page 94)	Check the counters to determine when to replace the consumables. Also use it to reset the counters after replacing the consumables.	Total Count (ADF)/Roller Set	0
Power saving (page 96)	Specify the waiting time before entering power saving mode.	Range: 5 to 235 min. (in increments of 5)	10 min.
	Power off after a certain period of time: Select to set the scanner to turn the power off automatically if the scanner is left on for a certain period of time without being used. Specify the timeout period for the scanner to be automatically turned off.	[Power off after a certain period of time] check box	Selected
		1 Hour/2 Hours/4 Hours/8 Hours (When the [Power off after a certain period of time] check box is selected)	4 Hours

- TOP
- Contents
- Index
- Introduction
- Scanner Overview
- How to Load Documents
- How to Use the Operator Panel
- Various Ways to Scan
- Daily Care
- Replacing the Consumables
- Troubleshooting
- Operational Settings**
- Appendix
- Glossary

8.4 Settings Related to Sheet Counters

Checking and Resetting the Sheet Counters

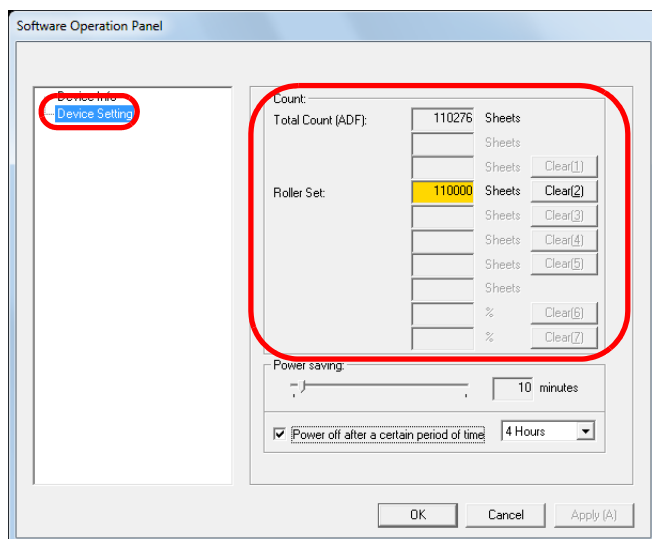
■ Checking the sheet counters

The status on each consumable part can be checked to determine when to replace the consumables.

When a consumable needs to be replaced soon, the background color of the counter for the consumable changes. The background color of the roller set counter turns light yellow when the number of sheets scanned reaches 95,000, and turns yellow when it reaches 100,000.

For details about replacement cycles, refer to "6.1 Consumables and Replacement Cycles" (page 56).

- 1 Start the Software Operation Panel.
For details, refer to "8.1 Starting Up the Software Operation Panel" (page 84).
- 2 From the listing on the left, select [Device Setting].



In this dialog box, you can check the following items:

Item	Description
Total Count (ADF)	Approximate total number of sheets scanned with the ADF
Roller Set	Approximate total number of sheets scanned after replacing the roller set The number increases in increments of 500 sheets.

ATTENTION

If the scanner was turned off by unplugging the power cable, the number of sheets may not be counted in [Total Count].

TOP

Contents

Index

Introduction

Scanner
OverviewHow to Load
DocumentsHow to Use the
Operator PanelVarious Ways to
Scan

Daily Care

Replacing the
Consumables

Troubleshooting

Operational
Settings

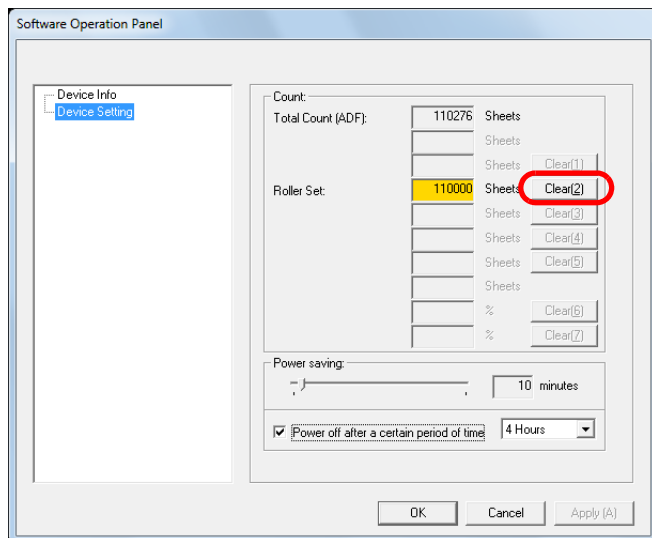
Appendix

Glossary

■ Resetting the sheet counters

When you have replaced or cleaned a consumable part, reset the corresponding counter by using the following procedure.

- 1 Click the [Clear] button for the consumable that you replaced.



⇒ The counter is reset to 0.

- 2 Click the [OK] button in the Software Operation Panel.

⇒ A confirmation message appears.

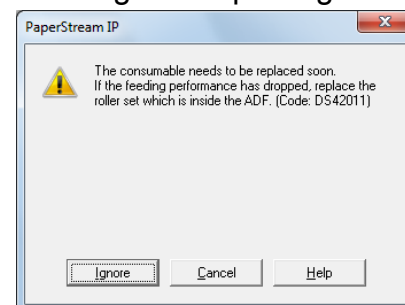
- 3 Click the [OK] button.

⇒ The settings are saved.

■ Message for replacing the consumables

The following message may appear while using the scanner.

Message for replacing consumables



Check the message and replace the consumable accordingly.

If you click the [Ignore] button, the message disappears and the scan can be continued. However, it is recommended that you replace the consumable as soon as possible.

To stop the scan and replace the consumable right away, click the [Cancel] button.

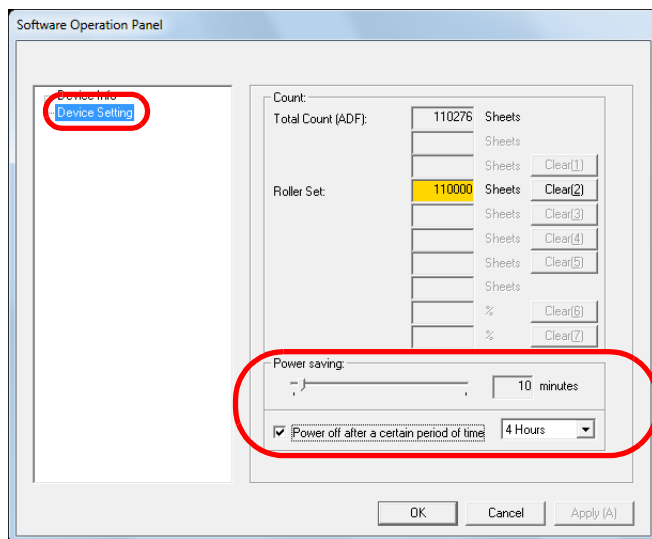
For details about replacing consumables, refer to ["6.2 Replacing the Roller Set"](#) (page 57).

8.5 Settings Related to Waiting Time

Waiting Time to Enter Power Saving Mode (Power saving)

The waiting time for the scanner to enter power saving mode can be specified.

- 1 Start the Software Operation Panel.
For details, refer to "8.1 Starting Up the Software Operation Panel" (page 84).
- 2 From the listing on the left, select [Device Setting].



- 3 Use the slider to specify the waiting time before entering power saving mode.

The value can range from 5 to 235 minutes (in increments of 5).

HINT

Selecting the [Power off after a certain period of time] check box turns the power off automatically if the scanner is left on for a certain period of time without being used.

You can select the timeout period for the scanner to be automatically turned off from 1 Hour/2 Hours/4 Hours/8 Hours.

TOP

Contents

Index

Introduction

Scanner
OverviewHow to Load
DocumentsHow to Use the
Operator PanelVarious Ways to
Scan

Daily Care

Replacing the
Consumables

Troubleshooting

Operational
Settings

Appendix

Glossary

Appendix

This appendix provides the following information.

A.1 Basic Specification	98
A.2 Installation Specifications	100
A.3 Outer Dimensions	101
A.4 Uninstalling the Software	102

[TOP](#)

[Contents](#)

[Index](#)

[Introduction](#)

[Scanner
Overview](#)

[How to Load
Documents](#)

[How to Use the
Operator Panel](#)

[Various Ways to
Scan](#)

[Daily Care](#)

[Replacing the
Consumables](#)

[Troubleshooting](#)

[Operational
Settings](#)

[Appendix](#)

[Glossary](#)

A.1 Basic Specification

Item		Specification		Notes
		ScanZen Eko	ScanZen Eko Plus	
Scanner type		ADF		-
Image sensor		Single line CMOS-CIS × 2 (front, back)		-
Light source		RGB-LED × 2 (front, back)		
Available paper size	Minimum (width × length)	52 × 74 (mm)/2.05 × 2.91 (in.)		-
	Maximum (width × length)	216 × 355.6 (mm)/8.5 × 14 (in.)		(*1)
Paper weight (document thickness)		50 to 209 g/m ² (13.4 to 56 lb) 127 to 209 g/m ² (34 to 56 lb) for A8 size 0.76 mm or less for plastic cards (Embossed cards allowed (ISO7810 ID-1 type compliant))		
Scanning speed (A4 portrait) (*2)	Binary (black & white)	Simplex: 20 ppm Duplex: 40 ipm	Simplex: 30 ppm Duplex: 60 ipm	300 dpi
	Grayscale			
	Color			
Loading capacity (*3)		50 sheets		Paper weight: 80 g/m ² (20 lb) Total thickness: 5 mm or less
Optical resolution		600 dpi		-

Item		Specification		Notes
		ScanZen Eko	ScanZen Eko Plus	
Output resolution	Binary (black & white)	50 to 600 dpi, 1200 dpi		Can be set in increments of 1 between 50 and 600 dpi. 1200 dpi can be set from the scanner driver.
	Grayscale			
	Color			
Grayscale level		8-bit for each color		For internal processing, 16-bit for each color
Interface		USB 2.0/1.1 (*4)		Type B
Other		Hardware real-time JPEG compression		-

*1: Long page scanning supports documents with a length up to 3,048 mm (120 in.).

To scan documents longer than 863 mm (34 in.), set the resolution to 200 dpi or lower.

*2: Note that this is the hardware limitation, and the software's processing time such as data transfer time is added to the actual time of scanning.

*3: The capacity varies depending on the paper weight. For details, refer to ["2.2 Documents for Scanning" \(page 29\)](#).

*4: Use the included USB cable.

When connecting to a USB hub, be sure to use a USB hub that is connected to a USB port on the computer.

Connection with USB 2.0 requires the USB port and the hub to support USB 2.0. Also note that the scanning speed slows down when using USB 1.1.

Connect the USB cable with the USB logo facing up.

A.2 Installation Specifications

Item		Specification
Outer dimensions (W × D × H) (*1)		298 × 135 × 133 mm/11.7 × 5.3 × 5.2 in.
Installation space (W × D × H) (*2)		400 × 670 × 380 mm/15.7 × 26.4 × 15.0 in.
Weight		2.5 kg (5.5 lb)
Input power	Voltage range	AC 100 to 240 V±10%
	Phase	Single phase
	Frequency range	50/60±3 Hz
Power consumption	Operation	18 W or less
	Power saving	1.6 W or less
	Power OFF	0.4 W or less
Ambient condition	Temperature	Operating: 5 to 35°C (41 to 95°F), Not operating: -20 to 60°C (-4 to 140°F)
	Humidity	Operating: 20 to 80%, Not operating: 10 to 90%
Calorific value	Operation	15.5 kcal/Hr or less
	Power saving	1.38 kcal/Hr or less
	Power OFF	0.35 kcal/Hr or less
Shipping weight (*3)		Approx. 4 kg (8.8 lb)
Consumable replacement cycle		100,000 sheets or one year
Durability		360,000 sheets

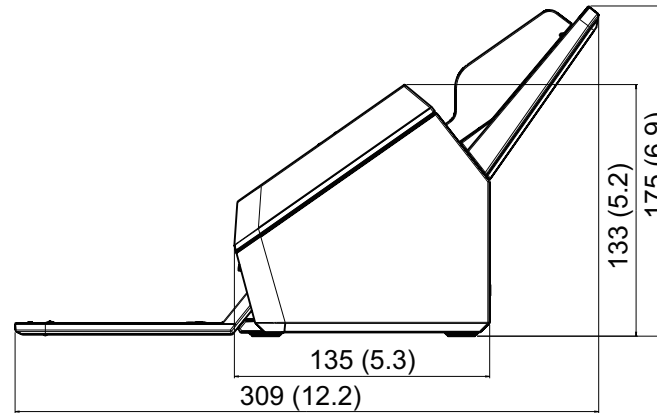
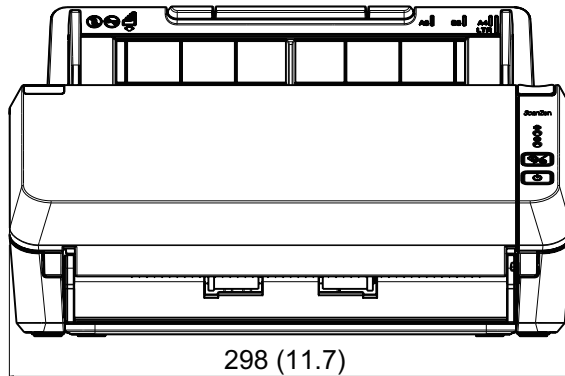
*1: The depth excludes the ADF paper chute (feeder) and stacker.

*2: The required installation space is a reference for scanning A4 size documents.

*3: Includes the package weight.

A.3 Outer Dimensions

The outer dimensions are as follows:



Unit: mm (in.)

[TOP](#)[Contents](#)[Index](#)[Introduction](#)[Scanner
Overview](#)[How to Load
Documents](#)[How to Use the
Operator Panel](#)[Various Ways to
Scan](#)[Daily Care](#)[Replacing the
Consumables](#)[Troubleshooting](#)[Operational
Settings](#)[Appendix](#)[Glossary](#)

A.4 Uninstalling the Software

- 1 Turn on the computer, and log on as a user with administrator privileges.
- 2 Close all software running.
- 3 Display the [Control Panel] window.
 - Windows 7
Select the [Start] menu → [Control Panel].
 - Windows 8.1
Select [⇩] on the lower left of the Start screen → [Control Panel] under [Windows System].
To display [⇩], move the mouse cursor.
 - Windows 10
Right-click the [Start] menu and select [Control Panel].
- 4 Select [Uninstall a Program].
⇒ The [Programs and Features] screen appears with a list of the currently installed software.
- 5 Select a software to uninstall.
 - PaperStream IP driver:
 - PaperStream IP (TWAIN) for ScanZen
 - PaperStream IP (TWAIN x64) for ScanZen
 - Software Operation Panel:
[Software Operation Panel]
The Software Operation Panel is installed together with the PaperStream IP driver.
 - PaperStream Capture Lite:
[PaperStream Capture Lite]
 - ABBYY FineReader Sprint:
[ABBYY FineReader XX Sprint]
XX represents the version.
 - Presto! PageManager:
[Presto! PageManager XX]
XX represents the version.
- 6 Click the [Uninstall] button or the [Uninstall/Change] button.
- 7 If a confirmation message appears, click the [OK] or [Yes] button.
⇒ The software is uninstalled.

[TOP](#)[Contents](#)[Index](#)[Introduction](#)[Scanner
Overview](#)[How to Load
Documents](#)[How to Use the
Operator Panel](#)[Various Ways to
Scan](#)[Daily Care](#)[Replacing the
Consumables](#)[Troubleshooting](#)[Operational
Settings](#)[Appendix](#)[Glossary](#)

Customer Support

Troubleshooting

For scanner related problems, such as paper jams, refer to "[Chapter 7 Troubleshooting](#)" (page 60) for solutions.

Contact for Inquiries

For ABBYY FineReader Sprint, refer to the following web page:

<http://www.abbyy.com>

For Presto! PageManager, refer to the following web page:

<http://www.newsoftinc.com/support/index.php>

<http://uk.newsoft.eu.com/support/index.php>

For other inquiries regarding the scanner, refer to the Welcome to ScanZen Card provided with the scanner.

Contact for Purchasing Consumables/Cleaning Materials

For details, refer to the web page that is shown on the Welcome to ScanZen Card provided with the scanner.

TOP

Contents

Index

Introduction

Scanner
Overview

How to Load
Documents

How to Use the
Operator Panel

Various Ways to
Scan

Daily Care

Replacing the
Consumables

Troubleshooting

Operational
Settings

Appendix

Glossary

Glossary

A

A4 size
A5 size
A6 size
A7 size
A8 size
ADF (Automatic Document Feeder)
Automatic skew/size detection

B

Blank page skip
Brake roller
Brightness

C

CCD (Charge-Coupled Device) image sensor

D

Default setting
Density
Device errors
Dither
Document sensor

dpi (dots per inch)

Driver
Dropout color
Duplex scanning mode

E

Edge extract
Edge processing
Eject roller
Error diffusion

F

Feed roller
Filter

G

Gamma
Grayscale

H

Halftone

I

Image processing
Interface
Inversion

L

Landscape
Letter size

M

Moire patterns
Multi image output
Multifeed

N

Noise removal

O

OCR (Optical Character Recognition)
Operating environment
Operator panel
Overscan

P

Paper jam
Pick roller
Pick start time
Pixel
Portrait
Pre-pick

R

Resolution

S

Simplex scanning mode
Smoothing

T

Temporary error
Threshold
TWAIN

U

Ultrasonic sensor
USB

W

White reference sheet

TOP

Contents

Index

Introduction

Scanner
Overview

How to Load
Documents

How to Use the
Operator Panel

Various Ways to
Scan

Daily Care

Replacing the
Consumables

Troubleshooting

Operational
Settings

Appendix

Glossary

A

A4 size

A standard paper size which is 210 × 297 mm (8.27 × 11.7 in.).

A5 size

A standard paper size which is 148 × 210 mm (5.83 × 8.27 in.).

A6 size

A standard paper size which is 105 × 148 mm (4.13 × 5.83 in.).

A7 size

A standard paper size which is 74 × 105 mm (2.91 × 4.13 in.).

A8 size

A standard paper size which is 52 × 74 mm (2.05 × 2.91 in.).

ADF (Automatic Document Feeder)

A paper feeding mechanism which allows multiple sheets of documents to be scanned one sheet at a time.

Automatic skew/size detection

End of Page Detection:

Detects the end of the page and scans the length of the document.

Automatic Page Size Detection:

Detects the paper size and outputs the image data in the same size.

B

Blank page skip

A function that detects and automatically deletes blank (white or black) pages in a batch of documents.

Brake roller

A roller that prevents more than one sheet of documents to be fed into the ADF at once.

Brightness

Refers to the brightness of a scanned image.

C

CCD (Charge-Coupled Device) image sensor

A sensor which perceives the light reflected from the document and converts it into digital form. CCD technology is the basis of high quality image acquisition in scanners, cameras and other devices.

D

Default setting

(Hardware)

Preset values from the factory.

(Software)

Values set upon installation of software.

Density

Refers to the deepness of a color in an image.

Device errors

Errors that require troubleshooting by a service engineer.

Dither

The process by which a group of dots is arranged to reproduce the density of grayscale. Grayscale density is reproduced by configuring preset dot patterns. This method requires less memory compared to multilevel gray.

Document sensor

A sensor that detects changes in the amount of light transmitted through a document. Paper feeding errors such as multifeeds and paper jams are detected by monitoring the passing of documents.

dpi (dots per inch)

A measurement of resolution that is used for scanners and printers. A higher dpi indicates a higher resolution.

Driver

A program specifically designed for operating systems, which enables interaction with a hardware device.

Dropout color

A function which removes a specified color from a scanned image.

Duplex scanning mode

A mode for scanning both sides of the document at once. (⇔ Simplex scanning mode)

E

Edge extract

A function that traces the boundaries between white and black areas to extract contours.

Edge processing

A function which decreases the density of bright colors (except for white) around black areas. Increasing the value for this function removes dotted image noise and also produces “softened” images.

Eject roller

Rollers that feed documents from the ADF onto the stacker.

Error diffusion

Method of halftone (pseudo-grayscale) image processing which is based on black & white pixel binarization. It sums the optical density of a pixel and its adjacent pixels, then relocates black pixels in the order of density to minimize the difference between scanned and output images. By diffusing the errors onto other pixels, the density data of adjacent pixels can be binarized. This function suppresses moire patterns of dotted halftone images such as newspapers, and reproduces its grayscale gradation.

F

Feed roller

A roller that feeds a document through the ADF.

Filter

A function that executes filtering processing on a scanned image. The following types of filters are available:

Digital Endorser:

Adds alphanumeric character strings on the scanned image data.

Edge Filler:

Fills in the margins of the scanned image in a specified color.

G

Gamma

A unit which indicates the changes in the brightness of an image. It is expressed as a function of the electric input power to devices (e.g. scanner, display) and the brightness of the image. If the gamma rate is larger than 1, the brightness of an image increases and vice versa. To reproduce the brightness of a document as the same as the brightness of the actual document, set the gamma rate to 1.

Grayscale

A method that expresses the gradation (density) from black to white in 256 levels. Suitable for scanning images such as photographs.

H

Halftone

Reproduces the color density in black & white by using dot patterns. This method is effective for scanning images such as photographs in black & white.

I

Image processing

Refers to processing and outputting the scanned image via specified scan parameters.

Interface

The connection that allows communication between the computer and the scanner.

Inversion

A scanning method in which the black part and the white part of the image are inverted.

L

Landscape

Orientation in which the short side of the document is set parallel to the feed direction.

Letter size

A standard paper size used in the United States and other countries (8.5 × 11 in.).

M

Moire patterns

Recurrent patterns on scanned images caused by incorrect settings of angles.

Multi image output

A function which outputs an image in both color/grayscale and black & white at once.

Multifeed

Multifeed is an error when two or more sheets are fed in the ADF at once.

N

Noise removal

A function which improves the quality of an image by removing isolated noise that appear as black dots in a white area (or vice versa).

O

OCR (Optical Character Recognition)

A device or a technology that recognizes the text on documents and converts them into text data that can be edited. The shape of the characters are recognized by the differences in the light reflected from the documents.

Operating environment

Conditions (e.g. temperature, humidity) required to operate or store the scanner.

Operator panel

A panel that consists of a display and buttons. It is used for scanner operations such as selecting functions and changing settings.

Overscan

A function that scans the document in a size larger than the specified paper size.

P

Paper jam

Refers to an error in which a document is jammed inside the paper path or feeding is interrupted by documents slipping.

Pick roller

A roller which picks up one sheet off of documents loaded in the ADF paper chute (feeder), and feeds the document into the ADF.

Pick start time

A time period for a loaded document from the point of passing the hopper empty sensor to being picked.

Pixel

The dots that make up a scanned image.

Portrait

Orientation in which the long side of the document is set parallel to the feed direction. Documents/images are set/displayed vertically.

Pre-pick

Refers to feeding a document in a position to start scanning.

It shortens the interval between setting the document and feeding the document to the starting position.

R

Resolution

A measurement to indicate the quality (fineness) of an image. Resolution is displayed by the number of pixels per inch.

Since image data is a collection of small dots (pixels), if the same image contains different amount of pixels, the one with more pixels can express greater details. Therefore, the higher the resolution is, the finer the image becomes.

S

Simplex scanning mode

A mode for scanning only one side (front or back) of a document. (⇔ Duplex scanning mode)

Smoothing

Refers to the removal of irregularities on diagonal lines and curves, which is a processing method commonly used in OCR applications.

T

Temporary error

An error that can be fixed by the user.

Threshold

The value which is used to determine whether a certain color is black or white. Threshold value must be configured in order to scan images with grayscale gradation. Each pixel is converted into black or white according to the specified value.

TWAIN

TWAIN (Technology Without Any Interesting Name) is an API (Application Program Interface) standard for imaging devices (e.g. scanners, digital cameras) developed by TWAIN Working Group. In order to use devices that comply with this standard, it is necessary to install a driver software that supports TWAIN standard.

U

Ultrasonic sensor

A sensor that detects multifeed errors by ultrasonic soundwave. It detects multifeeds by monitoring the difference in the amount of ultrasonic waves transmitted through the documents.

USB

USB (Universal Serial Bus) is a standard for interfaces used to connect devices such as keyboards and scanners. Up to 127 devices can be connected by this interface. It can be connected and disconnected without powering off the devices. For USB 2.0, the data transfer rate is 1.5 Mbps in Low-Speed, 12 Mbps in Full-Speed, and a maximum of 480 Mbps in Hi-Speed mode.

W

White reference sheet

The white part located inside the ADF that the scanner defines as white, in order to adjust the brightness of all other areas accordingly.

TOP

Contents

Index

Introduction

Scanner
Overview

How to Load
Documents

How to Use the
Operator Panel

Various Ways to
Scan

Daily Care

Replacing the
Consumables

Troubleshooting

Operational
Settings

Appendix

Glossary

Index

A	
ADF paper chute (feeder) setup	18
Advanced Scanning.....	44
available software.....	24
B	
basic flow of scanning operation	22
before you contact the scanner service provider.....	80
C	
cleaning ADF (Cleaning Paper).....	50
cleaning ADF (cloth).....	51
cleaning inside.....	50
cleaning materials.....	47
cleaning outside.....	49
conditions for mixed batch scanning	33
configuration items	92
consumables	56
contact.....	103
conventions	5
D	
daily care	46
documents for scanning	29
documents of different types and sizes	41
E	
error indications	63
H	
how to close the ADF	17
how to load documents	26, 28
how to open the ADF.....	17
how to use the operator panel.....	36
how to use this manual.....	2
I	
installation specifications.....	100
introduction.....	3
L	
loading documents	27
locations that require cleaning.....	47
M	
main features.....	12
O	
operational settings	83
operator panel	37
outer dimensions	101
P	
paper jam	61
parts and functions.....	13
power saving mode	21
product label.....	82

TOP

Contents

Index

Introduction

Scanner
OverviewHow to Load
DocumentsHow to Use the
Operator PanelVarious Ways to
Scan

Daily Care

Replacing the
Consumables

Troubleshooting

Operational
Settings

Appendix

Glossary

R

replacement cycles	56
replacing consumables	55
replacing roller set	57

S

scan/stop button	44
scanner features	12
scanner overview	11
settings related to sheet counters	94
settings related to waiting time	96
Software Operation Panel password	86
specifications	98
stacker setup	19
starting Software Operation Panel	84

T

troubleshooting	60
troubleshooting problems	66
turning off the power	16
turning on the power	16

U

uninstalling software	102
-----------------------------	-----

V

various ways to scan	39
----------------------------	----

W

ways of scanning	40
------------------------	----

TOP

Contents

Index

Introduction

Scanner
OverviewHow to Load
DocumentsHow to Use the
Operator PanelVarious Ways to
Scan

Daily Care

Replacing the
Consumables

Troubleshooting

Operational
Settings

Appendix

Glossary

TOP

Contents

Index

Introduction

Scanner
Overview

How to Load
Documents

How to Use the
Operator Panel

Various Ways to
Scan

Daily Care

Replacing the
Consumables

Troubleshooting

Operational
Settings

Appendix

Glossary

ScanZen Eko/ScanZen Eko Plus Image Scanner

Operator's Guide

P3PC-6271-01ENZ0

Issue Date: August 2017

Issued by: PFU Limited

- The contents of this manual are subject to change without notice.
- PFU Limited assumes no liability for incidental or consequential damages arising from the use of this product, and any claims by a third party.
- Copying of the contents of this manual, in whole or in part, as well as the scanner applications is prohibited under the copyright law.