



XNP-8300RW

6MP Network 30x IR PTZ
with built-in wiper

Benefits

- 65% lighter than conventional PTZ's for easier installation and increased speed of the Pan/Tilt functionality
- **PTZ PLUS** supports a RJ45 connector only, so all you have to do is connect a single RJ45 cable for quick and easy installation
- **PTZ PLUS** uses built-in wiper to initially get rid of water or dust and then activates heater on the lens to dry remaining water and remove water perfectly
- AI based object tracking, select the object you want e.g. a car or person
- Exceptional image quality for clearer and more detailed video
- Enhanced Cybersecurity for extra piece of mind
- Allows for monitoring in complete darkness up to 200meters with adaptive IR

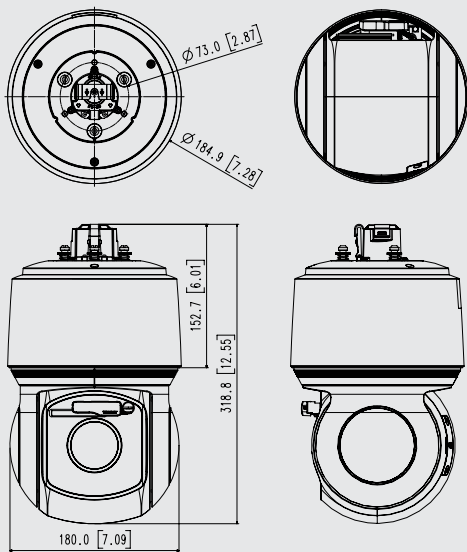
XNP-8300RW	
VIDEO	
Imaging Device	1/2.8" CMOS
Resolution	3328x1872, 3072x1728, 2592x1944, 2688x1520, 1920x1080, 1600x1200, 1280x1024, 1280x960, 1280x720, 1024x768, 800x600, 800x448, 720x576, 720x480, 640x480, 640x360, 320x240
Max. Framerate	H.265/H.264: Max. 30fps/25fps(60Hz/50Hz) MJPEG: Max. 30fps/25fps(60Hz/50Hz)
Min. Illumination	Colour: 0.1Lux(F1.6, 1/30sec) BW: 0Lux(IR LED On)
LENS	
Focal Length (Zoom Ratio)	5~150mm(30x) optical zoom (digital 32x zoom)
Max. Aperture Ratio	F1.6(Wide) - F4.56(Tele)
Angular Field of View	H: 57.42°(Wide)~2.19°(Tele) / V: 33.54°(Wide)~1.25°(Tele)
Min. Object Distance	3m(9.84ft)
Focus Control	Oneshot AF, Focus save
Lens Type	DC auto iris
PAN / TILT / ROTATE	
Pan Range	360° Endless
Pan Speed	Max. 500°/sec, Manual: 0.024°/sec~250°/sec
Tilt Range	110°(-20°~90°)
Tilt Speed	Max. 350°/sec, Manual: 0.024°/sec~250°/sec
Sequence	Preset(300ea), Swing, Group(6ea), Trace, Tour, Auto Run, Schedule
Preset Accuracy	±0.1°, Pan/Tilt correction
OPERATIONAL	
Camera Title	Displayed up to 85 characters
Direction Indicator	Support
Day & Night	Auto(ICR)/Colour/BW/Schedule
Backlight Compensation	BLC, HLC, WDR, SSSR
Wide Dynamic Range	Extreme WDR (120dB)
Digital Noise Reduction	SSNRV
Digital Image Stabilization	Support(built-in gyro sensor)
Defog	Support
Motion Detection	8ea, 8point polygonal zones
Privacy Masking	32ea, rectangular Support - Colour: Grey/Green/Red/Blue/Black/White - Mosaic
Gain Control	Low / Middle / High
White Balance	ATW / AWC / Manual / Indoor / Outdoor
Electronic Shutter Speed	Minimum / Maximum / Anti flicker (2~1/12,000sec)
Video Rotation	Flip, Mirror
Analytics	Directional detection, Fog detection, Face detection, Motion detection, Appear/Disappear, Enter/Exit, Loitering, Tampering, Virtual line, Shock detection * Audio detection, Sound classification(with NW I/O Box)
Alarm Triggers	Analytics, Network disconnect * Alarm input(with NW I/O Box)
Alarm Events	File upload via FTP and e-mail Notification via e-mail SD/SDHC/SDXC or NAS recording at event triggers PTZ Preset Handover * Alarm output(with NW I/O Box)
IR Viewable Length	200m(656.17ft)
Water Removal	Support(with wiper)
Auto Tracking	Object auto tracking(Person/Vehicle), Target lock tracking

Key Features

- Max. 6MP resolution
- 5~150mm(30x) optical zoom (digital 32x zoom)
- Max. IR viewable length 200m
- Day & night (ICR), extreme WDR, DIS (Built-in gyro sensor)
- Intelligent Analytics, Object auto tracking (Person/Vehicle), Target lock tracking
- H.264, H.265, MJPEG codec, WiseStreamII
- IP66, IK10, NEMA4X
- **PTZ PLUS** Design applied (Compact, Lighter, Simple cabling)

Dimensions

Unit:mm(inch)



XNP-8300RW

NETWORK

Ethernet	Metal shielded RJ-45(10/100BASE-T)
Video Compression	H.265/H.264: Main/Baseline/High, MJPEG
Smart Codec	Manual(Sea area), WiseStreamII
Bitrate Control	H.264/H.265: CBR or VBR MJPEG: VBR
Streaming	Unicast(20 users) / Multicast (128 user) Multiple streaming(Up to 10 profiles)
Protocol	IPv4, IPv6, TCP/IP, UDP/IP, RTP(UDP), RTP(TCP), RTCP, RTSP, NTP, HTTP, HTTPS, SSL/TLS, DHCP, FTP, SMTP, ICMP, IGMP, SNMPv1/v2c/v3(MIB-2), ARP, DNS, DDNS, QoS, PIM-SM, UPnP, Bonjour, LLDP, SRTP
Security	HTTPS(SSL) Login Authentication Digest Login Authentication IP Address Filtering User access log 802.1X Authentication(EAP-TLS, EAP-LEAP) Device certificate(Hanwha Techwin Root CA)
Application Programming Interface	ONVIF Profile S/G/T SUNAPI(HTTP API) Wisenet open platform

GENERAL

Webpage Language	English, Korean, Chinese, French, Italian, Spanish, German, Japanese, Russian, Swedish, Portuguese, Czech, Polish, Turkish, Dutch, Hungarian, Greek
Web Viewer	Supported OS: Windows 7, 8.1, 10, Mac OS X 10.10, 10.11, 10.12 Recommended Browser: Google Chrome Supported Browser: MS Explore11, MS Edge, Mozilla Firefox(Window 64bit only), Apple Safari(Mac OS X only)
Edge Storage	Micro SD/SDHC/SDXC 2slot 1TB
Memory	4GB RAM, 512MB Flash

ENVIRONMENTAL & ELECTRICAL

Operating Temperature / Humidity	Normal : -40°C~+55°C(-40°F ~ +131°F) / Intermittent : -40°C~+60°C(-40°F ~ +140°F) Maximum Temperature based on NEMA-TS 2(2.2.7) : +74°C(+165°F) Less than 95% RH(Non-condensing)
Storage Temperature / Humidity	-50°C~+60°C (-58°F~+140°F) / Less than 95% RH (Non-condensing)
Certification	IP66, IK10(Camera body only), NEMA4X
Input Voltage	HPoE(IEEE802.3bt, Class6, Type3)
Power Consumption	HPoE(Camera only): Max 42W, typical 20W

MECHANICAL

Colour / Material	White, Black / Aluminum+Polycarbonate
RAL Code	White: RAL9003 / Black: RAL9005
Product dimensions / weight	$\varnothing 184.9 \times 318.8$ mm(7.28x12.55") / 5.4Kg(11.90lb)

DORI (EN62676-4 STANDARD)

Detect (25PPM/ 8PPF)	Wide: 140m(460.0ft) / Tele: 4,018m(13,182.6ft)
Observe (63PPM/ 19PPF)	Wide: 56m(184.00ft) / Tele: 1607.2m(5273.1ft)
Recognize (125PPM/ 38PPF)	Wide: 28m(92.00ft) / Tele: 803.6m(2636.5ft)
Identify (250PPM/ 76PPF)	Wide: 14m(401.80ft) / Tele: 46m(1318.3ft)

* The latest product information / specification can be found at hanwha-security.com

* Design and specifications are subject to change without notice.

* Wisenet is the proprietary brand of Hanwha Techwin.