

# FEATURE HIGHLIGHTS

- LASER LIGHT SOURCE
- 5,000 ANSI LUMENS HIGH BRIGHTNESS
- BIG ZOOM & LENS SHIFT
- 360-DEGREE PROJECTION
- HDBASET
- DIGITAL SHRINK AND SHIFT
- IMAGE MEMORY
- PROJECTOR AND REMOTE CONTROL ID SETTING



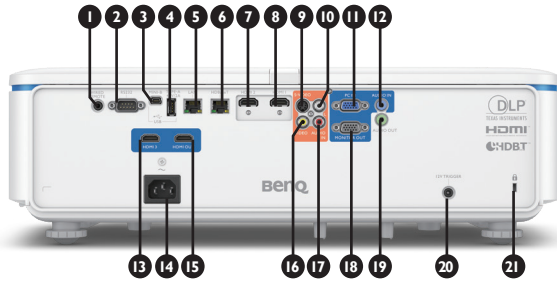
## Product Specifications

|  |   |  |
|--|---|--|
| Projection System                      | DLP Single 0.48" WUXGA  |  |
| DMD type                               | DC3 DMD Chip  |  |
| Native Resolution                      | 1920 x 1200 pixels  |  |
| Brightness                             | 5,000 ANSI Lumens   |  |
| Contrast Ratio *                       | 100,000 : 1   |  |
| Display Color                          | 1.07 Billion Colors   |  |
| Aspect Ratio                           | Native 16 : 10 (5 aspect ratio selectable)  |  |
| Projection Size                        | 30" ~ 300"  |  |
| Throw Ratio                            | 1.36 ~ 2.18   |  |
| Zoom Ratio                             | 1.6x  |  |
| Lens Control                           | Manual Zoom and Focus   |  |
| Lens Shift                             | Manual lens shift, V: ±60 %; H: ±23 %   |  |
| Light Source Type                      | Laser   |  |
| Light Source Life **                   | 20,000 Hours  |  |
| Keystone Adjustment                    | 2D keystone, V: ±30 degree; H: ±30 degree   |  |
| Resolution Support                     | VGA (640 x 480) to WUXGA_RB (1920 x 1200) *RB-Reduced Blanking"   |  |
| Horizontal Frequency                   | 15 ~ 102KHz   |  |
| Vertical Scan Rate                     | 24 ~ 120 Hz   |  |
| Compatibility                          | HDTV Compatibility  | 480i, 480p, 576i, 567p, 720p, 1080i, 1080p   |
|  | Video Compatibility   | NTSC, PAL, SECAM   |
| Built-in Speaker                       | 10W   |  |
| Security                               | Security Bar  |  |
| Feature                                | Digital Shrink and Shift, Image Memory, Projector/ Remote Control ID Setting, Auto High Altitude Mode, HDBaseT, LAN Control, 360_Projection, Dust-Proof Filter  |  |
| Dimensions (W x H x D)                 | 490 x 156 x 380 mm  |  |
| Weight                                 | 9.4 kg  |  |
| Power Supply                           | 100 ~ 240V AC   |  |
| Power Consumption (Max / Normal / Eco) | 530 W / 475 W / 365 W   |  |
| Standby Power Consumption              | Normal < 0.5W, Network < 2W   |  |
| Audible Noise                          | 37 / 35 dBA   |  |
| Operating Temperature                  | 0 ~ 40°C  |  |
| On-Screen Display Languages            | Arabic / Bulgarian / Croatian / Czech / Danish / Dutch / English / Finnish / French / German / Greek / Hindi / Hungarian / Italian / Indonesian / Japanese / Korean / Norwegian / Persian / Polish / Portuguese / Romanian / Russian / Simplified Chinese / Spanish / Swedish / Turkish / Thai / Traditional Chinese / Vietnam (30 languages) |  |
| Accessories                            | Standard  | Power Cord<br>Remote control (RCA011)<br>Lens cover<br>AAA Battery x 2<br>Installation Guide / Regulatory Statement (Combined)<br>Warranty card (by sku)<br>Anti-dust Filter |
|  | Optional  | Ceiling mount (CMG3)<br>3D glasses   |

\* The Contrast is measure by Full On Full Off standard.

\*\* LightSource life results will vary depending on environmental conditions and usage. Actual product's features and specifications are subject to change without notice.

## Input and Output Terminals



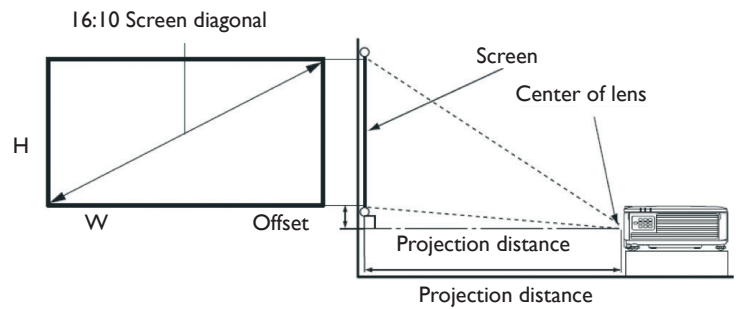
- |                                       |   |
|---------------------------------------|---|
| 1 Wired Remote Input                  | 12 Audio Input (mini jack)              |
| 2 RS232 Input (D-sub 9pin, male)      | 13 HDMI 3                               |
| 3 USB TypeB (Service)                 | 14 AC Power Jack                        |
| 4 USB TypeA (5V/2A power)             | 15 HDMI Output                          |
| 5 LAN Port (RJ45 for Network control) | 16 Composite Video (RCA)                |
| 6 HDBaseT                             | 17 RCA Audio Input L                    |
| 7 HDMI 2                              | 18 Monitor Output (D-sub 15pin, Female) |
| 8 HDMI 1                              | 19 Audio Output (mini jack)             |
| 9 S-Video Input                       | 20 12V Trigger                          |
| 10 RCA Audio Input R                  | 21 Kensington anti-theft lock slot      |
| 11 PC Input                           |   |

## Dimensions



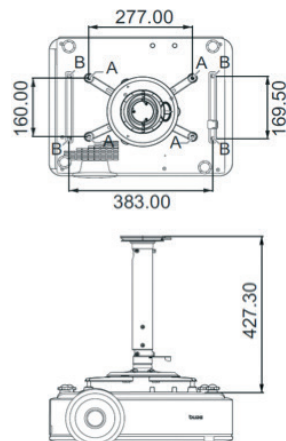
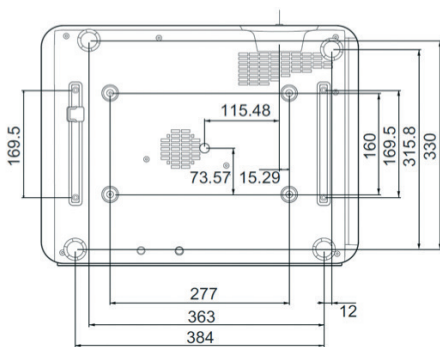
## Distance Chart

| Screen   |       |        |        | Distance from screen (mm) |         |                        | Offset (mm) |
|----------|-------|--------|--------|---------------------------|---------|------------------------|-------------|
| Diagonal |       | W (mm) | H (mm) | Min length (max. zoom)    | Average | Max length (min. zoom) |             |
| Inch     | mm    |        |        |                           |         |                        |             |
| 40       | 1016  | 862    | 538    | 1172                      | 1525    | 1878                   | 0           |
| 50       | 1270  | 1077   | 673    | 1465                      | 1906    | 2348                   | 0           |
| 60       | 1524  | 1292   | 808    | 1758                      | 2287    | 2817                   | 0           |
| 80       | 2032  | 1723   | 1077   | 2343                      | 3050    | 3756                   | 0           |
| 90       | 2286  | 1939   | 1212   | 2636                      | 3431    | 4226                   | 0           |
| 100      | 2540  | 2154   | 1346   | 2929                      | 3812    | 4696                   | 0           |
| 110      | 2794  | 2369   | 1481   | 3222                      | 4194    | 5165                   | 0           |
| 120      | 3048  | 2585   | 1615   | 3515                      | 4575    | 5635                   | 0           |
| 130      | 3302  | 2800   | 1750   | 3808                      | 4956    | 6104                   | 0           |
| 140      | 3556  | 3015   | 1885   | 4101                      | 5337    | 6574                   | 0           |
| 150      | 3810  | 3231   | 2019   | 4394                      | 5719    | 7043                   | 0           |
| 160      | 4064  | 3446   | 2154   | 4687                      | 6100    | 7513                   | 0           |
| 170      | 4318  | 3662   | 2289   | 4980                      | 6481    | 7982                   | 0           |
| 180      | 4572  | 3877   | 2423   | 5273                      | 6862    | 8452                   | 0           |
| 190      | 4826  | 4092   | 2558   | 5566                      | 7244    | 8922                   | 0           |
| 200      | 5080  | 4308   | 2692   | 5859                      | 7625    | 9391                   | 0           |
| 250      | 6350  | 5385   | 3365   | 7323                      | 9531    | 11739                  | 0           |
| 300      | 7620  | 6462   | 4039   | 8788                      | 11437   | 14087                  | 0           |
| 350      | 8890  | 7539   | 4712   | 10253                     | 13344   | 16434                  | 0           |
| 400      | 10160 | 8616   | 5385   | 11717                     | 15250   | 18782                  | 0           |
| 500      | 12700 | 10770  | 6731   | 14647                     | 19062   | 23478                  | 0           |



\*To optimize your projection quality, we suggest to do the projection within non-gray area.

## Ceiling Mount Chart



A: BenQ ceiling mount CMG3 (5J)AM10.001  
Ceiling mount screw: M4  
(Max. L = 25 mm; Min. L = 20 mm)

B: Third party mounting holes  
Screw: M6 (Max. L = 8 mm)

Unit: mm

