

**Canon**

# imageCLASS

LBP6030w / LBP6030

**Getting Started**

En

**Introducción**

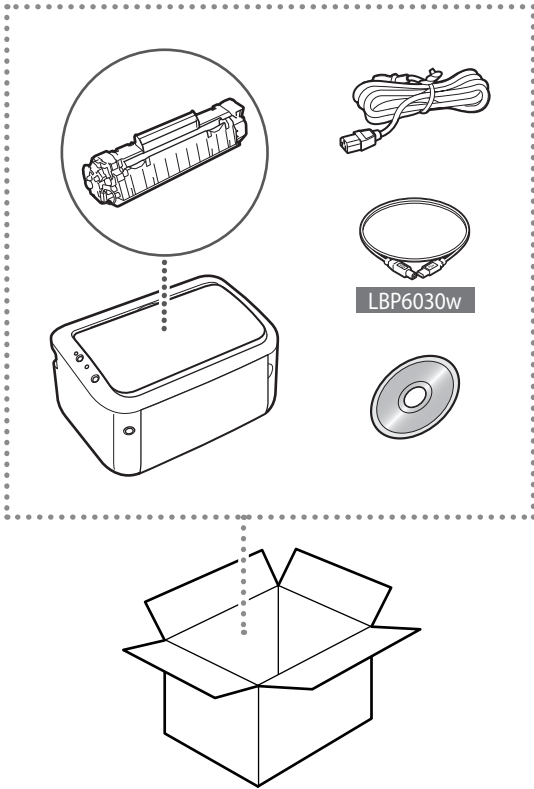
Es

**Introdução**

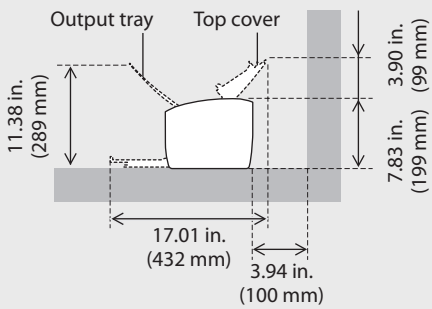
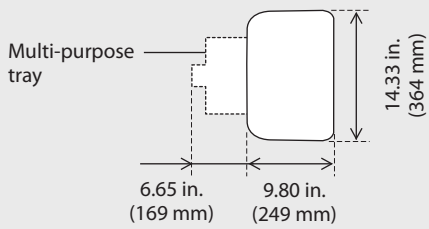
Pt

# Installing the Printer

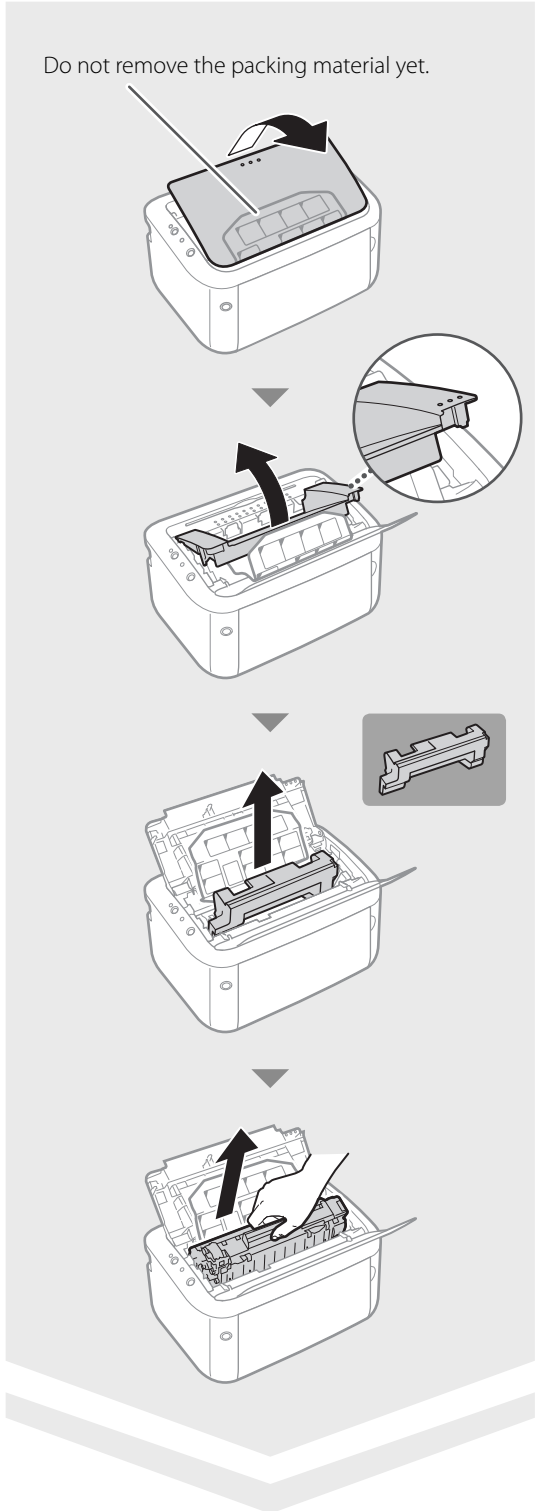
Preparation

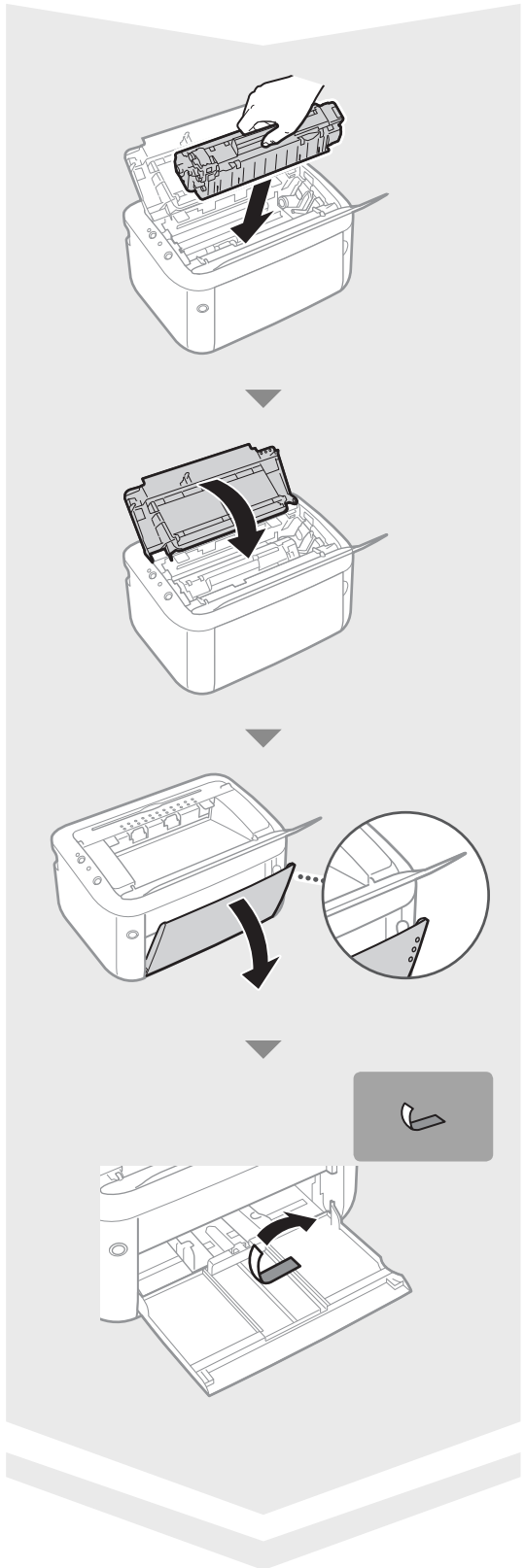
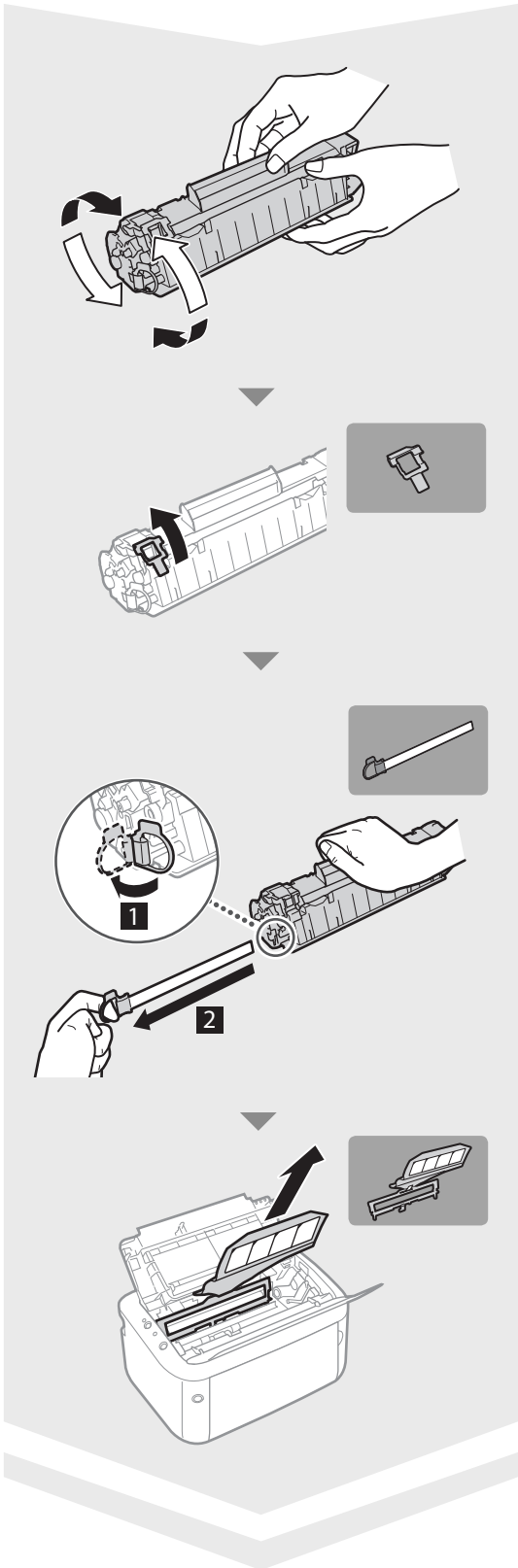


## Installation Requirements



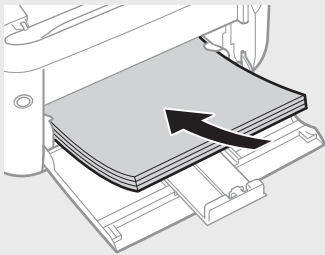
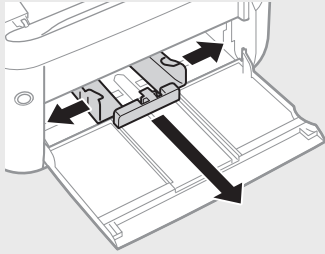
Remove all the tape.



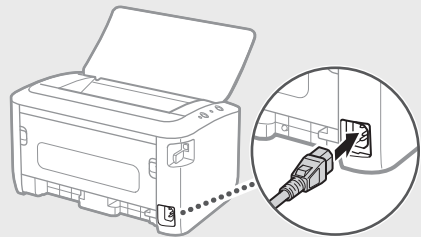
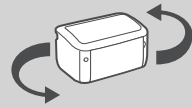
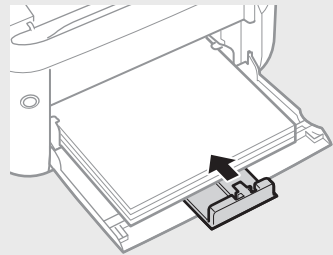
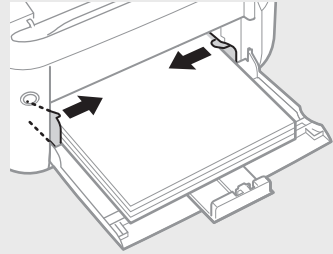
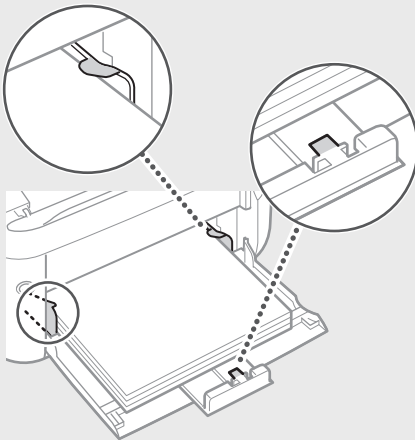


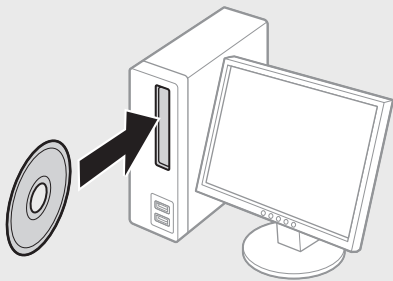
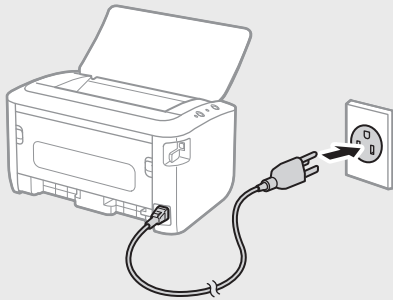
# Installing the Printer

Preparation

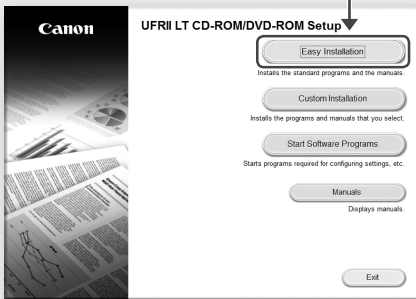


Keep the paper stack within the load limit guides.





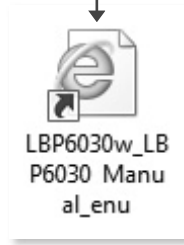
Click!



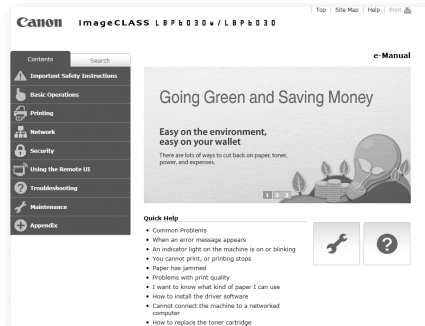
Follow the instructions on the screen.

» Next, see e-Manual and the Feature Highlights.

Double Click!



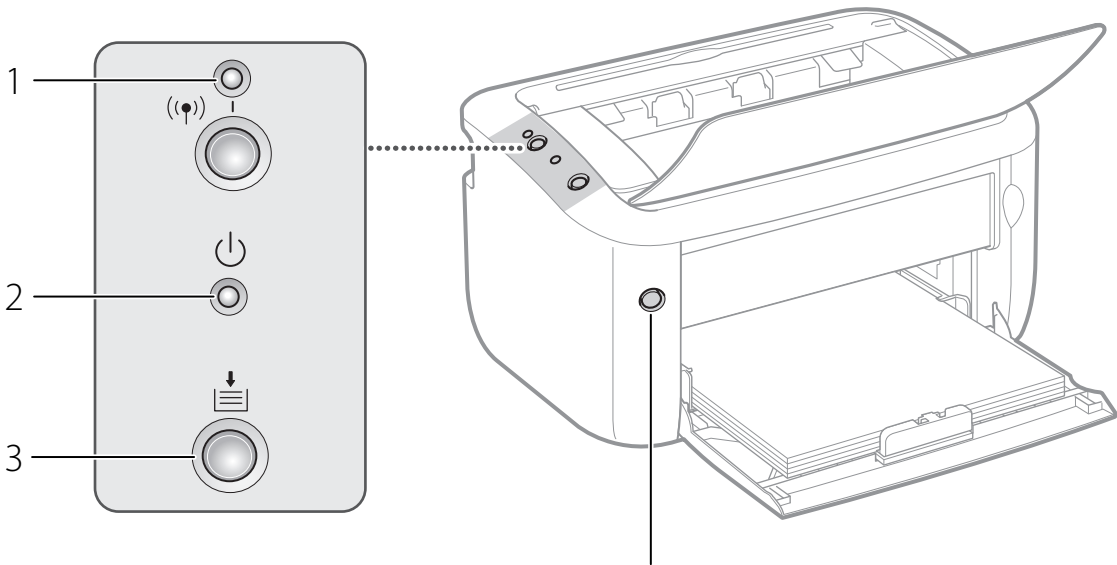
Top Page



Topic Page



# Indicators



Use the power switch to turn the power ON and OFF.

## 1 ((Ⓜ)) (Wi-Fi) indicator **LBP6030w**

Lights up when the machine is connected to a wireless LAN.

**Es** Se ilumina cuando el equipo está conectado a una red inalámbrica.

**Pt** Acende quando a máquina está conectada a LAN sem fios.

## 2 (Power) indicator

Lights up when the machine is powered ON.

**Es** Se ilumina cuando el equipo está encendido.

**Pt** Acende quando a máquina é LIGADA.

## 3 (Paper) indicator / key

Flashes when the machine is out of paper, when the paper is the wrong size, and after other errors when the paper needs to be checked. Reset the paper and press the key to restart printing. You can also use this key to print a list of network settings (with the machine ready to print, press the key and hold it down for 3 seconds).

**Es** Parpadea cuando el equipo no tiene papel, cuando el tamaño de éste no es el correcto y al producirse otros errores si es preciso inspeccionar el papel. Vuelva a colocar el papel y pulse la tecla para reanudar la impresión. Con esta tecla también puede imprimir una lista de opciones de red (con el equipo preparado para imprimir, pulse la tecla sin soltarla durante tres segundos).

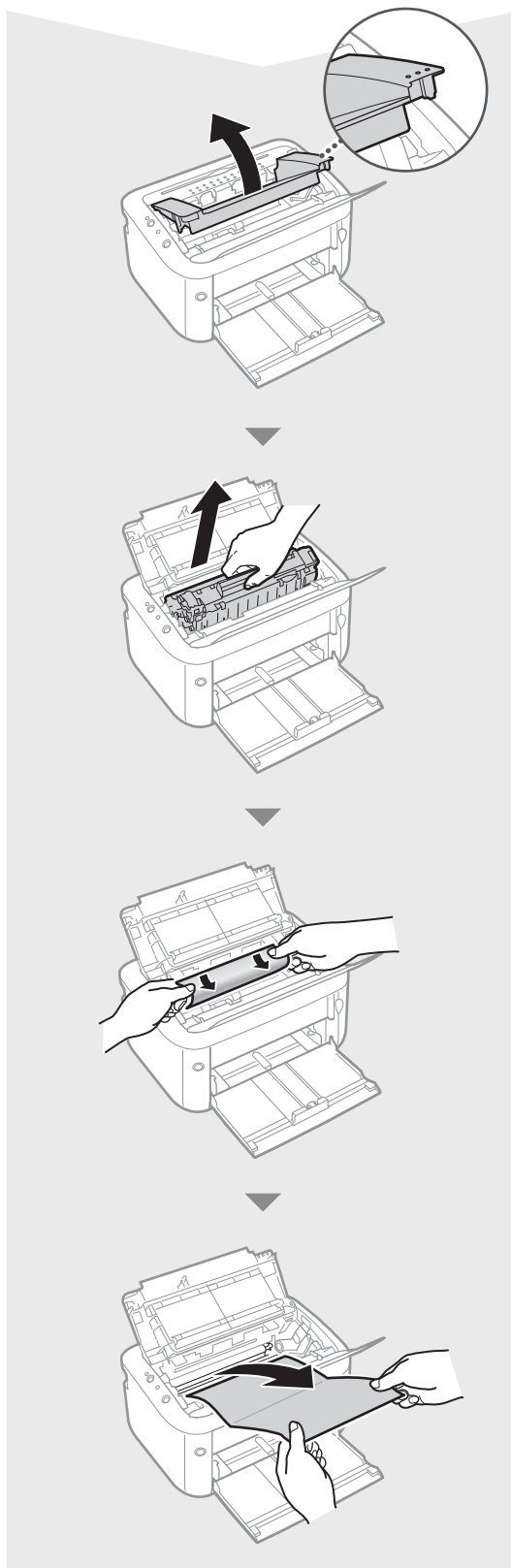
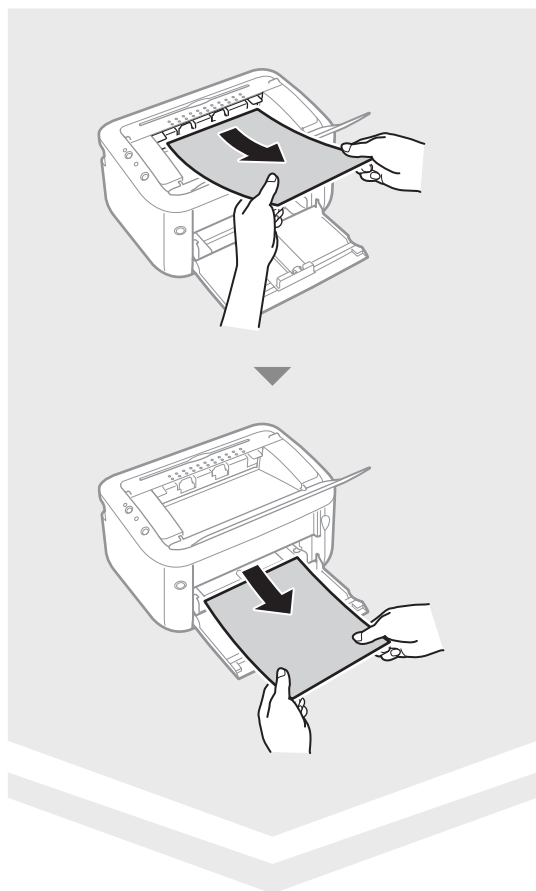
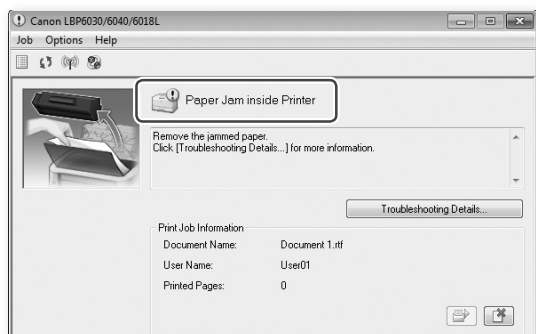
**Pt** Pisca quando a máquina está sem papel, quando o papel é do tamanho errado e após outros erros quando o papel precisa ser verificado. Reponha o papel e pressione a tecla para reiniciar a impressão. Você também pode usar esta tecla para imprimir uma lista das configurações de rede (com a máquina pronta para imprimir, pressione e segure a tecla por 3 segundos).

# Paper Jams

If paper jams, <Paper Jam inside Printer> is displayed in the Printer Status Window.

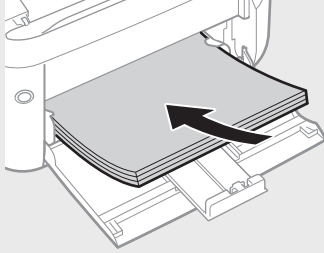
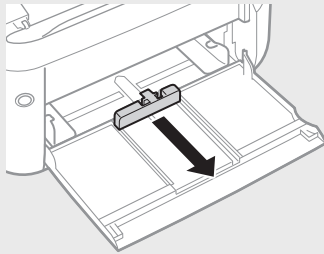
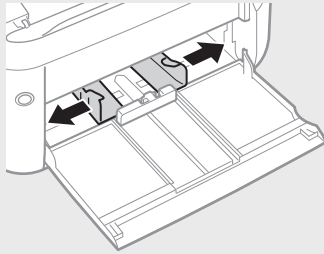
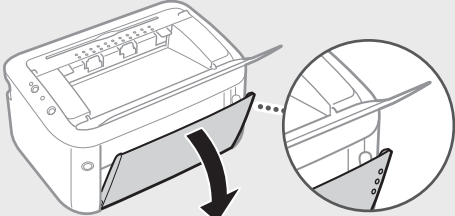
**Es** Si se produce un atasco de papel, aparecerá en la Ventana de estado de la impresora <Atasco de papel en el interior de la impresora>.

**Pt** Se o papel atorlar, <Atolamento de Papel na Impressora> é exibido na Janela de Status da Impressora.

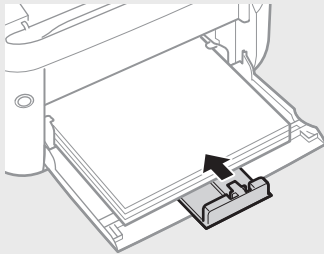
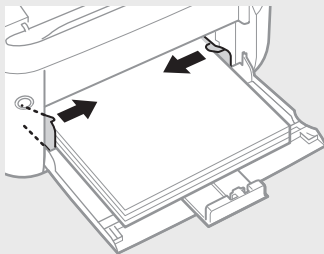
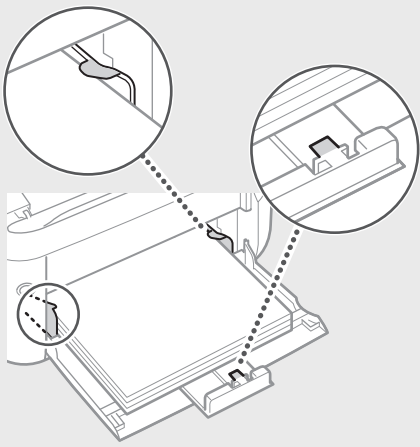


# Loading Paper

Operation



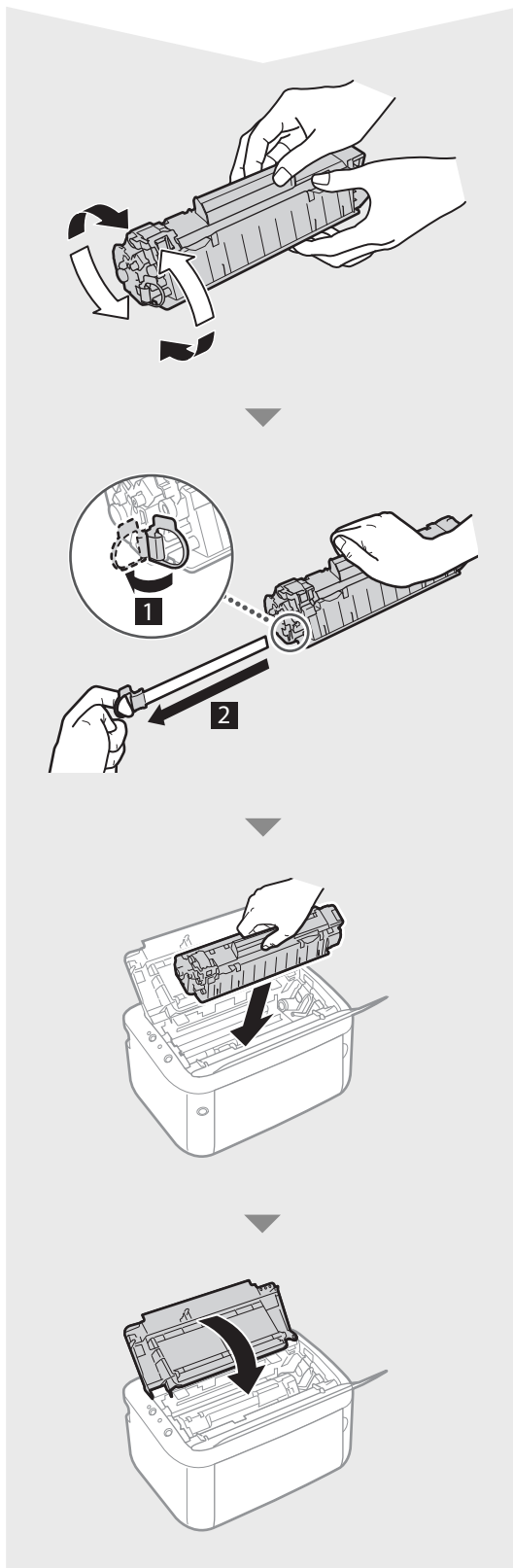
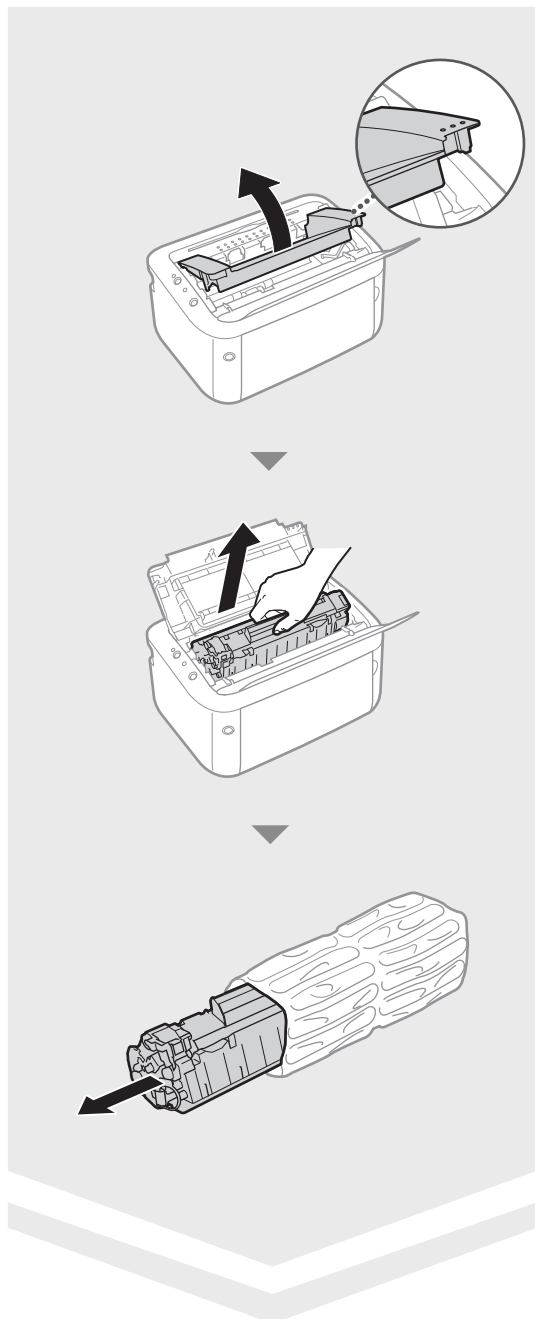
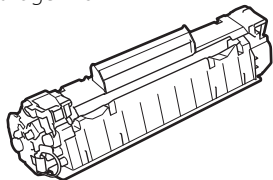
Keep the paper stack within the load limit guides.





# Replacing the Toner Cartridge

Canon Cartridge 125



# Cleaning the Inside of the Printer

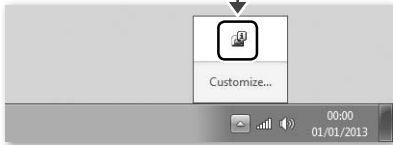
Before starting, load Letter/A4 size paper in the multi-purpose tray.

**Es** Antes de empezar, cargue papel de tamaño Carta/A4 en la bandeja multiuso.

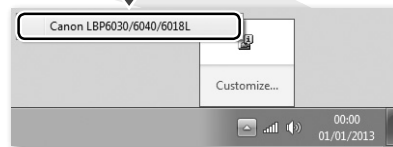
**Pt** Antes de começar, carregue papel tamanho Carta/A4 na bandeja multifuncional.

Operation

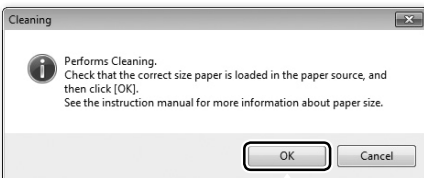
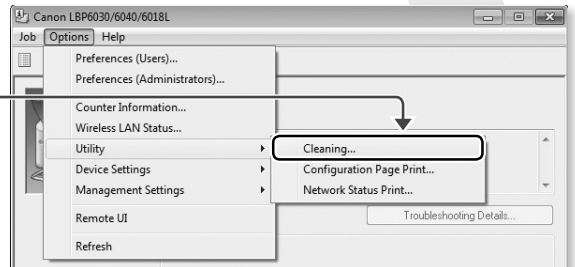
**1** Click!



**2** Click!



**3** Select



**4** Click!

# Important Safety Instructions

This manual describes only warnings and cautions for the installation and the power supply. Be sure to read "Important Safety Instructions" described in the e-Manual (HTML manual) included in the supplied CD-ROM/DVD-ROM also.

## **WARNING**

Indicates a warning concerning operations that may lead to death or injury to persons if not performed correctly. To use the machine safely, always pay attention to these warnings.

## **CAUTION**

Indicates a caution concerning operations that may lead to injury to persons if not performed correctly. To use the machine safely, always pay attention to these cautions.

## Installation

### **WARNING**

**Do not install in a location that may result in a fire or electrical shock**

- A location where the ventilation slots are blocked (too close to walls, beds, sofas, rugs, or similar objects)
- A damp or dusty location
- A location exposed to direct sunlight or outdoors
- A location subject to high temperatures
- A location exposed to open flames
- Near alcohol, paint thinners or other flammable substances

### **Other warnings**

- Do not connect unapproved cables to this machine. Doing so may result in a fire or electrical shock.
- Do not place necklaces and other metal objects or containers filled with liquid on the machine. If foreign substances come in contact with electrical parts inside the machine, it may result in a fire or electrical shock.
- Do not use near medical equipment. Radio waves emitted from this machine may interfere with medical equipment, which may result in malfunctions and accidents.
- If any foreign substance falls into this machine, unplug the power plug from the AC power outlet and contact your local authorized Canon dealer.

### **CAUTION**

**Do not install in the following locations**

The machine may drop or fall, resulting in injury.

- An unstable location
- A location exposed to vibrations

### **Other warnings**

- When carrying this machine, follow the instructions in this manual. If carried improperly, it may fall, resulting in injury.
- When installing this machine, be careful not to get your hands caught between the machine and the floor or walls. Doing so may result in injury.

## Power Supply

### **WARNING**

- Use only a power supply that meets the specified voltage requirements. Failure to do so may result in a fire or electrical shock.
- Do not use power cords other than the one provided, as this may result in a fire or electrical shock.
- Do not modify, pull, forcibly bend, or perform any other act that may damage the power cord. Do not place heavy objects on the power cord. Damaging the power cord may result in a fire or electrical shock.
- Do not plug in or unplug the power plug with wet hands, as this may result in an electrical shock.
- Do not use extension cords or multi-plug power strips with the machine. Doing so may result in a fire or electrical shock.
- Do not wrap the power cord or tie it in a knot, as this may result in a fire or electrical shock.
- Insert the power plug completely into the AC power outlet. Failure to do so may result in a fire or electrical shock.
- Remove the power plug completely from the AC power outlet during a thunder storm. Failure to do so may result in a fire, electrical shock, or damage to the machine.

### **CAUTION**

Do not obstruct the power outlet where this machine is connected, so that you can unplug the power plug easily in an emergency.

### **WARNING**

To avoid the risk of personal injury or damage to the printer, and for legal information, make sure to read the "Legal Notices" and "Important Safety Instructions" in the e-Manual included on the accompanying CD-ROM/DVD-ROM carefully before using the printer.

### **Es** **ADVERTENCIA**

Para evitar el riesgo de sufrir lesiones personales o de causar daños a la impresora (y para información legal), asegúrese de leer atentamente los "Avisos legales" y las "Instrucciones de seguridad importantes" del e-Manual incluido en el CD-ROM/DVD-ROM suministrado antes de utilizar la impresora.

### **Pt** **ATENÇÃO**

Para evitar o risco de ferimentos ou danos à impressora e para obter informações legais, leia com cuidado as "Notificações legais" e "Instruções de segurança importantes" no manual eletrônico incluído no CD-ROM/DVD-ROM fornecido, antes de usar a impressora.



**CANON U.S.A., INC.**

One Canon Park, Melville, NY 11747, U.S.A.  
Call Center: 1-800-OK-CANON

**CANON MEXICANA, S. DE R.L. DE C.V.**

Boulevard Manuel Avila Camacho, No. 138 PB, Piso 17 Col. Lomas de Chapultepec CP 11000,  
Mexico D.F. Mexico  
Call Center: 01800-710-7168

**CANON INC.**

30-2, Shimomaruko 3-chome, Ohta-ku, Tokyo 146-8501, Japan

**CANON MARKETING JAPAN INC.**

16-6, Konan 2-chome, Minato-ku, Tokyo 108-8011, Japan

**CANON EUROPA N.V.**

Bovenkerkerweg 59, 1185 XB Amstelveen, The Netherlands

**CANON CHINA CO. LTD.**

15F Jinbao Building No.89, Jinbao Street, Dongcheng District, Beijing 100005, PRC

**CANON SINGAPORE PTE LTD**

1 HarbourFront Avenue, #04-01 Keppel Bay Tower, Singapore 098632

**CANON AUSTRALIA PTY LTD**

1 Thomas Holt Drive, North Ryde, Sydney NSW 2113, Australia

**CANON GLOBAL WORLDWIDE SITES**

<http://www.canon.com/>



FT6 - 0758 - 000