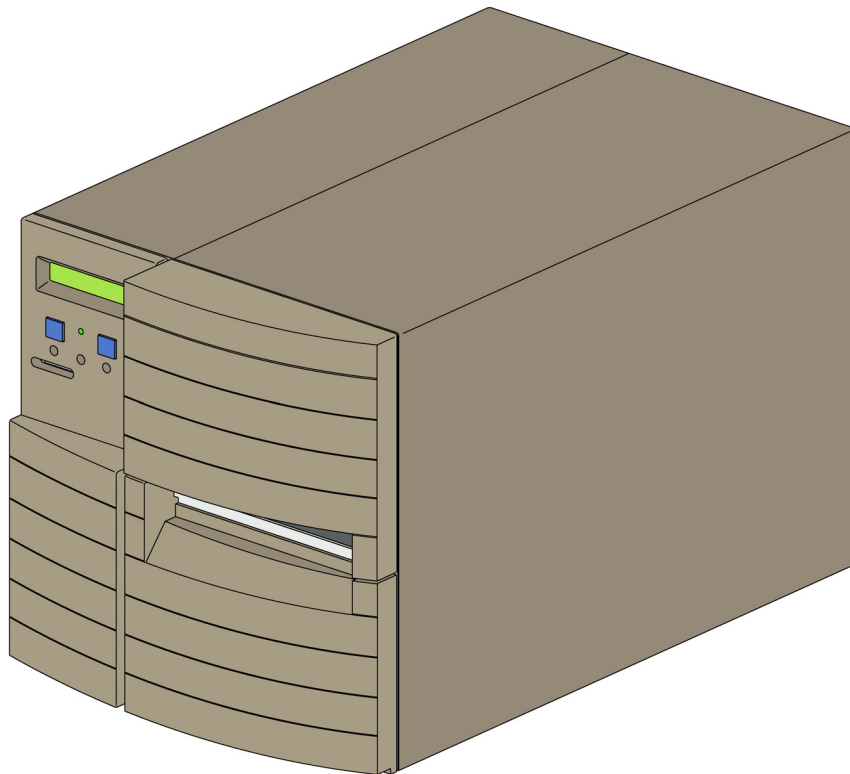




DCS & Labeling Worldwide

**LM408-412e
PRINTER**



PARTS LIST

SATO America, Inc.

**10350A Nations Ford Road
Charlotte, NC 28273**

Main Phone: (704) 644.1650

Technical Support: (704) 644.1660

Technical Support Fax: (704) 644.1661

E-Mail: satosales@satoamerica.com

techsupport@satoamerica.com

www.satoamerica.com

COVER ASSEMBLY

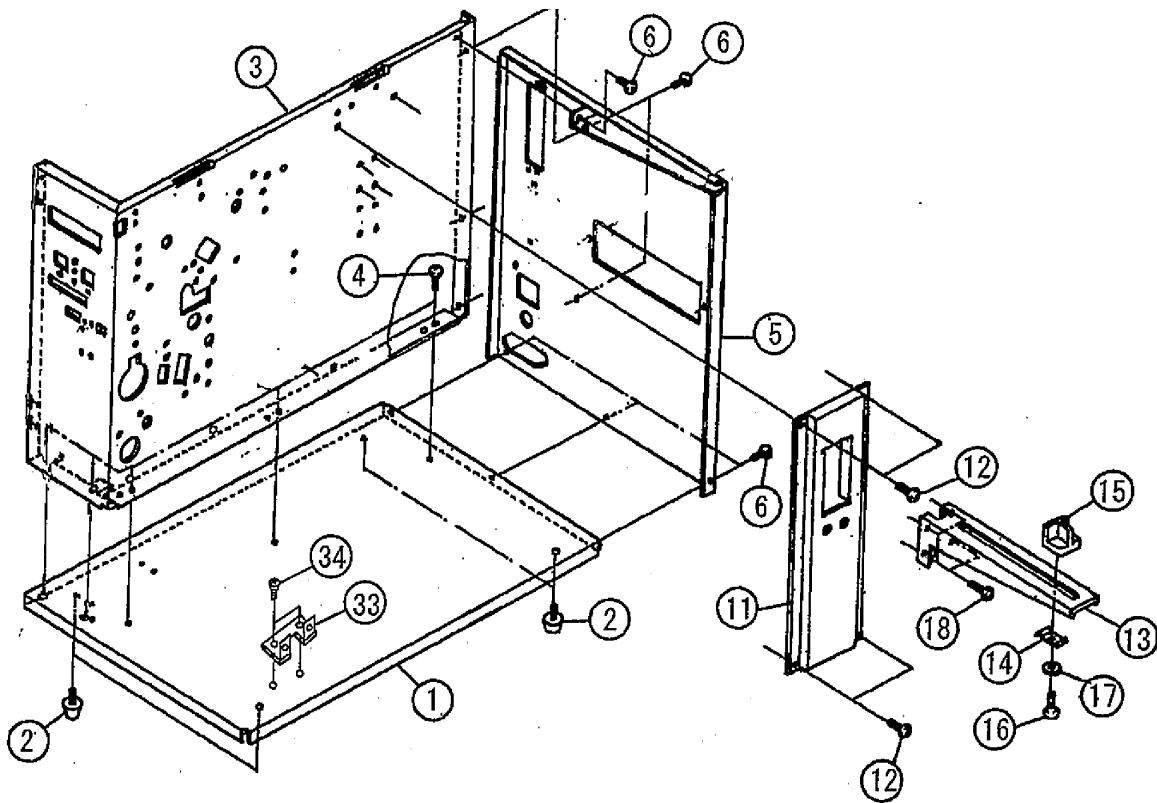


Figure PL1a, Frame & Housing Covers (1)

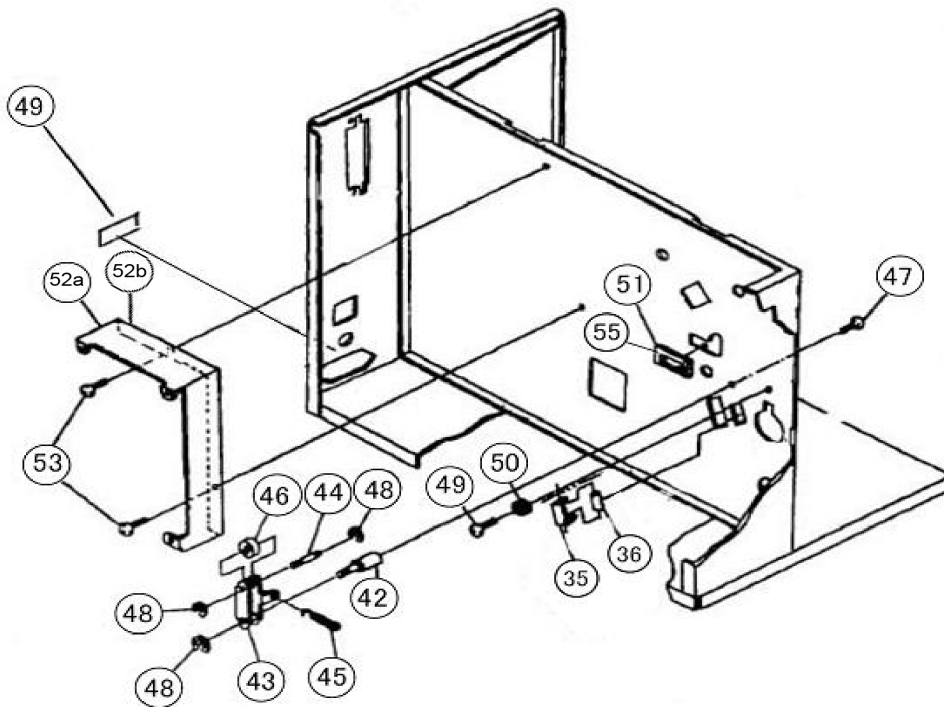


Figure PL1b, Frame & Housing Covers (2)

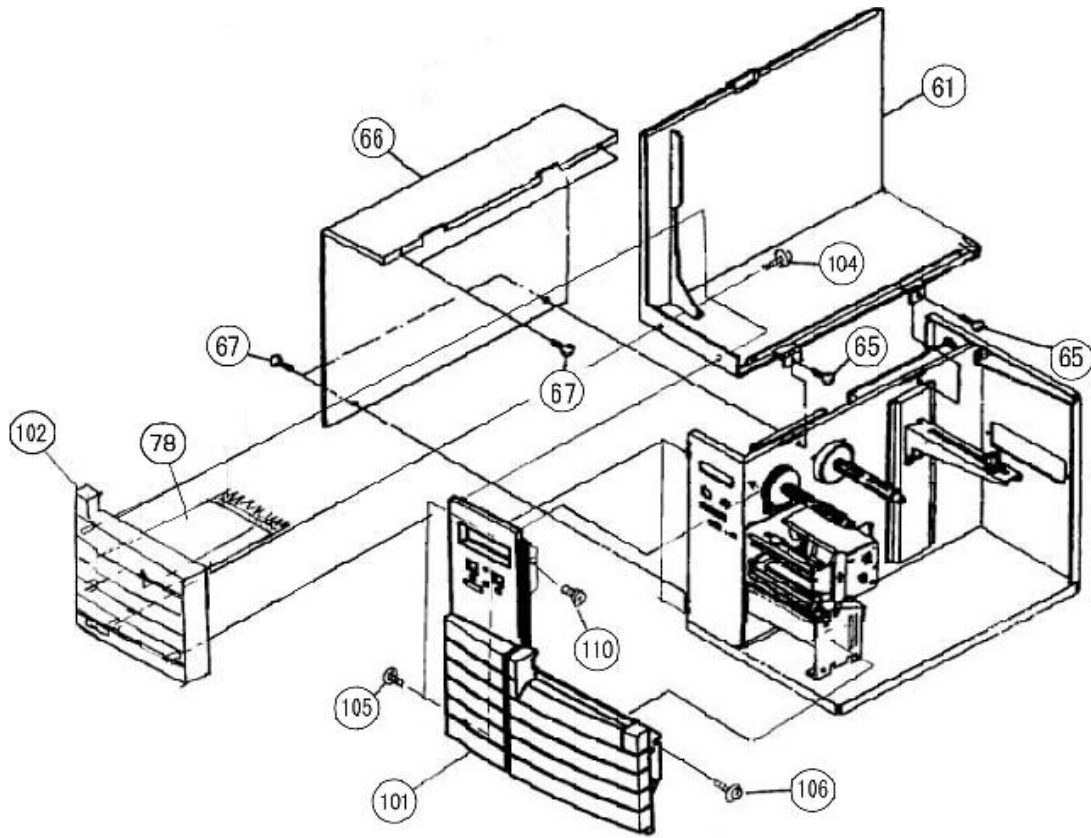


Figure PL1c, Frame & Housing Covers (3)

FRAME & HOUSING COVERS (1-3)		
ITEM	PART NUMBER	PART DESCRIPTION
1	PR3770550	BASE FRAME
2	PT6680100	CASE LEG
3	PR3770350	CENTER FRAME
4	MD4401022	PAN HEAD SCREW W/SPRING WASHER & WIDE FLAT WASHER
5	PZ0771050	REAR COVER
6	MD4300622	PAN HEAD SCREW W/SPRING WASHER & WIDE FLAT WASHER
11	PA1772100	GUIDE PLATE
12	MD4300622	PAN HEAD SCREW W/SPRING WASHER & WIDE FLAT WASHER
13	PA1773500	UNWIND BRACKET
14	PA4520300	STOPPER SPRING
15	PE1720350	LABEL STOPPER
16	MH0300822	PAN HEAD SCREW, P-TIGHT
17	NA1030022	FLAT WASHER
18	MD4300622	PAN HEAD SCREW W/SPRING WASHER & WIDE FLAT WASHER

FRAME & HOUSING COVERS (1-3)		
ITEM	PART NUMBER	PART DESCRIPTION
33	P00165010	BASE JOINT BRACKET FOR PRINT ASSEMBLY
34	MD4300622	PAN HEAD SCREW W/SPRING WASHER & WIDE FLAT WASHER
35	PE1770200	ROLLER BRACKET
36	PE3770100	ROLLER, 3.1 x 8 x 16
42	PB0751400	TENSION ROLLER POST
43	PA3741800	TENSION ROLLER BRACKET
44	PB0740900	TENSION ROLLER SHAFT
45	PC0740100	TENSION ROLLER SPRING
46	PE3720100	TENSION ROLLER
47	MD4300622	PAN HEAD SCREW W/SPRING WASHER & WIDE FLAT WASHER
48	ND0040030	SNAP RING, TYPE E
49	MD4301422	PAN HEAD SCREW W/SPRING WASHER & WIDE FLAT WASHER
50	MT1300522	HEXAGON NUT
51	PE6770700	CABLE PROTECTOR
52a	PA1775400	BRACKET, MAIN CIRCUIT BOARD, LM408e with S/N 7E032269 and below, and LM412e with S/N 7J034465 and below
52b	P23339000	BRACKET, MAIN CIRCUIT BOARD, LM408e with S/N 7E032270 and above, and LM412e with S/N 7J034466 and above
53	MD4300622	PAN HEAD SCREW W/SPRING WASHER & WIDE FLAT WASHER
55	P24595000	SPACER MAT
61	R08582000	COVER STICKER, RIGHT-HAND
65	MD4300622	PAN HEAD SCREW W/ SPRING WASHER & WIDE FLAT WASHER
66	PH1770150	HOUSING COVER, LEFT SIDE
67	MD4300622	PAN HEAD SCREW W/ SPRING WASHER & WIDE FLAT WASHER
78	P11949000	ANTI-STATIC SHEET
101	R08511000	HOUSING COVER, FRONT A
102	P19061000	HOUSING COVER, FRONT B
104	M16225000	FLANGE HEX SCREW, SELF-TAPPING
105	MA1300622	FLAT HEAD SCREW
106	MD4401022	PAN HEAD SCREW W/ SPRING WASHER & WIDE FLAT WASHER
110	MD4300622	PAN HEAD SCREW W/ SPRING WASHER & WIDE FLAT WASHER
		TY-RAP (cable tie - Use any cable tie)

CIRCUIT BOARD ASSEMBLIES

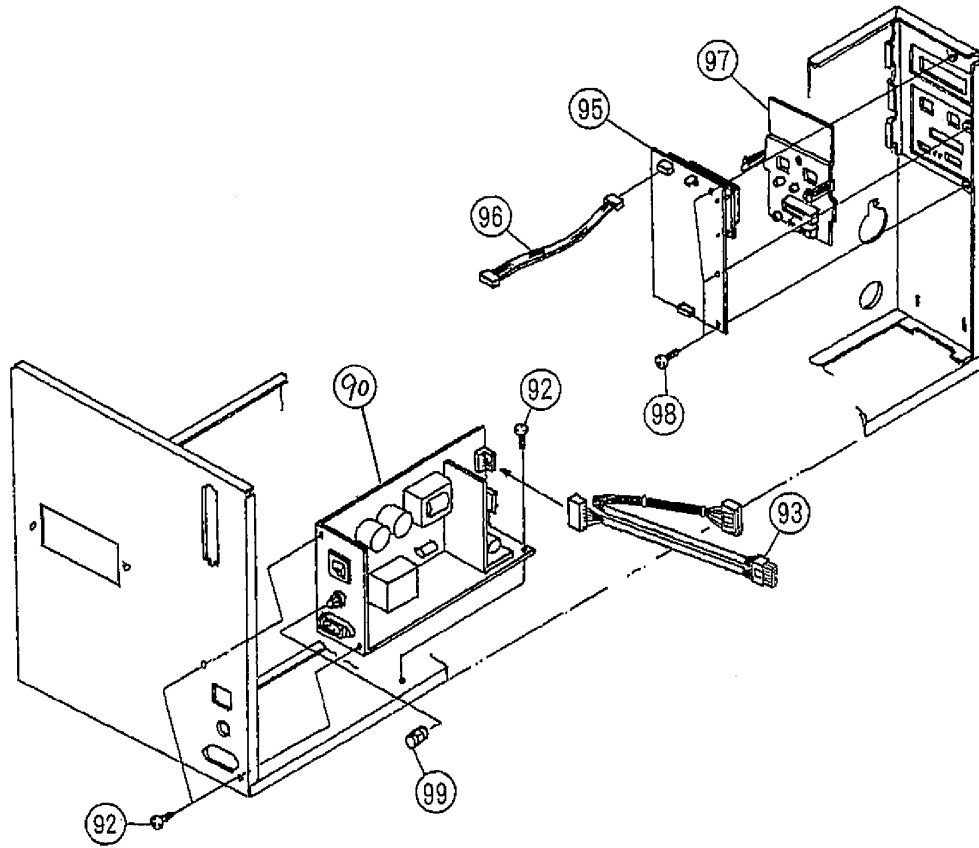


Figure PL2a, Circuit Board Assemblies (1)

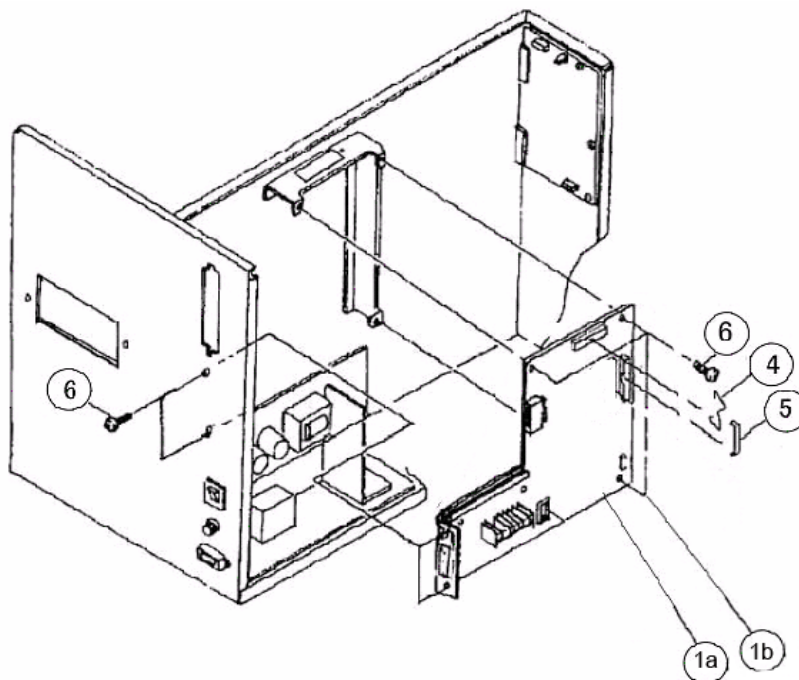


Figure PL2b, Circuit Board Assemblies (2)

CIRCUIT BOARD ASSEMBLIES (1 & 2)		
ITEM	PART NUMBER	PART DESCRIPTION
1a	R08667000	MAIN CIRCUIT BOARD, LM408e with S/N 7E032269 and below, and LM412e with S/N 7J034465 and below
1b	R11474001	MAIN CIRCUIT BOARD, LM408e with S/N 7E032270 and above, and LM412e with S/N 7J034466 and above
4	PC9730100	SPRING, LOCK
5	PA3739900	CONNECTOR CLIP
6	MD4300622	PAN HEAD SCREW W/SPRING WASHER & WIDE FLAT WASHER
90	KA500631A	POWER SUPPLY BOARD, 110 VOLT
92	MD4300825	PAN HEAD SCREW W/SPRING WASHER & WIDE FLAT WASHER
93	R00558000	WIRING HARNESS, POWER SUPPLY
95	R08668000	PANEL/LCD BOARD ASSEMBLY
96	R09094000	WIRING HARNESS, PANEL BOARD
97	PE6770600	PROTECTION SCREEN, LCD BOARD
98	MD4300622	PAN HEAD SCREW W/SPRING WASHER & WIDE FLAT WASHER
99	HD100401A	FUSE, LF.T3.15AH250V

DRIVE TRAIN & PRINT ASSEMBLY

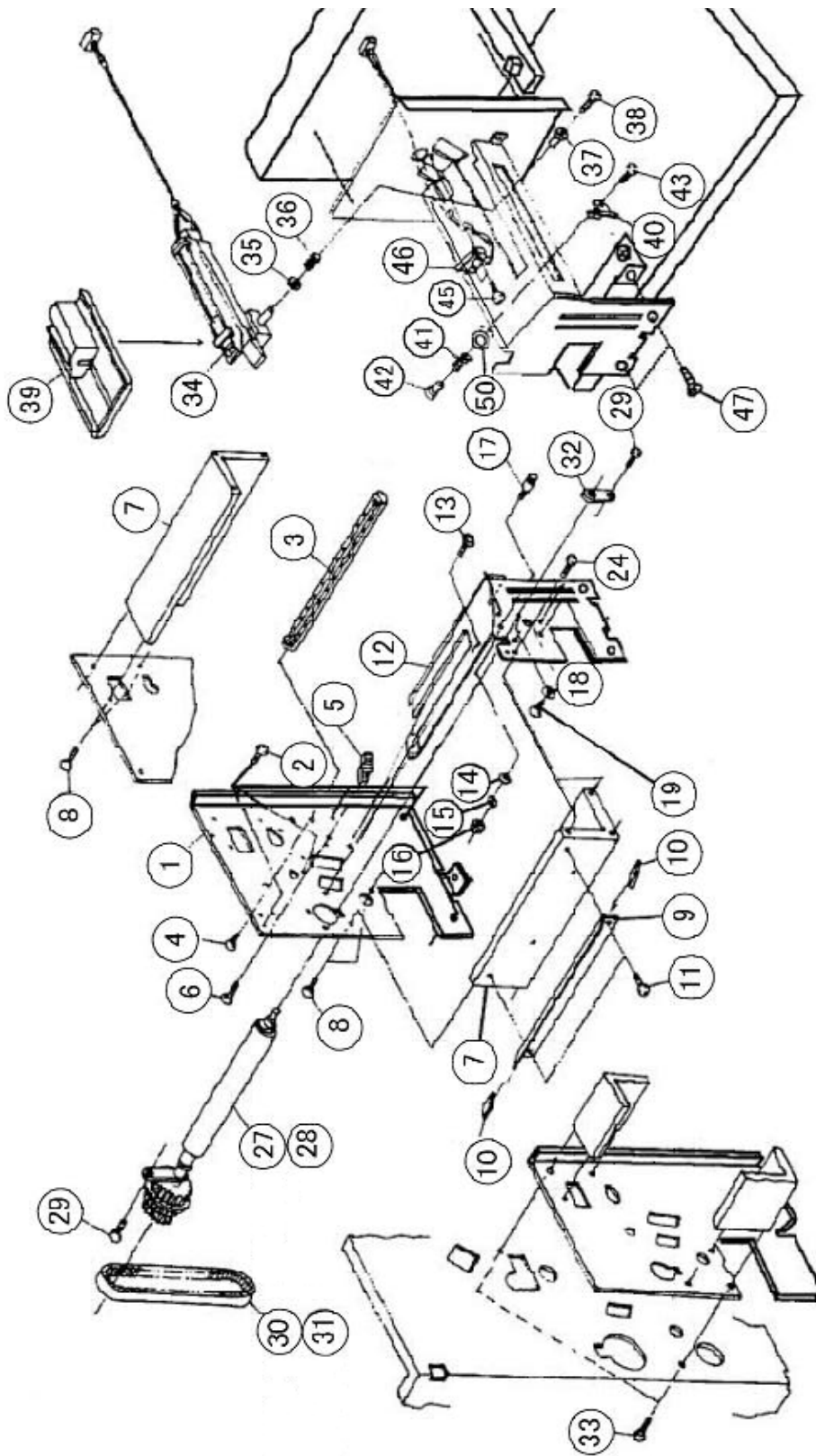


Figure PL3a, Drive Train & Print Assembly

DRIVE TRAIN & PRINT ASSEMBLY		
ITEM	PART NUMBER	PART DESCRIPTION
1	P00162000	ENGINE FRAME
2	MD4300622	PAN HEAD SCREW W/ SPRING WASHER & WIDE FLAT WASHER
3	PE5680000	GUIDE SHAFT
4	MH9300822	PAN HEAD SCREW, P-TIGHT
5	PE1770300	GUIDE BLOCK
6	MH0301022	PAN HEAD SCREW. P-TIGHT
7	PD1770100	STAY, RIGHT ANGLE BRACE
8	MD4401022	PAN HEAD SCREW W/ SPRING WASHER & WIDE FLAT WASHER
9	PA1773200	TEAR BAR
10	PE1770800	TEAR BAR END CAP
11	MD4300825	PAN HEAD SCREW W/ SPRING WASHER & WIDE FLAT WASHER
12	P00163100	MEDIA RAMP
13	MD4300622	PAN HEAD SCREW W/ SPRING WASHER & WIDE FLAT WASHER
14	NA1040022	FLAT WASHER
15	NB0040022	SPRING WASHER
16	MT1400722	HEX NUT
17	PB0770500	LATCH POST
18	NA1030022	FLAT WASHER
19	MD4300825	PAN HEAD SCREW W/ SPRING WASHER & WIDE FLAT WASHER
24	MD3401022	PAN HEAD SCREW W/ SPRING WASHER & NARROW FLAT WASHER
27	R03064000	PLATEN ROLLER ASSEMBLY, LM408e, S/N 7E032269 and below & 7E032270 & above
28	R03065000	PLATEN ROLLER ASSEMBLY, LM412e, S/N 7J034465 & below, and 7J034466 & above
29	MD4300622	PAN HEAD SCREW W/ SPRING WASHER & WIDE FLAT WASHER
30	PT8127064	TIMING BELT, LWR LM408e, 127MXLx6.4, S/N 7E032269 & below, and 7E032270 & above
31	PT8130064	TIMING BELT, LWR LM412e, 130MXLx6.4, S/N 7J034465 & below, and 7J034466 & above
32	PA1770800	SUPPORT CLAMP
33	MD4401022	PAN HEAD SCREW W/ SPRING WASHER & WIDE FLAT WASHER
34	PR7770100	LABEL SENSOR ASSEMBLY
35	PE2770400	COLLAR, 6 x 9 x 1, NYLON
36	PC1770100	GUIDE SPRING
37	PE2770500	GUIDE COLLAR, GREEN PLASTIC
38	MH0300822	PAN HEAD SCREW, P-TIGHT
39	PE6770900	PAPER GUIDE
40	PA1773100	GUIDE PLATE
41	PC1770100	GUIDE SPRING
42	PB2770200	COLLAR, M3 x 6 x 9.5F
43	MD4301422	PAN HEAD SCREW W/ SPRING WASHER & WIDE FLAT WASHER
45	MD3201222	PAN HEAD SCREW W/ SPRING WASHER & NARROW FLAT WASHER
46	RH1770800	HEAD-OPEN SENSOR ASSEMBLY
47	MD4300622	PAN HEAD SCREW W/ SPRING WASHER & WIDE FLAT WASHER
50	P00994000	FLAT WASHER

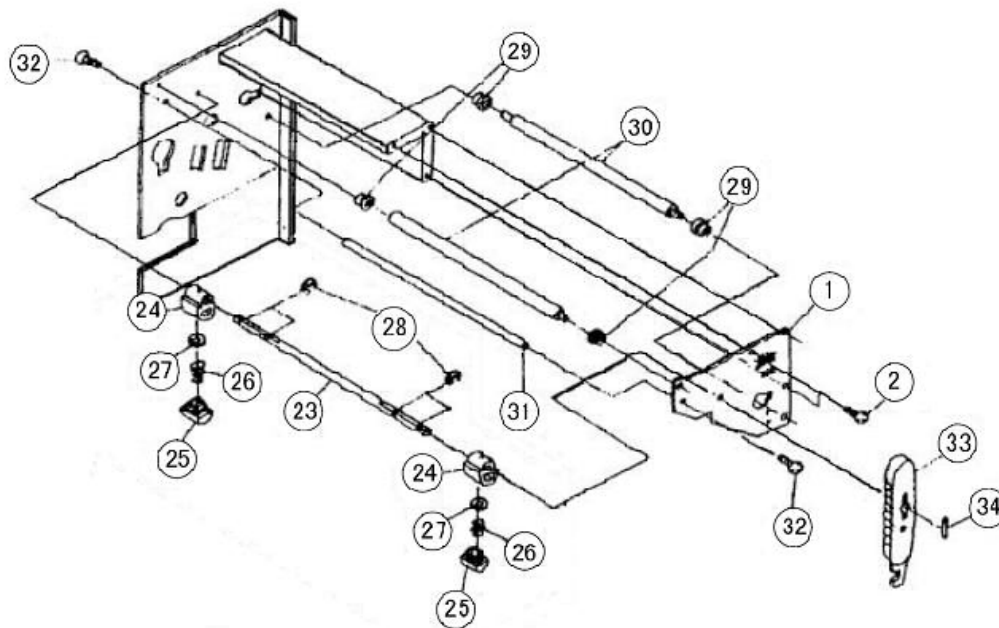


Figure PL3b, Drive Train & Print Assembly (2)

DRIVE TRAIN & PRINT ASSEMBLY (2)		
ITEM	PART NUMBER	PART DESCRIPTION
1	PA1772000	SIDE PLATE
2	MD4401022	PAN HEAD SCREW W/SPRING WASHER & WIDE FLAT WASHER
23	PB0770600	HEAD PRESSURE SHAFT
24	PE1740100	HEAD PRESSURE CAM
25	PE1740201	HEAD PRESSURE PIN
26	PC1770200	HEAD PRESSURE SPRING
27	PA0740100	PRESSURE PLATE
28	ND0060030	SNAP RING, TYPE E
29	PE2770300	COLLAR, 6 x 8 x 4F
30	PB3770100	ROLLER, 6 x 12 x 143
31	PB0770300	SUPPORT SHAFT
32	MD4300622	PAN HEAD SCREW W/SPRING WASHER & WIDE FLAT WASHER
33	PR2770150	LATCH HANDLE
34	NG2201230	STRAIGHT PIN

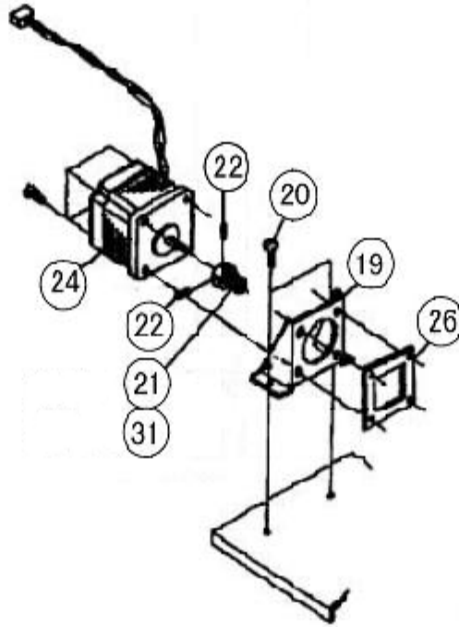


Figure PL3c, Drive Train & Print Assembly (3)

DRIVE TRAIN & PRINT ASSEMBLY (3)		
ITEM	PART NUMBER	PART DESCRIPTION
19	PA2770200	MOTOR BRACKET
20	MD4401022	PAN HEAD SCREW W/SPRING WASHER & WIDE FLAT WASHER
21	PL1770100	MOTOR PULLEY, 20, LM408e, S/N 7E032269 and below, and 7E032270 and above
22	MJ1400524	W-POINT ALLEN SCREW
24	K00113100	DRIVE MOTOR, STEPPER, ELECTRIC
26	PA1771400	PLATE NUT
31	PL1770200	MOTOR PULLEY, 16, LM412e, S/N 7J034465 and below, and 7J034466 and above

PRINT HEAD ASSEMBLY

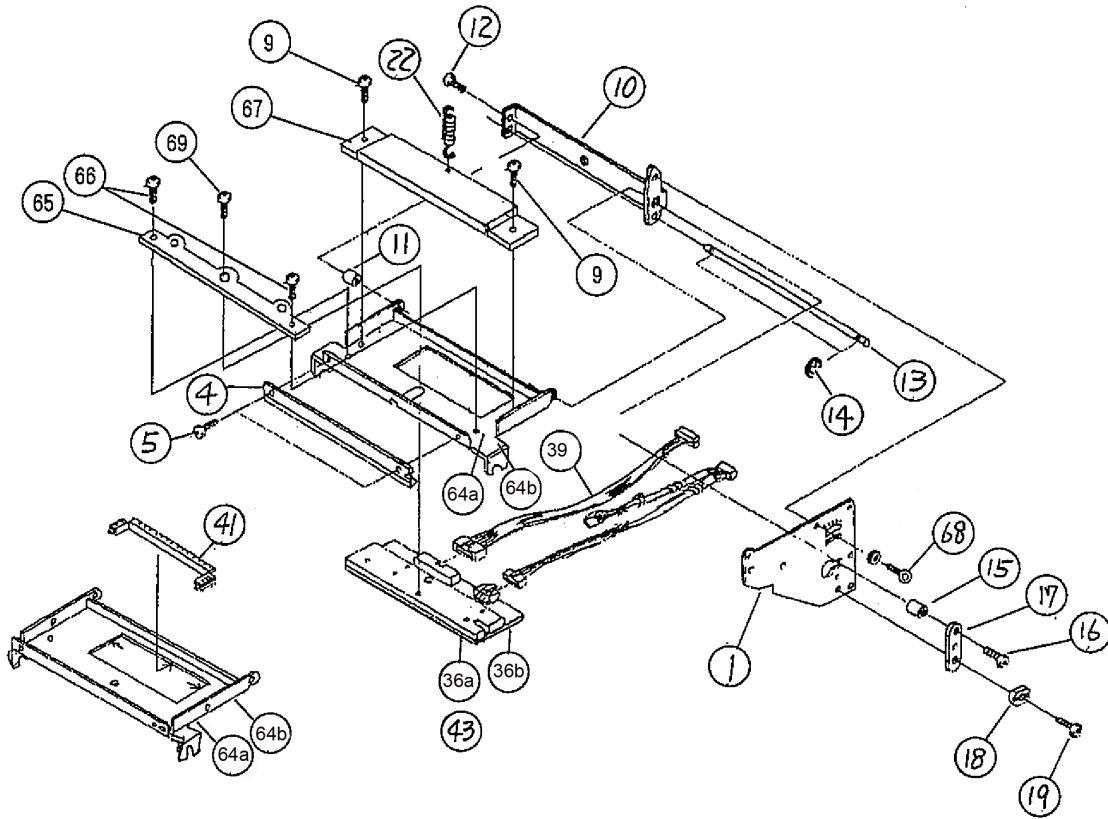


Figure PL4, Print Head Assembly (1)

PRINT HEAD ASSEMBLY (1)		
ITEM	PART NUMBER	PART DESCRIPTION
1	PA1772000	HEAD FRAME
4	PA1771900	RIBBON ADJUSTMENT PLATE
5	MD4300622	PAN HEAD SCREW W/SPRING WASHER & WIDE FLAT WASHER
9	MD4300622	PAN HEAD SCREW W/SPRING WASHER & WIDE FLAT WASHER
10	PA1770601	ADJUSTMENT PLATE B
11	PB2770300	COLLAR, 4 x 6 x 7.2F
12	MD3401222	PAN HEAD SCREW W/SPRING WASHER & NARROW FLAT WASHER
13	PB0770700	HEAD ADJUSTMENT SHAFT
14	ND0020030	SNAP RING, TYPE E
15	PB2770100	COLLAR, 4 x 6 x 8.7
16	MD4401422	PAN HEAD SCREW W/SPRING WASHER & WIDE FLAT WASHER
17	PA1771500	PLATE
18	PL2720100	ADJUSTMENT COLLAR
19	MD4300825	PAN HEAD SCREW W/SPRING WASHER & WIDE FLAT WASHER
22	PC0770100	SPRING, OPEN
36a	GH000741A	PRINT HEAD, 203 dpi, LM408e, S/N 7E032269 and below
36b	R11375100	PRINT HEAD, 203 dpi, LM408e, S/N 7E032270 and above

PRINT HEAD ASSEMBLY (1)		
ITEM	PART NUMBER	PART DESCRIPTION
39	RH1775201	PRINT HEAD WIRING HARNESS
41	PV9740300	CUSHION BRACKET
43	G00251000	PRINT HEAD, LM412e (305 dpi)
64a	P04911000	PRINT HEAD BRACKET, LM408e S/N 7E032269 and below with GH000741A only
64b	P04911100	PRINT HEAD BRACKET, LM408e S/N 7E032270 and above, LM412e S/N 7J034465 and below, and 7J034466 and above
65	R02501000	ALIGNMENT PLATE
66	MD4300622	PAN HEAD SCREW W/SPRING WASHER & WIDE FLAT WASHER
67	P02736000	HEAD BRACKET COVER
68	MJ9300822	LOW-PROFILE SCREW
69	MD4300822	PAN HEAD SCREW W/SPRING WASHER & WIDE FLAT WASHER

Note: If you have an LM408e with Serial Number (S/N) 7E032270 and above, or LM412e with S/N 7J034466 and above, and if you replace its print head with the print head for the LM408e with S/N 7E032269 and below, and 7J034465 and below, you must also replace the main printed circuit board (PCB).

RIBBON SPINDLE ASSEMBLY

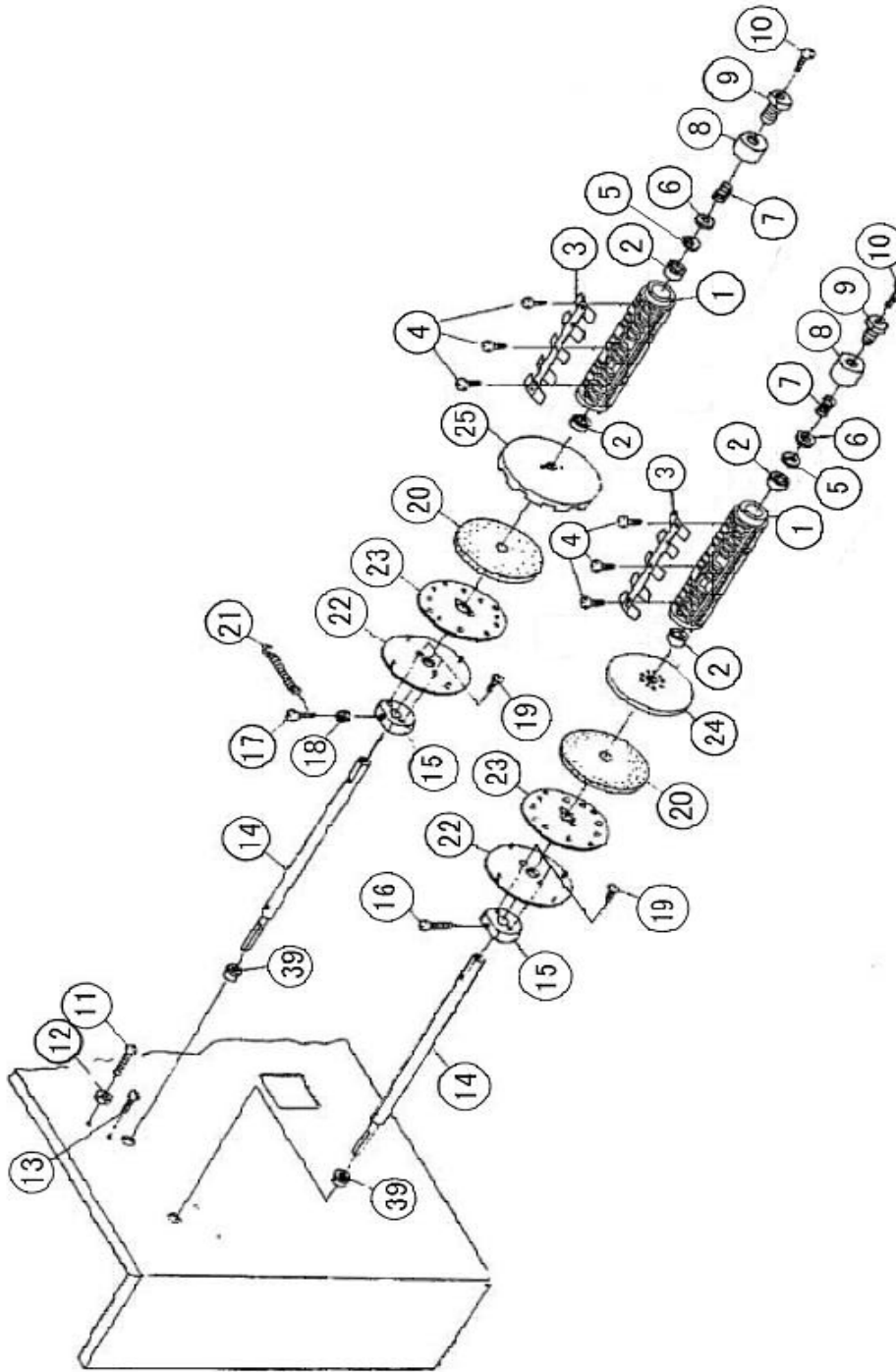


Figure PL5a, Ribbon Spindle Assemblies (1)

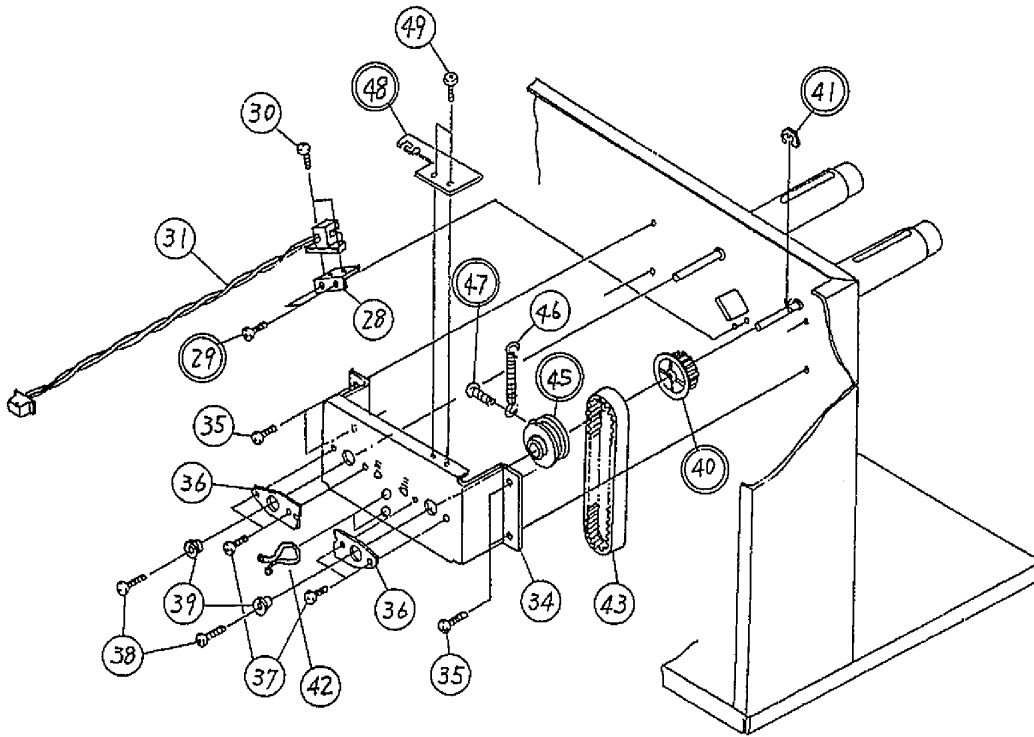


Figure PL5b, Ribbon Spindle Assemblies (2)

RIBBON SPINDLE ASSEMBLIES (1 & 2)		
ITEM	PART NUMBER	PART DESCRIPTION
1	PE4730100	RIBBON BOSS
2	PE2720100	COLLAR, 10 x 12 x 10
3	P00626000	RIBBON BOSS SPRING
4	MH0300522	PAN HEAD SCREW, P-TIGHT
5	PT2301020	WASHER, OIL DRY, METAL
6	PA0680400	DISC
7	PC1730100	RIBBON SPRING
8	PE2730100	STOPPER COLLAR
9	PB5730100	ADJUSTMENT SCREW
10	MA0303022	PAN HEAD SCREW
11	MA1300822	FLAT HEAD SCREW
12	MT1300522	HEX NUT
13	MD4300622	PAN HEAD SCREW W/SPRING WASHER & WIDE FLAT WASHER
14	PB0771101	RIBBON SPINDLE
15	PE4720200	PLATE HOLDER BOSS
16	MA0301822	PAN HEAD SCREW
17	MA0302522	PAN HEAD SCREW
18	MT1300522	HEX NUT
19	MH1250621	FLAT HEAD SCREW, P-TIGHT

RIBBON SPINDLE ASSEMBLIES (1 & 2)

ITEM	PART NUMBER	PART DESCRIPTION
20	PA0680300	RIBBON FRICTION WASHER
21	PC0740200	BACK SPRING
22	PA0730100	GUIDE PLATE A
23	PA0730200	HOLD PLATE
24	PE1681100	GUIDE PLATE B
25	PE7720100	DISK PLATE A
28	PA1770500	RIBBON SENSOR BRACKET
29	MD4300622	PAN HEAD SCREW W/SPRING WASHER & WIDE FLAT WASHER
30	MA0300622	PAN HEAD SCREW
31	RH1740400	RIBBON SENSOR ASSEMBLY
34	PA1751802	RIBBON FRAME
35	MD4300622	PAN HEAD SCREW W/SPRING WASHER & WIDE FLAT WASHER
36	PA1771700	ADJUSTMENT PLATE
37	MD4300622	PAN HEAD SCREW W/SPRING WASHER & WIDE FLAT WASHER
38	MD4401022	PAN HEAD SCREW W/SPRING WASHER & WIDE FLAT WASHER
39	PT1112080	BEARING
40	PR1720400	PULLEY, 50
41	ND0060030	SNAP RING, TYPE E
42	PT9751200	CABLE TIE, TWIST
43	PT8170064	TIMING BELT, 170MXL6.4
45	PR1770100	PULLEY, 4 x 40
46	PC0740200	BACK SPRING
47	MH0300822	PAN HEAD SCREW, P-TIGHT
48	PA2771300	SPRING (BRACKET)
49	MD4300622	PAN HEAD SCREW +SW +WL

ACCESSORIES & OPTIONS

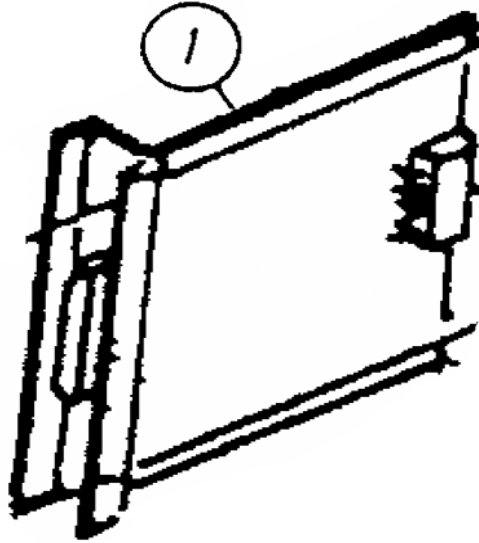


Figure PL6, Accessories & Options

ACCESSORIES & OPTIONS		
ITEM	PART NUMBER	PART DESCRIPTION
1	WWCL45031	ENHANCED SERIAL INTERFACE BOARD
1	WWCL45060	IEEE1284 PARALLEL INTERFACE BOARD
1	11S000358	LAN INTERFACE BOARD, ETHERNET
1	WCL405800	802.11G WIRELESS INTERFACE BOARD
1	WCL404060	ENHANCED USB INTERFACE BOARD