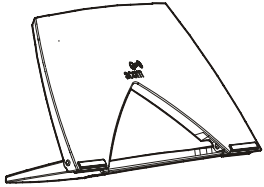


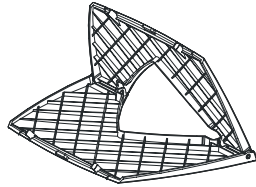


Introduction

A 350x Series IP Phone stand is used to allow an IP phone to stand upright on a desktop. The structure of the stand is shown below:

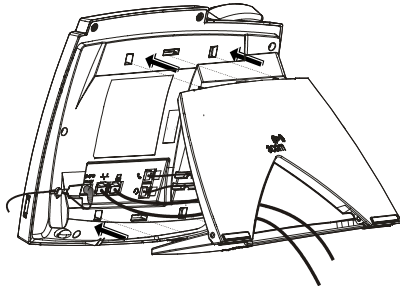


The figure shows the surface of the stand that will be placed on the desktop.

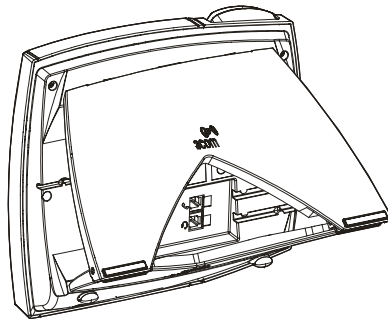


The surface of the stand that attaches to the rear panel of the IP Phone. Each corner of the stand has a tab, which is used to connect the stand to the rear panel of the IP Phone.

Installing the Stand

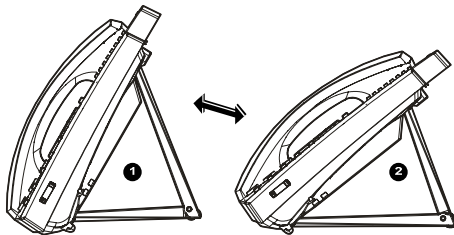


Connect the cables first (route the network cables through the stand), and then mount the stand to the rear panel of the IP Phone.



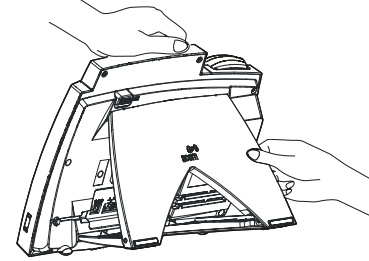
After installation, the stand should be attached to, and have the four tabs secured to the rear panel of the IP Phone.

Adjusting the Height of the IP Phone



The stand provides two installation methods, through which you can adjust the height of the IP Phone. The angle between the horizontal and the IP Phone can be either 55 degrees or 35 degrees.

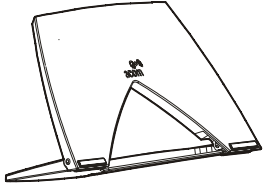
Removing the Stand



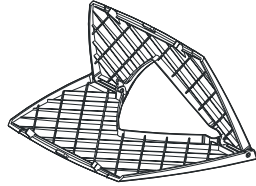
To remove the stand, hold the phone with one hand and hold the stand with another hand, then pull the stand with proper strength to separate it from the phone.

支架简介

350x 系列 IP 话机支架用于将话机固定在桌面上，支架的结构图如下图所示：

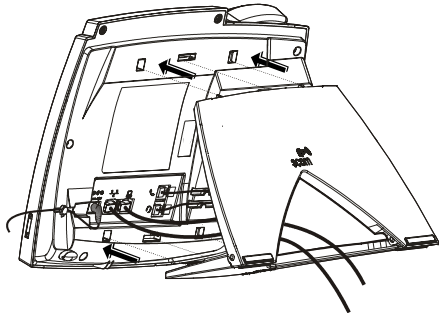


支架与桌面接触面如图所示

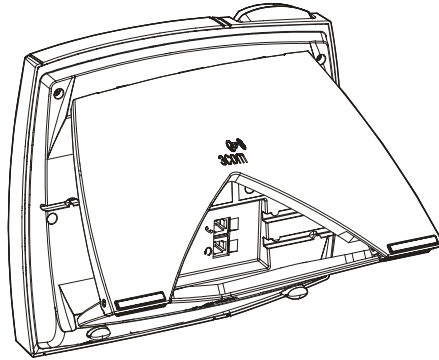


支架与话机后面板接触面，4个角各有一个锁扣，用来将支架安装到话机的后面板上

安装支架

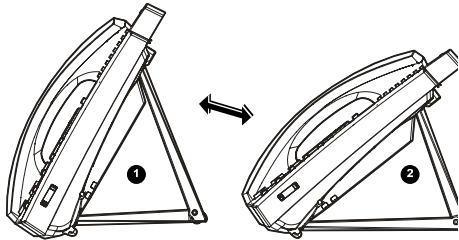


先连接好话机的各条线缆，网线需要穿过支架，然后将支架安装到话机后面板上



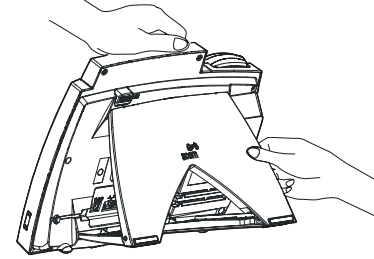
安装完成后，支架应该紧密的与话机后面板相连，4个锁扣已经锁死

调整话机高度



支架有两种安装方式，可以使话机具有两种不同的高度
方式1的话机与桌面的夹角为55度；方式2的话机与桌面的夹角为35度

拆卸支架




拆卸支架时，一只手抓住话机，另一只手抓住支架，然后用力往外拽，即可将支架从话机上拆卸下来



产品中有毒有害物质清单全集

Note: This document contains information required by the People's Republic of China as per their legislation titled "Management Methods for Controlling Pollution by Electronic Information Products".

部件名称 Parts Name	有毒有害物质或元素 Hazardous Substances					
	铅 Pb	汞 Hg	镉 Cd	六价铬 Cr ^{VI}	多溴联苯 PBB	多溴二苯醚 PBDE
金属和塑料部件	×	○	○	○	○	○
印制电路板组件 (PCA)	×	○	○	○	○	○
电缆/电线	×	○	○	○	○	○
电源适配器 	×	○	○	○	○	○
LCD、荧光管	×	○	○	○	○	○

○：表示此部件使用的所有同类材料中此种有毒或有害物质的含量均低于 SJ/T11363-2006 规定的限制要求。
 X：表示此部件使用的至少一种同类材料中，此种有毒或有害物质的含量高于 SJ/T11363-2006 规定的限制要求。
 注：所引用的环保使用期限标记根据产品的正常操作使用条件（如温度和湿度）确定。