

FM Clock Radio

Operating Instructions

ICF-C05iP

DREAM MACHINE

Dream Machine is a trademark of Sony Corporation.



No Power No Problem is a trademark of Sony Corporation.

©2010 Sony Corporation Printed in China <http://www.sony.net/>

Owner's Record

The model number and the serial number are located on the bottom.

Record the serial number in the space provided below. Refer to them whenever you call upon your Sony dealer regarding this product.

Model No. ICF-C05iP

Serial No. _____

For customers who purchased this product in the USA Please register this product on line at <http://www.sony.com/productregistration>. Proper registration will enable us to send you periodic mailings about new products, services, and other important announcements. Registering your product will also allow us to contact you in the unlikely event that the product needs adjustment or modification. Thank you.

WARNING

To reduce the risk of fire or electric shock, do not expose this apparatus to rain or moisture.

To reduce the risk of fire, do not cover the ventilation of the apparatus with newspapers, tablecloths, curtains, etc. And do not place lighted candles on the apparatus.

To reduce the risk of fire or electric shock, do not expose this apparatus to dripping or splashing, and do not place objects filled with liquids, such as vases, on the apparatus.

Do not install the appliance in a confined space, such as a bookcase or built-in cabinet.

Do not expose the batteries (battery pack or batteries installed) to excessive heat such as sunshine, fire or the like for a long time.

As the main plug of AC power adaptor is used to disconnect the AC power adaptor from the mains, connect it to an easily accessible AC outlet. Should you notice an abnormality in it, disconnect it from the AC outlet immediately.

You are cautioned that any changes or modifications not expressly approved in this manual could void your authority to operate this equipment.

CAUTION

Danger of explosion if battery is incorrectly replaced. Replace only with the same type.

NOTE

This equipment has been tested and found to comply with the limits for a Class B digital device, pursuant to Part 15 of the FCC Rules. These limits are designed to provide reasonable protection against harmful interference in a residential installation. This equipment generates, uses and can radiate radio frequency energy and, if not installed and used in accordance with the instructions, may cause harmful interference to radio communications. However, there is no guarantee that interference will not occur in a particular installation. If this equipment does cause harmful interference to radio or television reception, which can be determined by turning the equipment off and on, the user is encouraged to try to correct the interference by one or more of the following measures:

- Reorient or relocate the receiving antenna.
- Increase the separation between the equipment and receiver.
- Connect the equipment into an outlet on a circuit different from that to which the receiver is connected.
- Consult the dealer or an experienced radio/TV technician for help.

WARNING

- Replace the battery for the clock backup with a Sony CR2032 lithium battery only. Use of another battery may present a risk of fire or explosion.
- Battery may explode if mistreated. Do not recharge, disassemble or dispose of in fire.
- Dispose of used battery promptly. Keep away from children.

Important Safety Instructions

- 1) Read these instructions.
- 2) Keep these instructions.
- 3) Heed all warnings.
- 4) Follow all instructions.
- 5) Do not use this apparatus near water.
- 6) Clean only with dry cloth.
- 7) Do not block any ventilation openings. Install in accordance with the manufacturer's instructions.
- 8) Do not install near any heat sources such as radiators, heat registers, stoves, or other apparatus (including amplifiers) that produce heat.
- 9) Do not defeat the safety purpose of the polarized or grounding-type plug. A polarized plug has two blades with one wider than the other. A grounding type plug has two blades and a third grounding prong. The wide blade or the third prong are provided for your safety. If the provided plug does not fit into your outlet, consult an electrician for replacement of the obsolete outlet.
- 10) Protect the power cord from being walked on or pinched particularly at plugs, convenience receptacles, and the point where they exit from the apparatus.
- 11) Only use attachments/accessories specified by the manufacturer.
- 12) Use only with the cart, stand, tripod, bracket, or table specified by the manufacturer, or sold with the apparatus. When a cart is used, use caution when moving the cart/apparatus combination to avoid injury from tip-over.



- 13) Unplug this apparatus during lightning storms or when unused for long periods of time.
- 14) Refer all servicing to qualified service personnel. Servicing is required when the apparatus has been damaged in any way, such as power-supply cord or plug is damaged, liquid has been spilled or objects have fallen into the apparatus, the apparatus has been exposed to rain or moisture, does not operate normally, or has been dropped.

For the state of california, USA only
Perchlorate Material –special handling may apply. See www.dtsc.ca.gov/hazardouswaste/perchlorate
Perchlorate Material: Lithium battery contains perchlorate

Features

- Wake or sleep to iPod/Radio
- FM digital synthesized tuner
- 20 Station Presets (20 FM)
- Brightness Control (High/Mid/Low/Off)
- Extendable Snooze system from 10 to 60 min

Precautions

- Play the unit on the power source specified in "Specifications."
- To disconnect the AC power cord (mains lead), pull it out by the plug, not the cord.
- The unit is not disconnected from the AC power source (mains) as long as it is connected to the wall outlet, even if the unit itself has been turned off.
- Since a strong magnet is used for the speaker, keep personal credit cards using magnetic coding or spring-wound watches away from the unit to prevent possible damage from the magnet.
- Do not leave the unit in a location near a heat source such as a radiator or airduct, or in a place subject to direct sunlight, excessive dust, mechanical vibration, or shock.
- Allow adequate air circulation to prevent internal heat build-up. Do not place the unit on a surface (a rug, a blanket, etc.) or near materials (a curtain) which might block the ventilation holes.
- Should any solid object or liquid fall into the unit, unplug the unit and have it checked by qualified personnel before operating it any further.
- To clean the casing, use a soft cloth dampened with a mild detergent solution.
- Never touch the wire of the external FM antenna during a thunderstorm. Furthermore, immediately disconnect the AC power cord from the radio.

NOTES ON LITHIUM BATTERY

- Wipe the battery with a dry cloth to assure a good contact.
- Be sure to observe the correct polarity when installing the battery.
- Do not hold the battery with metallic tweezers, otherwise a short-circuit may occur.

If you have any questions or problems concerning your unit, please consult your nearest Sony dealer.

Troubleshooting

Should any problem persist after you have made the following checks, consult your nearest Sony dealer.

The clock flashes "AM 12:00" due to a power interruption.

- Check the battery indicator. If the battery indicator is "⏻," replace the battery. Remove the old battery and install a new one.

The radio, iPod or buzzer alarm does not sound at the preset alarm time.

- Check that alarm is properly displayed.

The radio or iPod alarm is activated but no sound comes on at the preset alarm time.

- Check the alarm volume setting.

There is no sound from the iPod.

- Make sure the iPod is securely connected.
- Adjust the **VOLUME +**.

The iPod cannot be operated with this unit.

- Make sure the iPod is securely connected.

The iPod cannot be charged.

- Make sure the iPod is securely connected.

When daylight saving time begins, the clock does not employ the daylight saving time automatically.

- Make sure the clock is set correctly.
- Press **DST/SUMMER TIME** to check that the "⌘" indicator appears.

Specifications

Time display

12-hour system

iPod section

DC out: 5 V

MAX: 500 mA

Radio section

Frequency range

| Band | Frequency | Channel step |
|------|--------------------|--------------|
| FM | 87.5 MHz – 108 MHz | 0.1 MHz |

General

Speaker

Approx. 5 cm (2 inches) dia, cone type, 16 Ω

Power output

0.8 W (at 10 % harmonic distortion)

Power requirements

DC IN 8V (⊕⊖) 1 A

For clock back up: 3V DC, one CR2032 battery

Dimensions

Approx. 134.0 mm × 64.0 mm × 124.5 mm (w/h/d)
(5 ³/₈ inches × 2 ⁵/₈ inches × 5 inches) not including projecting parts and controls

Mass

Approx. 410 g (14.5 oz) including power supply unit

Supplied accessories

AC Power adaptor (1)

Universal dock adaptor for iPhone (1)

Universal dock adaptor for iPhone 3G (1)

Design and specifications are subject to change without notice.

Compatible iPod models

The compatible iPod models are as follows.

Update your iPod to use the latest software before you use it.

iPod nano
5th generation
(video camera)

iPhone 3GS

iPod touch
2nd generationiPod nano
4th generation
(video)

iPhone 3G

iPod touch
1st generationiPod nano
3rd generation
(video)

iPod classic



iPhone

iPod nano
2nd generation
(aluminum)iPod
5th generation
(video)iPod nano
1st generationiPod
4th generation
(color display)iPod
4th generation

iPod mini

Notes

- In these Operating Instructions, "iPod" is used as a general reference to iPod functions on an iPod or iPhone, unless otherwise specified by the text or illustrations.
- The connector of the unit is for sole use with an iPod/iPhone.
- Sony cannot accept responsibility in the event that data recorded to an iPod is lost or damaged when using an iPod connected to this unit.

About the backup battery

To keep accurate time, this unit contains a CR2032 battery inside of the unit as a backup power source.

The battery keeps the clock operating in the event of a power interruption.

Knowing when to replace the battery

When the battery becomes weak, "⏻" appears in the display.

If a power interruption occurs while the battery is weak, the current time and alarm will be initialized.

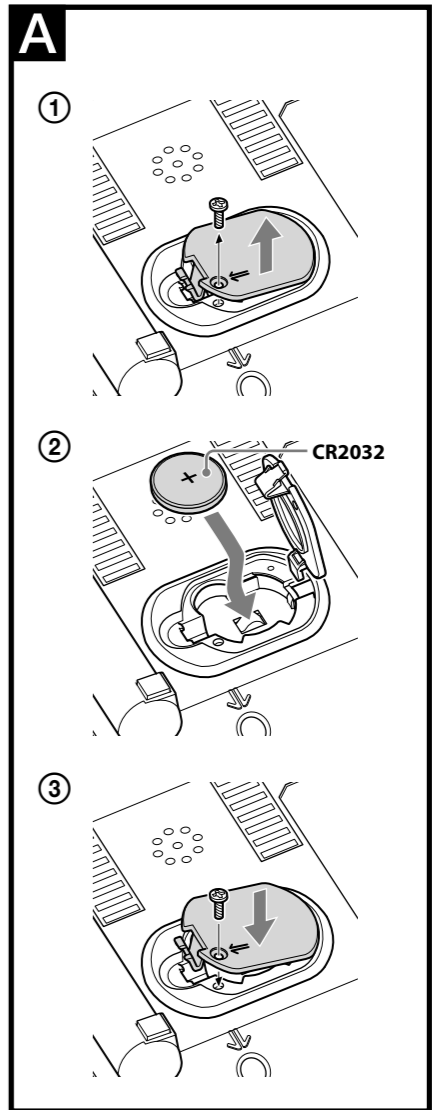
Replace the battery with a Sony CR2032 lithium battery. Use of another battery may cause a fire or explosion.

Replacing the battery

- 1 Keep the AC plug connected to the AC outlet, remove the screw that secures the battery holder at the bottom of the unit using a screwdriver, and remove the battery holder (See fig. **A**-①).
- 2 Replace a new battery in the battery holder with the ⊕ side facing up (See fig. **A**-②).
- 3 Insert the battery holder back into the unit and secure it with the screw (See fig. **A**-③).
- 4 Press **iPod & iPhone ►II, SNOOZE/ BRIGHTNESS** or **FM** to turn "⏻" off in the display.

Note

When you replace the battery, do not disconnect the AC power adaptor from the unit. Otherwise, current time, alarm and station presets will be initialized.

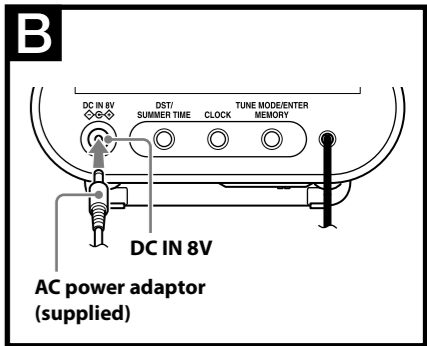


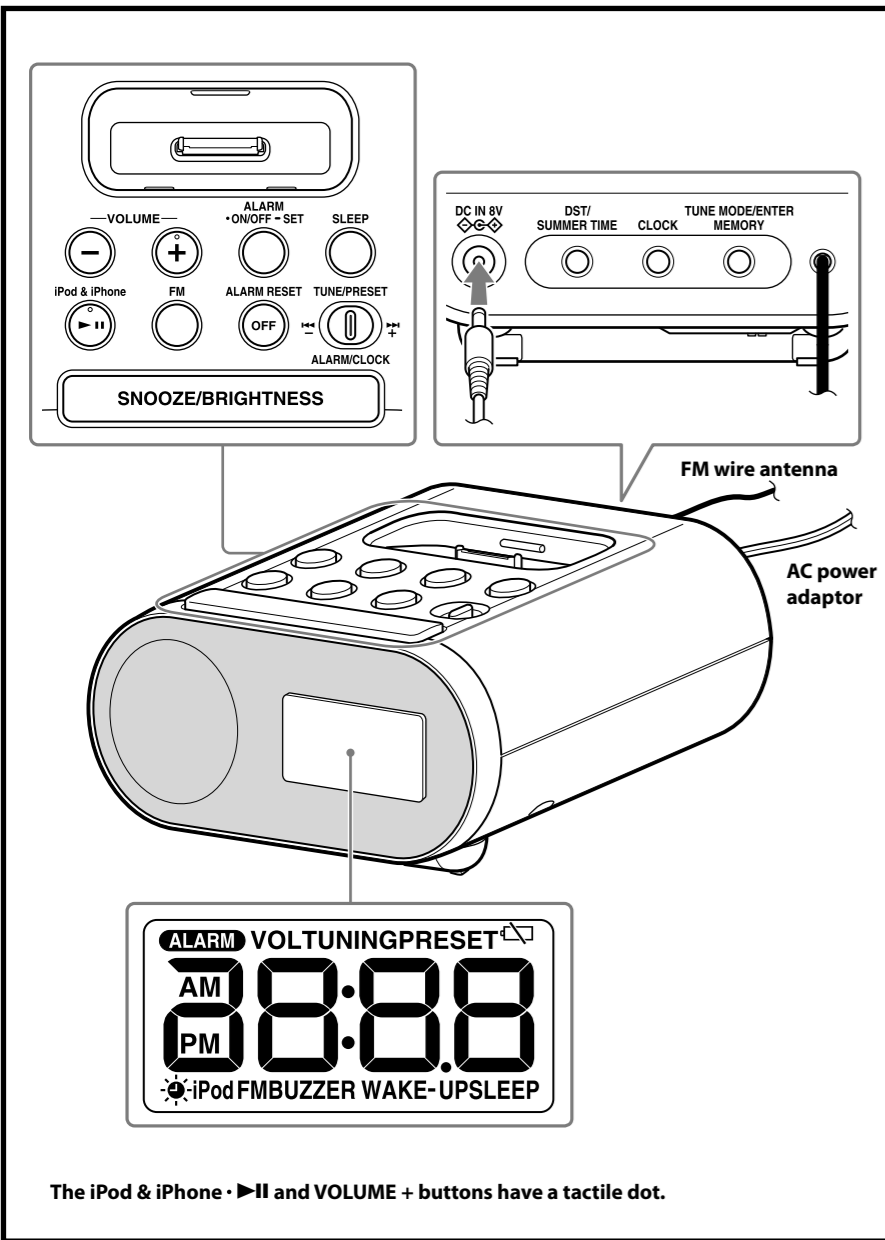
Using House Current (See fig. B)

Use only the AC power adaptor supplied. Do not use any other AC power adaptor. It may cause a malfunction.

On the AC power adaptor

- Use the supplied AC power adaptor only. The polarity of the plugs of other manufacturers may be different. Failure to use the supplied AC power adaptor may cause the unit to malfunction.
- Do not touch the AC power adaptor with wet hands.
- Connect the AC power adaptor to an easily accessible AC outlet. Should you notice an abnormality in the AC power adaptor, disconnect it from the AC outlet immediately.





The iPod & iPhone • ►II and VOLUME + buttons have a tactile dot.

Setting the clock

- 1 Plug in the unit.
- 2 Press and hold **CLOCK** until the hour flashes in the display. The hour starts to flash in the display.
- 3 Press **ALARM/CLOCK +** or **-** repeatedly to set the hour.
- 4 Press **CLOCK**.
- 5 Repeat steps 3 and 4 to set the minute, and then press **CLOCK**. The seconds start incrementing from zero.

Notes

- If you do not press any button for about 1 minute while setting the clock, the clock setting will be canceled.
- When pressing any of the rear buttons, hold the unit firmly to prevent slippage.

To change the display to the daylight saving time (summer time) indication
Change the daylight saving time (summer time) adjustment setting according to the following procedures.

Press **DST/SUMMER TIME**. “*” appears in the display and the time indication changes to the daylight saving time (summer time).
To deactivate the daylight saving time (summer time) adjustment, press **DST/SUMMER TIME** again. “*” disappears.

Setting the brightness of the display

Four levels of brightness are available by pressing **SNOOZE/BRIGHTNESS**.

High (default) → Middle → Low → Off

Playing the radio

There are two ways to tune.
To switch between the two tuning methods (manual tuning or preset), press **TUNE MODE/ENTER • MEMORY**.

Preset tuning

You can preset 20 stations for FM.

- 1 Press **FM** to turn on the radio.
- 2 Press and hold **FM** until “AP” appears in the display.
- 3 Press **TUNE MODE/ENTER • MEMORY**. The unit automatically presets the available channels in order.

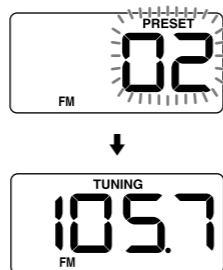
If a station cannot be preset automatically

You need to preset a station with a weak signal manually.

Check that the manual mode is selected.

- 1 Follow steps 1 and 2 in “Manual tuning” to tune the frequency you wish to preset.
- 2 Press and hold **TUNE MODE/ENTER • MEMORY** for preset number until the flashes.
- 3 Press **TUNE/PRESET ◀◀** or **▶▶** to select the preset number, then press **TUNE MODE/ENTER • MEMORY**. The frequency is stored with the selected preset number.

Example: The following display appears when you preset FM 105.7 MHz to preset number 2 for FM.



The display shows the frequency for about 10 seconds, and then returns to the current time.

To preset another station, repeat these steps.

Note

If you try to store another station with the same preset number, the previously stored station will be replaced.

Tuning in to a preset station

Check that the preset mode is selected.

- 1 Press **FM** to turn on the radio.
- 2 Press **TUNE/PRESET ◀◀** or **▶▶** to select the desired preset number.
- 3 Adjust the volume using **VOLUME +** or **-**.

Manual tuning

Check that the manual mode is selected.

- 1 Press **FM** to turn on the radio.
- 2 Press **TUNE/PRESET ◀◀** or **▶▶** to tune in to a desired frequency.
- 3 Adjust the volume using **VOLUME +** or **-**.

Tuning in to a station

The unit automatically scan FM stations. Check that the manual mode is selected.

- 1 Press **FM** to turn on the radio.
- 2 Press and hold **TUNE/PRESET ◀◀** or **▶▶**.
▶▶ : scans upward through the frequency bands.
◀◀ : scans downwards through the frequency bands.
Scanning starts from the currently-tuned frequency. When a station is received, scanning stops.
- 3 Adjust the volume using **VOLUME +** or **-**.

Improving the reception

FM: Extend the FM wire antenna fully to increase reception sensitivity.

Notes on radio reception

- Keep digital music players or mobile phones away from the FM antenna, as this may lead to reception interference.
- When you are listening to the radio with an iPhone connected to the unit, interference with radio reception may occur.
- When you are listening to the radio while charging an iPod, interference with radio reception may occur.
- Do not place the FM antenna close to the AC power adaptor as noise may result.

Playing an iPod

You can enjoy iPod audio by connecting to this unit. To use an iPod, refer to the user’s guide of your iPod.

If you are using an iPhone or iPhone 3G, attach the supplied universal dock adaptor for iPhone or iPhone 3G before inserting into the connector. The adaptor number, ⑫ or ⑬, is shown on the bottom-rear of the supplied universal dock adaptors. ⑫ is for the iPhone, and ⑬ is for the iPhone 3G. Check the adaptor number before use.

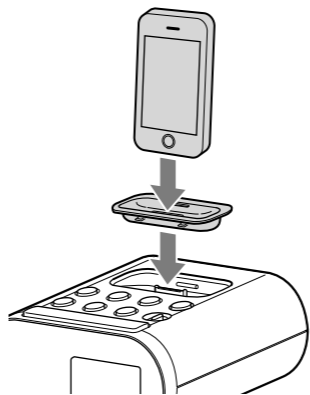
Universal dock adaptor



Notes

- When inserting an iPod into the unit, be sure to use the universal dock adaptor supplied with your iPod or commercially available from Apple Inc.
- The connector of the unit is exclusively for use with an iPod.
- Sony cannot accept responsibility in the event that data recorded on an iPod is lost or damaged when using an iPod connected to this unit.
- For details of environmental conditions for operating your iPod, check the website of Apple Inc.

- 1 Attach the adaptor for your iPod/iPhone.
- 2 Insert your iPod/iPhone into the connector of the unit.



- 3 Press **iPod & iPhone • ►II**. The iPod begins to play automatically. You can operate the connected iPod by this unit or the iPod buttons.
- 4 Adjust the volume using **VOLUME +** or **-**.

| To | Press |
|---|---|
| Turn off the iPod | OFF , or press and hold iPod & iPhone • ►II |
| Pause playback | iPod & iPhone • ►II To resume play, press it again. |
| Go to the next track | ▶▶ |
| Go back to the previous track | ◀◀ * |
| Locate a point while listening to the sound | ▶▶ (forward) or ◀◀ (backward) while playing and hold it until you find the point. |
| Locate a point while observing the display | ▶▶ (forward) or ◀◀ (backward) in pause and hold it until you find the point. |

* During playback, this operation goes back to the beginning of the current track. To go back to the previous track, press twice.

Notes

- When placing or removing the iPod, hold the iPod at the same angle as that of the connector on this unit, and do not twist or bend the iPod as connector damage may result.
- Do not carry the unit with an iPod set on the connector. Doing so may cause a malfunction.
- When placing or removing the iPod, hold the iPod firmly so as not to topple the unit.
- Before disconnecting the iPod, pause playback.

To use the unit as a battery charger

You can use the unit as a battery charger. Charging begins when the iPod is connected to the unit. Charging status appears in the iPod display. For details, see the user’s guide of your iPod.

On copyrights

- iPod is a trademark of Apple Inc., registered in the U.S. and other countries.
- iPhone is a trademark of Apple Inc.
- All other trademarks and registered trademarks are of their respective holders. In this manual, ™ and ® marks are not specified.
- “Made for iPod” means that an electronic accessory has been designed to connect specifically to iPod and has been certified by the developer to meet Apple performance standards.
- “Works with iPhone” means that an electronic accessory has been designed to connect specifically to iPhone and has been certified by the developer to meet Apple performance standards.
- Apple is not responsible for the operation of this device or its compliance with safety and regulatory standards.

Setting the alarm

This clock radio is equipped with 3 alarm modes—iPod, radio and buzzer. Before setting the alarm, make sure to set the clock (see “Setting the clock”).

To set the alarm

- 1 Press and hold **ALARM - SET**. “WAKE-UP” appears, and the hour flashes in the display.
- 2 Press **ALARM/CLOCK +** or **-** repeatedly until the desired hour appears. To cycle the hour rapidly, press and hold **ALARM/CLOCK +** or **-**.
- 3 Press **ALARM • ON/OFF**. The minute flashes.
- 4 Repeat step 2 to set the minute.
- 5 Press **ALARM • ON/OFF**. The alarm mode setting is entered.
- 6 Press **ALARM/CLOCK +** or **-** repeatedly until the desired alarm mode flashes. You can choose one of 3 settings: “iPod”, “FM” or “BUZZER”. Set the alarm mode as follows:
– iPod: see “[A] Setting the iPod alarm.”
– FM: see “[B] Setting the radio alarm.”
– BUZZER: see “[C] Setting the buzzer alarm.”

[A] Setting the iPod alarm

- 1 Perform steps 1 to 6 in “To set the alarm.”
- 2 Press **ALARM • ON/OFF** to select “iPod” alarm mode. “VOL” appears in the display.
- 3 Press **ALARM/CLOCK +** or **-** to adjust the volume.
- 4 Press **ALARM • ON/OFF**. The setting is entered.
- 5 If “ALARM” does not appear in the display, press **ALARM • ON/OFF** again. The iPod will sound at the set time.

When using an iPod touch/iPhone

- To wake up to music stored in an iPod touch/iPhone, connect the iPod touch/iPhone to the unit first, follow the steps above to set alarm time, and then select the music function.
- Even if the iPod alarm setting is complete, if you turn the iPod touch/iPhone power off before the unit, the iPod alarm will not work.

[B] Setting the radio alarm

- 1 Perform steps 1 to 6 in “To set the alarm.”
- 2 Press **ALARM • ON/OFF** to select “FM” alarm mode. “FM”, “PRESET” number or “- -” flashes. “- -” is the last station received.
- 3 Press **ALARM/CLOCK +** or **-** to select the desired preset number or “- -”.
- 4 Press **ALARM • ON/OFF**. “VOL” appears in the display.
- 5 Press **ALARM/CLOCK +** or **-** to adjust the volume.
- 6 Press **ALARM • ON/OFF**.
- 7 If “ALARM” does not appear in the display, press **ALARM • ON/OFF** again. The radio will turn on at the set time.

[C] Setting the buzzer alarm

- 1 Perform steps 1 to 6 in “To set the alarm.”
- 2 Press **ALARM • ON/OFF** to select “BUZZER” alarm mode. The setting is entered.
- 3 If “ALARM” does not appear in the display, press **ALARM • ON/OFF** again. The buzzer will sound at the set time.

Note

The volume cannot be set for the buzzer alarm.

To confirm an alarm time setting

Turn off the “ALARM” indicator in the display, and press the **ALARM • ON/OFF** button once.

To change an alarm setting

Set the alarm again.

To doze for a few more minutes

Press **SNOOZE/BRIGHTNESS**. The sound turns off but will automatically come on again after about 10 minutes. You can change the snooze time by pressing **SNOOZE/BRIGHTNESS** repeatedly within 4 seconds. The maximum length of the snooze time is 60 minutes.

To stop the alarm

Press **ALARM RESET • OFF** to turn off the alarm. The alarm will sound again at the same time the next day.

To deactivate the alarm

Press **ALARM • ON/OFF** to turn off the “ALARM” indicator from the display.

Note on the alarm in the event of a power interruption

In the event of a power interruption, the alarm will work until the battery is totally discharged. However, certain functions will be affected as follows:

- The backlight will not light up.
- If the alarm mode is set to iPod or radio, it will change to BUZZER automatically.
- If a power interruption occurs while the alarm is sounding, the alarm will stop.
- If **ALARM RESET • OFF** is not pressed, the alarm will sound for about 5 minutes.
- If “⏏” appears in the display, the alarm will not sound in the event of power interruption. Replace the battery if “⏏” appears.
- The snooze function will not work.
- During a power interruption, the alarm will sound at the set time only once.

Setting the sleep timer

You can fall asleep to the music, etc., using the built-in sleep timer that turns off the unit automatically after a preset duration.

- 1 Press **SLEEP** while the unit is turned on. “SLEEP” appears and the sleep time flashes in the display.
- 2 Press **SLEEP** to set the sleep timer duration. Each time you press **SLEEP**, the duration (in minutes) changes as follows:
90 → 60 → 30 → 15
OFF ←

The display returns to clock mode for about 4 seconds after you have finished the duration setting and released **SLEEP**, and then the sleep timer starts. The unit will play for the duration you set, and then shut off.

To turn off the unit before the preset time

Press **ALARM RESET • OFF**.

To change the sleep timer setting

You can press **SLEEP** repeatedly to select the desired sleep timer setting even after the sleep timer has been activated.

To deactivate the sleep timer

Press **SLEEP** repeatedly to set the sleep timer to “OFF” in step 2.