



## T1700-LED

### Quick Setup Guide

Thank you for your purchase of the T1700-LED™, one of the best-known LCD consoles in the current market. The Raritan T1700-LED solution is an integrated, 1U device that manages servers or KVM in data centers, server rooms and other space critical environments - directly from the racks where they are installed.

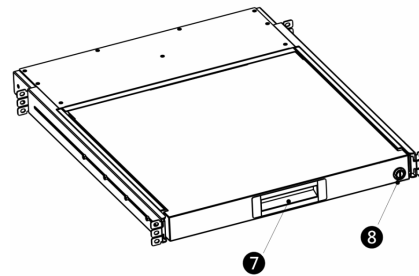
This Quick Setup Guide explains how to install and configure the T1700-LED. For additional information on any aspect of T1700-LED, see the T1700-LED User Guide, which can be downloaded from the Firmware and Documentation section (<http://www.raritan.com/support/firmware-and-documentation/>) of Raritan's website, or access the product's online help in the Product Online Help section (<http://www.raritan.com/support/online-help/>).

### Package Content

The T1700-LED comes with standard parts shown below. Check and make sure they are included and in good condition. If anything is missing or damaged, contact Raritan or the local vendor immediately.

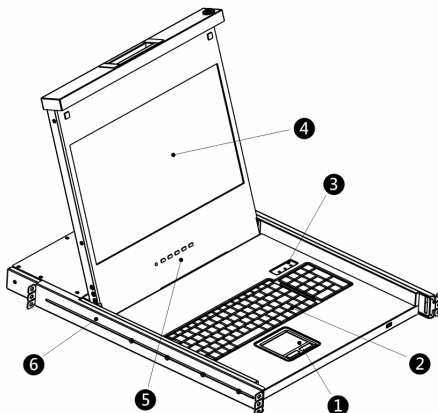
- T1700-LED LCD console
- Rackmount brackets
  - \* Mounting depth adjustable from 500 to 688 mm
- 3-in-1 KVM cable (VGA, USB, PS/2)
- DVI cable
- Quick Setup Guide
- Warranty card
- Power cord
- Drawer key (to unlock the console)

1. Touchpad
2. Keyboard
3. Indicators for Num Lock, Caps Lock and Scroll Lock status
4. LCD monitor
5. OSD buttons and indicator lamp
6. Adjustable mounting brackets



7. Ergonomic concave handle
8. Lock

### Structure Diagram

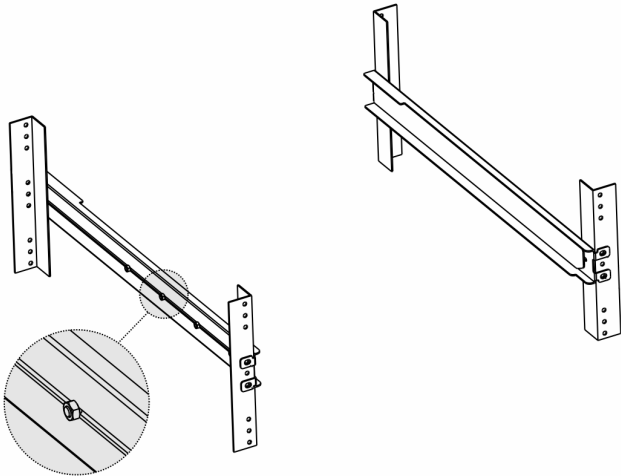


### Before Installation

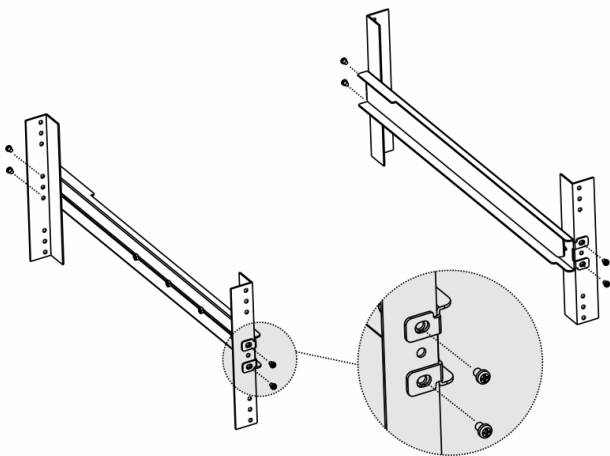
- It is very important to locate the T1700-LED in a suitable environment.
- The surface for placing and fixing the T1700-LED should be stable and level or mounted into a suitable cabinet.
- Make sure the place has good ventilation, is out of direct sunlight, away from sources of excessive dust, dirt, heat, water, moisture, and vibration.
- Convenience for connecting the T1700-LED to the related facilities should be well considered too.

## Installation

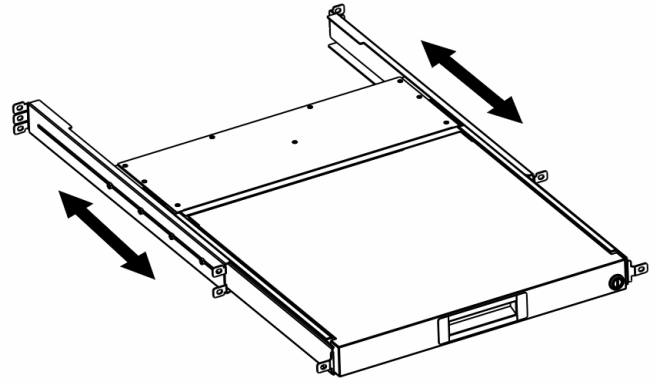
1. Slightly loosen the fasteners on the brackets, adjust the length of the brackets to match the mounting depth of the rack, and then tighten the fasteners.



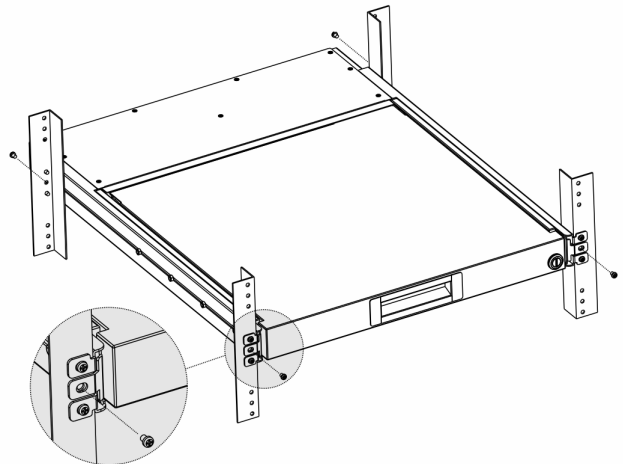
2. Fastens the brackets to the rack rails securely with your own screws or cage nuts.



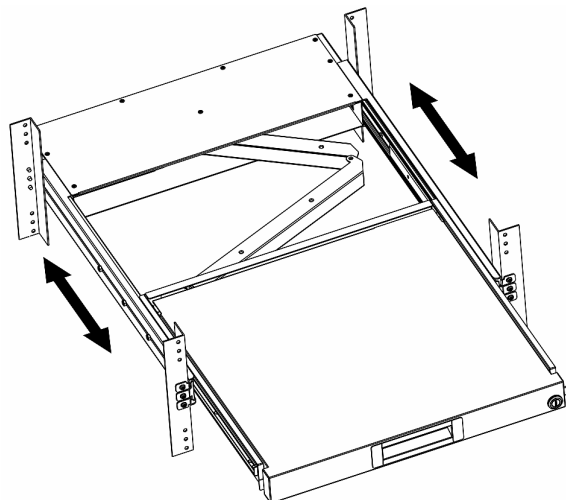
3. Slide the T1700-LED LCD console between the brackets as shown below.



4. Fasten the T1700-LED to the rack.



The diagram below illustrates how the T1700-LED moves between the brackets.



## Connecting a Server or KVM Switch

The T1700-LED can be connected to either a KVM (keyboard/video/mouse) switch or a server.

Always use the Raritan-provided 3-in-1 cable to make the connection. A DVI cable is also required if the server's video port is a DVI port or if you prefer using the DVI port.

### Connection to a KVM Switch

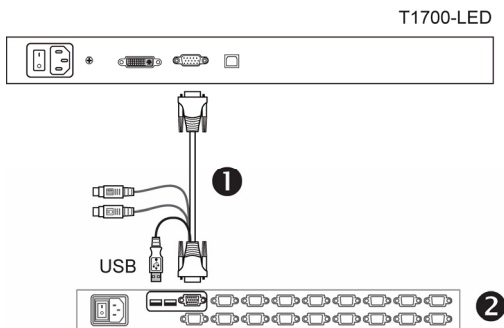
You can make a connection to any KVM switch via USB or PS/2 as illustrated below. Then use the T1700-LED to access the KVM switch and the equipment connected to the KVM switch.

Do NOT connect both USB and PS/2 connectors to the KVM switch simultaneously.

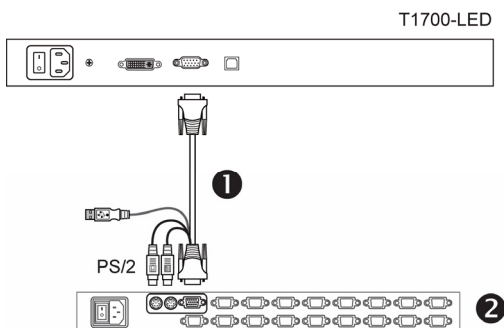
If connecting Raritan's MCCAT28/216 KVM switch, the T1700-LED only supports the PS/2 connection.

**Warning:** The T1700-LED does NOT support Raritan's MasterConsole II (MCC) KVM switch so do not connect any MCC device to it.

#### ▶ USB connection



#### ▶ PS/2 connection



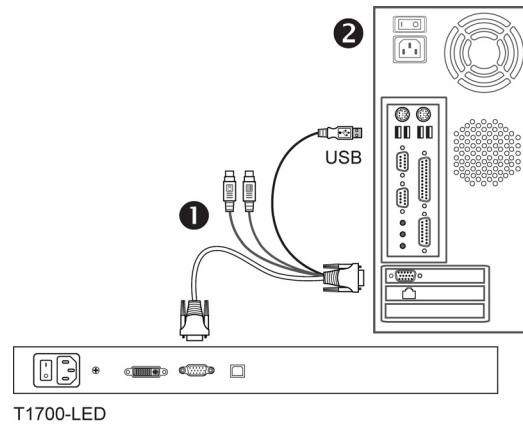
1	3-in-1 KVM cable
2	KVM switch

### Connection to a Server

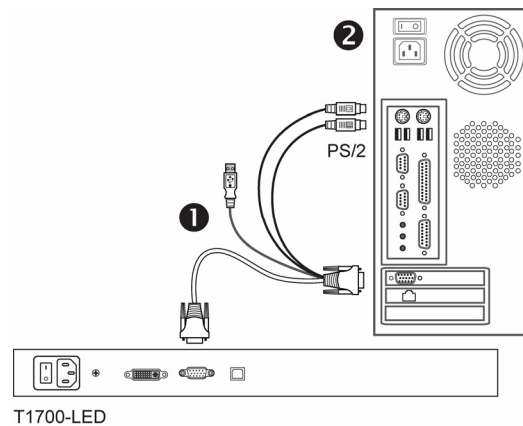
You can make a connection to any server via USB, PS/2 or a combination of DVI and USB or PS/2 interface.

Do NOT connect both USB and PS/2 connectors to the server simultaneously.

#### ▶ USB connection

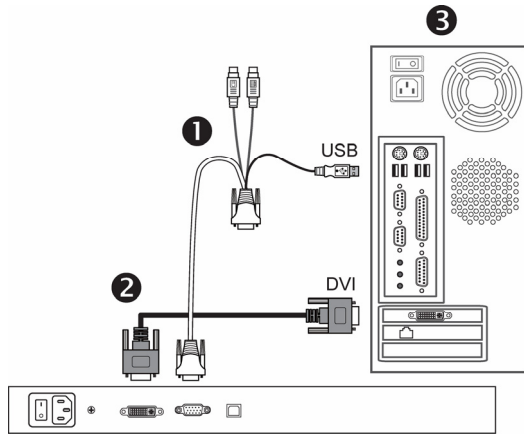


#### ▶ PS/2 connection



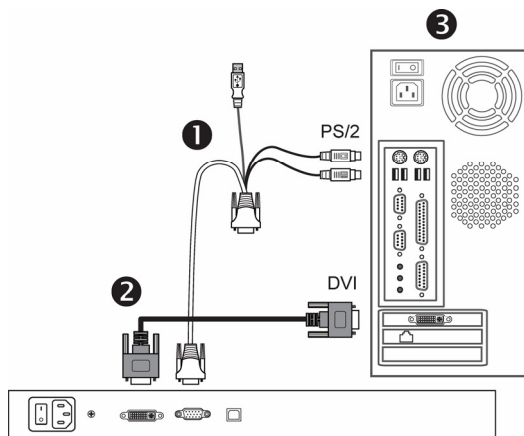
1	3-in-1 KVM cable
2	Server

► **Connections via DVI and USB or PS/2**



T1700-LED

-- OR --



T1700-LED

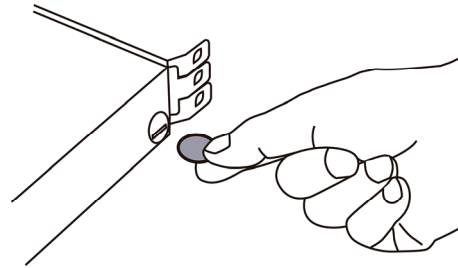
❶	3-in-1 KVM cable
❷	DVI cable
❸	Server

Tip: If both DVI and VGA ports are available on the server, you may make connections to both ports, and then press the DOWN/SOURCE button to switch between different video sources.

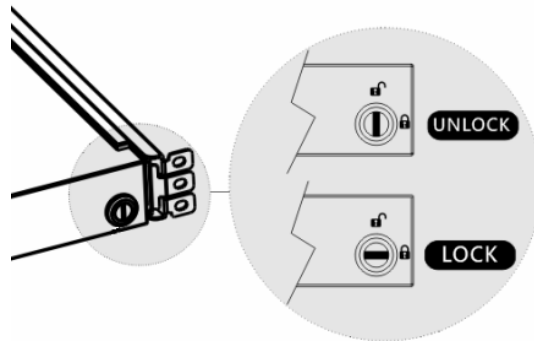
**Locking or Unlocking the T1700-LED**

The T1700-LED has a lock to the right side. When locked, you cannot draw this product out of the rack.

Use the drawer key or a coin-shaped object to turn the lock.



- To unlock this product, turn the lock counterclockwise.
- To lock this product, turn the lock clockwise.



**Adjusting the Video Settings**

The OSD menu controls the video quality. Use the buttons on the LCD panel to fine tune the LCD display settings.

► **To auto tune the LCD display:**

1. If the integrated LCD panel is not switched on, press POWER.
2. Press UP/AUTO. An 'Auto Adjusting' message appears, indicating that video settings are being fine tuned.

► **To manually fine tune the LCD display:**

1. Press MENU. The OSD menu appears.
2. Press UP/AUTO and DOWN/SOURCE to select the desired setting or option.
3. Press MENU to confirm your selection or changes.
4. After making necessary changes, press EXIT to quit the current setting page or close the OSD menu.

**Additional Information**

For more information about the T1700-LED™ and the entire Raritan product line, see Raritan's website ([www.raritan.com](http://www.raritan.com)). For technical issues, contact Raritan Technical Support. See the Contact Support page in the Support section on Raritan's website for technical support contact information worldwide.