



LIVE GAMER *ULTRA*

GC553



English	Nederlands
Deutsch	Magyar
Español	Türkçe
Français	Русский
Italiano	ภาษาไทย
Português	繁體中文
Polski	简体中文
Čeština	한국어

QUICK GUIDE

Disclaimer

All pictures contained in this documentation are example images only. The images may vary depending on the product and software version. Information presented in this documentation has been carefully checked for reliability; however, no responsibility is assumed for inaccuracies. The information contained in this documentation is subject to change without notice.

Copyright and Trademark Information

© 2018 by AVerMedia Technologies, Inc. All rights reserved. No part of this publication, in whole or in part, may be reproduced, transmitted, transcribed, altered or translated into any language in any form by any means without the written permission of AVerMedia Technologies, Inc. Information and specification contained in this manual are subject to change without notice and do not represent a commitment on the part of AVerMedia.

For more information, please visit www.avermedia.com.

AVerMedia and RECentral are trademarks or registered trademarks of AVerMedia Technologies, Inc.

Headquarters

Address No.135, Jian 1st Rd., Zhonghe Dist., New Taipei City 23585, Taiwan
Website www.avermedia.com
Support www.avermedia.com/gaming/technical_support
Telephone +886-2-2226-3630

US Office

Address 47358 Fremont Blvd., Fremont, CA 94538, United States
Website www.avermedia-usa.com
Telephone +1 (510) 403 0006

Head Office EU (AVT Solutions GmbH)

Address Hanauer Landstrasse 291 B, 60314 Frankfurt Hessen, Germany
Website www.avermedia.com/gaming/inquiry

國際總部

地址 23585 新北市中和區建一路 135 號
網址 www.avermedia.com
支援 www.avermedia.com/gaming/contact_us
電話 +886-2-2226-3630

中国子公司

地址 上海市静安区武宁南路 488 号智慧广场 1510 室
网址 www.avermedia.com.cn
电话 +86-21-52987985

Important Safety Instructions

1. Read these instructions.
2. Keep these instructions.
3. Follow all instructions.
4. Heed all warnings.
5. Do not use the apparatus on uneven or unstable surfaces.
6. Do not use this apparatus in a wet environment or near water.
7. Unplug the apparatus before cleaning. Clean only with a dry cloth.
8. Use in a well ventilated environment. Do not block any ventilation openings.
9. Use the apparatus within ambient temperatures 32 - 104°F (0 - 40°C).
10. Use power sources within the specified voltage range.
11. Do not place heavy objects on the apparatus.
12. Do not install near heat sources such as radiators or stoves.
13. Do not defeat the safety purposes of the polarized or grounding-type plug.
14. Protect the power cord from being walked on or pinched, particularly where the cord connects with plugs or adapters.
15. Only use the attachments and accessories specified by the manufacturer.
16. Unplug this apparatus during lightning or when unused for prolonged periods of time.
17. Do not modify or disassemble the apparatus in any way.
18. Refer all servicing to AVerMedia Customer Service.
19. Do not dispose of the apparatus as general household waste. Dispose in accordance with local environmental laws.

重要安全說明

1. 仔細閱讀這些說明。
2. 妥善保存這些說明。
3. 遵守所有的指示。
4. 注意所有的警告。
5. 請勿將本產品安裝於不平穩的表面。
6. 請勿在潮濕或靠近水的地方使用本產品。
7. 清潔前請拔除電源。僅使用乾布清潔。
8. 請於通風的環境使用本產品。請勿堵住通風口。
9. 請於規格溫度範圍 32 - 104°F (0 - 40°C) 使用本產品。
10. 請使用額定電壓範圍內的電源。
11. 請勿放置重物於本產品上。
12. 請勿安裝於熱源附近如暖器或火爐旁。
13. 請勿破壞極性或接地插頭的安全防護設計。
14. 請保護電源線。勿使其被踩踏或碾壓。特別是與插頭或變壓器的連接處。
15. 僅使用製造商指定的配件及零件。
16. 打雷或長時間不使用時請拔除電源。
17. 請勿以任何方式改造或拆解本產品。
18. 如需維修請洽本公司客服人員。
19. 請勿當作家庭垃圾任意丟棄請遵從當地環境法規妥善處理。

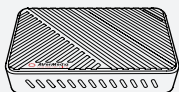
重要安全说明

1. 仔细阅读这些说明。
2. 妥善保存这些说明。
3. 遵守所有的指示。
4. 注意所有的警告。
5. 请勿将本产品安装于不平稳的表面。
6. 请勿在潮湿或靠近水的地方使用本产品。
7. 清洁前请拔除电源。仅使用干布清洁。
8. 请于通风的环境使用本产品。请勿堵住通风口。
9. 请于规格温度范围 32-104°F (0-40°C) 使用本产品。
10. 请使用额定电压范围内的电源。
11. 请勿放置重物于本产品上。
12. 请勿安装于热源附近如暖器或火炉旁。
13. 请勿破坏极性 or 接地插头的安全防护设计。
14. 请保护电源线，勿使其被踩踏或碾压，特别是与插头或变压器的连接处。
15. 仅使用制造商指定的配件及零件。
16. 打雷或长时间不使用时请拔除电源。
17. 请勿以任何方式改造或拆解本产品。
18. 如需维修请洽本公司客服人员。
19. 请勿当作家庭垃圾任意丢弃。请遵从当地环境法规妥善处理。

PREPARATION

Inside the Box

Check that all these items are included.



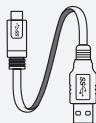
Live Gamer ULTRA



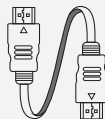
Quick Guide



PowerDirector 15
Product Key Card



USB 3.1
Type-C to Type-A Cable



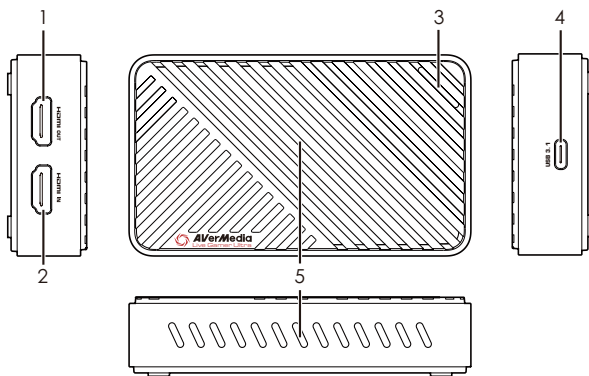
HDMI 2.0 Cable

RECentral

RECentral is the default streaming/recording software designed for Live Gamer capture cards.

Download it from: q.avermedia.com/gc553-RECentral

Parts and Ports



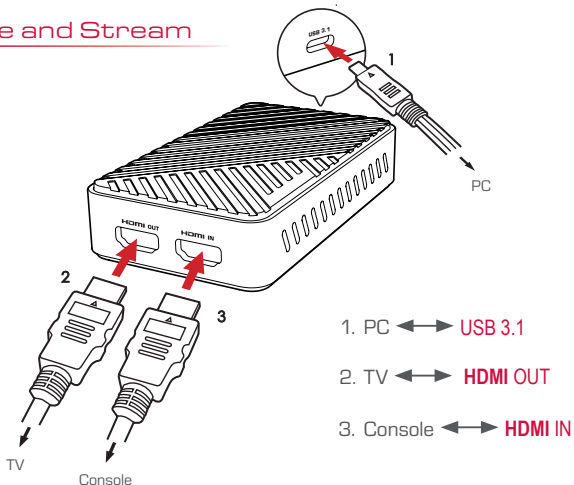
1	HDMI Output	4	USB 3.1 Type-C Port
2	HDMI Input	5	Air Vents
3	LED Indicator		

LED INDICATIONS

Solid Blue	Ready
Slow Flashing Red	Recording
Slow Flashing Blue	Streaming
Fast Flashing Red	Disk Almost Full
Solid Red	Disk Full Error: Streaming / Recording Stopped
Flashing Green	Error: Connected to USB 2.0
Flashing Red	Error: Device Anomaly

INSTALLATION

Capture and Stream



SPECIFICATIONS

Interface	USB 3.1 (Gen 1) Type-C
Input & Output (Pass-Through)	HDMI 2.0
Capture Resolution	2160p30/1440p60/1080p120 (max)
Supported Resolution	2160p, 1440p, 1080p, 1080i, 720p, 576p, 480p
Pass-Through Resolution	2160p60 HDR/1440p144/1080p240 (max)
Record Format	MPEG 4 (H.264 + AAC) or (H.265 + AAC)*
Dimensions (W x D x H)	112.6 x 66.2 x 26 mm
Weight	116 g

* H.265 compression is supported by RECentral

Note: Specifications are subject to change without notice. Please refer to our website for the latest details.

ERSTE SCHRITTE

Paketinhalt

Vergewissern Sie sich, dass alle diese Elemente beiliegen.

- Live Gamer ULTRA
- Schnellanleitung
- PowerDirector 15 Produktschlüsselkarte
- USB 3.1 Typ-C-zu-Typ-A-Kabel
- HDMI-2.0-Kabel

RECentral

RECentral ist die Standard Streaming-/Aufnahme Software designed für Live Gamer Capture Karten.
Download hier: g.vermedia.com/gc553-recentral

Teile und Anschlüsse

1. HDMI-Ausgang
2. HDMI-Eingang
3. LED-Meldeleuchte
4. USB 3.1-Stromanschluss
5. Entlüftungsöffnungen

LED-ANZEIGEN

- Dauerhaft blau: Bereit
- Langsam rot blinkend: Aufzeichnung
- Langsam blau blinkend: Streaming
- Schnelles rot blinken: Festplatte fast voll
- Stetig rot: Festplatte voll / Fehler: Streaming oder Aufnahme angehalten
- Blinkt grün: Fehler: Angeschlossen an USB 2.0
- Blinkt rot: Fehler: Geräteanomalie

INSTALLATION

Erfassen und streamen

1. PC \longleftrightarrow USB 3.1
2. TV \longleftrightarrow HDMI OUT
3. Konsole \longleftrightarrow HDMI IN

PREPARACIÓN

Dentro de la caja

Revisa que todos estos componentes están incluidos.

- Live Gamer ULTRA
- Guía Rápida
- Licencia PowerDirector 15
- USB 3.1 Cable Type-C a Type-A
- Cable HDMI 2.0

RECentral

RECentral es el software de grabación/streaming diseñado para las capturadoras Live Gamer.
Descárgalo desde aquí: g.vermedia.com/gc553-recentral

Partes y Puertos

1. Salida HDMI
2. Entrada HDMI
3. Indicador LED
4. Puerto USB 3.1
5. Salidas de Aire

INDICACIONES LED

- Azul Fijo: Listo
- Parpadeo Lento Rojo: Grabando
- Parpadeo Lento Azul: Streaming
- Rápido Parpadeo Luz Roja: Disco Casi Lleno
- Luz Roja: Disco Lleno / Error : Transmisión o Grabación Parada
- Parpadeo Luz Verde: Error: Conectado a USB 2.0
- Parpadeo Luz Roja: Error: Problema en el Dispositivo

INSTALACIÓN

Captura y Stream

1. PC \longleftrightarrow USB 3.1
2. TV \longleftrightarrow HDMI OUT
3. Consola \longleftrightarrow HDMI IN

PRÉPARATION

A l'intérieur de la Boîte

Veuillez vérifier que tous les éléments sont inclus.

- Live Gamer ULTRA
- Guide de démarrage rapide
- Clé de produit PowerDirector 15
- Câble USB 3.1 Type-C vers Type-A
- Câble HDMI 2.0

RECentral

RECentral est le logiciel de streaming/enregistrement conçu pour les cartes Live Gamer:

Téléchargez-le depuis: g.avermedia.com/gc553-recentral

Éléments et Connectique

1. Sortie HDMI
2. Entrée HDMI
3. Indicateur LED
4. Port d'Alimentation USB 3.1
5. Grille d'Aération

CHARTE DES DIODES LED

- Bleu Fixe: Prêt
- Clignotement Lent Rouge: Enregistrement en cours
- Clignotement Lent Bleu: Streaming en cours
- Clignotement Rouge Rapide: Mémoire presque remplie
- Rouge Fixe: Mémoire remplie / Erreur: Streaming ou Enregistrement arrêté
- Clignotement Vert: Erreur: Connecté à un port USB 2.0
- Clignotement Rouge: Erreur: Problème avec la carte de capture

INSTALLATION

Acquisition Vidéo et Streaming

1. PC ↔ USB 3.1
2. TV ↔ HDMI OUT
3. Console ↔ HDMI IN

PREPARAZIONE

All'interno della confezione

Controllare che siano inclusi tutti questi articoli.

- Live Gamer ULTRA
- Guida rapida
- Scheda chiave prodotto PowerDirector 15
- Cavo USB 3.1 da tipo C a tipo A
- Cavo HDMI 2.0

RECentral

RECentral è il software predefinito per lo streaming / la registrazione progettato per schede di cattura dal vivo per i videogiochi. Scaricalo da: g.avermedia.com/gc553-recentral

Parti e componenti

1. Uscita HDMI
2. Ingresso HDMI
3. Indicatore LED
4. Porta USB 3.1 alimentata
5. Prese d'aria

INDICAZIONI LED

- Blu fisso: Pronto
- Rosso lampeggiante lento: Registrazione
- Blu lampeggiante lento: Streaming
- Rosso lampeggiante veloce: Disco quasi pieno
- Rosso fisso: Disco pieno / Errore: trasmissione e registrazione interrotta
- Verde lampeggiante: Errore: collegato a USB 2.0
- Rosso lampeggiante: Errore: anomalia del dispositivo

INSTALLAZIONE

Cattura e trasmetti in Streaming

1. PC ↔ USB 3.1
2. TV ↔ HDMI OUT
3. Console ↔ HDMI IN

PREPARAÇÃO

Dentro da caixa

Verifique se todos estes itens estão incluídos.

- Live Gamer ULTRA
- Guia de início rápido
- Cartão de chaves de produto PowerDirector 15
- Cabo USB 3.1 Tipo C para Tipo A
- Cabo HDMI 2.0

RECentral

RECentral é o software de transmissão/gravação predefinido concebido para placas de captura Live Gamer:

Transfira a partir de: q.avermedia.com/gc553-recentral

Partes e Portas

1. Saída HDMI
2. Entrada HDMI
3. Indicador LED
4. Porta USB 3.1
5. Saídas de ar

INDICAÇÕES DO LED

- Azul fixo: Pronto
- Vermelho intermitente lento: A gravar
- Azul intermitente lento: A transmitir
- Vermelho de intermitência rápida: Disco quase cheio
- Vermelho fixo: Disco cheio / Erro: Transmissão ou gravação parada
- Verde intermitente: Erro: Ligado a USB 2.0
- Vermelho intermitente: Erro: Anomalia do dispositivo

INSTALAÇÃO

Captura e Transmissão

1. PC \longleftrightarrow USB 3.1
2. TV \longleftrightarrow HDMI OUT
3. Consola \longleftrightarrow HDMI IN

PRZYGOTOWANIE

W pudełku

Sprawdź, czy wszystkie te elementy są w pudełku.

- Live Gamer ULTRA
- Szybki przewodnik
- Karta z kluczem do oprogramowania PowerDirector 15
- Przejściówka USB 3.1 typ C na typ A
- Kabel HDMI 2.0

RECentral

RECentral to domyślne oprogramowanie do przesyłania strumieniowego / nagrywania, które jest przeznaczone do kart Live Gamer:

Można je pobrać z: q.avermedia.com/gc553-recentral

Elementy i porty

1. Wyjście HDMI
2. Wejście HDMI
3. Kontrolka LED (dioda)
4. Port zasilania USB 3.1
5. Wywietrzniki

WSKAZANIA LED

- Niebieski ciągly: gotowy
- Powoli migający czerwony: nagrywanie
- Powoli migający niebieski: strumieniowanie
- Szybko migające czerwone światło: Dysk prawie pełny
- Ciągłe czerwone światło: Dysk pełny / Błąd: przesyłanie lub nagrywanie zatrzymane
- Migające zielone światło: Błąd: podłączenie do USB 2.0
- Migające czerwone światło: Błąd: urządzenie działa nieprawidłowo

INSTALACJA

Ujęcie i strumień

1. PC \longleftrightarrow USB 3.1
2. Wyjście TV \longleftrightarrow HDMI OUT
3. Konsola \longleftrightarrow HDMI IN

PŘÍPRAVA

V krabici

Zkontrolujte, zda jsou přibaleny následující položky.

- Live Gamer ULTRA
- Rychlý průvodce
- Licenční klíč pro CyberLink PowerDirector 15
- Kabel USB 3.1, typ C / typ A
- Kabel HDMI 2.0

RECentral

RECentral je výchozí aplikace pro streaming / záznam videa navržena pro karty Live Gamer:

Stahujte z: g.avermedia.com/gc553-recentral

PČásti a porty

1. Výstup HDMI
2. Vstup HDMI
3. Kontrolka LED
4. Napájecí port USB 3.1
5. Vzduchové průduchy

STAVY LED

- Trvale modrá: připraveno
- Pomalu blikající červená: záznam
- Pomalu blikající modrá: streaming
- Rychle blikající červená: Téměř plný disk
- Trvalé svítící červená: Plný disk / Chyba: Zastavil se streaming nebo záznam
- Blikající zelená: Chyba: Připojeno do USB 2.0
- Blikající červená: Chyba: Neočekávaný stav

INSTALACE

Záznam a vysílání

1. PC \longleftrightarrow USB 3.1
2. TV \longleftrightarrow HDMI OUT
3. Konzole \longleftrightarrow HDMI IN

VOORBEREIDING

Inhoud van de doos

Controleer of de doos al deze zaken bevat.

- Live Gamer ULTRA
- Snelgids
- PowerDirector 15 productcodekaart
- USB 3.1 Type-C naar Type-A kabel
- HDMI 2.0 kabel

RECentral

RECentral is de standaard streaming-/opnamesoftware ontworpen voor Live Gamer opnamekaarten.

Download het op: g.avermedia.com/gc553-recentral

Onderdelen en aansluitingen

1. HDMI-uitgang
2. HDMI-ingang
3. LED-indicator
4. USB 3.1 stroompoort
5. Luchtventilatieopeningen

LED-INDICATIES

- Constant blauw: gereed
- Traag rood knipperen: opname
- Traag blauw knipperen: streaming
- Snel rood knipperen: Disk bijna vol
- Constant rood: Disk vol / Fout: streaming of opname gestopt
- Groend knipperen: Fout: aangesloten op USB 2.0
- Rood knipperen: Fout: apparaatstoring

INSTALLATIE

Opnemen en streamen

1. PC \longleftrightarrow USB 3.1
2. TV \longleftrightarrow HDMI OUT
3. Console \longleftrightarrow HDMI IN

ELŐKÉSZÍTÉS

Doboz tartalma

Ellenőrizze, hogy minden eszköz megvan.

- Live Gamer ULTRA
- Telepítési útmutató
- PowerDirector 15 termék kulcskártya
- USB 3.1 Type-C - Type-A kábel
- HDMI 2.0 kábel

RECentral

A RECentral az alapértelmezett adatfolyam-kezelő/rögzítő szoftver a Live Gamer rögzítőkártákhöz.

Töltse le innen: g.avermedia.com/gc553-recentral

Részegységek és portok

1. HDMI kimenet
2. HDMI bemenet
3. LED jelző
4. USB 3.1 elektromos aljzat
5. Szellőzőnyílások

LED KIJELZÉSEK

- Folytonos kék: Kész
- Lassan villogó piros: Rögzítés
- Lassan villogó kék: Adatfolyam továbbitása
- Gyorsan villogó piros: Lemez majdnem tele
- Folyamatos piros: Lemez tele / Hiba: adatfolyam vagy rögzítés leálltva
- Villogó zöld: Hiba: USB 2.0-hoz csatlakoztatva
- Villogó piros: Hiba: Eszköz anomália

TELEPÍTÉS

Felvétel és Stream

1. PC \longleftrightarrow USB 3.1
2. TV \longleftrightarrow HDMI OUT
3. Konzol \longleftrightarrow HDMI IN

HAZIRLIK

Kutunun İçinde

Bu parçaların tamamının paket içinde olduğunu kontrol edin.

- Live Gamer ULTRA
- Hızlı Kılavuz
- PowerDirector 15 Ürün Anahtarı Kartı
- USB 3.1 Tip-C'den Tip-A Kabloya
- HDMI 2.0 Kablosu

RECentral

RECentral, Live Gamer yakalama kartları için tasarlanmış varsayılan akış / kayıt yazılımıdır.

Şu adresten indirin: g.avermedia.com/gc553-recentral

Parçalar ve Bağlantı Noktaları

1. HDMI Çıkış
2. HDMI Girişi
3. LED Gösterge
4. USB 3.1 Güç Bağlantı Noktası
5. Havalandırma Delikleri

LED GÖSTERGELER

- Tam Mavi: Hazır
- Yavaş Yanıp Sönen Kırmızı: Kayıt
- Yavaş Yanıp Sönen Mavi: Akış
- Hızlı Yanıp Sönen Kırmızı: Disk Neredeyse Dolu
- Sürekli Yanan Kırmızı: Disk Dolu / Hata: Akış veya Kayıt Durduruldu
- Yanıp Sönen Yeşil: Hata: USB 2.0'a bağlandı
- Yanıp Sönen Kırmızı: Hata: Cihaz Anormalliği

KURULUM

Yakalama ve Akış

1. PC \longleftrightarrow USB 3.1
2. TV \longleftrightarrow HDMI OUT
3. Konzol \longleftrightarrow HDMI IN

ПОДГОТОВКА

Комплектация

Проверьте наличие всех указанных позиций.

- Live Gamer ULTRA
- Краткое руководство
- PowerDirector 15 карточка с ключом продукта
- Кабель USB 3.1 Type-C на Type-A
- Кабель HDMI 2.0

RECentral

RECentral это программа по умолчанию для потокового вещания/записи, предназначенная для карт захвата серии Live Gamer.

Загрузить его можно с: q.avermedia.com/gc553-recentral

Элементы и Порты

1. HDMI Выход
2. HDMI Вход
3. Световой индикатор
4. Порт питания USB 3.1
5. Воздушная вентиляция

СВЕТОДИОДНАЯ ИНДИКАЦИЯ

- Горит синий: Готов
- Медленно мигает красный: Запись
- Медленно мигает синий: Стрим
- Быстро мигает красный: Диск почти заполнен
- Горит красный: Диск заполнен / Ошибка: Стрим или запись остановлены
- Мигает зеленый: Ошибка: Подключен к USB 2.0
- Мигает красный: Ошибка: Устройство не готово

УСТАНОВКА

Захват и потоковая трансляция

1. ПК \longleftrightarrow USB 3.1
2. ТВ \longleftrightarrow HDMI OUT
3. Консоль \longleftrightarrow HDMI IN

การเตรียมการ

ภายในกล่อง

โปรดตรวจสอบว่าท่านได้รับรายการเหล่านี้อย่างครบถ้วน

- Live Gamer ULTRA
- คู่มือใช้งานเบื้องต้น
- คีย์การ์ดสำหรับเปิดใช้งาน PowerDirector 15
- สายเคเบิล USB 3.1 Type-C to Type-A
- สายเคเบิล HDMI 2.0

RECentral

RECentral เป็นซอฟต์แวร์สตรีมมิง / บันทึกภาพที่ได้รับการออกแบบมาสำหรับการดจับภาพ Live Gamer นอกจากนี้ยังมีการตั้งค่าสำหรับแอปพลิเคชันของ Live Gamer ดาวน์โหลดได้จาก: q.avermedia.com/gc553-RECentral

ชิ้นส่วนและพอร์ต

1. สัญญาณ HDMI ขาออก
2. สัญญาณ HDMI ขาเข้า
3. ไฟสถานะ LED
4. พอร์ต USB 3.1
5. วาล์วระบายอากาศ

การมั่งซีสถานะของ LED

- สีน้ำเงิน: พร้อมใช้งาน
- สีแดงกระพริบช้าๆ: กำลังบันทึก
- สีน้ำเงินกระพริบช้าๆ: กำลังสตรีมมิง
- สัญญาณไฟแดงกระพริบอย่างรวดเร็ว: ที่เก็บข้อมูลใกล้จะเต็ม
- สัญญาณไฟแดงค้าง: ที่เก็บข้อมูลเต็ม / ผิดพลาด: การสตรีมและการบันทึกหยุดการทำงาน
- สัญญาณไฟเขียวกระพริบ: ผิดพลาด: การเชื่อมต่อไปยัง USB 2.0
- สัญญาณไฟแดงกระพริบ: ผิดพลาด: อุปกรณ์ทำงานผิดพลาด

การติดตั้ง

บันทึกและถ่ายทอดสด

1. เครื่องคอมพิวเตอร์ \longleftrightarrow USB 3.1
2. โทรทัศน์ \longleftrightarrow HDMI ขาออก
3. คอนโซล \longleftrightarrow HDMI ขาเข้า

繁體中文

使用前準備

盒內配件

請確認您購買的 Live Gamer ULTRA 盒內包含以下所有物品。

- Live Gamer ULTRA
- 快速安裝手冊
- 威力導演 15 (PowerDirector 15) 金鑰卡
- USB 3.1 Type-C 轉 Type-A 傳輸線
- HDMI 2.0 傳輸線

RECentral

RECentral 是專為 Live Gamer 系列擷取卡而打造的直播 / 錄影軟體。

由此下載：q.avermedia.com/gc553-recentral

外觀簡介

1. HDMI 輸出
2. HDMI 輸入
3. LED 指示燈
4. USB 3.1 插槽
5. 通風口

LED 燈號指示對照表

- 藍燈恆亮：準備完成
- 紅燈呼吸：錄製中
- 藍燈呼吸：直播中
- 紅燈快速閃爍：儲存空間將滿
- 紅燈恆亮：儲存空間已滿 / 錯誤：直播或錄影已停止
- 綠燈閃爍：錯誤：已連接至 USB 2.0
- 紅燈閃爍：錯誤：設備異常

硬體連接

擷取與串流

1. PC \longleftrightarrow USB 3.1
2. 電視 \longleftrightarrow HDMI OUT
3. 遊戲主機 \longleftrightarrow HDMI IN

简体中文

使用前准备

盒內配件

请确认您购买的 Live Gamer ULTRA 盒内包含以下所有物品。

- Live Gamer ULTRA
- 快速安装手册
- PowerDirector 15 产品激活卡
- USB3.1 Type-C 转 Type-A 线缆
- HDMI 2.0 线缆

RECentral

RECentral 是专为 高清游戏直播盒 / 卡而设计的直播 / 录制软件。

由此下载：q.avermedia.com/gc553-recentral

外观介绍

1. HDMI 输出
2. HDMI 输入
3. LED 指示灯
4. USB 3.1 插槽
5. 透气孔

LED 指示灯

- 蓝灯常亮：就绪
- 红色呼吸灯：录制中
- 蓝色呼吸灯：推流直播中
- 红灯快速闪烁：磁盘空间将满
- 红灯常亮：磁盘空间不足 / 错误：录制或推流停止
- 绿灯闪烁：错误：连接到 USB 2.0
- 红灯闪烁：错误：设备异常

安装

采集视频和直播

1. PC \longleftrightarrow USB 3.1
2. TV \longleftrightarrow HDMI OUT
3. 游戏主机 \longleftrightarrow HDMI IN

한국어

준비

내용물

내용물이 모두 빠짐없이 있는지 확인합니다.

- Live Gamer ULTRA
- 빠른 가이드
- 파워디렉서 15 시리얼 키
- USB 3.1 C- 타입과 A- 타입 케이블
- HDMI 2.0 케이블

RECentral

RECentral 은 라이브 게이머 캡처카드를 위해 개발된 기본 스트리밍 / 레코딩 소프트웨어입니다.

다운로드는 : q.avermedia.com/gc553-recentral

부품 및 포트

1. HDMI 출력
2. HDMI 입력
3. LED 지시등
4. USB 3.1 전원 포트
5. 에어벤트

LED 상태표시

- 파란색 켜짐 : 준비 상태
- 빨간색 천천히 깜박임 : 녹화중
- 파란색 천천히 깜박임 : 스트리밍 중
- 빨간색으로 빠르게 깜박임 : 디스크가 거의 꽉 찼습니다
- 빨간색으로 켜짐 : 디스크가 가득 찼습니다 / 에러 : 스트리밍 또는 녹화가 중단되었습니다
- 초록색으로 점멸 : 에러 : USB 2.0 연결됨
- 빨간색으로 점멸 : 에러 : 기기 이상

설치

캡처 및 스트림

1. PC \longleftrightarrow USB 3.1
2. TV \longleftrightarrow HDMI OUT
3. 콘솔 \longleftrightarrow HDMI IN



Federal Communications Commission Statement

Class B

This device complies with Part 15 of the FCC Rules. Operation is subject to the following two conditions: (1) this device may not cause harmful interference, and (2) this device must accept any interference received, including interference that may cause undesired operation.

NOTE - This equipment has been tested and found to comply with the limits for a Class B digital device, pursuant to Part 15 of the FCC Rules. These limits are designed to provide reasonable protection against harmful interference in a residential installation. This equipment generates, uses and can radiate radio frequency energy and, if not installed and used in accordance with the instructions, may cause harmful interference to radio communications. However, there is no guarantee that interference will not occur in a particular installation. If this equipment does cause harmful interference to radio or television reception, which can be determined by tuning the equipment off and on, the user is encouraged to try to correct the interference by one or more of the following measures:

- Reorient or relocate the receiving antenna.
- Increase the separation between the equipment and receiver.
- Connect the equipment into an outlet on a circuit different from that to which the receiver is connected.
- Consult the dealer or an experienced radio/television technician for help.

CAUTION ON MODIFICATIONS

To comply with the limits for the Class B digital device, pursuant to Part 15 of the FCC Rules, this device must be installed in computer equipment certified to comply with the Class B limits. All cables used to connect the computer and peripherals must be shielded and grounded. Operation with non-certified computers or non-shielded cables may result in interference to radio or television reception.

Changes and modifications not expressly approved by the manufacturer or registrant of the equipment can void your authority to operate the equipment under Federal Communications Commission rules.



European Community Compliance Statement

Class B

This product is herewith confirmed to comply with the requirements set out in the Council Directives on the approximation of the laws of the Member States relating to Electromagnetic Compatibility Directive (EMC) 2014/30/EU, Low Voltage Directive (LVD) 2014/35/EU.



Waste Electrical and Electronic Equipment Directive

The mark of crossed-out wheeled bin indicates that this product must not be disposed of with your other household waste. Instead, you need to dispose of the waste equipment by handing it over to a designated collection point for the recycling of waste electrical and electronic equipment. For more information about where to drop off your waste equipment for recycling, please contact your household waste disposal service or the shop where you purchased the product.

CAN ICES-3 (B)/NMB-3(B)

Canada - Canada Industry Canada (IC) Labelling Requirements

Every manufacturer or importer shall ensure import or before offering for sale, as appropriate, that each unit of the type that they offer for sale bears, in allocation convenient for inspection, a permanent label or marking containing (in French and English), the following statement:

ICES-003 (Interference - Causing Equipment Standards)

"This class B digital apparatus complies with Canadian ICES-003.

Cet appareil numérique de la classe B est conforme à la norme NMB-003 du Canada."



Technical Regulations of the Customs Union

TR CU 020/2011

TR CU 004/2011



BSMI Registration of Product Certification (Taiwan)

【圖剛 BSMI 限用物質及其化學符號】放置於公司企業社會責任專頁

網址 http://www.avermedia.com/tw/about_us/social

033183
RoHS



MSIP Class B Statement (Korea)

R-REM-AVM-
GC553



Regulatory Compliance Mark



www.avermedia.com