



Owner's Manual IPS LED MONITOR (LED MONITOR*)

***LG LED Monitors are LCD Monitors with LED Backlighting.**

Please read the safety information carefully before using the product.

IPS LED Monitor (LED Monitor) Model List

29UM68

34UM68

CONTENTS

3 LICENSE

4 ASSEMBLING AND PREPARING

- 4 Product Components
- 5 Component and Button Description
- 5 - How to Use the Joystick Button
- 7 Moving and Lifting the Monitor
- 8 Installing the Monitor
- 8 - Assembling the stand base
- 10 - Using the cable holder
- 10 - Adjusting the stand height
- 11 - Installing onto a table
- 12 - Adjusting the angle
- 13 - Using the Kensington lock
- 13 - Installing the wall mount plate
- 14 - Installing to a wall

15 USING THE MONITOR

- 15 Connecting to a PC
- 15 - HDMI connection
- 15 - DisplayPort connection
- 16 Connecting to AV Devices
- 16 - HDMI connection
- 16 Connecting to External Devices
- 16 - Connecting Headphones

17 USER SETTINGS

- 18 Customizing settings
- 18 - Menu Settings
- 18 - -Quick Settings
- 19 - -PBP
- 20 - -Picture
- 22 - -Sound
- 23 - -General
- 24 - -Reset

25 TROUBLESHOOTING

27 SPECIFICATIONS

- 27 29UM68
- 28 34UM68
- 29 Factory support mode (HDMI/ DisplayPort)
- 29 HDMI Timing (Video)
- 29 Indicator

30 PROPER POSTURE

- 30 Proper Posture for Using the Monitor

LICENSE

Each model has different licenses. Visit www.lg.com for more information on the license.



The terms HDMI and HDMI High-Definition Multimedia Interface, and the HDMI logo are trademarks or registered trademarks of HDMI Licensing LLC in the United States and other countries.



VESA, VESA logo, Display Port Compliance Logo and Display Port Compliance Logo for dual-mode source are all registered trademarks of the Video Electronics Standards Association.



MaxxAudio and additional MAXX trademarks are trademarks and/or registered trademarks of Waves Audio Ltd.


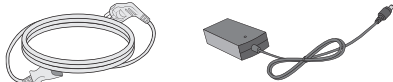



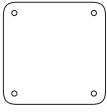

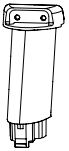






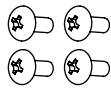
The following content is only applied to the monitor which is sold in Europe market and which needs to meet the ErP Directive:

- * This monitor is set to be turned off automatically in 4 hours after you turned on display if there is no adjustment to display.
- * To make this setting be disabled, change the option to 'Off' in OSD menu of "Automatic Standby".

ASSEMBLING AND PREPARING

Product Components

Please check whether all the components are included in the box before using the product. If there are missing components, contact the retail store where you purchased the product. Note that the product and components may look different from those shown here.

| | | | | |
|---|--|---|---|--|
|  <p>CD(Owner's Manual) / Card</p> | <div style="border: 1px dashed gray; padding: 5px;">  <p>Power Cord (Depending on the country)</p> <p>AC-DC Adapter (Depending on the country)</p> </div> | | <p>or</p>  <p>AC-DC Adapter (Depending on the country)</p> | |
|  <p>HDMI Cable (This cable is not included in all countries.)</p> |  <p>Display Port Cable</p> |  <p>Clear sheet 34UM68</p> | | |
| <p>29UM68</p> | | | | |
|  <p>Stand Base</p> |  <p>Stand Body</p> |  <p>Cable Holder</p> |  <p>Screw Cover</p> |  <p>2 Screws</p> |
| <p>34UM68</p> | | | | |
|  <p>Stand Base</p> |  <p>Stand Body</p> |  <p>Cable Holder</p> |  <p>4 Screws</p> | |

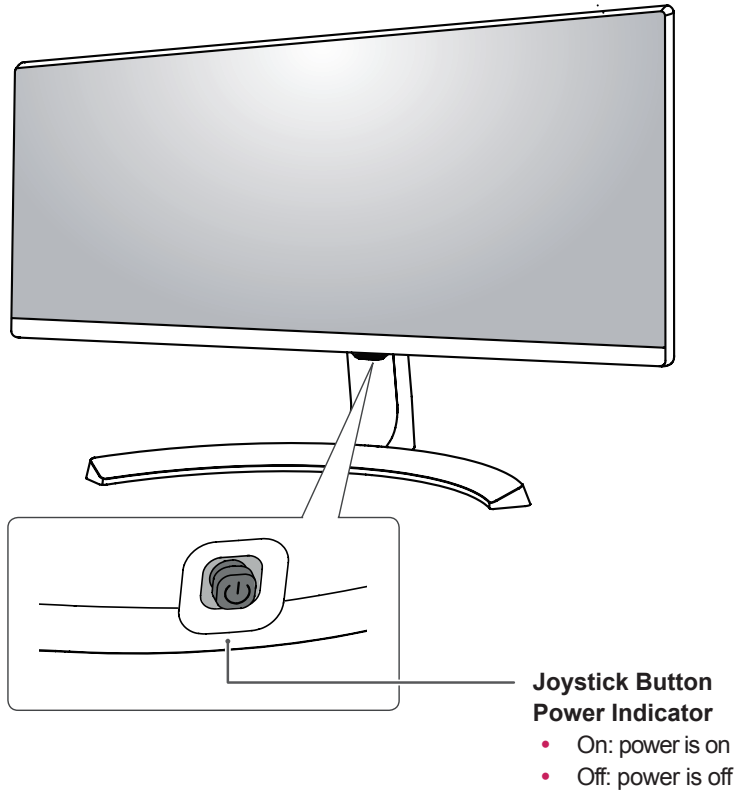
CAUTION

- Always use genuine components to ensure safety and product performance.
- The product warranty will not cover damage or injury caused by the use of counterfeit components.
- It is recommend that use the supplied components.
- If you use generic cables not certified by LG, the screen may not display or there may be image noises.

NOTE

- Note that the components may look different from those shown here.
- Without prior notice, all information and specifications in this manual are subject to change to improve the performance of the product.
- To purchase optional accessories, visit an electronics store or online shopping site or contact the retail store where you purchased the product.

Component and Button Description



How to Use the Joystick Button

You can easily control the functions of the monitor by pressing the joystick button or moving it left/right with your finger.

Basic Functions

| | | | |
|--|--|-----------------------|---|
| | | Power on | Press the joystick button once with your finger to turn on the monitor. |
| | | Power off | Press and hold the joystick button once with your finger to turn off the monitor. |
| | | Volume Control | You can control the volume by moving the joystick button left/right. |

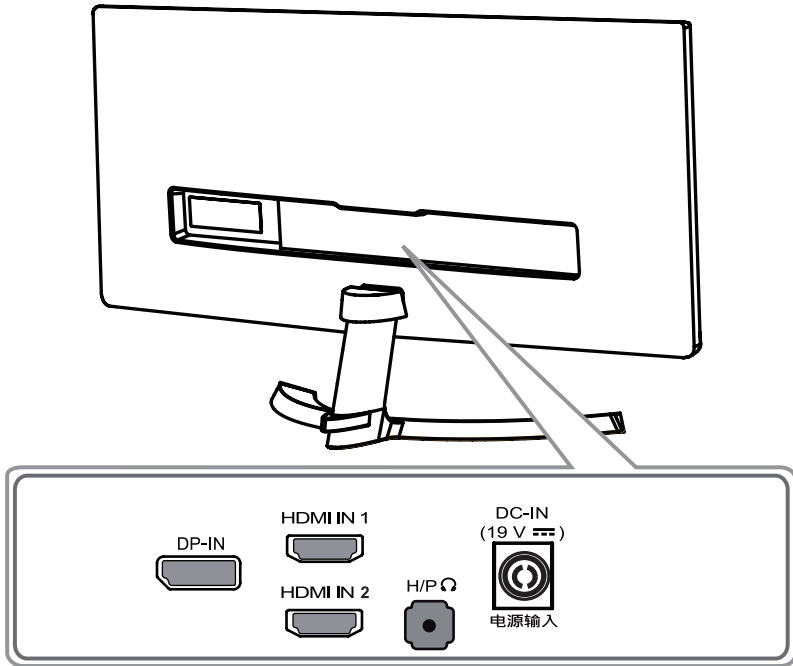


NOTE

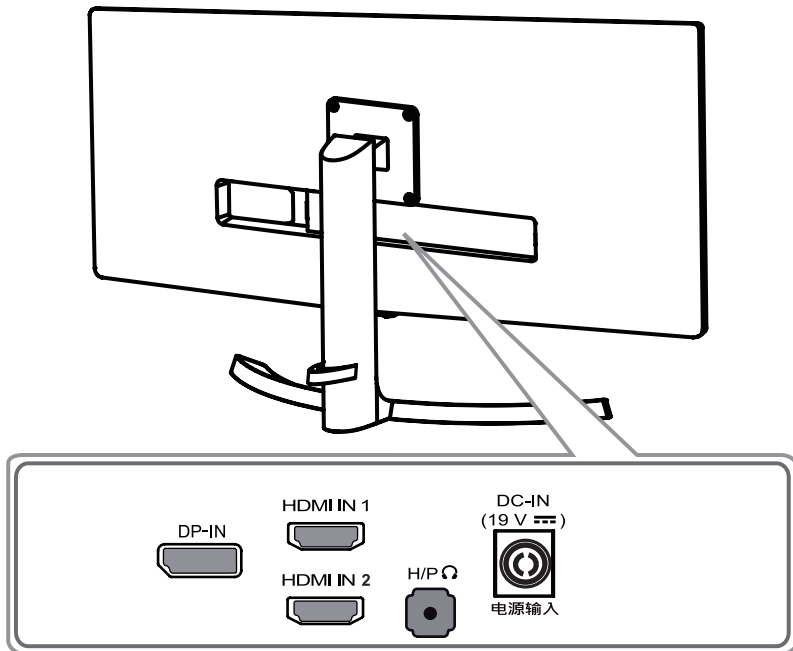
- The joystick button is located at the bottom of the monitor.

Input Connector

29UM68



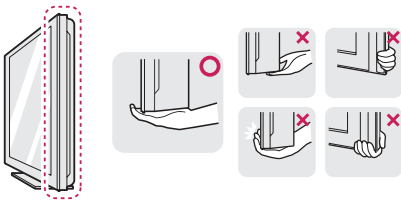
34UM68



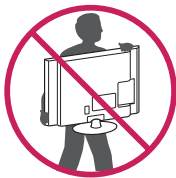
Moving and Lifting the Monitor

When moving or lifting the monitor, follow these instructions to prevent the monitor from being scratched or damaged and to ensure safe transportation regardless of its shape or size.

- It is advisable to place the monitor in the original box or packing material before attempting to move it.
- Before moving or lifting the monitor, disconnect the power cord and all cables.
- Hold the top and bottom of the monitor frame firmly. Do not hold the panel itself.



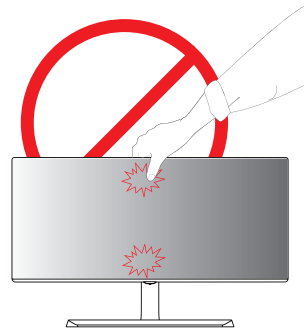
- When holding the monitor, the screen should face away from you to prevent it being scratched.



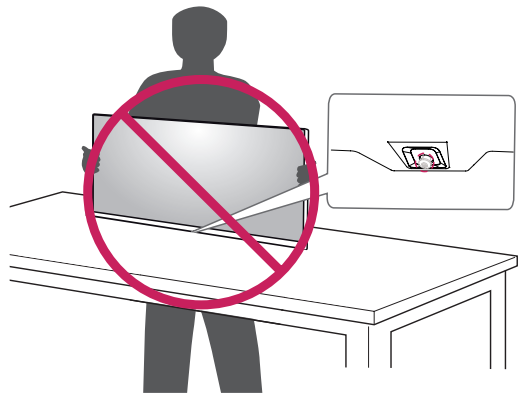
- When moving the monitor, avoid any strong shock or vibrations to the product.
- When moving the monitor, keep it upright, never turn the monitor on its side or tilt it sideways.

CAUTION

- As far as possible, avoid touching the monitor screen. This may result in damage to the screen or some of the pixels used to create images.



- If you use the monitor panel without the stand base, its joystick button may cause the monitor to become unstable and fall, resulting in damage to the monitor or human injury. In addition, this may cause the joystick button to malfunction.

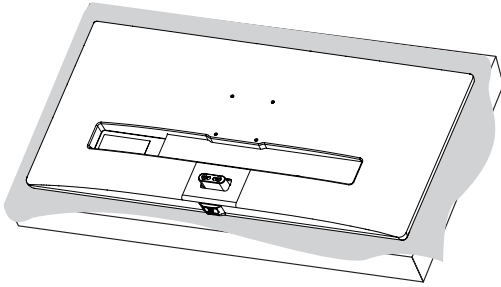


Installing the Monitor

Assembling the stand base

29UM68

- 1 Place the screen face down.

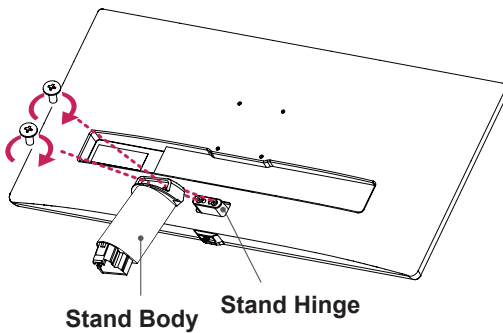


CAUTION

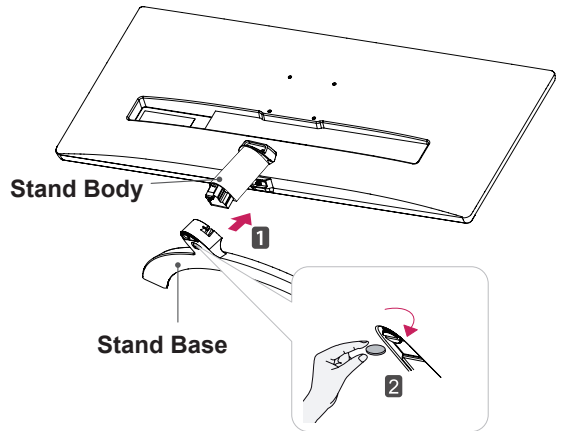
- To protect the screen from scratches, cover the surface with a soft cloth.

- 2 Check the direction of the **stand body** (front, back) and then mount the **stand body** onto the **stand hinge**.

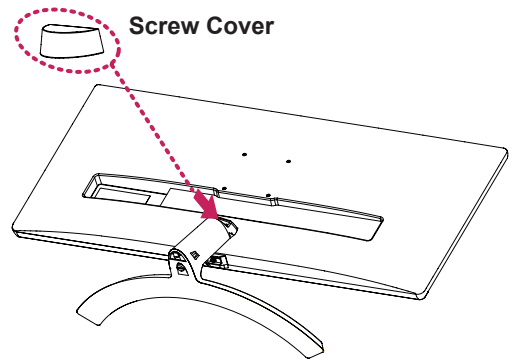
Tighten two screws into the back of the **stand body**.



- 3
 - 1 Attach the **Stand Base** to **Stand Body**.
 - 2 Using a coin, turn the screw clockwise to secure the **stand base**.



- 4 Attach the screw cover.

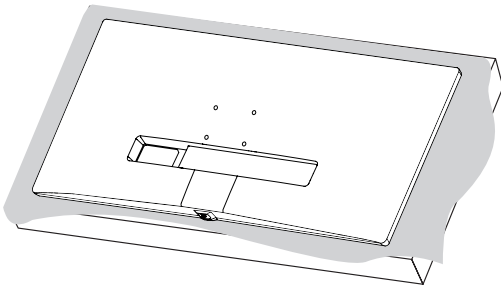


NOTE

- You can disassemble the stand in the reverse order of the assembly.

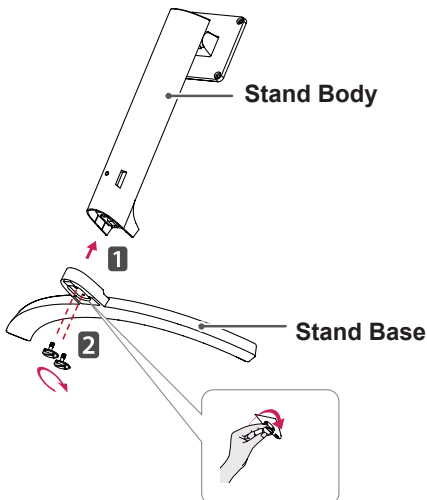
34UM68

- 1 Place the screen face down.

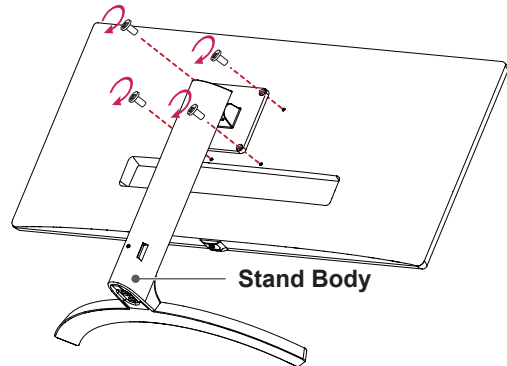
**CAUTION**

- To protect the screen from scratches, cover the surface with a soft cloth.

- 2 **1** Attach the **Stand Base** to **Stand Body**.
2 Tighten the screw to the right.



- 3 Use a tool to attach the **stand body** as shown in the figure.

**NOTE**

- You can disassemble the stand in the reverse order of the assembly.

**CAUTION**

- Illustrations in this document represent typical procedures, so they may look different from the actual product.
- Applying excessive force when tightening screws may cause damage to the monitor. Damage caused in this way will not be covered by the product warranty.
- Be careful not to hurt your hand on the edges of the screw covers.
- Do not carry the monitor upside down by just holding the base. This may cause the monitor to fall off the stand and could result in personal injury.
- When lifting or moving the monitor, do not touch the monitor screen. The force applied to the monitor screen may cause damage to it.

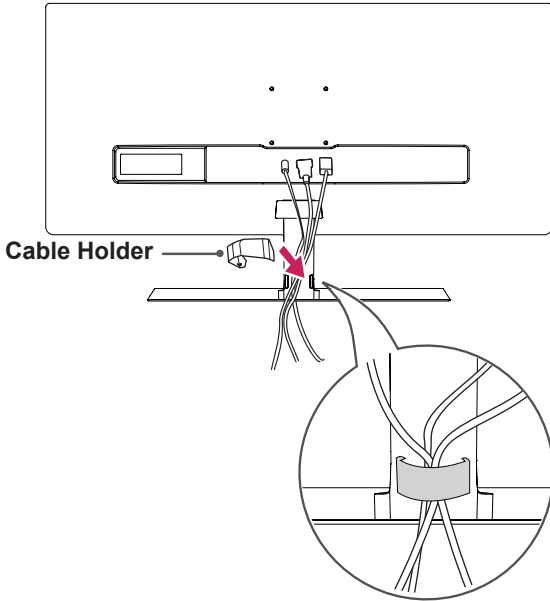
**CAUTION**

It may hurt your foot off the stand, so be careful.

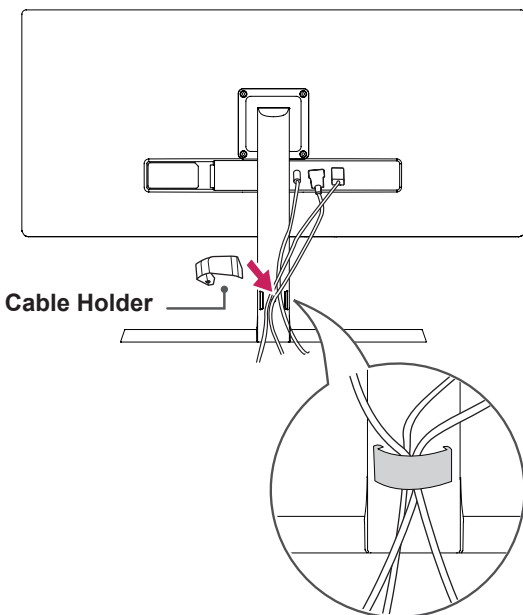
Using the cable holder

Arrange the cables using the cable holder as shown in the illustration.

29UM68



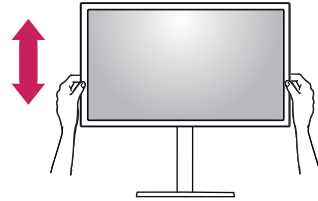
34UM68



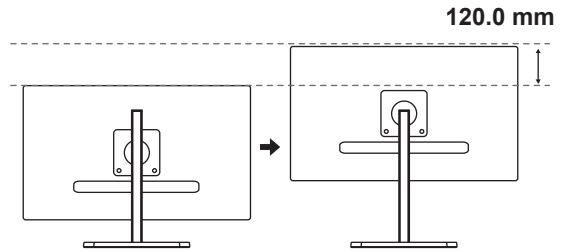
Adjusting the stand height

34UM68



- 1 Handle the monitor with both hands for safety.



- 2 The height can be adjusted up to 120.0 mm.



WARNING

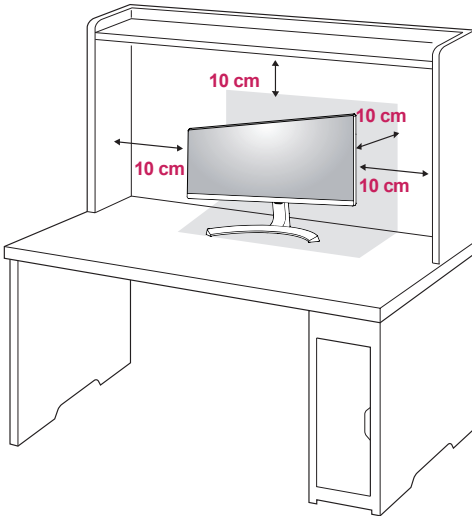



- Do not put your fingers or hand between the screen and the base (chassis) when adjusting the screen's height.

Installing onto a table

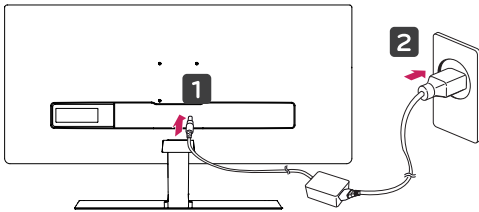
- 1 Lift the monitor and place it on the table in an upright position.

Place at least **10 cm** away from the wall to ensure sufficient ventilation.

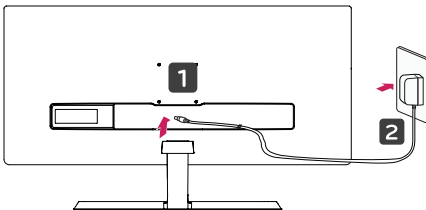


- 2 Connect the power adapter to the monitor and then plug the power cord into the wall outlet.

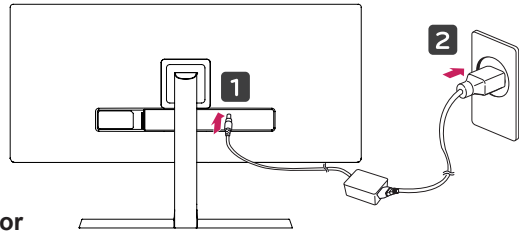
29UM68



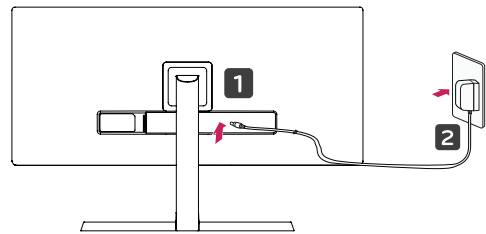
or



34UM68



or



- 3 Press the joystick button on the bottom of the monitor to turn on the monitor.



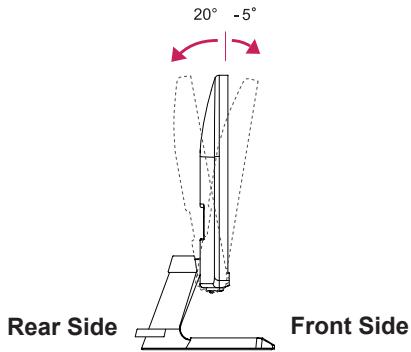
CAUTION

- Unplug the power cord prior to moving or installing the monitor. There is risk of electric shock.

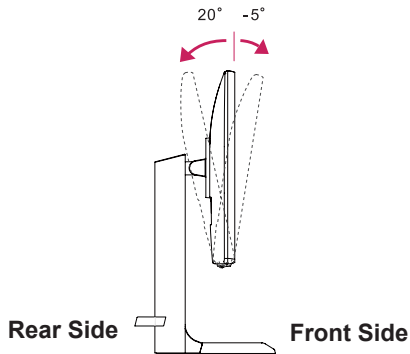
Adjusting the angle

- 1 Place the monitor in an upright position, mounted on the stand base.
- 2 Adjust the angle of the screen. The angle of the screen can be adjusted forwards or backwards for a comfortable viewing experience.

29UM68



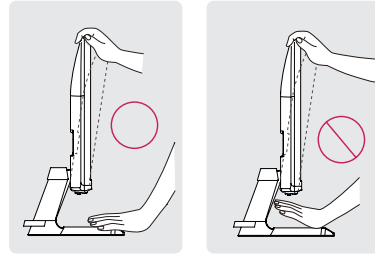
34UM68



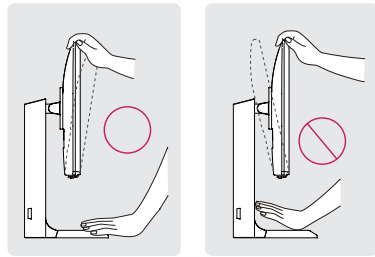
! WARNING

- To avoid injury to the fingers when adjusting the screen, do not hold the lower part of the monitor's frame as illustrated below.

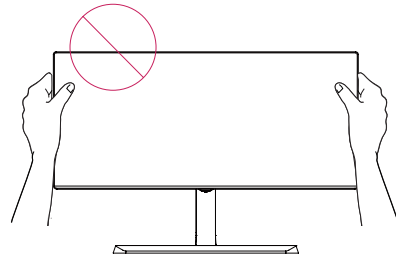
29UM68



34UM68



- Be careful not to touch or press the screen area when adjusting the angle of the monitor.

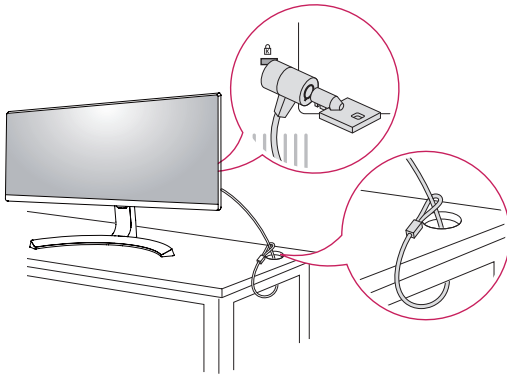


Using the Kensington lock

The Kensington security system connector is located at the back of the Monitor set.

For more information on installation and usage, refer to the Kensington lock user manual or visit the website at <http://www.kensington.com>.

Connect the Kensington security system cable between the Monitor set and a table.



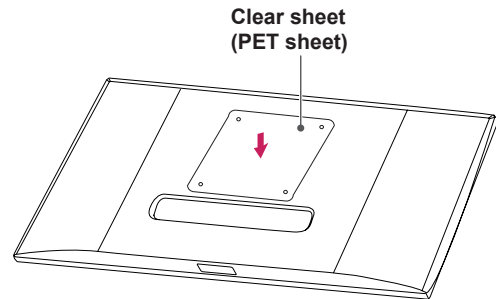
! NOTE

- Use of the Kensington lock is optional. The accessories can be purchased at your local electronics store.

Installing the wall mount plate

This monitor supports the specification of the standard wall mount plate or compatible device.

- 1 Place the screen face down. To protect the screen from scratches, cover the surface with a soft cloth.
- 2 Attach the clear sheet to the back of the monitor and align it with the screw holes.(34UM68)
- 3 Place the wall mount plate onto the monitor and align it with the screw holes.
- 4 Tighten the four screws to fix the plate to the monitor using a screwdriver.

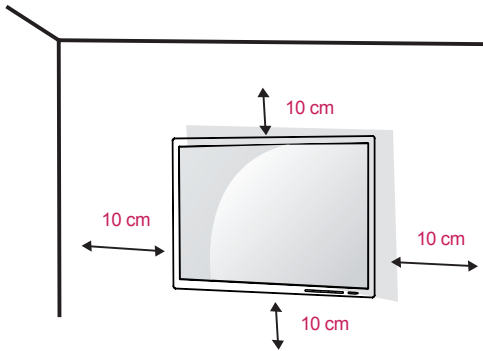


! NOTE

- The wall mount plate is sold separately.
- For more information on installation, refer to the wall mount plate's installation guide.
- Be careful not to use excessive force when mounting the wall mount plate, as this can damage the monitor's screen.

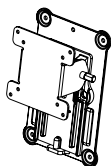
Installing to a wall

Install the monitor at least 10 cm away from the wall and leave about 10 cm of space at each side of the monitor to ensure sufficient ventilation. Detailed installation instructions can be obtained from your local retail store. Please refer to the manual to install and set up a tilting wall mounting bracket.

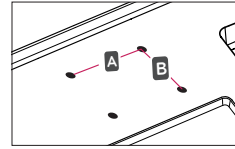


To install the monitor to a wall, attach a wall mounting bracket (optional) to the back of the monitor. Make sure that the wall mounting bracket is securely fixed to the monitor and to the wall.

- 1 If you use screw longer than standard, the monitor might be damaged internally.
- 2 If you use improper screw, the product might be damaged and drop from mounted position. In this case, LG Electronics is not responsible for it.

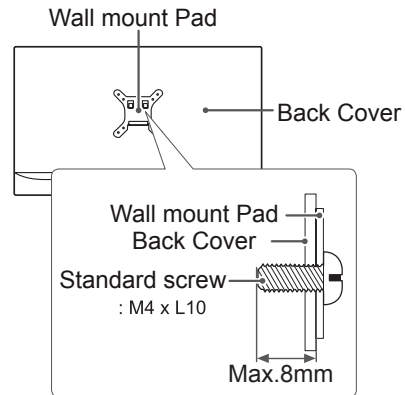
| Model | 29UM68 | 34UM68 |
|-----------------------------|--|-----------|
| Wall Mount (A x B) | 75 x 75 | 100 x 100 |
| Standard screw | M4 x L10 | |
| Number of screws | 4 | |
| Wall Mount Plate (Optional) | RW120  | |

- Wall Mount (A x B)



CAUTION

- Unplug the power cord before moving or installing the monitor to avoid electric shocks.
- Installing the monitor on the ceiling or on a slanted wall may result in the monitor falling off, which could lead to injury. Please use the genuine LG wall mounting bracket. For more information, contact your local retail store or a qualified installer.
- Applying excessive force when fastening screws may cause damage to the monitor. Damage caused in this way will not be covered by the product warranty.
- Use the wall mounting bracket and screws that conform to the VESA standard. Damage caused by the use or misuse of inappropriate components will not be covered by the product warranty.
- Screw length from outer surface of back cover should be under 8mm.



NOTE

- Use the screws specified by the VESA standard.
- The wall mount kit includes the installation guide and all necessary parts.
- The wall mounting bracket is optional. The accessories can be purchased at your local retail store.
- The length of the screw may differ for each wall mounting bracket. Ensure the correct length screw is used.
- For more information, please refer to the user manual for the wall mounting bracket.

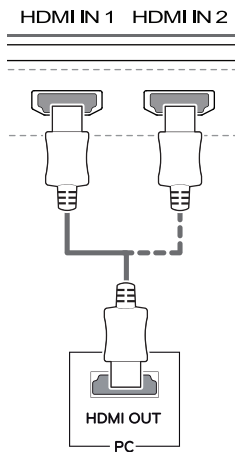
USING THE MONITOR

Connecting to a PC

- This monitor supports the *Plug and Play feature.
*Plug and Play: A feature that allows you to add a device to your computer without having to reconfigure anything or install any manual drivers.

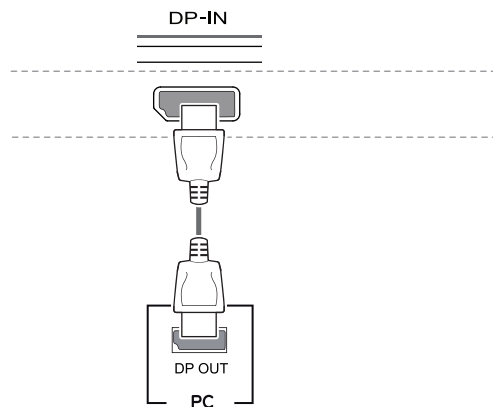
HDMI connection

Transmits the digital video and audio signals from your PC and A/V devices to the monitor. Connect your PC and AV device to the monitor with the HDMI cable as illustrated below. Press the menu button and then select the input option from the input menu.



DisplayPort connection

Transmits the digital video and audio signals from your PC to the monitor. Connect your PC to the monitor using the display port cable as illustrated below. Press the menu button and then select the input option from the input menu.



! NOTE

- There may be no video or audio output depending on the DP version of the PC.
- If you use generic cables not certified by LG, the screen may not display or there may be image noises.

! NOTE

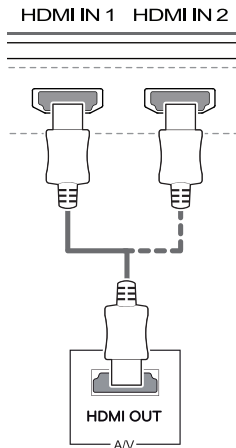
- If you use HDMI PC, it can cause compatibility problem.
- Use a certified cable with the HDMI logo attached. If you do not use a certified HDMI cable, the screen may not display or a connection error may occur.
- Recommended HDMI cable types
 - High-Speed HDMI^{®/™} Cable
 - High-Speed HDMI^{®/™} Cable with Ethernet

Connecting to AV Devices

HDMI connection

Transmits the digital video and audio signals from your PC and A/V devices to the monitor. Connect your PC and AV device to the monitor with the HDMI cable as illustrated below.

Press the menu button and then select the input option from the input menu.



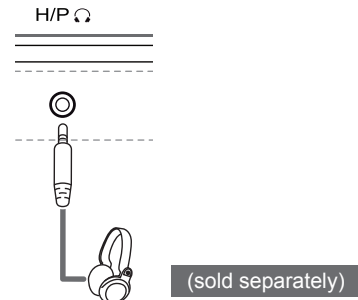
NOTE

- If you use HDMI PC, it can cause compatibility problem.
- Use a certified cable with the HDMI logo attached. If you do not use a certified HDMI cable, the screen may not display or a connection error may occur.
- Recommended HDMI cable types
 - High-Speed HDMI[®]/TM Cable
 - High-Speed HDMI[®]/TM Cable with Ethernet

Connecting to External Devices

Connecting Headphones

Connect peripherals to the monitor via the headphones port. Connect as illustrated.

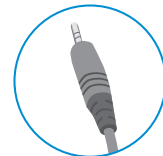


NOTE

- Peripheral devices are sold separately.
- If you use angled earphones, it may cause a problem with connecting another external device to the monitor. Therefore, it is recommended to use straight earphones.



Angled



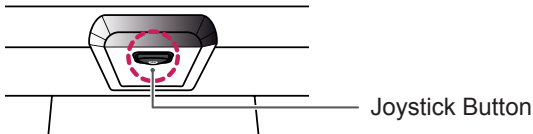
Straight




- Depending on the audio settings of the PC and external device, headphones and speaker functions may be limited.

USER SETTINGS

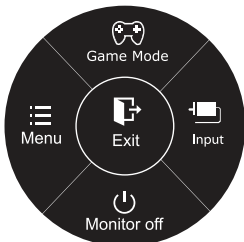
Activating the Main Menu

- 1 Press the joystick button on the bottom of the monitor.
- 2 Move the joystick up/down (▲/▼) and left/right(◀/▶) to set the options.
- 3 Press the joystick button once more to exit the main menu.



| Button | Menu Status | Description |
|---|-----------------------------|---|
|  | Main menu disabled | Enables the main menu. |
| | Main menu enabled | Exits the main menu. (Holding down the button to turn off the monitor. You can turn off the monitor this way at any time, including when the OSD is on.) |
|  | ◀ Main menu disabled | Adjusts the monitor volume level. |
| | ◀ Main menu enabled | Enters the menu features. |
| | ▶ Main menu disabled | Adjusts the monitor volume level. |
| | ▶ Main menu enabled | Enters the input feature. |
|  | ▲ Main menu disabled | Enables the main menu. |
| | ▲ Main menu enabled | Enters the game mode feature. |
| | ▼ Main menu disabled | Enables the main menu. |
| | ▼ Main menu enabled | Turns off the monitor. |

Main Menu Features



Ⓞ Long press: Monitor off

| Main Menu | Description |
|--------------------|---|
| Menu | Configures the screen settings. |
| Game Mode | You can change Picture Mode to a gaming mode. |
| Input | Sets input mode. |
| Monitor off | Turns off the monitor. |
| Exit | Exits the main menu. |

Customizing settings

Menu Settings

-Quick Settings

- 1 To view the **OSD menu**, press the **joystick button** at the bottom of the monitor and then enter the **Menu**.
- 2 Go to **Quick Settings > Brightness** by moving the joystick.
- 3 Configure the options following the instructions that appear in the bottom right corner.
- 4 To return to the upper menu or set other menu items, move the joystick to ◀ or pressing (⊙ / OK) it.
- 5 If you want to exit the OSD menu, move the joystick to ◀ until you exit.



Each option is described below.

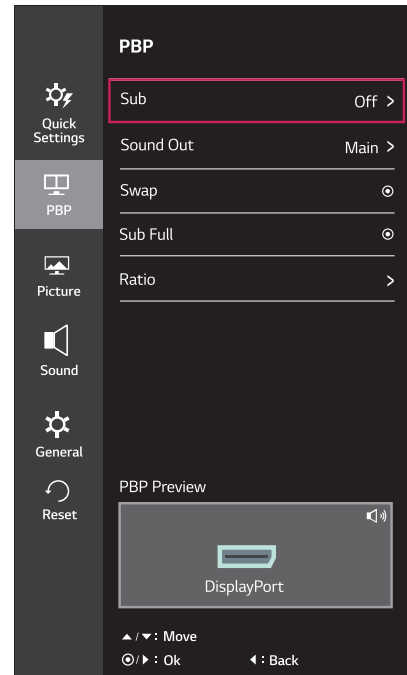
| Menu > Quick Settings | Description | | | | | | | | | | |
|-----------------------|--|-------------|--|-----------------|--|-----------------|--|-----------------|---|------------|---|
| Brightness | Adjusts the color contrast and brightness of the screen. | | | | | | | | | | |
| Contrast | | | | | | | | | | | |
| Volume | Adjusts the volume. | | | | | | | | | | |
| | <div style="border: 1px solid black; padding: 5px;"> <p>NOTE</p> <ul style="list-style-type: none"> You can adjust Mute/ Unmute by moving the joystick button to ▼ in the Volume menu. </div> | | | | | | | | | | |
| Input | Selects the current input mode. | | | | | | | | | | |
| Ratio | Adjusts the screen ratio. | | | | | | | | | | |
| | <table border="1"> <tr> <td>Wide</td> <td>Displays the video in wide-screen, regardless of the video signal input.</td> </tr> <tr> <td>Original</td> <td>Displays a video according to the input video signal aspect ratio.</td> </tr> <tr> <td>Cinema 1</td> <td>Enlarges the screen with an aspect ratio of 21:9. (at 1080p)</td> </tr> <tr> <td>Cinema 2</td> <td>Enlarges the screen with an aspect ratio of 21:9 including the black box area at the bottom for subtitles. (at 1080p)</td> </tr> <tr> <td>1:1</td> <td>The aspect ratio is not adjusted from the original.</td> </tr> </table> | Wide | Displays the video in wide-screen, regardless of the video signal input. | Original | Displays a video according to the input video signal aspect ratio. | Cinema 1 | Enlarges the screen with an aspect ratio of 21:9. (at 1080p) | Cinema 2 | Enlarges the screen with an aspect ratio of 21:9 including the black box area at the bottom for subtitles. (at 1080p) | 1:1 | The aspect ratio is not adjusted from the original. |
| Wide | Displays the video in wide-screen, regardless of the video signal input. | | | | | | | | | | |
| Original | Displays a video according to the input video signal aspect ratio. | | | | | | | | | | |
| Cinema 1 | Enlarges the screen with an aspect ratio of 21:9. (at 1080p) | | | | | | | | | | |
| Cinema 2 | Enlarges the screen with an aspect ratio of 21:9 including the black box area at the bottom for subtitles. (at 1080p) | | | | | | | | | | |
| 1:1 | The aspect ratio is not adjusted from the original. | | | | | | | | | | |

NOTE

- The display may look the same for Wide, Original options at the recommended resolution (2560 x 1080).

-PBP

- 1 To view the **OSD menu**, press the **joystick button** at the bottom of the monitor and then enter the **Menu**.
- 2 Go to **PBP** by moving the joystick.
- 3 Configure the options following the instructions that appear in the bottom right corner.
- 4 To return to the upper menu or set other menu items, move the joystick to ◀ or pressing (⊙ / OK) it.
- 5 If you want to exit the OSD menu, move the joystick to ◀ until you exit.



Each option is described below.

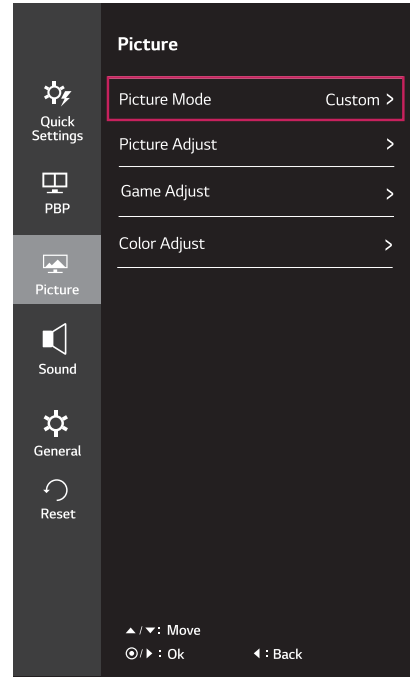
| Menu > PBP | Description | | | | |
|--------------------|---|---|---|---------------------------|----------|
| Sub | Displays the screens of two input modes on one monitor. | | | | |
| | PBP Connection | | | Sub Screen (Right) | |
| | Main Screen (Left) | HDMI 1 | - | O | O |
| | | HDMI 2 | O | - | O |
| DisplayPort | | O | O | - | |
| Sound Out | Main | Selects the input for Main. | | | |
| | Sub | Selects the input for Sub. | | | |
| Swap | Toggles between the main screen and sub screen in PBP mode. | | | | |
| Sub Full | Converts the sub screen of PBP mode to the wide screen. | | | | |
| Ratio | Adjusts the aspect ratio of the main screen or sub screen. | | | | |
| | Main | Wide | Displays the video to fit the PBP screen, regardless of the video signal input. | | |
| | | Original | Displays the video in the aspect ratio of the video signal input on the PBP screen. | | |
| | Sub | Wide | Displays the video to fit the PBP screen, regardless of the video signal input. | | |
| Original | | Displays the video in the aspect ratio of the video signal input on the PBP screen. | | | |

! NOTE

- When the Sub mode is Off, Sound Out, Swap, Sub Full, and Ratio menus become disabled. The Main/Sub options for Ratio become disabled if there is no signal.
- The optimal resolution for PBP mode is set automatically when PBP mode is set.


-Picture

- 1 To view the **OSD menu**, press the **joystick button** at the bottom of the monitor and then enter the **Menu**.
- 2 Go to **Picture** by moving the joystick.
- 3 Configure the options following the instructions that appear in the bottom right corner.
- 4 To return to the upper menu or set other menu items, move the joystick to ◀ or pressing (⊙ / OK) it.
- 5 If you want to exit the OSD menu, move the joystick to ◀ until you exit.



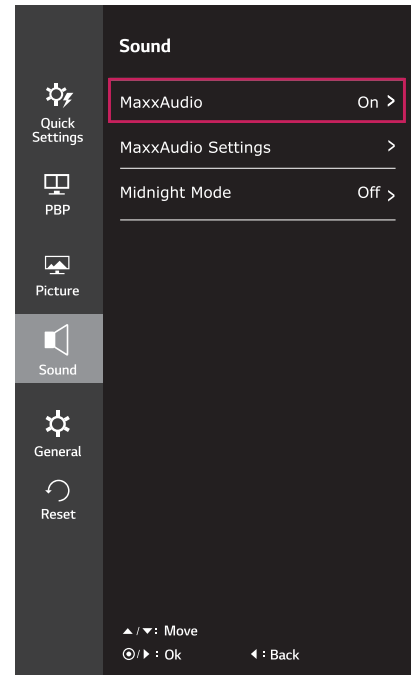
Each option is described below.

| Menu > Picture | Description | |
|--|----------------|---|
| Picture Mode | Custom | Allows the user to adjust each element. The color mode of the main menu can be adjusted. |
| | Reader | Optimizes the screen for viewing documents. You can brighten the screen in the OSD menu. |
| | Photo | Optimizes the screen for photos. |
| | Cinema | Optimizes the screen for video. |
| | Color Weakness | This mode is for users who cannot distinguish between red and green. It enables users with color weakness to easily distinguish between the two colors. |
| | FPS Game 1 | This mode is optimized for FPS games. |
| | FPS Game 2 | It has a higher Black Stabilizer value than FPS Game 1. It is suitable for very dark FPS games. |
| | RTS Game | This mode is optimized for RTS Game. |
| | Custom (Game) | In this mode, users can customize various elements including game-related options. |
| <div style="border: 1px solid black; padding: 5px;"> <p>NOTE</p> <ul style="list-style-type: none"> • If the picture mode is changed in the DP (DisplayPort) input, the screen may flicker or the resolution of your PC screen may be affected. </div> | | |

| | | | | |
|------------------|--|---|--|--|
| Picture Adjust | Sharpness | Adjusts the sharpness of the screen. | | |
| | Black Level | Sets the offset level (for HDMI only). • Offset: as a reference for a video signal, this is the darkest color the monitor can display. | | |
| | | High | The picture of the screen gets brighter. | |
| | | Low | The picture of the screen gets darker. | |
| | DFC | Adjusts the brightness automatically according to the screen. | | |
| Game Adjust | Response Time | Sets a response time for displayed pictures based on the speed of the screen. For a normal environment, it is recommended that you use Middle. For a fast-moving picture, it is recommended that you use high. Setting to High may cause image sticking. | | |
| | | High | Sets the response time to High. | |
| | | Middle | Sets the response time to Middle. | |
| | | Low | Sets the response time to Low. | |
| | | Off | Does not use the response time improvement feature. | |
| | FreeSync | Provides seamless and natural images by synchronizing the vertical frequency of the input signal with that of the output signal. | | |
| | |  NOTE <ul style="list-style-type: none"> To use the FreeSync feature, a graphic card that supports FreeSync is necessary. Supported Interface: DisplayPort For more information, refer to AMD website at http://www.amd.com/FreeSync | | |
| | | On | FreeSync function on. | |
| | | Off | FreeSync function off. | |
| | | Black Stabilizer | You can control the black contrast to have better visibility in dark scenes. Increasing the Black Stabilizer value brightens the low gray level area on the screen. (You can easily distinguish objects on dark game screens.) Reducing the Black Stabilizer value darkens the low gray level area and increases the dynamic contrast on the screen. | |
| Color Adjust | Gamma | The higher the gamma value, the darker the image becomes. Likewise, the lower the gamma value, the lighter the image becomes. If you do not need to adjust the gamma settings, select Off. | | |
| | Color Temp | Custom | Allows the user to adjust each element. The color mode of the main menu can be adjusted. | |
| | | Warm | Sets the screen color to a reddish tone. | |
| | | Medium | Sets the screen color between a red and blue tone. | |
| | | Cool | Sets the screen color to a bluish tone. | |
| | Red | You can customize the picture color using Red, Green, and Blue colors. | | |
| | Green | | | |
| | Blue | | | |
| Six Color | Meets the user requirements for colors through adjusting the color and saturation of the six colors(Red_Hue, Red_Saturation, Green_Hue, Green_Saturation, Blue_Hue, Blue_Saturation, Cyan_Hue, Cyan_Saturation, Magenta_Hue, Magenta_Saturation, Yellow_Hue, Yellow_Saturation) and saving the settings. *Hue: Adjusts tone of the screen. *Saturation: Adjusts the saturation of the screen colors. The lower the value, less saturated and bright the colors become. The higher the value, the more saturated and dark the colors become. | | | |
| | Reset | Returns the color settings to the default settings. | | |

-Sound

- 1 To view the **OSD menu**, press the **joystick button** at the bottom of the monitor and then enter the **Menu**.
- 2 Go to **Sound** by moving the joystick.
- 3 Configure the options following the instructions that appear in the bottom right corner.
- 4 To return to the upper menu or set other menu items, move the joystick to ◀ or pressing (⊙ / OK) it.
- 5 If you want to exit the OSD menu, move the joystick to ◀ until you exit.

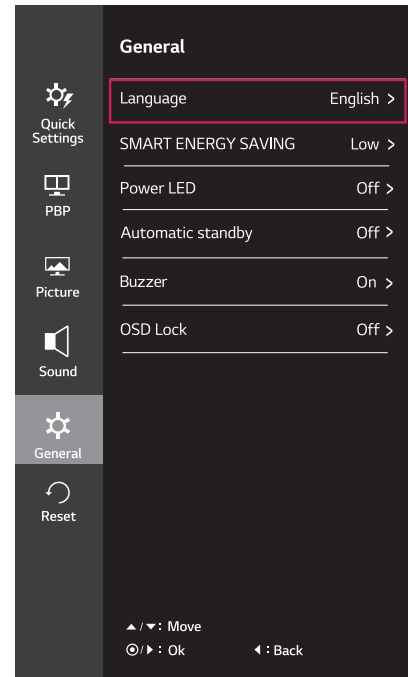


Each option is described below.

| Menu > Sound | | Description | |
|--------------|--------------------|---|---|
| MaxxAudio | MaxxAudio | On | MaxxAudio® by Waves, recipient of a Technical GRAMMY Award® is a suite of studio-quality sound tools for a superior listening experience. |
| | | Off | Disables the MaxxAudio function. |
| | MaxxAudio Settings | The user can set the sound quality manually. | |
| | | MaxxBass | Bass Enhancement. |
| | | MaxxTreble | Treble Enhancement. |
| | | MaxxDialog | Dialog Enhancement. |
| | | Maxx3D | Enhances the three dimensional effect of the sound. |
| | Reset | Returns the sound quality to the default settings. | |
| | Midnight Mode | Lets you enjoy rich and full sound at a low volume. | |

-General

- 1 To view the **OSD menu**, press the **joystick button** at the bottom of the monitor and then enter the **Menu**.
- 2 Go to **General** by moving the joystick.
- 3 Configure the options following the instructions that appear in the bottom right corner.
- 4 To return to the upper menu or set other menu items, move the joystick to ◀ or pressing (⊙ / OK) it.
- 5 If you want to exit the OSD menu, move the joystick to ◀ until you exit.



Each option is described below.

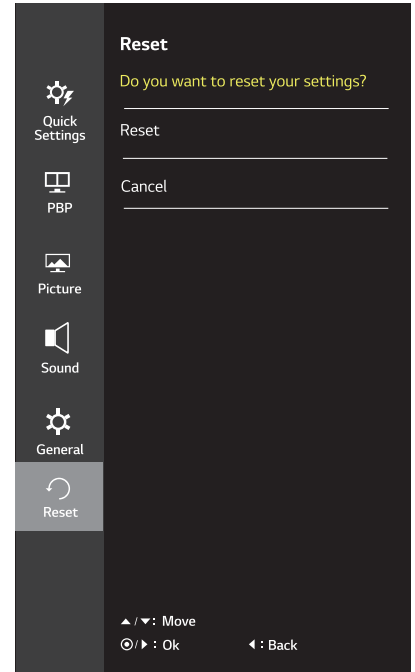
| Menu > General | Description | |
|---|--|---|
| Language | Sets the menu screen to the desired language. | |
| SMART ENERGY SAVING | High | Saves energy using the high-efficiency SMART ENERGY SAVING feature. |
| | Low | Saves energy using the low-efficiency SMART ENERGY SAVING feature. |
| | Off | Disables the SMART ENERGY SAVING feature. |
| Power LED | Turns the power LED on the front of the monitor on or off. | |
| | On | The power LED turns on automatically. |
| | Off | The power LED turns off. |
| Automatic Standby | Feature that automatically turns off the monitor when there is no movement on the screen for a period of time. You can set a timer for the auto-off function. (Off, 4 H, 6 H, and 8 H) | |
| Buzzer | This feature lets you set the sound generated from Buzzer when your monitor powers on to On or Off. | |
| | On | Enables your monitor's Buzzer. |
| | Off | Disables your monitor's Buzzer. |
| OSD Lock | Prevents incorrect key input. | |
| | On | Disables key input. |
| | Off | Enables key input. |
| <div style="border: 1px solid black; padding: 10px;"> <p>NOTE</p> <ul style="list-style-type: none"> • All features are disabled except Brightness, Contrast, Volume, Input in Quick Settings, OSD Lock in General, and the Exit button. </div> | | |

NOTE

- Saving Data depends on the Panel. So, those values should be different from each panel and panel vendor. If option of SMART ENERGY SAVING is High or Low, monitor luminance becomes higher or lower depending on source.

-Reset

- 1 To view the **OSD menu**, press the **joystick button** at the bottom of the monitor and then enter the **Menu**.
- 2 Go to **Reset** by moving the joystick.
- 3 Configure the options following the instructions that appear in the bottom right corner.
- 4 To return to the upper menu or set other menu items, move the joystick to ◀ or pressing (⊙ / OK) it.
- 5 If you want to exit the OSD menu, move the joystick to ◀ until you exit.



Each option is described below.

| Menu > Reset | Description |
|--|----------------------------------|
| Do you want to reset your settings? | |
| Reset | Returns to the default settings. |
| Cancel | Cancel the select. |

TROUBLESHOOTING

| Nothing is displayed on the screen. | |
|---|--|
| Is the monitor's power cord plugged in? | <ul style="list-style-type: none"> • Check if the power cord is correctly plugged into the power outlet. |
| Is the power LED on? | <ul style="list-style-type: none"> • Check the power cable connection and press the power button. |
| Is the power on and the power LED displaying white? | <ul style="list-style-type: none"> • Check that the connected input is enabled (Menu > Quick Settings > Input). |
| Is the power LED blinking? | <ul style="list-style-type: none"> • If the monitor is in sleep mode, move the mouse, or press any key on the keyboard, to switch the display on. • Check if the computer is turned on. |
| Is the OUT OF RANGE message being displayed? | <ul style="list-style-type: none"> • This occurs when signals transferred from the PC (graphics card) are out of the horizontal or vertical frequency range of the monitor. Please see the Product Specification section of this manual to set the appropriate frequency. |
| Is the No Signal message being displayed? | <ul style="list-style-type: none"> • This is displayed when the signal cable between the PC and the monitor is missing or disconnected. Check the cable and reconnect it. |

| The OSD lock message is being displayed. | |
|--|---|
| Are some functions not available when you press the Menu button? | <ul style="list-style-type: none"> • The OSD is locked. Go to Menu > General and set OSD Lock to Off. |

| The screen retains an image. | |
|--|---|
| Does image sticking occur even when the monitor is turned off? | <ul style="list-style-type: none"> • Displaying a still image for a prolonged time may cause damage to the screen, resulting in the retention of the image. • To extend the lifetime of the monitor, use a screensaver. |

| Screen display is unstable and shaky / Images displayed on the monitor leave shadow trails. | |
|---|---|
| Did you select the appropriate resolution? | <ul style="list-style-type: none"> • If the selected resolution is HDMI 1080i 60/50 Hz (interlaced), the screen may be flickering. Change the resolution to 1080P or the recommended resolution. |

NOTE

- **Vertical frequency** In order to display an image, the screen must be refreshed dozens of times per second, like a fluorescent lamp. The number of times the screen is refreshed per second is called vertical frequency, or refresh rate, and is represented by Hz.
- **Horizontal frequency** The time it takes to display one horizontal line is called the horizontal cycle. If 1 is divided by the horizontal interval, the result is the number of horizontal lines displayed per second. This is called horizontal frequency and is represented by kHz.

**NOTE**

- Check if the graphics card's resolution or frequency is within the range allowed by the monitor and set it to the recommended (optimal) resolution in **Control Panel > Display > settings**.
- Not setting the graphics card to the recommended (optimal) resolution may result in blurred text, a dimmed screen, a truncated display area, or misalignment of the display.
- The setting methods may be different depending on the computer or operating system, and some resolutions may not be available depending on the performance of the graphics card. If this is the case, contact the manufacturer of the computer or graphics card for assistance.
- Some graphics cards may not support 2560x1080 resolution. If the resolution cannot be displayed, contact the manufacturer of your graphics card.

| The display color is abnormal. | |
|---|---|
| Does the display appear discolored (16 colors)? | <ul style="list-style-type: none"> • Set the color to 24 bit (true color) or higher. In Windows, go to Control Panel > Display > Settings > Color Quality. |
| Does the display color appear unstable or monochrome? | <ul style="list-style-type: none"> • Check if the signal cable is connected properly. Reconnect the cable or reinsert the PC's graphics card. |
| Are there spots on the screen? | <ul style="list-style-type: none"> • When using the monitor, pixilated spots (red, green, blue, white, or black) may appear on the screen. This is normal for an LCD screen. It is not an error, nor is it related to the monitor's performance. |

| Do you see an "Unrecognized monitor, Plug&Play (VESA DDC) monitor found" message? | |
|--|--|
| Have you installed the display driver? | <ul style="list-style-type: none"> • Be sure to install the display driver from the display driver CD (or diskette) that comes with your display. Or, you can also download the driver from our web site: http://www.lg.com. • Make sure to check if the video card supports Plug&Play function. |

| No sound from the headphone port or speaker. | |
|---|---|
| Are images displayed using DisplayPort or HDMI input without sound? | <ul style="list-style-type: none"> • Try increasing the volume using the button on the monitor. • Set the audio output of the PC to the monitor you are using. On Microsoft Windows, go to Control Panel > Hardware and Sound > Sound > set the monitor as default device. |

SPECIFICATIONS

29UM68

| | | |
|----------------------------|---|--|
| LCD Screen | Type | TFT (Thin Film Transistor) LCD (Liquid Crystal Display) Screen |
| | Pixel Pitch | 0.2628 mm x 0.2628 mm |
| Resolution | Maximum Resolution | 2560 x 1080 @ 60 Hz |
| | Recommended Resolution | 2560 x 1080 @ 60 Hz |
| Video Signal | Horizontal Frequency | 30 kHz to 90 kHz |
| | Vertical Frequency | HDMI:(AV)25Hz to 60 Hz (PC)56Hz to 75 Hz DP: 56 Hz to 75 Hz |
| | Synchronization | Separate Sync. |
| Input Connector | HDMI IN1, HDMI IN2 , DP(DisplayPort) IN, H/P | |
| Power | Voltage | 19 V --- 2.4 A |
| | Power consumption (Typ.) | On mode: 31 W (ENERGY STAR® standard)* Sleep Mode ≤ 0.5 W Off Mode ≤ 0.3 W |
| AC/DC adaptor | Type DA-48F19, Asian Power Devices Inc. production Or type LCAP35, LIEN CHANG ELECTRONIC ENTERPRISE production Or type PA-1480-11, Lite-On Technology Corporation production Output: 19 V --- 2.53 A | |
| Environmental Conditions | Operating Condition | Temperature: 0°C to 40°C; Humidity: < 80% |
| | Storing Condition | Temperature: -20°C to 60°C; Humidity: < 85% |
| Stand Angle Adjustment | Forwards/Backwards: -5° to 20° (Head) | |
| Dimension | Monitor Size (Width x Height x Depth) | |
| | With Stand | 702.5 mm x 414.0 mm x 204.7 mm |
| | Without Stand | 702.5 mm x 328.4 mm x 63.8 mm |
| Weight (Without Packaging) | 5.4 kg | |

The specifications are subject to change without notice.

* The power consumption level can be different by operating condition and monitor setting.

* The On mode power consumption is measured with ENERGY STAR® test standard.

* ENERGY STAR® is a US registered mark of the United States Environmental Protection Agency.

SPECIFICATIONS

34UM68

| | | |
|----------------------------|---|--|
| LCD Screen | Type | TFT (Thin Film Transistor) LCD (Liquid Crystal Display) Screen |
| | Pixel Pitch | 0.312(H) mm x 0.310(V) mm |
| Resolution | Maximum Resolution | 2560 x 1080 @ 60 Hz |
| | Recommended Resolution | 2560 x 1080 @ 60 Hz |
| Video Signal | Horizontal Frequency | 30 kHz to 90 kHz |
| | Vertical Frequency | HDMI:(AV)25Hz to 60 Hz (PC)56Hz to 75 Hz DP: 56 Hz to 75 Hz |
| | Synchronization | Separate Sync. |
| Input Connector | HDMI IN1, HDMI IN2 , DP(DisplayPort) IN, H/P | |
| Power | Voltage | 19 V --- 3.3 A |
| | Power consumption (Typ.) | On mode: 43 W (ENERGY STAR® standard)* Sleep Mode ≤ 0.5 W Off Mode ≤ 0.3 W |
| AC/DC adaptor | Type DA-65G 19, Asian Power Devices Inc. production Or type LCAP39, LIEN CHANG ELECTRONIC ENTERPRISE production Output: 19 V --- 3.42 A | |
| Environmental Conditions | Operating Condition | Temperature: 0°C to 40°C; Humidity: < 80% |
| | Storing Condition | Temperature: -20°C to 60°C; Humidity: < 85% |
| Stand Angle Adjustment | Forwards/Backwards: -5° to 20° (Head) | |
| Dimension | Monitor Size (Width x Height x Depth) | |
| | With Stand | 829.9 mm x 428.9 mm x 252.4 mm |
| | Without Stand | 829.9 mm x 379.8 mm x 49.2 mm |
| Weight (Without Packaging) | 8.0 kg | |

The specifications are subject to change without notice.

* The power consumption level can be different by operating condition and monitor setting.

* The On mode power consumption is measured with ENERGY STAR® test standard.

* ENERGY STAR® is a US registered mark of the United States Environmental Protection Agency.

Factory support mode (HDMI/ DisplayPort)

| Display Modes (Resolution) | Horizontal Frequency(kHz) | Vertical Frequency(Hz) | Polarity(H/V) | Remarks |
|----------------------------|---------------------------|------------------------|---------------|---------|
| 720 x 400 | 31.468 | 70.08 | -/+ | |
| 640 x 480 | 31.469 | 59.94 | -/- | |
| 640 x 480 | 37.5 | 75 | -/- | |
| 800 x 600 | 37.879 | 60.317 | +/+ | |
| 800 x 600 | 46.875 | 75 | +/+ | |
| 1024 x 768 | 48.363 | 60 | -/- | |
| 1024 x 768 | 60.123 | 75.029 | +/+ | |
| 1152 x 864 | 67.5 | 75 | +/+ | |
| 1280 x 720 | 45 | 60 | +/+ | |
| 1280 x 1024 | 63.981 | 60.02 | +/+ | |
| 1280 x 1024 | 79.976 | 75.025 | +/+ | |
| 1600 x 900 | 60 | 60 | +/+ | |
| 1680 x 1050 | 65.290 | 59.954 | -/+ | |
| 1920 x 1080 | 67.5 | 60 | +/- | |
| 2560 x 1080 | 66.7 | 60 | -/+ | |
| 1280 x 1080 (PBP only) | 67.5 | 60 | -/+ | |

HDMI Timing (Video)

| Factory support mode (Preset Mode) | Horizontal Frequency(kHz) | Vertical Frequency(Hz) | Remarks |
|------------------------------------|---------------------------|------------------------|---------|
| 480P | 31.50 | 60 | |
| 576P | 31.25 | 50 | |
| 720P | 37.50 | 50 | |
| 720P | 45.00 | 60 | |
| 1080P | 56.25 | 50 | |
| 1080P | 67.50 | 60 | |

Indicator

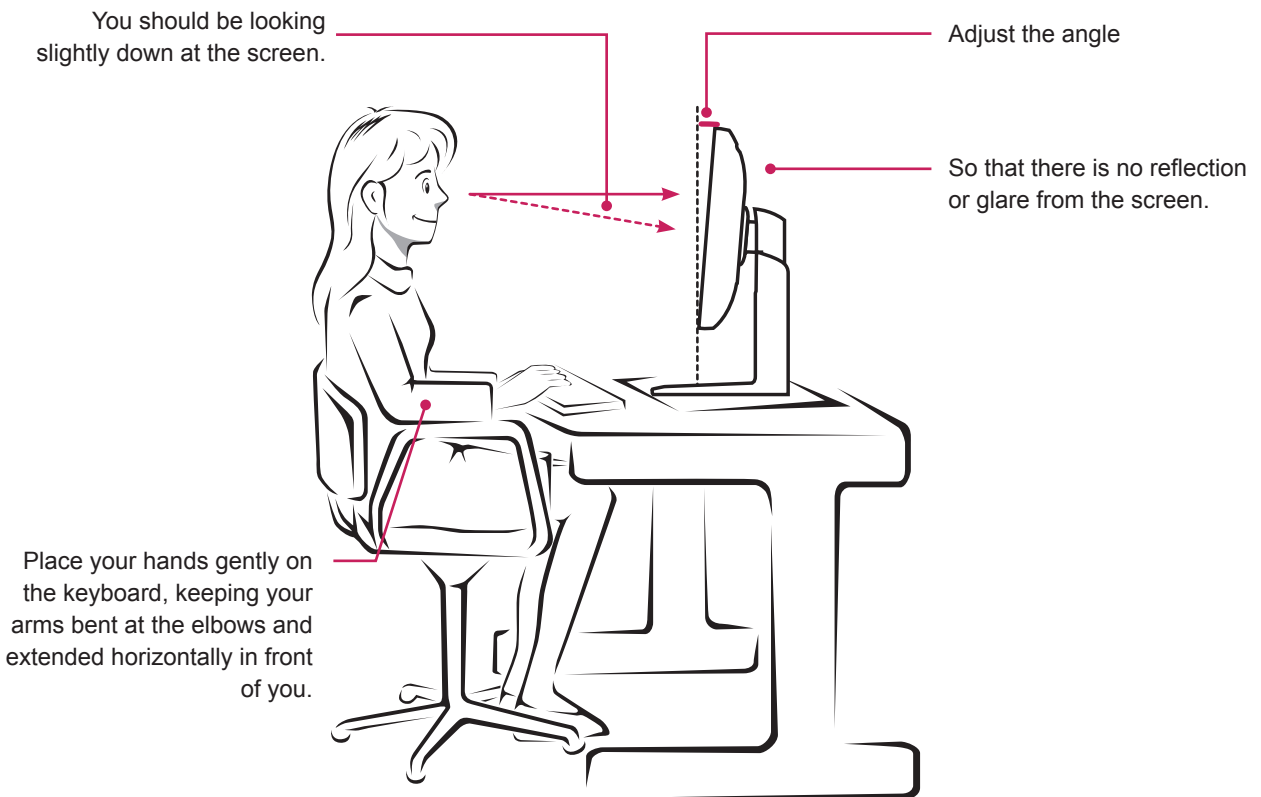
| Mode | LED Color |
|------------|-------------------------|
| On Mode | White (Only 15 seconds) |
| Sleep Mode | Blinking White |
| Off Mode | Off |

PROPER POSTURE

Proper Posture for Using the Monitor

Adjust the screen so that you can comfortably view at a slight downward angle from your natural eye level.

- Take a break for approximately ten minutes every hour to reduce any fatigue caused by long-time usage.
- The stand of the touch monitor allows the product to be used in the optimum position. Adjust the stand angle to obtain the best view of the screen.





To obtain the source code under GPL, LGPL, MPL, and other open source licenses, that is contained in this product, please visit <http://opensource.lge.com>. In addition to the source code, all referred license terms, warranty disclaimers and copyright notices are available for download. LG Electronics will also provide open source code to you on CD-ROM for a charge covering the cost of performing such distribution (such as the cost of media, shipping, and handling) upon email request to opensource@lge.com. This offer is valid for three (3) years from the date on which you purchased the product.

Declaration of Conformity

Trade Name: LG
Model : 29UM68, 34UM68
Responsible Party: LG Electronics Inc.
Address : 1000 Sylvan Ave. Englewood Cliffs
NJ 07632 U.S.A
TEL: 201-266-2534

*above information is only for USA FCC Regulatory

This device meets the EMC requirements for home appliances (Class B) and is intended for home usage. This device can be used in all regions. Read the owner's manual (CD) carefully and keep it at hand. Please note that the label attached to the product provides information for technical support.

MODEL _____

SERIAL _____

ENERGY STAR is a set of power-saving guidelines issued by the U.S. Environmental Protection Agency (EPA).



As an ENERGY STAR Partner LGE U. S. A., Inc. has determined that this product meets the ENERGY STAR guidelines for energy efficiency.

Refer to ENERGY STAR.gov for more information on the ENERGY STAR program.