

DS-2CD2312WD-I

1.3 MP EXIR Turret Network Camera



- 1/3" (1.3 MP) Progressive Scan CMOS
- 1280 x 960 Resolution @ 30 fps
- EXIR Range up to 100 ft (30 m)
- 2.8 mm, 4 mm, 6 mm, 8 mm, and 12 mm Lens Options
- H.264+, H.264, MJPEG
- 3D DNR, DWDR, BLC
- IP67 Protection
- 12 VDC and PoE (802.3af)

Hikvision's DS-2CD2312WD-I EXIR Turret Network Camera provides important new technology for any security application. The 2.8 mm, 4 mm, 6 mm, 8 mm, and 12 mm lens options provide 92.5° to 22° viewing angles. The camera features an EXIR range of up to 100 ft (30 m) for optimal nighttime viewing, and offers IP67 water protection.

Available models:
DS-2CD2312WD-I



Specifications

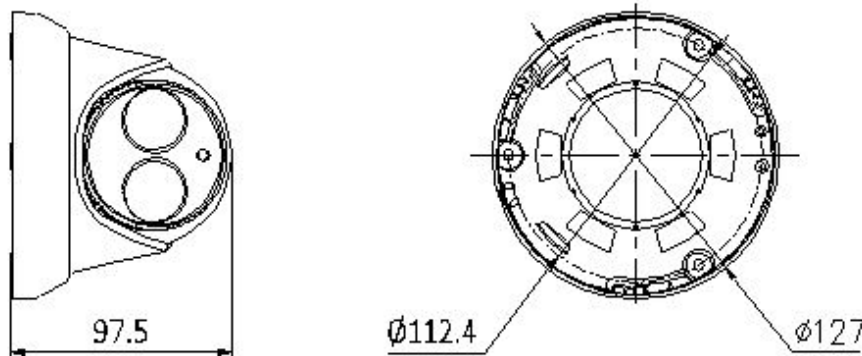
DS-2CD2312WD-I

Camera	
Image Sensor	1/3" progressive scan CMOS
Minimum Illumination	0.01lux @ (F1.2, AGC ON) , 0 lux with IR
Shutter Time	1/3 s to 1/100,000 s
Lens	4 mm @ f/2.0 (2.8 mm, 6 mm, 8 mm, 12 mm optional); angle of view: 92.5° (2.8 mm), 73.1° (4 mm), 46° (6 mm), 35.52° (8 mm), 22° (12 mm)
Lens Mount	M12
Day & Night	IR cut filter with auto switch
Digital Noise Reduction	3D DNR
WDR	Digital WDR
Angle Adjustment	Pan:0° to 360°, Tilt: 0° to 75°, Rotation: 0° to 360°
Backlight Compensation	Yes, zone configurable
Compression Standard	
Video Compression	H.264+ / H.264 / MJPEG
H.264 Type	Main profile
Video Bit Rate	32 Kbps to 12 Mbps
Dual Streams	Supported
Image	
Maximum Resolution	1280 × 960
Maximum Frame Rate	30 fps (1280 × 960), 30 fps (1280 × 720), 30 fps (704 × 576), 30 fps (640 × 480)
Image Setting	Rotate mode, saturation, brightness, contrast, sharpness adjustable by client software or web browser
ROI	Supported
Network	
Network Storage	NAS (Support NFS, SMB/CIFS)
Alarm Trigger	Line crossing, intrusion detection, motion detection, tampering alarm, storage exception
Protocols	TCP/IP, ICMP, HTTP, HTTPS, FTP, DHCP, DNS, DDNS, RTP, RTSP, RTCP, PPPoE, NTP, UPnP, SMTP, SNMP, IGMP, 802.1X, QoS, IPv6, Bonjour
General	Flickerless, heartbeat, mirror, privacy mask, watermark, IP address filtering, anonymous access
Standard	ONVIF, ISAPI
Interface	
Communication Interface	1 RJ45 10M/100M Ethernet port
General	
Operating Conditions	14° F to 140° F (-30° C to 60° C); humidity: 95% or less (non-condensing)
Power Supply	12 VDC ± 10%, PoE (802.3af)
Power Consumption	Maximum 7.5 W (7.5 W with ICR on)
Environmental Rating	IP67
IR Range	100 ft (30 m)
Dimensions	Ø 5.0" × 3.8" (127 mm × 97.5 mm)
Weight	1.26 lbs (0.57 kg)

Accessories



Dimensions



Unit: mm