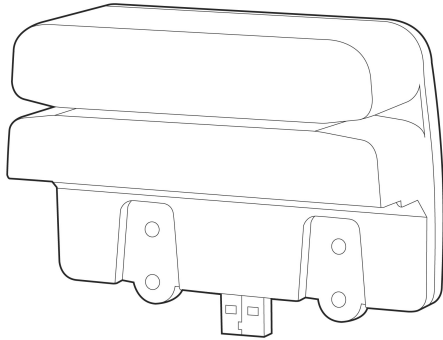
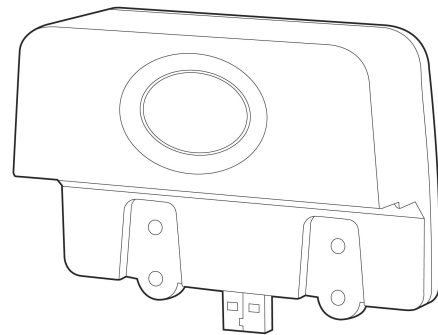


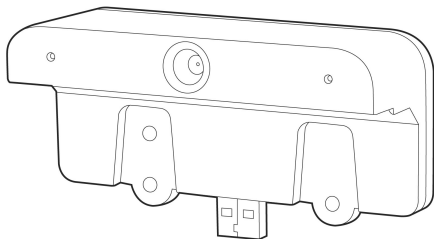
Overview



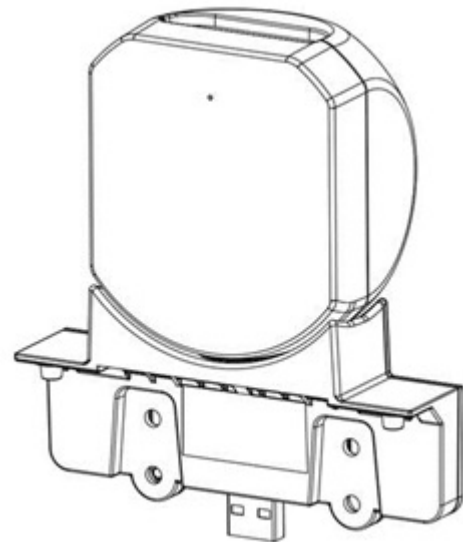
HP Retail Integrated Dual-Head Magnetic Stripe Reader (MSR)



HP Retail Integrated Fingerprint Reader

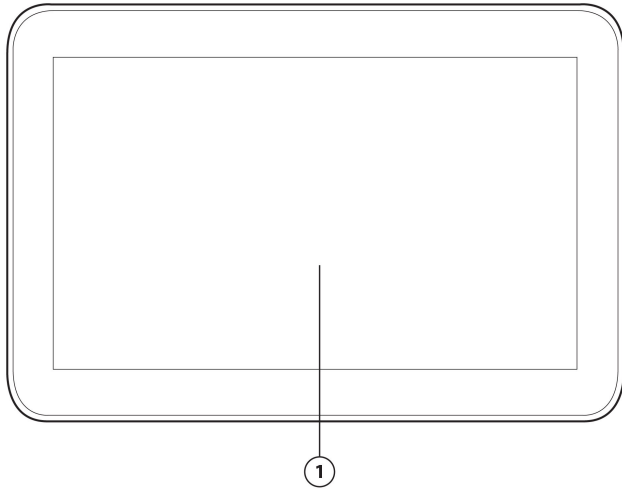


HP Retail Integrated Webcam

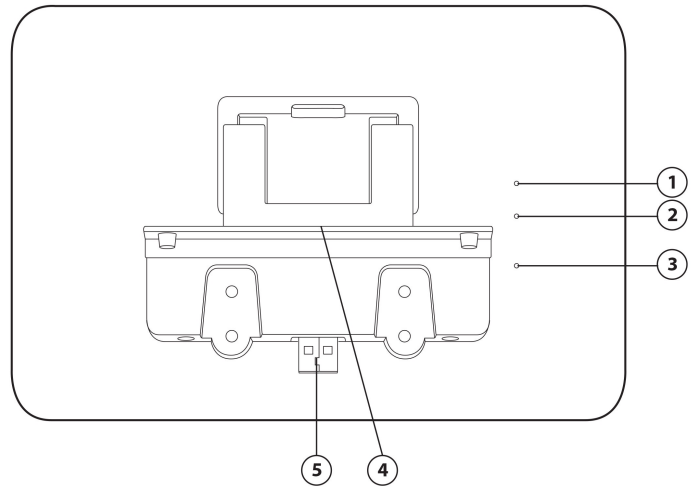


HP Retail Integrated Barcode Scanner

Overview



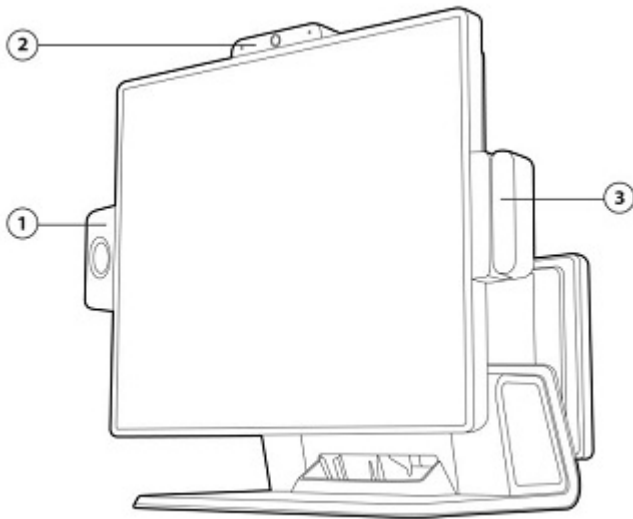
HP Retail Integrated 7-inch CFD (Front)



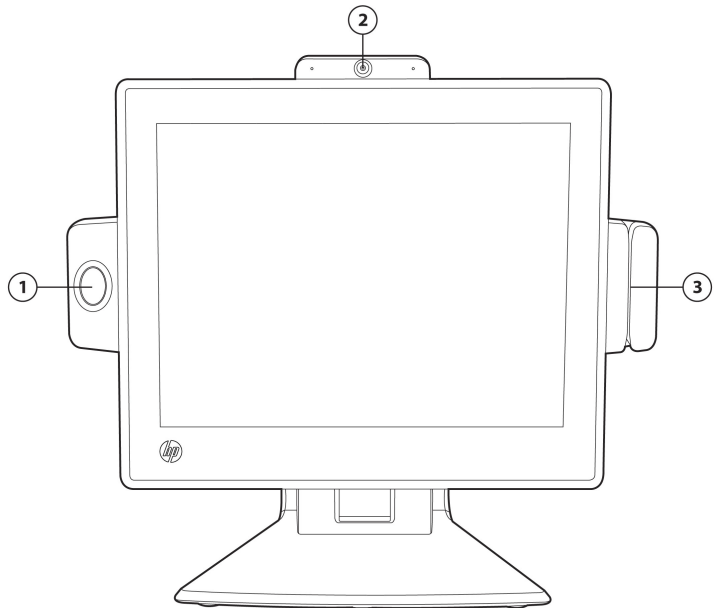
HP Retail Integrated 7-inch CFD (Rear)

Installation examples

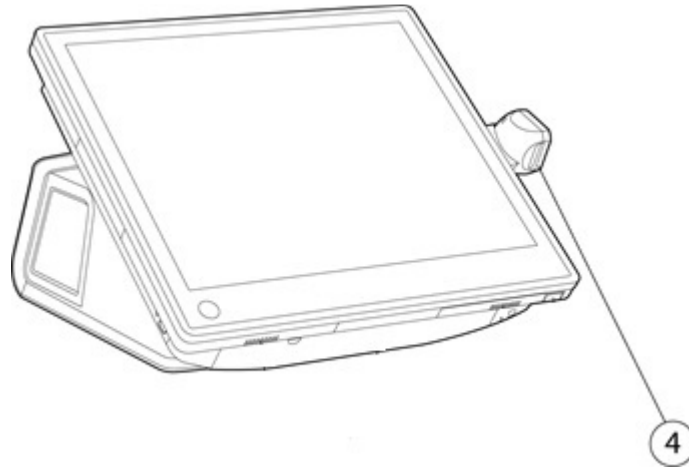
HP RP7 Retail System



HP L6015tm Retail Touch Monitor (shown with optional stand)



Overview



1. HP Retail Integrated Fingerprint Reader
2. HP Retail Integrated Webcam
3. HP Retail Integrated Dual-Head MSR
4. HP Retail Integrated Barcode Scanner

Models

HP Retail Integrated Dual-Head MSR	Part Number: QZ673AA
HP Retail Integrated Fingerprint Reader	Part Number: QZ672AA
HP Retail Integrated Webcam	Part Number: QZ700AA
HP Retail Integrated Barcode Scanner	Part Number: E1L07AA
HP Retail Integrated 7-inch CFD	Part Number: F7A92AA

Introduction

The following HP Retail Integrated Peripherals (all sold separately) are designed to complement the HP RP7 Retail System and the HP L6015tm and L6017tm Touch Monitors to offer retailers a more seamless solution. The peripherals can be installed in any of the four ports on each side of the monitor to best fit the needs of your environment.

HP does not support the use of any other standard USB device in the four ports around the display beyond the HP Retail Integrated Dual-Head MSR (QZ673AA), HP Retail Integrated Fingerprint Reader (QZ672AA), HP Retail Integrated Webcam (QZ700AA), and HP Retail Integrated Barcode Scanner (E1L07AA).¹

Overview

Key Features and Benefits

HP Retail Integrated Dual-Head MSR (QZ673AA)

- Enables credit card transactions without adding clutter to the POS work space
- Bi-directional swipe for ease of use
- Audio good read indicators allow employees to swipe with confidence of a successful read

HP Retail Integrated Fingerprint Reader (QZ672AA)

- Eliminates password sign-in hassles and buddy-sign-in
- Enables employee authentication so only authorized associates have access to appropriate applications and functions on the terminal
- Allows for secure manager approvals and transaction overrides.
- Requires fingerprint reader-enabled software/application (sold separately)

HP Retail Integrated Webcam (QZ700AA)

- Enables interactive technical support for POS serviceability
- Supports personalized customer interface with online/remote Customer Service Representatives in a kiosk setup
- Internet access, sold separately, is required for transmission of still images and video over a network

HP Retail Integrated Barcode Scanner (E1L07AA)

- Quickly and accurately reads 1D and 2D barcodes, including driver's licenses and codes from mobile device screens.
- Confirm a successful read with audible and visual good read indicators.
- Swivel the adjustable scanner as needed to get the best read.
- Maximize available work space by replacing a handheld or counter-mounted scanner.
- Easily integrates into any of the four USB ports on the display for customizable positioning

HP Retail Integrated 7-inch CFD (F7A92AA)

- Give customers a clear view of their transactions
- Share engaging, colorful, dynamic content at the point-of-sale
- Integrates easily into your retail solution
- The USB bezel connector powers the CFD and eliminates the need for additional cabling
- The edge-to-edge, bezel-less design is easy to clean, helps provide protection from dust, and creates a sleek, modern appearance.

Compatibility

The HP Retail Integrated Peripherals are compatible with the HP RP7 Retail System and the HP L6015tm and L6017tm Touch Monitors.

Service and Support

Your HP Peripheral Limited Warranty is a three (3) year (HP Option Limited Warranty Period) parts replacement warranty.

Technical Specifications

HP Retail Integrated Dual-Head MSR (QZ673AA)

General	Magnetic stripe formats	ISO 7811, AAMVA
	Card thickness	0.015 to 0.045 in (0.38 to 1.14 mm)
	Indicators	Audio
Mechanical	Dimensions (LxWxH)	3.94in x 3.06in x 1.34in (99.98mm x 77.8mm x 34mm)
	Weight	4.06 oz (115g)
	Slot width	0.45 in (0.114 cm)
	Color	HP Black
Interface/ Connection	Interface	USB 2.0
	Connection	Type A
Power	Voltage (typical)	5.0V +/- 5% supplied by USB, 50mV ripple max
	Current consumption (typical)	40mA max
Drivers		Windows Native, OPOS, JPOS
Operating Systems	Compatibility	Microsoft Windows 7 Professional
		Microsoft Windows 7 Professional 32-bit
		Microsoft Windows 7 Professional 64-bit
		Microsoft Windows Embedded POSReady 2009
		Microsoft Windows Embedded POSReady 7 32-bit
		Microsoft Windows Embedded POSReady 7 64-bit
		Microsoft Windows XP Professional
Option Kit Contents	Retail Integrated Dual-Head MSR, HP Point of Sale System Software and Documentation CD.	

HP Retail Integrated Fingerprint Reader (QZ672AA)

General	Scan Data	8-bit grayscale (256 levels of gray)
	Pixel resolution	512 dpi (average x,y over the scan area)
	Scan capture area	14.6 mm (nom. width at center) 18.1 mm (nom. length)
Mechanical	Dimensions (LxWxH)	3.94in x 3.06in x 1.34in (99.98mm x 77.8mm x 34mm)
	Weight	x 1.34in (99.98mm x 77.8mm x 34mm)
		Weight
	Color	HP Black
Interface/ Connection	Interface	USB 2.0
Power	Supply Voltage	5.0V ±5% supplied by USB
	Supply Current scanning	< 100 mA (Typical)
	Supply Current idle mode 1	20 mA (Typical)
	Supply Current—suspend mode	< 0.5 mA (Maximum)
Environmental	Temperature	Operating 0 - 40 C
	Humidity	Operating 20% - 80% non-condensing
Drivers		Windows Native
Operating Systems	Compatibility	Microsoft Windows 7 Professional
		Microsoft Windows 7 Professional 32-bit

Technical Specifications

Microsoft Windows 7 Professional 64-bit
 Microsoft Windows Embedded POSReady 2009
 Microsoft Windows Embedded POSReady 7 32-bit
 Microsoft Windows Embedded POSReady 7 64-bit
 Microsoft Windows XP Professional

Option Kit Contents HP Retail Integrated Fingerprint Reader, HP Point of Sale System Software and Documentation CD.

HP Retail Integrated Webcam (QZ700AA)¹

General	CMOS Sensor	OV9726
	Resolution	HD: 1280x720
	Image Control	Automatic Exposure, Automatic White Balance, Automatic Gain
	Field of View	74.9°
	Focus Distance	19.69 in (500 mm)
	Focus Range	20.5cm ~ infinity
	Microphone	Yes (2, Stereo)
Mechanical	Dimensions (LxWxH)	3.94in x 1.77in x 1.34in (100mm x 44.9mm x 34mm)
	Weight	2.05 oz (58g)
	Color	HP Black
Interface/ Connection	Interface	USB 2.0
Power	Voltage (typical)	3.3V (5V to 3.3V conversion board inside Webcam module to make it USB compatible)
	Current consumption (typical)	150mA
Drivers		Windows Native
Operating Systems	Compatibility	Microsoft Windows 7 Professional Microsoft Windows 7 Professional 32-bit Microsoft Windows 7 Professional 64-bit Microsoft Windows Embedded POSReady 2009 Microsoft Windows Embedded POSReady 7 32-bit Microsoft Windows Embedded POSReady 7 64-bit Microsoft Windows XP Professional
Option Kit Contents	HP Retail Integrated Webcam, HP Installation Guide.	

HP Retail Integrated Barcode Scanner E1L07AA/E6N62AV

General	Indicators	Audible and visual read indicators
	Scan direction	Omni-directional
Symbologies	1D / Linear Codes	Autodiscriminates all standard 1D codes including GS1 DataBar™ linear codes.
	2D Codes	Aztec Code; China Han Xin Code; Data Matrix; MaxiCode; Micro QR Code; QR Code
	Postal codes	Australian Post; British Post; China Post; IMB; Japanese Post; KIX Post; Korea Post; Planet Code; Postnet; Royal Mail Code (RM4SCC)

Technical Specifications

	Stacked codes	EAN/JAN Composites; GS1 DataBar Composites;GS1 DataBar Expanded Stacked; GS1 DataBar Stacked;GS1 DataBar Stacked Omnidirect
Depth of field	Code 39: 5 mils	4.7 to 17.7 cm (1.8 to 7.0 in)
	Code 39: 10 mils	1.7 to 33.2 cm (0.7 to 13.1 in)
	Data Matrix: 10 mils	2.7 to 17.1 cm (1.0 to 6.7 in)
	Data Matrix: 15 mils	1.2 to 24.6 cm (0.5 to 9.7 in)
	EAN: 13 mils	2.5 to 41.9 cm (1.0 to 16.5 in)
	PDF417: 10 mils	2.2 to 23.9 cm (0.9 to 9.4 in)
	QR Code: 10 mils	3.5 to 16.0 cm (1.4 to 6.3 in)
Mechanical	Dimensions (LxWxH)	4.63 x 3.94 x 2.09 in
	Weight	6.1 ounces (172g) (approximately)
	Adjustability	±120°(side to side), ±1.5° +90°/-5°(down/up), ±1.5°
Interface/ Connection	Color	HP Black
	Interface	USB 2.0
	Connection	Type A
Power	Voltage (typical)	5.0V +/- 5% supplied by USB
	Current consumption (typical)	<180mA
Drivers	Windows Native, OPOS, JPOS	
Operating Systems	Compatibility	Windows 8 Professional (64-bit)* Windows 8 Professional (32-bit)* Windows 7 Professional 32-bit** Windows 7 Professional 64-bit** Windows Embedded POSReady 2009 Windows Embedded POSReady 7 32-bit Windows Embedded POSReady 7 64-bit Microsoft Windows XP Professional
		*Not all features are available in all editions of Windows 8. Systems may require upgraded and/or separately purchased hardware, drivers and/or software to take full advantage of Windows 8 functionality. See http://www.microsoft.com .
Options Kit Contents	HP Retail Integrated Barcode Scanner, HP Point of Sale System Software and Documentation CD. Drivers for the HP Retail Integrated Barcode Scanner are on www.hp.com , listed under the RP7 Model 7100, RP7 model 7800, HP L6015tm monitor, and HP L6017tm monitors.	

Technical Specifications

HP Retail Integrated 7-inch CFD F7A92AA

General	Display Type	LCD, backlit LED
	Resolution	1024x600 (fixed)
	Dot Pitch	0.05(W) × 0.15(H) mm
	Active area	153.6(W) × 90.0(H) mm
	Contrast ratio	700:1 (max)
	Brightness	250 cd/m ²
	Response rate	Response rate 30ms (rise+fall time)
	Viewing Angle (of LCD Panel)	Left: 75°, Right: 75°, Top: 70°, Bottom: 75°
	Color Gamut	70% (CIE 1931 Standard NTSC)
Mechanical	Dimensions (WxDxH)	185 x 53.5 x 125 (mm)
	Weight	0.69KG (CFD only)
	Adjustability	Tilt Range of Motion - 293°
	Color	HP Black
Interface/Connection	Interface	USB (mounted to the top display USB port only)
Power	Operating Voltage	5V
	Full Load Current	2.5W(DC +5V , 500mA)
	Idle Current	0.64W (DC+5V , 128mA)
Temperature Range	Operating	50° to 104° F (10 to 40° C) at 20% to 85% humidity (non-condensing at ambient)
	Non-operating	-22° to 149° F (-30° to 65° C) at 5% to 90% humidity (non-condensing at ambient)
Drivers	Windows	
Operating System Compatibility	Windows	<ul style="list-style-type: none">• Windows Industry 8/8.1 32 and 64 bit• Windows 8/8.1 Professional 32bit & 64bit• Windows 7 Professional 32 and 64-bit• Windows Embedded POSReady 7 32 and 64-bit• Windows Embedded POSReady 2009• Windows XP Professional
	Option kit contents	HP Retail Integrated 7-inch CFD, HP Point of Sale System Software and Documentation CD

Technical Specifications

© Copyright 2014 Hewlett-Packard Development Company, L.P.

¹Internet access, sold separately, is required for transmission of still images and video over a network.

²HP does not support the use of any other standard USB device beyond the HP Retail Integrated Fingerprint Reader (QZ672AA), HP Retail Integrated Dual-Head MSR (QZ673AA), HP Retail Integrated Webcam (QZ700AA) and HP Integrated Barcode Scanner (E1L07AA).

The information contained herein is subject to change without notice. The only warranties for HP products and services are set forth in the express warranty statements accompanying such products and services. Nothing herein should be construed as constituting an additional warranty. HP shall not be liable for technical or editorial errors or omissions contained herein.