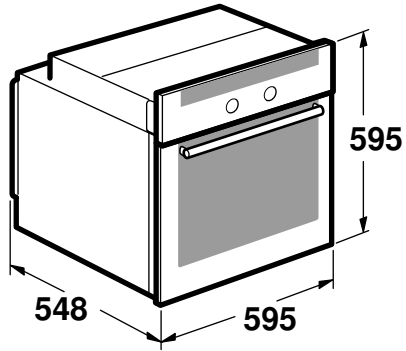
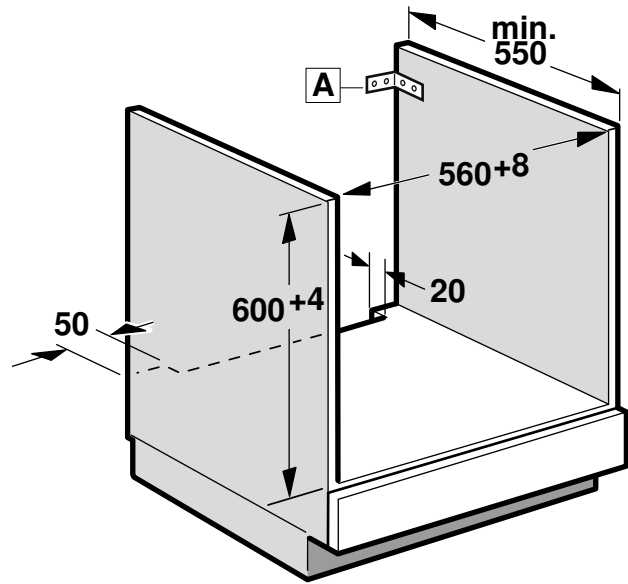
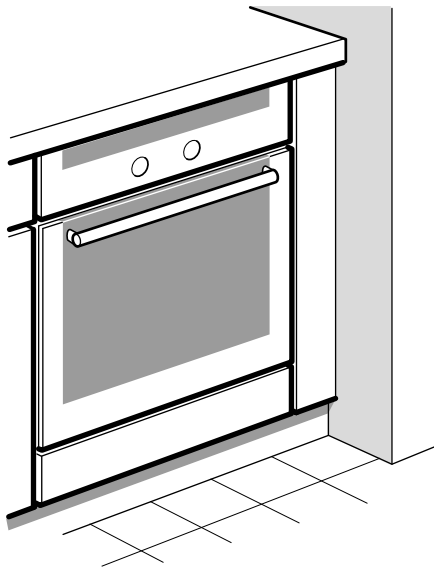




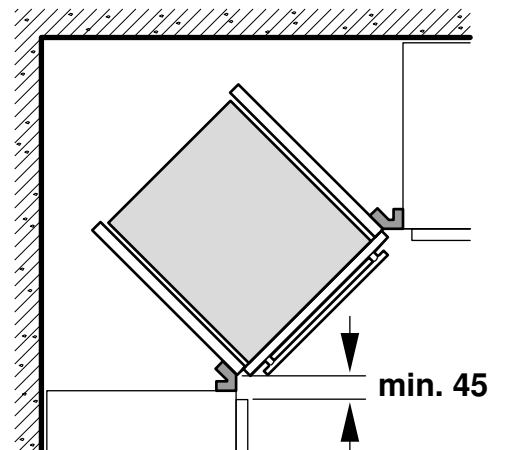
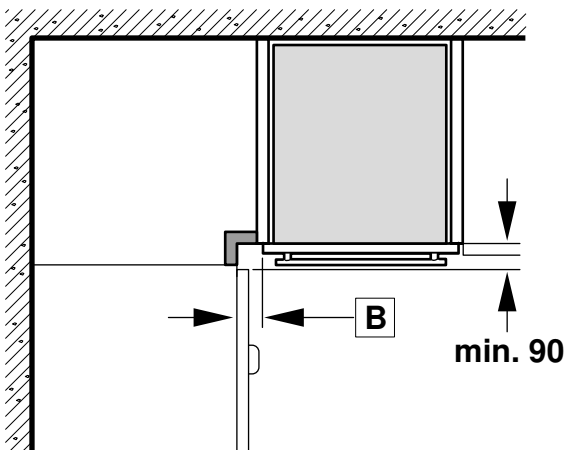
BO



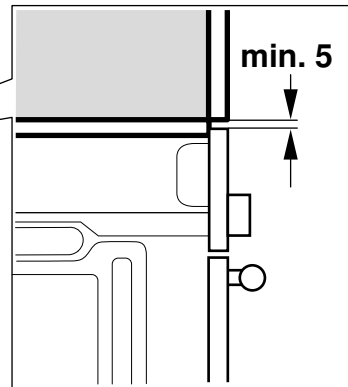
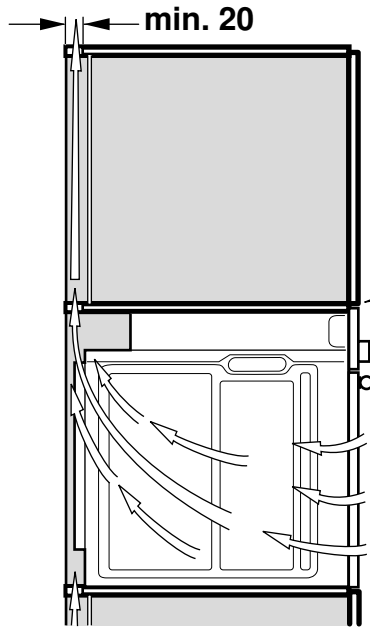
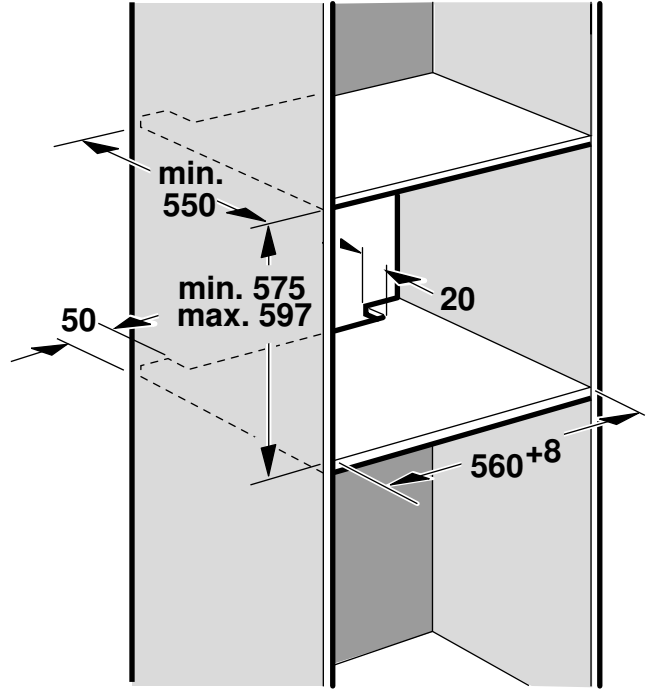
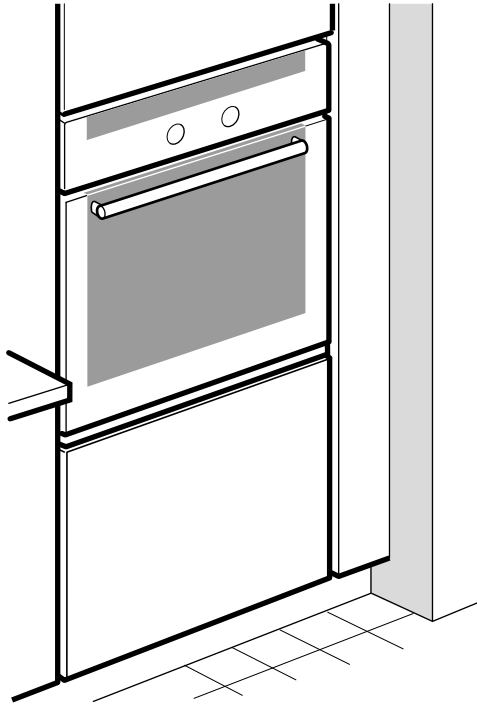
1



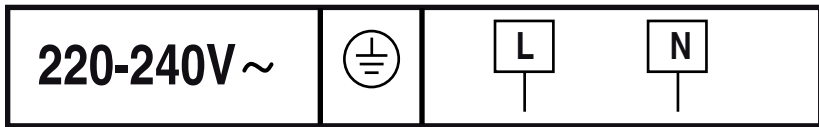
2



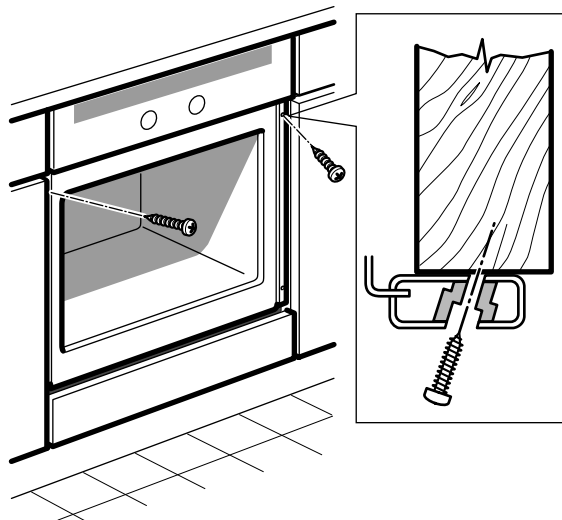
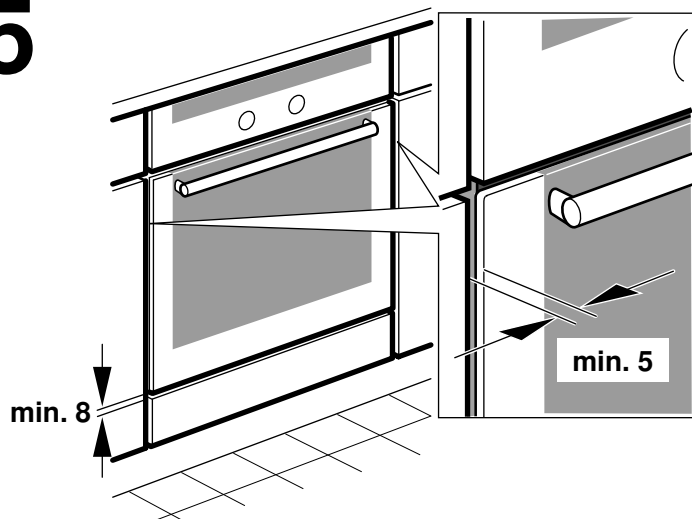
3



4



5



en

Important notes

If the appliance is being installed under a hob, refer to the assembly instructions for the hob.

Do not use the door handle to carry or install the appliance. Before installation, check the appliance for transportation damage.

The appliance must be disconnected from the power supply during all installation work.

Preparing the kitchen units

Safe use of this appliance can only be guaranteed if it has been installed professionally in accordance with these installation instructions. The installer is liable for damages incurred as a result of incorrect installation.

Units into which ovens are to be fitted must be heat-resistant up to 90 °C and adjacent cabinets up to 70 °C.

Carry out all cut-out work on the furniture unit and worktop before fitting the appliances. Remove shavings. Otherwise, the correct operation of electrical components may be adversely affected.

Caution during installation. Parts that are accessible during installation may have sharp edges. Wear protective gloves to prevent injury from cuts.

Secure freestanding units to the wall using standard, commercially available brackets **A**.

Permanently fix furniture units to the worktop.

Appliance under worktop - Fig. 1

To ventilate the appliance, there must be a gap of 20 mm between the intermediate floor and the wall.

The gap between the worktop and the appliance must not be closed using additional battens.

Corner installation - Fig. 2

For corner installation, check minimum clearances. Ensure that there is sufficient clearance **B** for the front panel and its handles. Check that the appliance door can be opened properly.

Appliance in a tall unit - Fig. 3

To ventilate the appliance, there must be a gap of 20 mm between all intermediate floors and the wall.

Only fit the appliance up to a height which allows accessories to be easily removed.

Connecting the appliance to the power supply - Fig. 4

Only a licensed expert may connect the appliance. National regulations apply as well as those of your electricity supplier. Note the information on the nameplate for voltage and total power.

The appliance corresponds to safety class I and may only be operated in conjunction with a safety earth terminal.

Power cord: Type H05 V V-F or a higher rating. The yellow-green wire for the safety earth terminal must be 10 mm longer on the appliance side than the other wires.

In the installation, there must be an all-pin isolating switch with at least 3 mm contact gap, or the appliance must be connected using a plug with an earthing contact. This must remain accessible after installation.

Contact protection must be ensured by the method of installation.

Identify the phase and neutral (zero) conductors in the power socket. The appliance could be damaged if incorrectly connected.

Only connect the hob according to the connection diagram. The connection diagram is on the back of the appliance. See the rating plate for the voltage.

To connect the appliance, place it in front of the kitchen unit. The service cable must be long enough.

Fixing the appliance in place - Fig. 5

1. Fully insert the appliance. Do not kink or trap the power cable, or route it over sharp edges.
2. Centre the appliance.
There must be an air gap of 5 mm between the appliance and adjacent cabinets.
3. Using a spirit level, adjust the appliance so that it is perfectly level.
4. Screw the appliance firmly in place.

Removal

1. Disconnect the appliance from the power supply.
2. Undo the securing screws.
3. Lift the appliance slightly and pull it out completely.