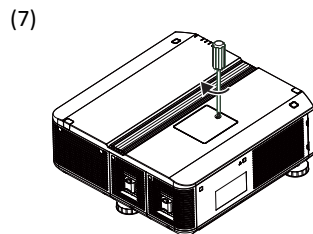
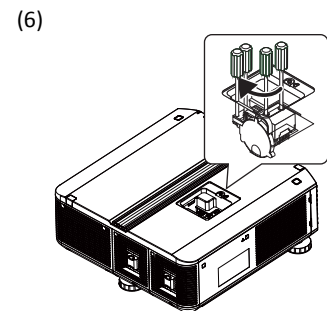
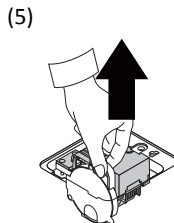
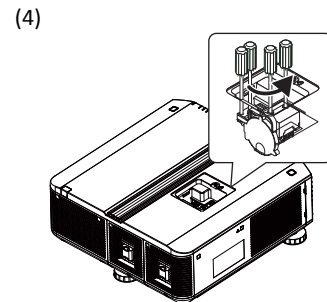
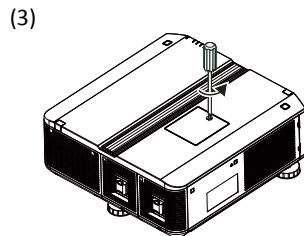
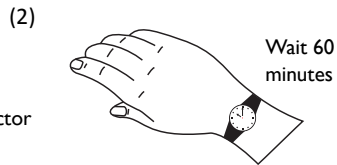
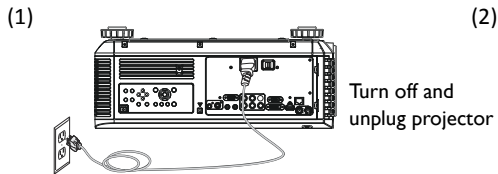


Replacing the color wheel

The color wheel of your projector is user replaceable. The color wheel which was installed by the factory is designed for maximum color brightness and has 6 color segments (RYGCWB). The optional color wheel which came as an accessory is designed for fully saturated color and contains 6 color segments (RGBCMY). Follow the instructions below to replace your color wheel.

- 1 Turn the projector off and unplug the power cord.
- 2 Wait 60 minutes to allow the projector to cool thoroughly.
- 3 Loosen the captive screw on the color wheel cover and lift the door up.
- 4 Loosen the 4 color wheel screws which are marked by arrows.
- 5 Remove the color wheel.
- 6 Align the new color wheel and tighten the 4 captive screws.
- 7 Replace the color wheel cover and tighten the captive screw.
- 8 Plug in the power cord, turn on the power switch and press the **Power** button to turn the projector back on. Note: Connection to a circuit with a minimum of 20A capacity is recommended.



5012092600

