



# **Video Intercom Indoor Station**

Quick Start Guide

**Quick Start Guide**

©2018 Hangzhou Hikvision Digital Technology Co., Ltd.

This quick start guide is intended for users of the models below:

Series	Model
Indoor Station (6-Series)	DS-KH6310-W
	DS-KH6310
	DS-KH6310-WL
	DS-KH6210-L
Indoor Station (8-Series)	DS-KH8301-WT
	DS-KH8300-T

It includes instructions on how to use the Product. The software embodied in the Product is governed by the user license agreement covering that Product.

**About this Manual**

This Manual is subject to domestic and international copyright protection. Hangzhou Hikvision Digital Technology Co., Ltd. (“Hikvision”) reserves all rights to this manual. This manual cannot be reproduced, changed, translated, or distributed, partially or wholly, by any means, without the prior written permission of Hikvision.

**Trademarks**

***HIKVISION*** and other Hikvision marks are the property of Hikvision and are registered trademarks or the subject of applications for the same by Hikvision and/or its affiliates. Other trademarks mentioned in this manual are the properties of their respective owners. No right of license is given to use such trademarks without express permission.

**Disclaimer**

TO THE MAXIMUM EXTENT PERMITTED BY APPLICABLE LAW, HIKVISION MAKES NO WARRANTIES, EXPRESS OR IMPLIED, INCLUDING WITHOUT LIMITATION THE IMPLIED WARRANTIES OF MERCHANTABILITY AND FITNESS FOR A PARTICULAR PURPOSE, REGARDING THIS MANUAL. HIKVISION DOES NOT WARRANT, GUARANTEE, OR MAKE ANY REPRESENTATIONS REGARDING THE USE OF THE MANUAL, OR THE CORRECTNESS, ACCURACY, OR RELIABILITY OF INFORMATION CONTAINED HEREIN. YOUR USE OF THIS MANUAL AND ANY RELIANCE ON THIS MANUAL SHALL BE WHOLLY AT YOUR OWN RISK AND RESPONSIBILITY.

## Video Intercom Indoor Station • Quick Start Guide

---

TO THE MAXIMUM EXTENT PERMITTED BY APPLICABLE LAW, IN NO EVENT WILL HIKVISION, ITS DIRECTORS, OFFICERS, EMPLOYEES, OR AGENTS BE LIABLE TO YOU FOR ANY SPECIAL, CONSEQUENTIAL, INCIDENTAL, OR INDIRECT DAMAGES, INCLUDING, AMONG OTHERS, DAMAGES FOR LOSS OF BUSINESS PROFITS, BUSINESS INTERRUPTION, SECURITY BREACHES, OR LOSS OF DATA OR DOCUMENTATION, IN CONNECTION WITH THE USE OF OR RELIANCE ON THIS MANUAL, EVEN IF HIKVISION HAS BEEN ADVISED OF THE POSSIBILITY OF SUCH DAMAGES.

SOME JURISDICTIONS DO NOT ALLOW THE EXCLUSION OR LIMITATION OF LIABILITY OR CERTAIN DAMAGES, SO SOME OR ALL OF THE ABOVE EXCLUSIONS OR LIMITATIONS MAY NOT APPLY TO YOU.

### **Support**

Should you have any questions, please do not hesitate to contact your local dealer.

## Regulatory Information

### FCC Information

Please take attention that changes or modification not expressly approved by the party responsible for compliance could void the user's authority to operate the equipment.

**FCC compliance:** This equipment has been tested and found to comply with the limits for a Class A digital device, pursuant to part 15 of the FCC Rules. These limits are designed to provide reasonable protection against harmful interference when the equipment is operated in a commercial environment. This equipment generates, uses, and can radiate radio frequency energy and, if not installed and used in accordance with the instruction manual, may cause harmful interference to radio communications. Operation of this equipment in a residential area is likely to cause harmful interference in which case the user will be required to correct the interference at his own expense.

### FCC Conditions

This device complies with part 15 of the FCC Rules. Operation is subject to the following two conditions:

1. This device may not cause harmful interference.
2. This device must accept any interference received, including interference that may cause undesired operation.

### EU Conformity Statement



This product and - if applicable - the supplied accessories too are marked with "CE" and comply therefore with the applicable harmonized European standards listed under the EMC Directive 2014/30/EU, the RoHS Directive 2011/65/EU.



2012/19/EU (WEEE directive): Products marked with this symbol cannot be disposed of as unsorted municipal waste in the European Union. For proper recycling, return this product to your local supplier upon the purchase of equivalent new equipment, or dispose of it at designated collection points. For more information see: [www.recyclethis.info](http://www.recyclethis.info)



2006/66/EC (battery directive): This product contains a battery that cannot be disposed of as unsorted municipal waste in the European Union. See the product documentation for specific battery information. The battery is marked with this symbol, which may include lettering to indicate cadmium (Cd), lead (Pb), or mercury (Hg). For proper recycling, return the battery to your supplier or to a designated collection point. For more information see: [www.recyclethis.info](http://www.recyclethis.info)

### Industry Canada ICES-003 Compliance

This device meets the CAN ICES-3 (A)/NMB-3(A) standards requirements.



## Safety Instruction

These instructions are intended to ensure that user can use the product correctly to avoid danger or property loss.

The precaution measure is divided into **Warnings** and **Cautions**:

**Warnings:** Neglecting any of the warnings may cause serious injury or death.

**Cautions:** Neglecting any of the cautions may cause injury or equipment damage.

	
<b>Warnings</b> Follow these safeguards to prevent serious injury or death.	<b>Cautions</b> Follow these precautions to prevent potential injury or material damage.



### Warnings

- The working temperature of the device is from -10° C to 55° C.
- All the electronic operation should be strictly compliance with the electrical safety regulations, fire prevention regulations and other related regulations in your local region.
- Please use the power adapter, which is provided by normal company. The power consumption cannot be less than the required value.
- Do not connect several devices to one power adapter as adapter overload may cause over-heat or fire hazard.
- Please make sure that the power has been disconnected before you wire, install or dismantle the device.
- When the product is installed on wall or ceiling, the device shall be firmly fixed.
- If smoke, odors or noise rise from the device, turn off the power at once and unplug the power cable, and then please contact the service center.
- If the product does not work properly, please contact your dealer or the nearest service center. Never attempt to disassemble the device yourself. (We shall not assume any responsibility for problems caused by unauthorized repair or maintenance.)



### Cautions

- Do not drop the device or subject it to physical shock, and do not expose it to high electromagnetic radiation. Avoid the equipment installation on vibrations surface or places subject to shock (ignorance can cause equipment damage).
- Do not place the device in extremely hot (refer to the specification of the device for the detailed operating temperature), cold, dusty or damp locations, and do not expose it to high electromagnetic radiation.
- The device cover for indoor use shall be kept from rain and moisture.

## Video Intercom Indoor Station • Quick Start Guide

---

- Exposing the equipment to direct sun light, low ventilation or heat source such as heater or radiator is forbidden (ignorance can cause fire danger).
- Do not aim the device at the sun or extra bright places. A blooming or smear may occur otherwise (which is not a malfunction however), and affecting the endurance of sensor at the same time.
- Please use the provided glove when open up the device cover, avoid direct contact with the device cover, because the acidic sweat of the fingers may erode the surface coating of the device cover.
- Please use a soft and dry cloth when clean inside and outside surfaces of the device cover, do not use alkaline detergents.
- Please keep all wrappers after unpack them for future use. In case of any failure occurred, you need to return the device to the factory with the original wrapper. Transportation without the original wrapper may result in damage on the device and lead to additional costs.
- Improper use or replacement of the battery may result in hazard of explosion. Replace with the same or equivalent type only. Dispose of used batteries according to the instructions provided by the battery manufacturer.

# Table of Contents

<b>1 Appearance .....</b>	<b>1</b>
1.1 Appearance of DS-KH8301-WT/ DS-KH8300-T .....	1
1.2 Appearance of DS-KH6310-W/DS-KH6310 .....	2
1.3 Appearance of DS-KH6310-WL/DS-KH6210-L .....	3
<b>2 Terminals and Wiring .....</b>	<b>5</b>
2.1 Terminal Description .....	5
2.1.1 Terminals and Interfaces of DS-KH8301-WT/DS-KH8300-T .....	5
2.1.2 Terminals and Interfaces of DS-KH6310-W/ DS-KH6310 .....	6
2.1.3 Terminals and Interfaces of DS-KH6310-WL/ DS-KH6210-L .....	7
2.2 Wiring Description .....	7
2.2.1 Wiring of DS-KH8301-WT/DS-KH8300-T .....	7
2.2.2 Wiring of DS-KH6310-W/DS-KH6310 .....	8
2.2.3 Wiring of DS-KH6310-WL/DS-KH6210-L .....	9
<b>3 Installation .....</b>	<b>10</b>
3.1 Installation Accessory Description .....	10
3.2 Wall Mounting with Junction Box .....	10
<b>4 Getting Started .....</b>	<b>12</b>
4.1 Activate Indoor Station .....	12
4.2 Set SIP Sever .....	13
4.2.1 Set Private SIP .....	13
4.2.2 Set Standard SIP .....	14
4.3 Set Network .....	16
4.3.1 Set Indoor Station Network Parameters .....	16
4.3.2 Set Linked Device IP .....	17
4.4 Set Indoor Station No. ....	19
<b>5 Appendix .....</b>	<b>22</b>
5.1 Installation Notice .....	22
5.2 Wiring Cables .....	22

# 1 Appearance

## 1.1 Appearance of DS-KH8301-WT/ DS-KH8300-T

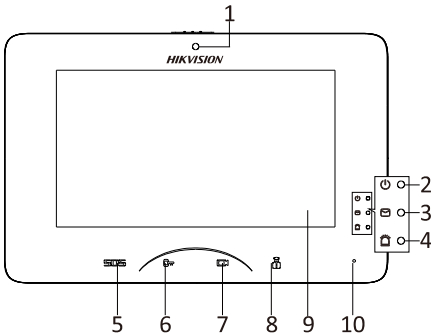


Figure 1-1 Front Panel

Table 1-1 Components Description

No.	Description
1	Built-in Camera (Only DS-KH8301-WT supports)
2	Power Supply Indicator
3	Information Indicator
4	Alarm Indicator
5	SOS Touch Key
6	Unlock Touch Key
7	Live View Touch Key
8	Management Center Touch Key
9	LCD Display Screen
10	Microphone

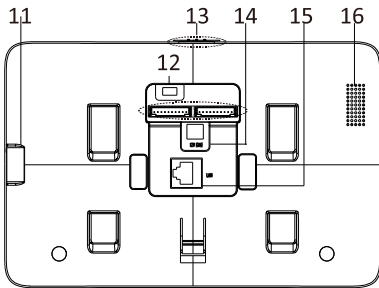



Figure 1-2 Rear Panel

Table 1-2 Components Description

No.	Description
11	TF Card Slot
12	Serial Port
13	Mechanical Switch
14	Power Supply Indicator
15	Network Interface
16	Loudspeaker

### NOTE

- Hold the **SOS** touch key to trigger a SOS alarm and upload the alarm message to the management center (iVMS-4200 client software or the master station).
- The Unlock key () is valid only when does the indoor station speak with the door station or open the live view of the door station.



## 1.2 Appearance of DS-KH6310-W/DS-KH6310

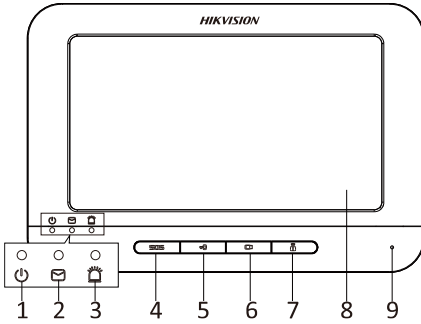


Figure 1-3 Front Panel

Table 1-3 Components Description

No.	Description
1	Power Supply Indicator
2	Information Indicator
3	Alarm Indicator
4	SOS Key
5	Unlock Key
6	Live View Key
7	Management Center Key
8	LCD Display Screen
9	Microphone

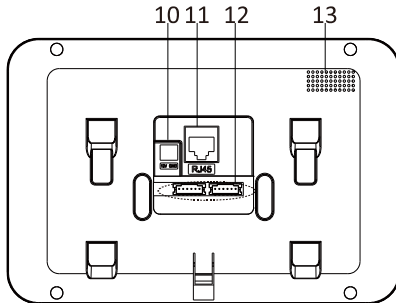



Figure 1-4 Rear Panel

Table 1-4 Components Description

No.	Description
10	Power Supply Interface
11	Network Interface
12	Terminals
13	Loudspeaker



### NOTE

- Hold the **SOS** touch key to trigger a SOS alarm and upload the alarm message to the management center (iVMS-4200 client software or the master station).
- The Unlock key () is valid only when does the indoor station speak with the door station or open the live view of the door station.

### 1.3 Appearance of DS-KH6310-WL/DS-KH6210-L

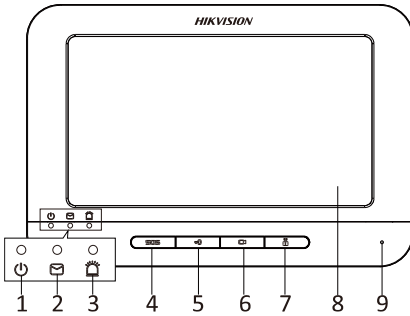


Figure 1-5 Front Panel

Table 1-5 Components Description

No.	Description
1	Power Supply Indicator
2	Information Indicator
3	Alarm Indicator
4	SOS Key
5	Unlock Key
6	Live View Key
7	Management Center Key
8	LCD Display Screen
9	Microphone

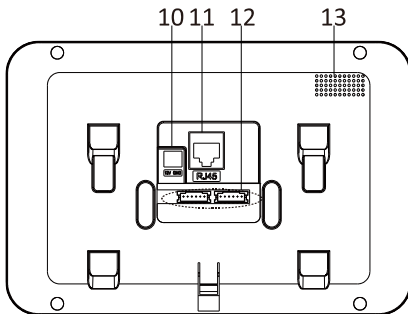


Figure 1-6 Rear Panel

Table 1-6 Components Description





No.	Description
10	Power Supply
11	Network Interface
12	Terminals
13	Loudspeaker



**NOTE**

- Hold the **SOS** touch key to trigger a SOS alarm and upload the alarm message to the management center (iVMS-4200 client software or the master station).
- The Unlock key (🔑) is valid only when does the indoor station speak with the door station or open the live view of the door station.
- For DS-KH6210-L indoor station, there are different meanings when you press or hold the four mechanical keys.

## Video Intercom Indoor Station • Quick Start Guide

Keys	Hold	Press
	SOS Key	Return Key
		Direction Keys ▲ and ◀/Unlock Key
	Live View Key Alarm	Direction Keys ▼ and ▶
	Management Center Key	Confirm Key

## 2 Terminals and Wiring

### 2.1 Terminal Description

#### 2.1.1 Terminals and Interfaces of DS-KH8301-WT/DS-KH8300-T

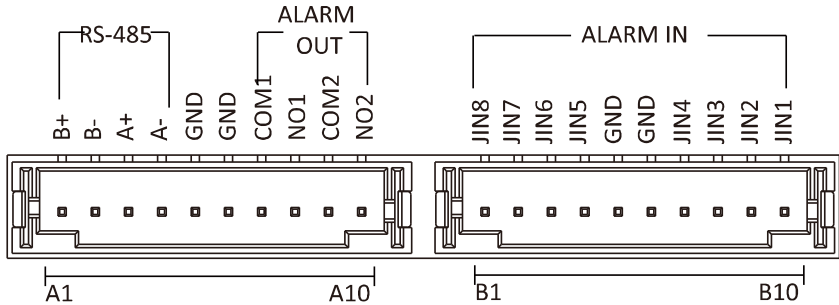


Figure 2-1 Terminals of DS-KH8301-WT/DS-KH8300-T

Table 2-1 Descriptions of Terminals and Interfaces

Name	No.	Interface	Description
485 Communication Port	A1	RS485B+	RS-485 Communication Interfaces
	A2	RS485B-	
	A3	RS485A+	
	A4	RS485A-	
Grounding	A5	GND	Grounding
	A6	GND	Grounding
ALARM OUT (Alarm Output)	A7	COM1	Alarm Relay Output Terminal 1 (Dry Contact)
	A8	NO1	
	A9	COM2	Alarm Relay Output Terminal 2 (Dry Contact)
	A10	NO2	
ALARM IN (Zone Input)	B1	JIN8	Zone Detector Input Terminal 8
	B2	JIN7	Zone Detector Input Terminal 7
	B3	JIN6	Zone Detector Input Terminal 6
	B4	JIN5	Zone Detector Input Terminal 5
	B5	GND	Grounding
	B6	GND	Grounding

Name	No.	Interface	Description
	B7	JIN4	Zone Detector Input Terminal 4
	B8	JIN3	Zone Detector Input Terminal 3
	B9	JIN2	Zone Detector Input Terminal 2
	B10	JIN1	Zone Detector Input Terminal 1

### 2.1.2 Terminals and Interfaces of DS-KH6310-W/ DS-KH6310

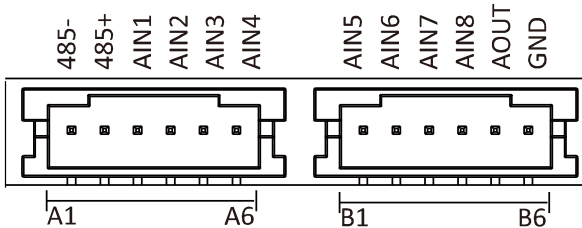


Figure 2-2 terminals of DS-KH6310-W/DS-KH6310

Table 2-2 Descriptions of Terminals and Interfaces

Name	No.	Interface	Description
Terminals	A1	RS485-	RS-485 Communication Interfaces
	A2	RS485+	
	A3	AIN1	Zone Detector Input Terminal 1
	A4	AIN2	Zone Detector Input Terminal 2
	A5	AIN3	Zone Detector Input Terminal 3
	A6	AIN4	Zone Detector Input Terminal 4
	B1	AIN5	Zone Detector Input Terminal 5
	B2	AIN6	Zone Detector Input Terminal 6
	B3	AIN7	Zone Detector Input Terminal 7
	B4	AIN8	Zone Detector Input Terminal 8
	B5	AOUT	Alarm Relay Output
	B6	GND	Grounding

### 2.1.3 Terminals and Interfaces of DS-KH6310-WL/ DS-KH6210-L

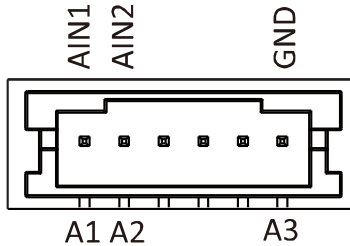


Figure 2-3 Terminals of DS-KH6310-WL/DS-KH6210-L

Table 2-3 Terminals Description

Name	No.	Interface	Description
Terminals	A1	AIN1	Zone Detector Input Terminal 1
	A2	AIN2	Zone Detector Input Terminal 2
	A3	GND	Grounding

## 2.2 Wiring Description

### 2.2.1 Wiring of DS-KH8301-WT/DS-KH8300-T

There are 20 pins in the terminal on the rear panel of the indoor station: 4 RS-485 pins, 4 GND pins, 4 alarm output pins, and 8 alarm input pins.

To access the alarm input device, refer to Figure 2-4.

To access the alarm output device, refer to Figure 2-5.

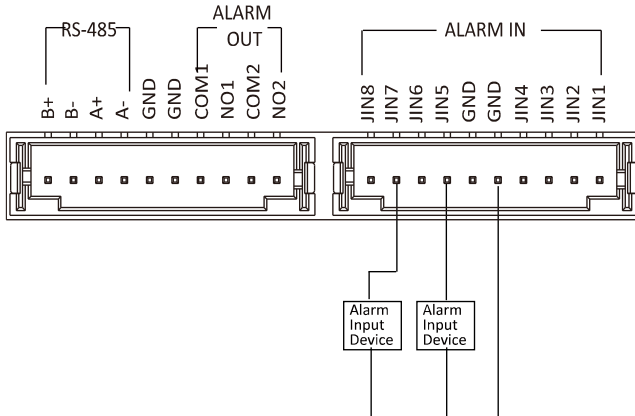


Figure 2-4 Wiring Description (Alarm Input Device)

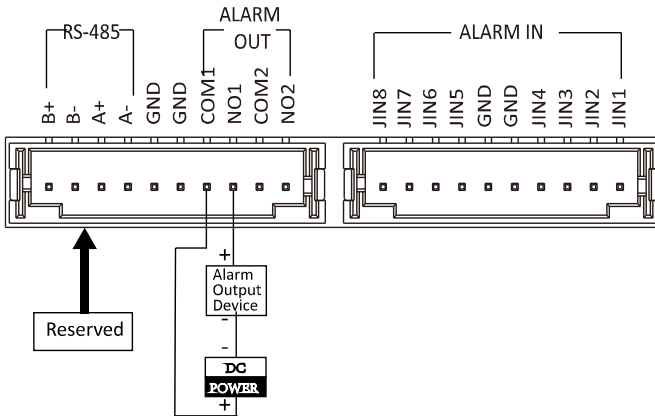


Figure 2-5 Wiring Description (Alarm Output Device)

### 2.2.2 Wiring of DS-KH6310-W/DS-KH6310

There are 12 pins in the terminal on the rear panel of the indoor station: 2 RS-485 pins, 1 GND pin, 1 alarm output pin, and 8 alarm input pins.

To access the alarm input device, refer to Figure 2-6.

To access the alarm output device, refer to Figure 2-7.

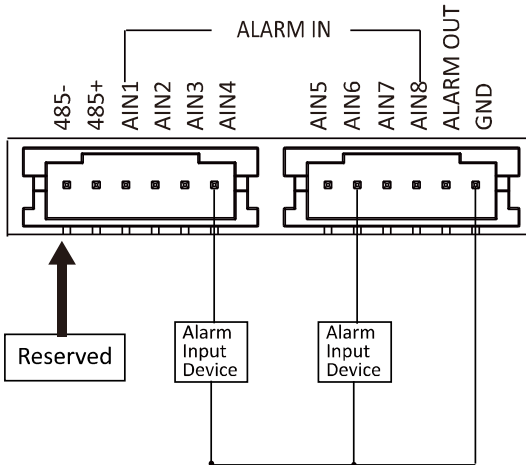


Figure 2-6 Wiring Description (Alarm Input Device)

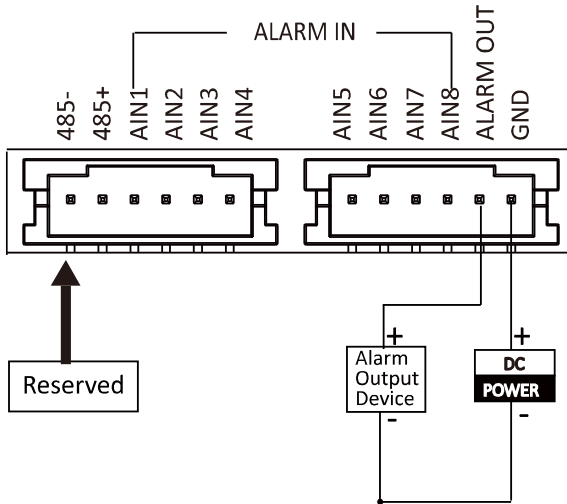


Figure 2-7 Wiring Description (Alarm Output Device)

### 2.2.3 Wiring of DS-KH6310-WL/DS-KH6210-L

There are 3 available pins in the terminal on the rear panel of the indoor station: 2 alarm input pins and 1 GND pin.

To access the alarm input device, refer to Figure 2-8.

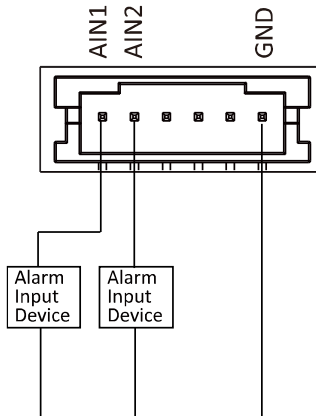


Figure 2-8 Wiring Description (Alarm Input Device)



## 3 Installation

### 3.1 Installation Accessory Description

The wall mounting plate and the junction box are required to install the indoor station onto the wall.

Junction boxes for 8-series and 6-series indoor stations are the same.

The dimension of junction box should be 75 mm (width) × 75 mm (length) × 50 mm (depth).

The dimension of wall mounting plate is shown in Figure 3-1.

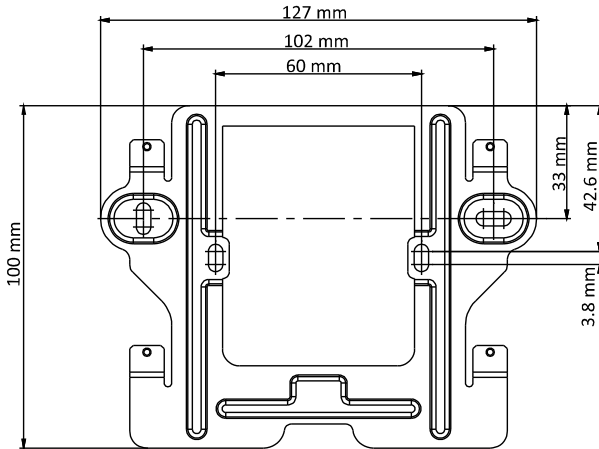


Figure 3-1 Wall Mounting Plate

### 3.2 Wall Mounting with Junction Box

Wall mounting installations are the same for the 6-series indoor stations and the 8-series indoor stations. Here we take the wall mounting of DS-KH6310 model as an example.

**Before you start:**

- Make sure the device in the package is in good condition and all the assembly parts are included.
- The power supply the indoor station supports is 12 VDC. Please make sure your power supply matches your indoor station.
- Make sure all the related equipment is power-off during the installation.
- Check the product specification for the installation environment.

**Steps:**

1. Chisel a hole in the wall. The size of the hole should be 76 mm (width) × 76 mm (length) × 50 mm (depth).
2. Insert the junction box to the hole chiseled on the wall.
3. Fix the wall mounting plate to the junction box with 2 screws.

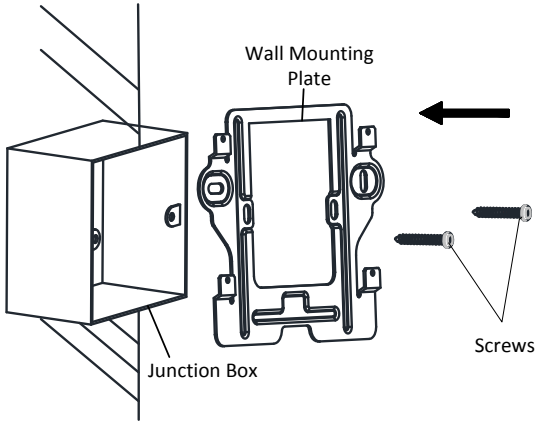


Figure 3-2 Installing the Plate

4. Hook the indoor station to the wall mounting plate tightly by inserting the plate hooks into the slots on the rear panel of the indoor station, during which the lock catch will be locked automatically.

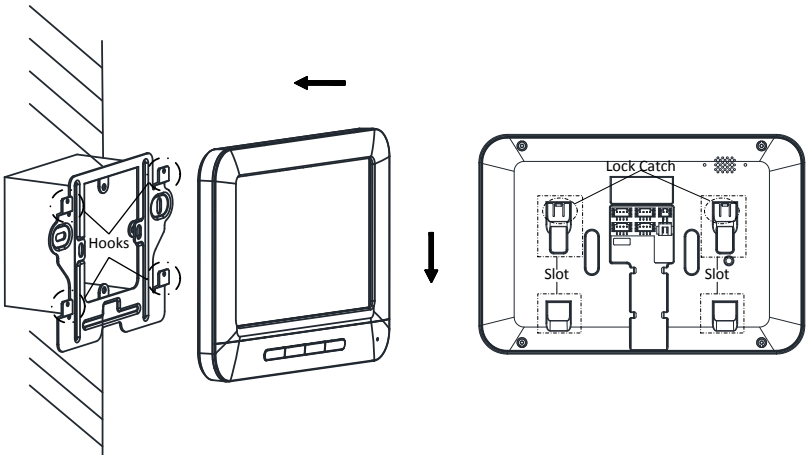


Figure 3-3 Hooking the Indoor Station to the Plate

## 4 Getting Started



### NOTE

- Here the local operation of indoor stations with touch screen is taken as example.
- The DS-KH6210-L should be operated with physical keys. The **SOS** key works as a return key; the **Unlock** key works as direction keys ▲ and ◀ to turn up and left; the **Live View** key works as direction keys ▼ and ▶ to turn down and right; and the **Management Center** key works as a confirm key.

### 4.1 Activate Indoor Station

You can configure and operate the indoor station only when you activate it. You must create a password to activate the indoor station for your first time usage and when it is not activated.

#### Steps:

1. Power on the device to enter the activation interface automatically.

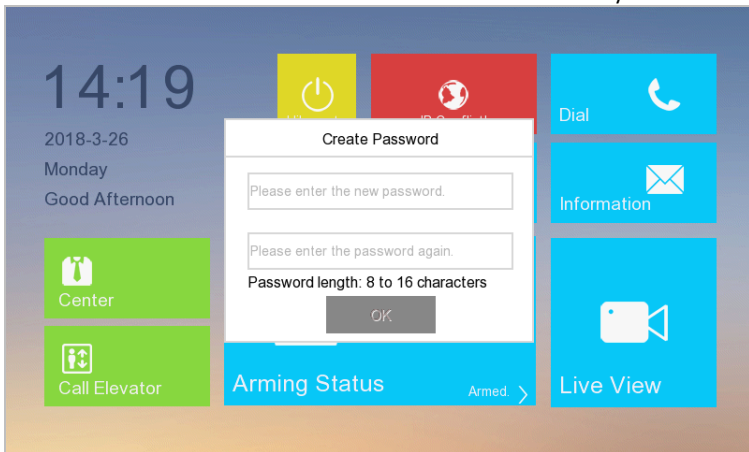


Figure 4-1 Activation Interface (DS-KH8301-WT)

2. Create a password and confirm it.
3. Tap **OK** to activate the indoor station.

**STRONG PASSWORD RECOMMENDED**— We highly recommend you to create a strong password of your own choosing (using a minimum of 8 characters, including at least three kinds of following categories: upper case letters, lower case letters, numbers, and special characters) in order to increase the security of your product. And we recommend you reset your password regularly, especially in the high security system, resetting the password monthly or weekly can better protect your product.



## 4.2 Set SIP Sever

A SIP server connection is required and necessary for the indoor station to guarantee the connection between the indoor station and the management center (master station) in the same video intercom system.

2 types of SIP protocol are available for the indoor station: Private Protocol, and Standard Protocol.



### NOTE

- Rebooting the indoor station is required when you switch the SIP protocol between the private SIP protocol and the standard SIP protocol.
- All linked device IP should be configured again after you change the SIP protocol type.
- The indoor extension does not support SIP sever settings.

### 4.2.1 Set Private SIP

The SIP server IP is required for you to set when you select Private Protocol, and the SIP IP must be in the same network segment with the intercom devices in the system.

**Steps:**

1. Go to SIP Settings page to select SIP protocol type: **Settings -> Configuration -> SIP Settings.**
2. Select **Private Protocol.**



### NOTE

- Default admin password is 888999.
- The default SIP protocol is private protocol.

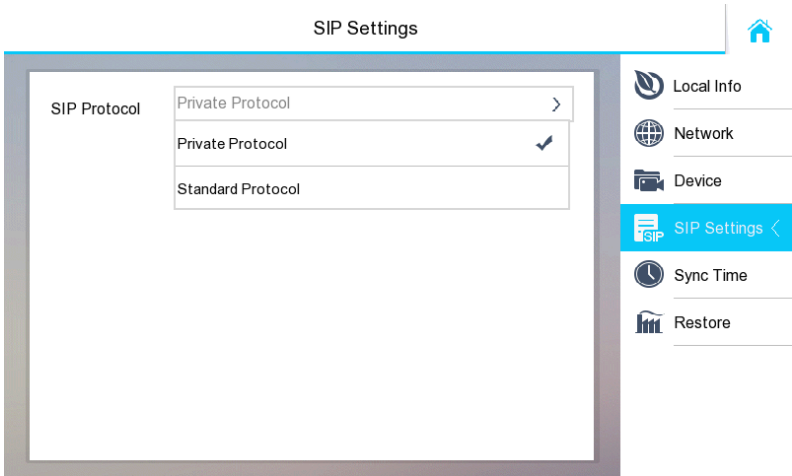


Figure 4-2 SIP Protocol Selection

3. Tap **Device** to go to the device management page.

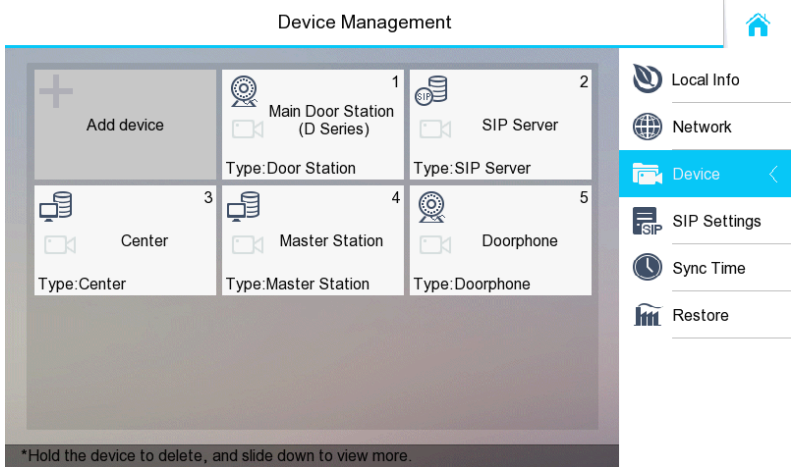



Figure 4-3 Device Management

4. Tap **SIP Server**, and enter the IP address of the SIP server.
5. Tap  to save the SIP server added.

#### 4.2.2 Set Standard SIP

With the standard SIP, your indoor station can connect to any intercom device, software client, and phones which also support the standard SIP.

**Before you Start:**

Make sure you have added a VoIP account in the standard SIP server.

### Steps:

1. Go to SIP Settings page to select SIP protocol type: **Settings -> Configuration -> SIP Settings**.
2. Select **Standard Protocol**.



### NOTE

- Default admin password is 888999.
- The default SIP protocol is private protocol.
- Rebooting the indoor station is required when you change to **Standard Protocol** from **Private Protocol**.

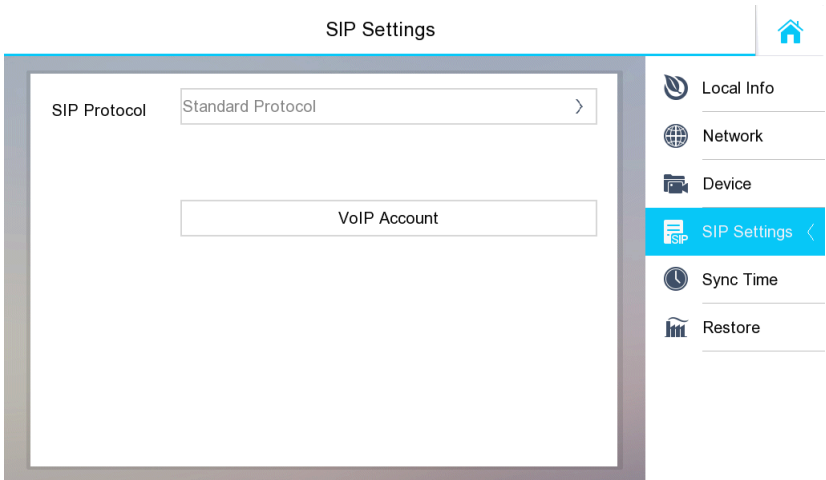


Figure 4-4 SIP Protocol Selection

3. Set VoIP account.



### NOTE

- The account you entered here must be the same with the account you added in the standard SIP server.
- The phone number should be a numeric, which is up to 16 digits. And the phone number will be the number you dial when you want to call the indoor station via standard SIP.

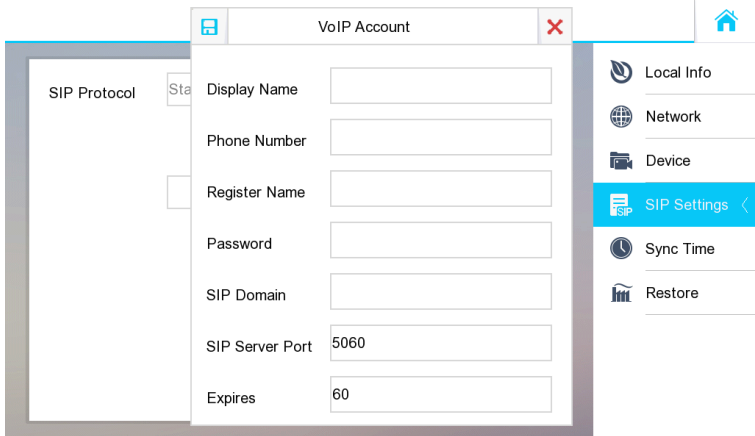



Figure 4-5 Set VoIP Account

4. Tap  to save the standard SIP settings.

## 4.3 Set Network

### 4.3.1 Set Indoor Station Network Parameters

Network connection is mandatory for the use of the indoor station. Set the network parameters after activating the indoor station. What's more, the indoor station can work normally in an intercom system only when its IP address is in the same network segment with other devices in the same system.



#### NOTE

The indoor station's default IP address is 192.0.0.64.

Two ways are available for you to set indoor station's IP address: DHCP, and set IP address manually.

#### Steps:

1. Tap **Settings** -> **Configuration** -> **Network** to go to the network settings page.



#### NOTE

Default admin password is 888999.

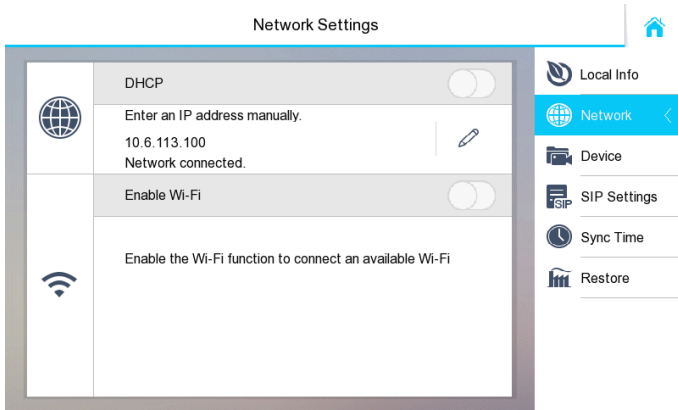


Figure 4-6 Network Settings


2. Enable **DHCP**, then the indoor station can search and get an IP address automatically.




### NOTE

Skip the following steps if you have set an IP address for the indoor station by DHCP function.

3. Set the IP address manually.

- 1) Tap  to pop up the network parameters settings dialog box.


✕
Network Settings

Local IP	10.6.113.100
Subnet Mask	255.255.255.0
Gateway	192.0.0.1

Figure 4-7 Network Settings Box

- 2) Enter IP address, subnet mask, and network gateway.
- 3) Tap **OK**.

## 4.3.2 Set Linked Device IP

Linked network parameters refers to the network parameters of devices (like door station, doorphone, master station, center, etc.), to which the indoor station is linked. Linked devices for the indoor station refers to door station, center, master station, and doorphone.

**With the private SIP protocol**, intercom can be realized only when all these devices are in the same network segment with the indoor station.

**With the standard SIP protocol**, intercom can be realized when all these devices support the standard SIP protocol.



 **NOTE**

- The doorphone does not support adding with the standard SIP protocol.
- Here take door station network settings as example.

**Steps:**

1. Tap **Settings** -> **Configuration** -> **Device** to go to the device management page.

 **NOTE**

Default admin password is 888999.

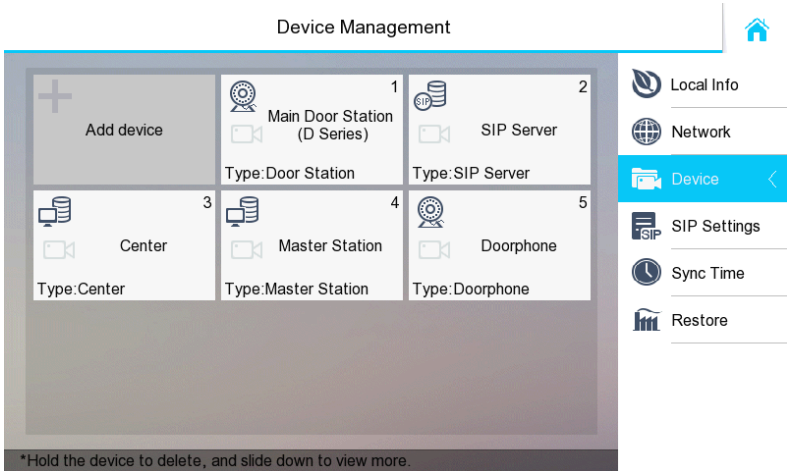


Figure 4-8 Device Management (Private SIP)

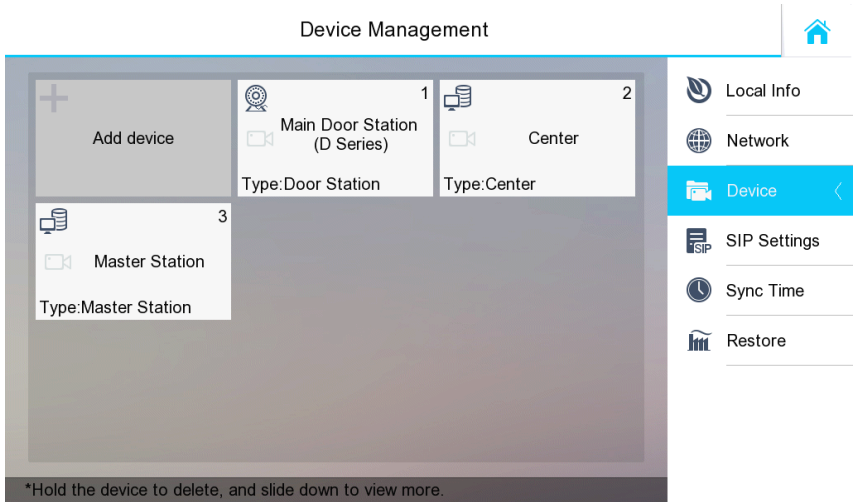


Figure 4-9 Device Management (Standard SIP)

2. Tap **Main Door Station** to pop up the device information dialog box.

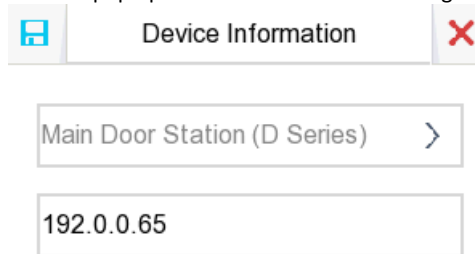


Figure 4-10 Device Information Dialog Box

3. Select a door station type based on your actual door station type, and set the door station IP address.

## 4.4 Set Indoor Station No.

Indoor station No. and the indoor extension No. are numbers, which can be dialed by other devices to call the indoor station and the indoor extension in an intercom system. The indoor station No., is composed of the floor No. and the room No. For example, the indoor station No. 401 refers to the room 1 on the fourth floor, and the indoor station No. 512 refers to the room 12 on fifth floor, and the indoor station 2302 refers to the room 2 on the 23rd floor.

The indoor extension No. Should be a numeric from 1 to 5.

Up to 5 indoor extensions can be set for 1 indoor station.

### Steps:

1. Tap **Settings** -> **Configuration** -> **Local Info** to go to the indoor station No. settings page.



### NOTE

Default admin password is 888999.

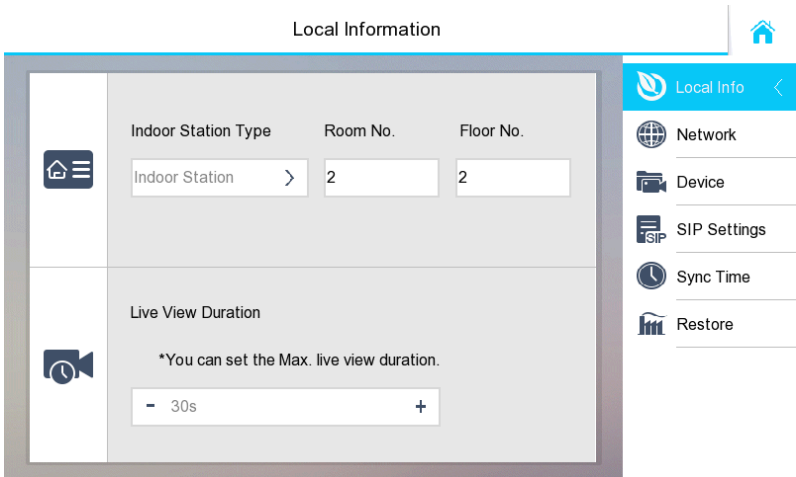


Figure 4-11 Set Indoor Station No.

2. Select **Indoor Station** to set the indoor station No. (Room No.) and the floor No.

### For Example:

When set the Room No. as 2, and the Floor No as 2, then the indoor station No. is 202.

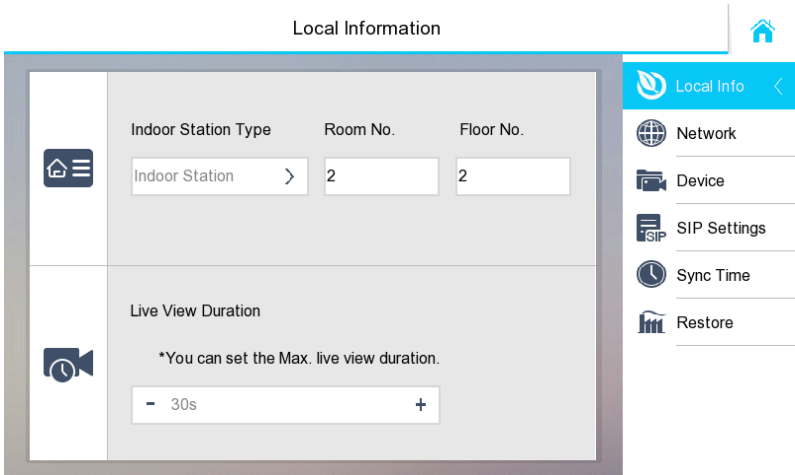


Figure 4-12 Set Indoor Station No.

3. Select **Indoor Extension** to set the indoor extension No. and the room name.

***For Example:***

Set the indoor extension No. as 1, and the room name as Hello Room.

***What to do next***

You can press 201 on the door station to call the indoor station, and press 1 on the indoor station to call indoor extension.

## 5 Appendix

---

### 5.1 Installation Notice

While installing the indoor station, please make sure that the distance between any two devices is far as possible to avoid the howling and echo. The distance between two devices is recommended to be more than 10 meters.



#### NOTE

Here the devices refer to indoor station, outdoor station and master station.

---

### 5.2 Wiring Cables

Cable	Specification
Power Cord of Door Station	RVV 2*1.0
Network Cable of Door Station	UTP-five Categories
Door Lock Wiring (With Door Magnetic)	RVV 4*1.0
Door Lock Wiring (Without Door Magnetic)	RVV 2*1.0
Exit Button Wiring	RVV 2*0.5
External Card Reader Wiring	RVVP 4*0.75



See Far, Go Further