

Sarix® IWP Series Vandal Resistant Wedge

UP TO 5 MEGAPIXEL, H.264, H.265, IR ENVIRONMENTAL IP DOMES

Product Features

- H.265, H.264 Main, High, MJPEG video encoding
- Up to 5 megapixel (MP) resolution
- Up to 60 images per second (ips) at 4 MP for 5MP cameras
- Micro SDHC & SDXC 2TB addressable, 128G or more testable
- IR illumination up to 25 m
- Operating temperature from -20° to 55°C (-4° to 131°F)
- Basic analytics including Simple Motion Detection and Camera Sabotage
- IEEE802.3af Power over Ethernet (PoE)
- Pelco Smart Compression Technology
- Vandal resistant to IK10
- IP66/67 ingress protection
- Compatible with Pelco and third-party video management systems
- ONVIF Profile S, Profile G, Profile Q, and Profile T conformant

Sarix Professional Range

Powerful, versatile, and affordable, the **Sarix® Professional (P)** range cameras pack the most popular features and functionality of Sarix technology into a wide range of indoor and outdoor options, including bullet cameras and domes. There are also options such as a vandal resistant wedge and a box camera. Mix and match the performance options and form factor you need for almost any lighting condition, environment, and application.

IWP Series Wedge Camera

Within the **Sarix Professional** range, the **Sarix IWP Series** IR vandal resistant wedge cameras feature multiple options on the fixed lens for surveillance needs in tight spaces. Additionally, the **Sarix IWP Series** features advanced color science and true WDR for visibility in difficult lighting conditions. IK10, IP66/67, and Type 4X compliance ensure enough robustness for challenging environments.

Video

Sarix Professional provides options for three simultaneous video streams. The three streams can be compressed with efficient H.265, H.264 High or Main profiles, or MJPEG formats. The streams can be configured to a variety of frame rates and variable bit rates to optimize image quality with bandwidth and storage efficiency. Pelco Smart Compression is available on both H.264 and H.265, minimizing storage and bandwidth utilization.



- Full 3-year warranty and support

Edge Storage

Sarix Professional range cameras feature onboard edge storage with a micro SDHC and SDXC card. Video clips of varying lengths can be stored to the card upon alarm, or video can be written continuously to the SD card in the case of network outage. Video can be retrieved from the card through the FTP protocol or by using an ONVIF Profile G compliant client.

Open and Integrated

Sarix Professional range cameras seamlessly connect to Pelco video management systems such as VideoXpert™, VX Toolbox Endura® version 2.0 (or later), and Digital Sentry® version 7.3 (or later). **Sarix Professional** range cameras integrate with major third-party systems through the open Pelco API or the ONVIF Profile S, Profile G, Profile Q, and Profile T standards.

Standard Web Interface

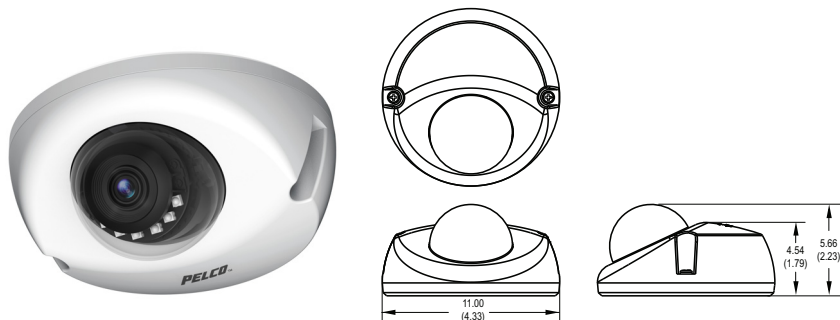
Pelco cameras use a standard Web browser interface for easy remote setup and administration. Controls are optimized for convenient one-step camera configuration for features including color, exposure, flicker control, backlight compensation, and streaming.

TECHNICAL SPECIFICATIONS

COMPONENT FEATURES



VALUES IN PARENTHESES ARE INCHES; ALL OTHERS ARE CENTIMETERS.



Surface Mount

- RAL 9003
- IP66/67 Ingress Protection
- Type 4X
- IK10 (20 Joules) Impact Resistance
- Aluminum Body; Polycarbonate Bubble

CAMERA

Imaging Device

MP	Sensor	Maximum Resolution
1 MP	1/2.8-inch	1280 x 960 (1 MP)
2 MP	1/2.8-inch	1920 x 1080 (2 MP)
3 MP	1/2.8-inch	2048 x 1536 (3 MP)
5 MP	1/2.8-inch	2592 x 1944 (5 MP)

Imager Type

CMOS

Imager Readout

Progressive scan

Electronic Shutter Range

1/10,000 sec ~ 1 sec

True Wide Dynamic Range

Up to 120 dB, per IEC62676

White Balance

Range: 2,000° to 10,000°K; Selectable ATW (Auto Tracing White Balance), Auto, and Manual

Noise Reduction

Yes (ON/OFF selectable)

Minimum Illumination

Resolution	Lens	Sensitivity	Color		Mono		Mono (IR on)
			33 ms	200 ms	33 ms	200 ms	
1 MP	2.8 mm	f/2.0	0.15 lux	0.038 lux	0.01 lux	0.002 lux	0.0 lux
2 MP	2.4 mm	f/2.1	0.15 lux	0.038 lux	0.01 lux	0.002 lux	0.0 lux
2 MP	2.8 mm	f/2.0	0.15 lux	0.038 lux	0.01 lux	0.002 lux	0.0 lux
2 MP	4 mm	f/1.8	0.15 lux	0.038 lux	0.01 lux	0.002 lux	0.0 lux
2 MP	6 mm	f/2.0	0.15 lux	0.038 lux	0.01 lux	0.002 lux	0.0 lux
3 MP	2.8 mm	f/2.0	0.25 lux	0.036 lux	0.01 lux	0.002 lux	0.0 lux
5 MP	2.4 mm	f/2.1	0.30 lux	0.03 lux	0.01 lux	0.002 lux	0.0 lux
5 MP	2.8 mm	f/2.0	0.30 lux	0.03 lux	0.01 lux	0.002 lux	0.0 lux

Day/Night Capabilities

Mechanical IR Cut Filter (ON/OFF/AUTO), with different set points on lux

Signal to Noise Ratio

≥50 dB

IR Illumination

850 nm Adaptive IR, up to 25 m; auto ON in night mode, or OFF

TECHNICAL SPECIFICATIONS

LENS

Lens Type Built-in; fixed, factory focused
 Focal Length f/1.8, 4 mm; f/2.0, 6mm; f/2.0, 2.8 mm; f/2.1, 2.4 mm

Field of View*

*Field of view may vary with changes in resolution settings.

Angle of View	IWP133-1ERS 1 MP 2.8 mm	IWP233-1ERS 2 MP 2.8 mm	IWP333-1ERS 3 MP 2.8 mm	IWP533-1ERS 5 MP 2.8 mm	IWP234-1ERS 2 MP 4 mm	IWP236-1ERS 2 MP 6 mm	IWP232-1ERS 2 MP 2.4 mm	IWP532-1ERS 5 MP 2.4 mm
Diagonal	132°	134°	124.6°	129.6°	104°	62.8°	156°	162°
Horizontal	112°	113°	99°	104.4°	87.6°	54.4°	135°	130°
Vertical	60°	61°	74.2°	75°	46.2°	30.1°	75°	93°

VIDEO

Video Streams Up to 3 simultaneous streams, the second stream and third stream are variable based on the setup of the primary stream
 Video Overlay Camera name, time, date, and customizable text with multiple supported languages. Embedding of custom images and logos supported.

Available Resolutions

MP	Width	Height	Aspect Ratio
5.0	2592	1944	4:3
3.7	2560	1440	16:9
3.2	2048	1536	4:3
3	2304	1296	16:9
2.1	1920	1080	16:9
1.9	1600	1200	4:3
1.2	1280	960	4:3
0.9	1280	720	16:9
0.5	800	600	4:3
0.3	640	480	4:3
0.2	640	360	16:9
0.1	320	240	4:3
0.1	320	180	16:9

Frame Rates

MP	Images per Second (ips)
5 MP	60, 50, 30, 25, 20, 16.67, 15, 12.5, 10, 7.5, 5, 3, 2, 1
3 MP	30, 25, 20, 16.67, 15, 12.5, 10, 7.5, 5, 3, 2, 1
2 MP	30, 25, 20, 16.67, 15, 12.5, 10, 7.5, 5, 3, 2, 1
1 MP	30, 25, 20, 16.67, 15, 12.5, 10, 7.5, 5, 3, 2, 1

Note: Available frame rates are selectable for each independent stream depending on the coding, resolution, and stream configuration.

Video Encoding H.265, H.264 Main/High, MJPEG
 Bit Rate Control Constant bit rate (CBR), constrained variable bit rate (CVBR) with configurable maximum value
 Orientation Modes Corridor Mode, Mirror Mode, Flip Mode. Electronic image rotation 90, 180, 270 degrees
 Window Blanking 8 configurable windows
 Flicker Control Selectable 50 Hz or 60 Hz Modes

TECHNICAL SPECIFICATIONS

BASIC ANALYTICS

Sarix Professional range cameras feature basic video analytics including Simple Motion Detection and Camera Sabotage.

Simple Motion Detection algorithms allow the camera to record or send an alarm when there is motion detected in a selected zone or with the entire scene.

A Camera Sabotage alarm is triggered if the lens is obstructed or when the camera is repositioned.

PELCO'S SMART COMPRESSION TECHNOLOGY

Pelco's Smart Compression Technology lowers bandwidth and storage requirements by up to 70%. Our technology allows the user to informed optimization between storage savings and image quality.

Pelco's Smart Compression Technology dynamically analyzes motion occurring within live video in real-time, to intelligently compress the information you don't need, while retaining details with clear quality in the areas that are important in the scene. By enabling Dynamic GOP, an added feature of Smart Compression, the number of I-frames are automatically reduced in scenes with low motion. Based on the complexity of scenes and extent of motion, up to 70% bandwidth savings can be achieved.

AUDIO

Streaming	Bi-directional full duplex
Input	Line Level, 3K ohm differential w/ 1Vp-p max signal
Output	Line Level, 600 ohm differential w/ 1Vp-p
Encoding	G.711 A-law/G.711 U-law

TECHNICAL SPECIFICATIONS

ELECTRICAL

Network Port	RJ-45 connector for 10/100Base-TX
Power Input	IEEE 802.3af PoE
Maximum Power Consumption	9.6 W
Local Storage	Micro SDHC & SDXC 2 TB addressable, 128 GB or more testable

ENVIRONMENTAL

Operating Temperature	-20° to 55°C (-4° to 131°F)
Storage Temperature	-40° to 70°C (-40° to 158°F)
Operating Humidity	5% to 95%, RH noncondensing
Storage Humidity	20 to 80%, RH noncondensing
Ingress Protection	IP66/67 Type 4X
Vandal Resistance	IK10 (20 Joules)
Shock and Vibration Resistance	IEC 60068:2-6 and 2-27

GENERAL

Construction	Aluminum, polycarbonate bubble
Finish	RAL 9003
Pan/Tilt Adjustment	Manual
Pan	±90°
Tilt	0°~ -80°
Rotate	0°~ 355°
Unit Weight	0.38 kg (0.84 lb)
Shipping Weight	0.63 kg (1.40 lb)

NETWORK

Supported Protocols	TTCP/IP, UDP/IP (Unicast, Multicast IGMP), UPnP, DNS, DHCP, RTP, RTSP, NTP, IPv4, IPv6, SNMP v2c/v3, QoS, HTTP, HTTPS, SSH, SSL, SMTP, FTP, 802.1x(EAP), and NTCIP 1205, GB/T28181, ARP, DDNS, ICMP, IGMP, RTCP, SFTP, SIP, TLS/TLS, WS-discovery
Users	
Unicast	Up to 5 simultaneous users depending on resolution settings (3 guaranteed streams)
Multicast	Unlimited users H.264/H.265
Security Access	Password Protected, HTTPS, IEEE 802.1X, Digest Authentication, IP Filtering
Software Interface	Web browser view and setup

INTEGRATION

Video Management	VideoXpert; VXToolbox; Endura version 2.0 (or later); Digital Sentry 7.3 (or later);
Open API	Third-party VMS through Pelco API, ONVIF Profile S, Profile G, Profile Q, and Profile T
Mobile Application	Pelco Mobile
Local Storage	Capture 1-, 5- or 10-second video clips on camera sabotage, motion detection, or alarm input; record video continuously in the case of network outage with option to overwrite; access video through FTP protocol and ONVIF Profile G
Camera Discovery	VX Toolbox
Firmware Upgrade	Web UI or VX Toolbox
Web Browser Support	Microsoft® Internet Explorer® 8.0, Mozilla® Firefox® 3.5, Google® Chrome™ 61.0 and later
Multilingual User Interface	English, French, German, Italian, Portuguese, Arabic, Russian, Spanish, Turkish, Korean, Simplified Chinese

TECHNICAL SPECIFICATIONS

SYSTEM MODEL NUMBERS*

Resolution	Lens	Model Number	Description
1 MP	2.8 mm	IWP133-1ERS	Sarix Pro IR Vandal Resistant Wedge Dome
2 MP	2.8 mm	IWP233-1ERS	Sarix Pro IR Vandal Resistant Wedge Dome
2 MP	2.4 mm	IWP232-1ERS	Sarix Pro IR Vandal Resistant Wedge Dome
2 MP	4 mm	IWP234-1ERS	Sarix Pro IR Vandal Resistant Wedge Dome
2 MP	6 mm	IWP236-1ERS	Sarix Pro IR Vandal Resistant Wedge Dome
3 MP	2.8 mm	IWP333-1ERS	Sarix Pro IR Vandal Resistant Wedge Dome
5 MP	2.8 mm	IWP533-1ERS	Sarix Pro IR Vandal Resistant Wedge Dome
5 MP	2.4 mm	IWP532-1ERS	Sarix Pro IR Vandal Resistant Wedge Dom

*System options contain a back box/mount, camera, and clear dome.

CERTIFICATIONS*

- CE - EN 55032 (Class A), EN 50130-4, EN 60950-1
- FCC (Class A) - 47 CFR Part 15
- UL and cUL Listed - UL 60950-1, CAN/CSA-C22.2 No. 60950-1-07
- UL/IEC/EN 60950-22
- ICES-003 (Class A)
- RCM
- KCC
- NOM
- EAC
- BIS
- ONVIF Profile S, Profile G, Profile Q, and Profile T conformant
- Type 4x when installed properly
- IP66/67 when installed properly

*At the time of this publication, certifications are pending. Consult the factory or www.pelco.com for the current status of certifications.

RECOMMENDED MOUNTS

IMP3PMB-11	Indoor dome wall bracket for indoor models
IBP3-PLMT	Pole mount

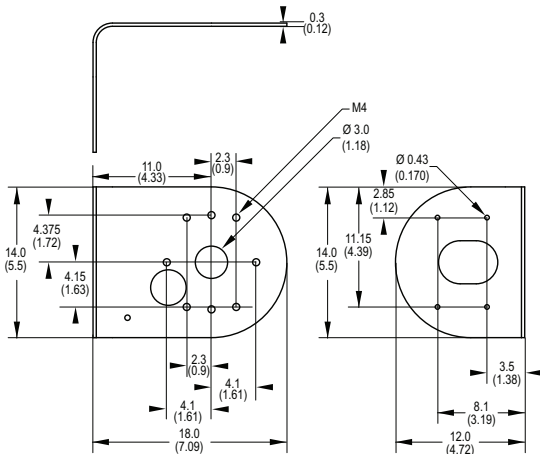
OPTIONAL ACCESSORIES

IMP3EBAP	4S electrical box adapter
IWPWPC	RJ45 waterproof connector kit



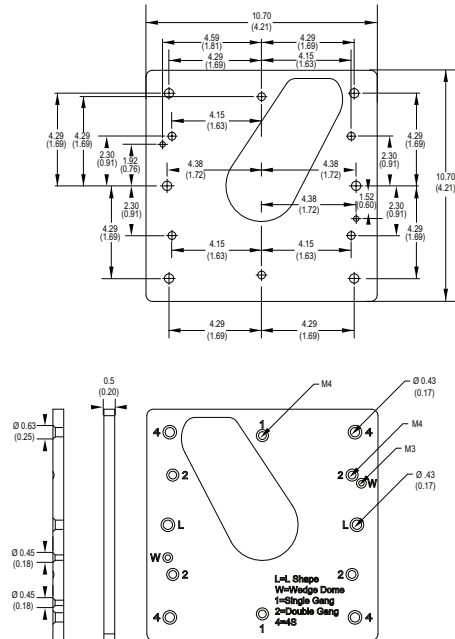
VALUES IN PARENTHESES ARE INCHES; ALL OTHERS ARE CENTIMETERS

IMP3PMB-11 WALL MOUNT BRACKET



Color: RAL 9003

IMP3EBAP BOX ADAPTER



Color: RAL 9003

- ▲ **WARNING:** Cancer and Reproductive Harm - www.P65Warnings.ca.gov.
- ▲ **ADVERTENCIA:** Cáncer y Daño Reproductivo - www.P65Warnings.ca.gov.
- ▲ **AVERTISSEMENT:** Cancer et Troubles de l'appareil reproducteur - www.P65Warnings.ca.gov.

Pelco

625 W. Alluvial, Fresno, California 93711 United States
USA & Canada Tel (800) 289-9100 Fax (800) 289-9150
International Tel +1 (559) 292-1981 Fax +1 (559) 348-1120
www.pelco.com www.pelco.com/community

Pelco, the Pelco logo, and other trademarks associated with Pelco products referred to in this publication are trademarks of Pelco, Inc. or its affiliates. ONVIF and the ONVIF logo are trademarks of ONVIF Inc. All other product names and services are the property of their respective companies. Product specifications and availability are subject to change without notice. ©Copyright 2019, Pelco, Inc. All rights reserved.