

470 Series Hospitality TVs

24" Class LED	HG24NE470AF	43" Class LED	HG43NE470SF
28" Class LED	HG28NE470AF	50" Class LED	HG50NE470SF
32" Class LED	HG32NE470SF	55" Class LED	HG55NE470BF
40" Class LED	HG40NE470SF	60" Class LED	HG60NE470EF



SAMSUNG

A premium LED experience from the LED industry leader



470 Series Hospitality TVs

Affordable Direct-Lit LED LCD TVs

With the Samsung 470 Series Hospitality TVs, the leading LED panel manufacturer in the world allows you to deliver a premium experience to your guests, while still being budget-conscious. The 470 Series features direct-lit LED technology, to deliver all the benefits of LED, while doing it more affordably. You get big, bright, beautiful pictures, while cost of entry is similar to that of a traditional CCFL back-lit option. LED uses up to 50% less energy, too, helping you conserve and save money. Content management is made simple with the Samsung REACH 4.0 management solution. Samsung's LYNK™ DRM technology protects content, while offering guests a seamless viewing experience. It's the platform that delivers an at-home, in-room experience. And it's from Samsung.

Key features



Direct-Lit LED technology

Direct-lit LED technology provides the brilliance and energy savings advantages of LED technology, along with the uniform brightness typical of CCFL displays. And it does it all with an efficiency that makes it a more affordable technology. In fact, it's possible to upgrade your rooms to LED technology for a cost comparable to CCFL technology.



Samsung LYNK™ HD content decryption DRM

Samsung's software-based DRM technology is integrated into the entire Samsung Hotel TV line. Samsung LYNK™ offers a robust solution to unlock premium HDTV content from content providers such as cable, satellite and VOD providers, with maximum efficiency and security.



Samsung LYNK™ REACH 4.0 content management solution

Samsung's LYNK REACH 4.0 fuses the benefits of its SINC and REACH hospitality technologies to offer a comprehensive content management solution. LYNK REACH 4.0 enhances the guest experience with efficiency-enhancing technology and perks ranging from more information delivery channels to convenient communication options and efficient room management. As a unified content management solution, LYNK REACH 4.0 accommodates LAN, WIFI and coaxial infrastructures to amplify hotel management, monitoring and guest service functions. Transferred by proprietary management server (PMS) and customized templates, hospitality users can create and deliver personalized service for a more memorable experience. This includes access to a range of IP channels and RF channels, applications and services mirroring what guests expect at home and on their mobile devices. LYNK REACH 4.0 additionally enables two-way communication between hotel management and guests. The solution's efficient remote control capability for in-room display ensures quality service delivery in real time without in-room labor and maintenance.



A host of features

Features include: Home Menu, RJ12 IR PASS, Volume Limiters, Rear Panel Lock-out, Menu Display Lock-out, Hotel Custom Logo/Welcome Message, Channel List Guide, Channel Re-mapping, Remote Jack Pack (RJP) Priority, USB Cloning and Anti-Theft Battery Cover Remote Control. Display pedestal stand rotates 90° in both directions.

Hospitality TV sales:

1-888-727-2664 | 1-866-SAM4BIZ

samsung.com/business

samsung.com/b2bhospitalitytvs

Follow us

[youtube.com/samsungbizusa](https://www.youtube.com/samsungbizusa)

[@SamsungBizUSA](https://twitter.com/SamsungBizUSA)

Samsung 470 Series Hospitality TVs

Samsung Hospitality TVs are loaded with features that provide premier guest satisfaction, while making your job easier.

Hospitality features

Hotel mode plug & play

Interactive and stand alone.

USB cloning

A quick and easy way to copy the ideal settings of television to others on the property. Saves time and helps provide a consistent viewing experience for all televisions.

Hotel channel list

Guest master channel listing of program content. This will display content in analog or HD.

Hotel TV (RJ-12/IR pass through)

Connecting Interactive STB/SBD (Set Top/Back Box).

Hotel logo display with time out setting

Display hotel logo bitmap files as a greeting startup display.

Lockout controls

The hotelier can enable front panel and menu display lock-outs.

Samsung LYNK™ REACH 4.0 content management solution

Samsung's LYNK REACH 4.0 fuses the benefits of its SINC and REACH hospitality technologies to offer a comprehensive content management solution. LYNK REACH 4.0 enhances the guest experience with efficiency-enhancing technology and perks ranging from more information delivery channels to convenient communication options and efficient room management. As a unified content management solution, LYNK REACH 4.0 accommodates LAN, WIFI and coaxial infrastructures to amplify hotel management, monitoring and guest service functions. Transferred by proprietary management server (PMS) and customized templates, hospitality users can create and deliver personalized service for a more memorable experience. This includes access to a range of IP channels and RF channels, applications and services mirroring what guests expect at home and on their mobile devices. LYNK REACH 4.0 additionally enables two-way communication between hotel management and guests. The solution's efficient remote control capability for in-room display ensures quality service delivery in real time without in-room labor and maintenance.

Power on status setting

Power always on, last option or standby.

Anti-theft battery cover

Battery door is secured, helping to always keep batteries in the remote controller.

Auto channel search

Auto detect channel while in hotel mode.

Multi-code remote

Eliminates interference when two or more TVs are used in close proximity.

Samsung LYNK™ HD content decryption DRM



Samsung's software-based DRM technology is integrated into the entire Samsung Hotel TV line. Samsung LYNK™ offers a robust solution to unlock premium HDTV content from content providers such as cable, satellite and VOD providers, with maximum efficiency and security.

Sleep timer

Set TV turn-off time in 30-minute intervals up to 180 minutes.

Closed captioning

A text display of all audio content including spoken dialog and non-speech information such as the identity of the speakers and symbols for sound effects and music.

On screen display language

English/French/Spanish.

Picture-in-picture

Display one program while another is being displayed on the full TV screen at the same time.

Clock on timer and alarm key

Allows the guest to program the TV to turn on as a wake-up alarm.

Connections

Anynet + (HDMI – CEC)

Samsung protocol that allows the user to control other HDMI devices connected to the TV display. Examples of these devices are DVD and Soundbars.

ConnectShare™ (USB 2.0)

Connect a thumb drive or digital camera quickly and easily. User-friendly interface allows access to videos, a music playlist and pictures via the remote.

Interactive compatibility system



Remote Jack Panel (RJP) compatibility



Picture quality and audio

Auto volume limiter

During initial product setup, minimum and maximum volume levels can be locked to help minimize disturbance to other hotel guests.

Music mode (input: HDMI/PC/AV/component)

When picture is muted, allows audio feedback.

Music mode backlight on/off

Background display.

Swivel stand

Samsung Hospitality Displays pedestal stand rotates 90 degrees in both directions so wherever in the room your guests are, they should have an excellent view of their TV (not available on 24" and 28"). Swivel stand includes integrated mounting plate and bolt-down kit.

Samsung soundbar compatible

Samsung Hospitality Displays enable Soundbar compatibility by supporting HDMI-CEC. When you connect the Soundbar to the Samsung Hospitality Display with an HDMI cable, the TV audio settings and menu lock feature are automatically applied, so you don't have to set up the Soundbar separately. You can also prevent guests from changing the settings. With one single remote, guests can control both the TV and Soundbar simultaneously.

Warranty

2-year parts and 2-year labor warranty backed by Samsung Hospitality Hotline 1-866-894-0524. Optional professional installation, accessories and extended warranty are available.

Samsung 470 Series Hospitality TVs

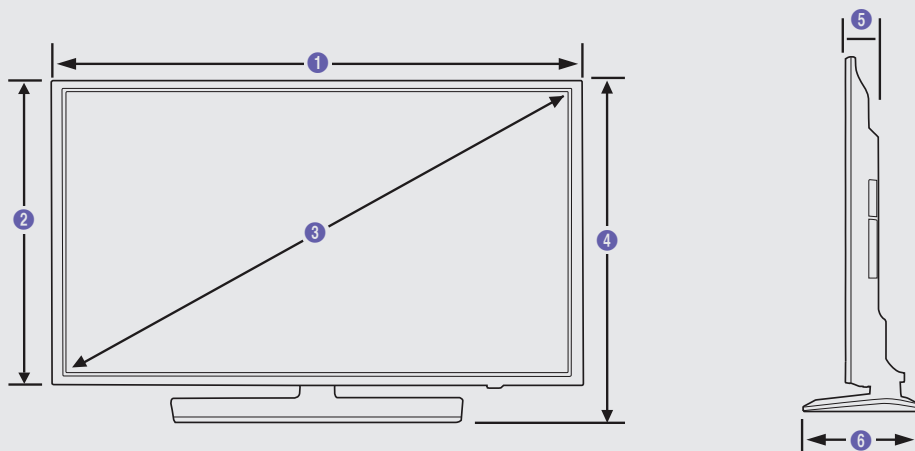


Digital Rights Management (DRM) (RF)

Samsung LYNK™ HD content decryption DRM 

Samsung's software-based DRM technology is integrated into the entire Samsung Hotel TV line. Samsung LYNK™ offers a robust solution to unlock premium HDTV content from content providers such as cable, satellite and VOD providers, with maximum efficiency and security.

Dimensions



24" | HG24NE470AF - 720p

1	2	3	4	5	6
22.1"	13.7"	24.0"	17.1"	2.6"	6.4"

28" | HG28NE470AF - 720p

1	2	3	4	5	6
25.0"	15.6"	28.0"	17.1"	2.5"	6.4"

32" | HG32NE470SF - 720p

1	2	3	4	5	6
29.3"	17.4"	32.0"	19.1"	2.7"	7.6"

40" | HG40NE470SF - 1080p

1	2	3	4	5	6
36.3"	20.9"	40.0"	22.9"	2.8"	8.9"

43" | HG43NE470SF - 1080p

1	2	3	4	5	6
38.8"	22.6"	43.0"	24.6"	2.8"	8.9"

50" | HG50NE470SF - 1080p

1	2	3	4	5	6
44.9"	26.1"	50.0"	28.1"	2.9"	8.9"

55" | HG55NE470BF - 1080p

1	2	3	4	5	6
48.5"	27.9"	55.0"	30.1"	2.7"	8.9"

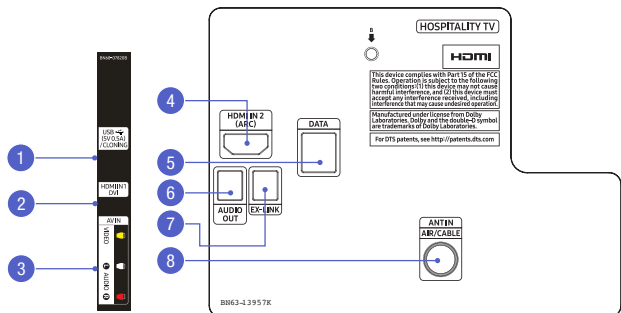
60" | HG60NE470EF - 1080p

1	2	3	4	5	6
53.7"	31.0"	60.0"	33.8"	2.5"	14.0"

Connectivity

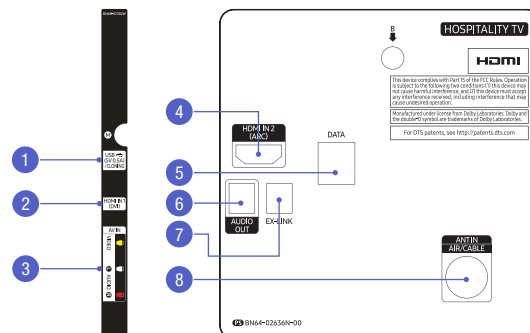
HG24NE470AF

- | | |
|-----------------------------|-----------------------------|
| 1. USB (5C 0.5A) / Cloning | 5. Data |
| 2. HDMI In 1 (DVI) | 6. Audio Out |
| 3. AV In (Video, Audio L/R) | 7. Ex-Link |
| 4. HDMI In 2 (ARC) | 8. Antenna In (Air / Cable) |



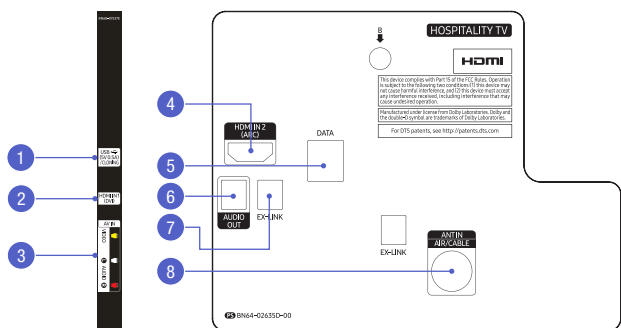
HG40NE470SF / HG43NE470SF / HG50NE470SF

- | | |
|-----------------------------|-----------------------------|
| 1. USB (5C 0.5A) / Cloning | 5. Data |
| 2. HDMI In 1 (DVI) | 6. Audio Out |
| 3. AV In (Video, Audio L/R) | 7. Ex-Link |
| 4. HDMI In 2 (ARC) | 8. Antenna In (Air / Cable) |



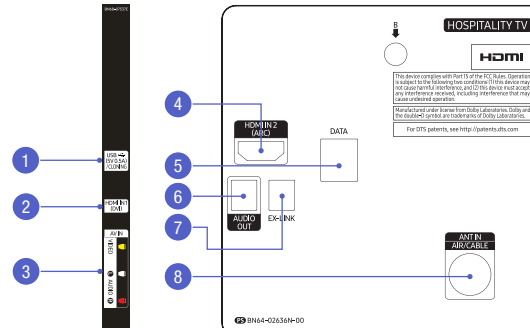
HG28NE470AF

- | | |
|-----------------------------|-----------------------------|
| 1. USB (5C 0.5A) / Cloning | 5. Data |
| 2. HDMI In 1 (DVI) | 6. Audio Out |
| 3. AV In (Video, Audio L/R) | 7. Ex-Link |
| 4. HDMI In 2 (ARC) | 8. Antenna In (Air / Cable) |



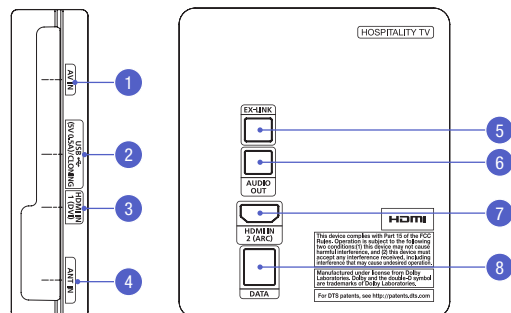
HG55NE470BF

- | | |
|-----------------------------|-----------------------------|
| 1. USB (5C 0.5A) / Cloning | 5. Data |
| 2. HDMI In 1 (DVI) | 6. Audio Out |
| 3. AV In (Video, Audio L/R) | 7. Ex-Link |
| 4. HDMI In 2 (ARC) | 8. Antenna In (Air / Cable) |



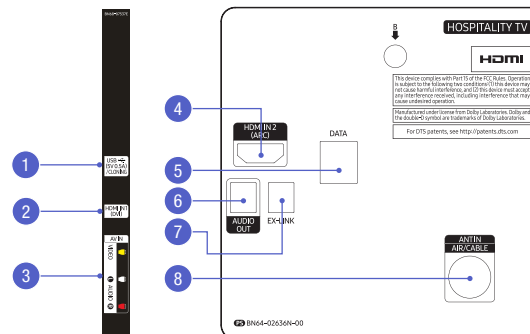
HG32NE470SF

- | | |
|----------------------------|--------------------|
| 1. AV In | 5. Ex-Link |
| 2. USB (5C 0.5A) / Cloning | 6. Audio Out |
| 3. HDMI In 1 (DVI) | 7. HDMI In 2 (ARC) |
| 4. Antenna In | 8. Data |



HG60NE470EF

- | | |
|----------------------------|-----------------------------|
| 1. USB (5C 0.5A) / Cloning | 5. Data |
| 2. HDMI In 1 (DVI) | 6. Audio Out |
| 3. AV In | 7. Ex-Link |
| 4. HDMI In 2 (ARC) | 8. Antenna In (Air / Cable) |



Samsung 470 Series Hospitality TVs

Samsung 470 Series Hospitality TVs Key Specifications For complete product specifications, visit samsung.com/b2bhospitalitytvs

		HG24NE470AF	HG28NE470AF	HG32NE470SF	HG40NE470SF
Display	Backlight	LED	LED	LED	LED
	Screen Size (Diagonal)	24"	28"	32"	40"
	HD/FHD	HD	HD	HD	FHD
	Resolution	1366 x 768	1366 x 768	1366 x 768	1920 x 1080
Video	Picture Engine	HyperReal	HyperReal	HyperReal	HyperReal
	Dynamic Contrast Ratio	Mega Contrast	Mega Contrast	Mega Contrast	Mega Contrast
	Viewing Angle (Horizontal/Vertical)	178/178	178/178	178/178	178/178
	Wide Color Enhancer (Plus)	Yes	Yes	Yes	Yes
	Auto Motion Plus	N/A	N/A	N/A	N/A
Audio	Film Mode	Yes	Yes	Yes	Yes
	Dolby Digital Plus	Yes	Yes	Yes	Yes
	DTS Codec	Yes	Yes	Yes	Yes
	Sound Output (RMS)	10W (L:5W, R:5W)	10W (L:5W, R:5W)	10W (L:5W, R:5W)	20W (L:10W, R:10W)
SMART TV Features	Speaker Type	2CH (Down Firing w/Base Reflex)	2CH (Down Firing w/Base Reflex)	2CH (Down Firing w/Base Reflex)	2CH (Down Firing w/Base Reflex)
	Wall Mount Sound Mode	Yes	Yes	Yes	Yes
System	Smart TV Type	Non Smart	Non Smart	Non Smart	Non Smart
	Accessibility	Voice Guide	Voice Guide	Voice Guide	Voice Guide
	Digital Clean View	Yes	Yes	Yes	Yes
	Auto Channel Search	Yes	Yes	Yes	Yes
	Auto Power Off	Yes	Yes	Yes	Yes
	Caption (Subtitle)	Yes	Yes	Yes	Yes
	ConnectShare™ (USB 2.0)	Yes	Yes	Yes	Yes
	EPG	Yes	Yes	Yes	Yes
	Game Mode	Yes	Yes	Yes	Yes
	OSD Language	English, Spanish, French	English, Spanish, French	English, Spanish, French	English, Spanish, French
	Picture-In-Picture	Yes	Yes	Yes	Yes
Hospitality Features	Digital Broadcasting	ATSC/Clear QAM	ATSC/Clear QAM	ATSC/Clear QAM	ATSC/Clear QAM
	Analog Tuner	Yes	Yes	Yes	Yes
	Samsung LYNK™ REACH (RF)	REACH 4.0	REACH 4.0	REACH 4.0	REACH 4.0
	Samsung LYNK™ REACH RF Modulator Compatibility	Yes	Yes	Yes	Yes
	Hospitality Home Menu	Home Menu 2015	Home Menu 2015	Home Menu 2015	Home Menu 2015
	Hospitality Plug&Play (Easy Setup)	Yes	Yes	Yes	Yes
	Auto Source Mode	Yes	Yes	Yes	Yes
	Power On Mode	Yes	Yes	Yes	Yes
	Hotel Channel List	Yes	Yes	Yes	Yes
	Channel Menu Display	Yes	Yes	Yes	Yes
	Mixed Channel List (ATSC, DVB-T/T2/C/S2, Analog)	Yes	Yes	Yes	Yes
	My Channel	Yes	Yes	Yes	Yes
	Energy Saving Mode (BLU Control)	Yes	Yes	Yes	Yes
	Logo Display with Timer Out Setting (BMP/Movie)	Yes	Yes	Yes	Yes
	Welcome Message	Yes	Yes	Yes	Yes
	RJ12 / IR Pass Through	Yes	Yes	Yes	Yes
	Clock Back Up Power Supply	Yes	Yes	Yes	Yes
	Software Clock	Yes	Yes	Yes	Yes
	Multi Code Remote Control	Yes	Yes	Yes	Yes
	Screwed Battery Cover	Yes	Yes	Yes	Yes
	Sound Bar Compatibility	Yes	Yes	Yes	Yes
	Music Mode (Input: PC/AU/Component/HDMI)	Yes	Yes	Yes	Yes
	Music Mode Backlight On/Off	Yes	Yes	Yes	Yes
	USB Cloning	Yes	Yes	Yes	Yes
	Smooovie Compatibility	Yes	Yes	Yes	Yes
	On/Off Timer (Schedule)	Yes	Yes	Yes	Yes
Wake-up Timer (Alarm)	Yes	Yes	Yes	Yes	
Samsung LYNK™ DRM	Yes	Yes	Yes	Yes	
Security Mode	Yes	Yes	Yes	Yes	
S/W EPG (Solution EPG)	Yes	Yes	Yes	Yes	
Input & Output	HDMI (Side/Rear)	1/1	1/1	1/1	1/1
	USB (Side/Rear)	1/0	1/0	1/0	1/0
	Composite In (AV) (Side/Rear)	1/0	1/0	1/0	1/0
	Audio Out (Mini Jack / LR) (Side/Rear)	0/1	0/1	0/1	0/1
	RF In (Terrestrial / Cable Input / Satellite Input)	0/1	0/1	1/0	0/1
	Ex-Link (RS232C)	Common (RJP)	Common (RJP)	Common (RJP)	Common (RJP)
	HDMI A / Return Ch. Support	Yes	Yes	Yes	Yes
	AnyNet+ (HDMI-CEC)	Yes	Yes	Yes	Yes
Design	RJ12	0/1	0/1	0/1	0/1
	RJP Jack (For Remote Jackpack)	0/1	0/1	0/1	0/1
	Front Color	Black	Black	Black	Black
Dimensions (W x H x D)	Stand Type	Square	Square	Square	Square
	Swivel (Left/Right)	N/A	N/A	90/90	90/90
	Set Size without Stand - Wall Mount Side (WxHxD) (mm/in)	561.8 x 349.1 x 47.9 / 22.1" x 13.7" x 1.9"	643.4 x 396.5 x 49.1 / 25.0" x 15.6" x 1.9"	745.4 x 442.2 x 57.9 / 29.3" x 17.4" x 2.3"	922.7 x 530.7 x 58.8 / 36.3" x 20.9" x 2.3"
	Set Size without Stand - Speaker Side (WxHxD) (mm/in)	561.8 x 349.1 x 65.2 / 22.1" x 13.7" x 2.6"	643.4 x 396.5 x 62.9 / 25.0" x 15.6" x 2.5"	745.4 x 442.2 x 69.0 / 29.3" x 17.4" x 2.7"	922.7 x 530.7 x 72.0 / 36.3" x 20.9" x 2.8"
	Set Size with Stand (WxHxD) (mm/in)	561.8 x 384.2 x 163.8 / 22.1" x 15.1" x 6.4"	643.4 x 435.0 x 163.3 / 25.0" x 17.1" x 6.4"	745.4 x 484.7 x 192.6 / 29.3" x 19.1" x 7.6"	922.7 x 582.3 x 226.5 / 36.3" x 22.9" x 8.9"
Weight	Package Size (WxHxD) (mm/inch)	743.0 x 407.0 x 114.0 / 29.3" x 16.0" x 4.5"	815.0 x 463.0 x 108.0 / 32.1" x 18.2" x 4.3"	912.0 x 507.0 x 135.0 / 35.9" x 20.0" x 5.3"	1097.0 x 614.0 x 143.0 / 43.2" x 24.2" x 5.6"
	Set Weight without Stand (kg / lbs)	3.9 / 8.6	3.8 / 8.4	4.0 / 8.8	6.8 / 15.0
	Set Weight with Stand (kg / lbs)	4.1 / 9.0	4.2 / 9.3	5.6 / 12.3	9.7 / 21.4
Power	Package Weight (kg / lbs)	5.1 / 11.2	5.4 / 11.9	7.2 / 15.9	12 / 26.5
	Power Supply (V)	AC110-120V 60Hz	AC110-120V 60Hz	AC110-120V 60Hz	AC110-120V 60Hz
Accessory	Remote Controller Model	TM1240A	TM1240A	TM1240A	TM1240A
	Batteries (for Remote Control)	Yes	Yes	Yes	Yes
	Mini Wall Mount Support	N/A	N/A	Yes	Yes
	Vesa Wall Mount Support	Yes	Yes	Yes	Yes
	Power Cable	Yes	Yes	Yes	Yes
	Quick Install Guide	Yes	Yes	Yes	Yes
	Data Cable	Yes	Yes	Yes	Yes
	Stand Mount Kit	N/A	Yes	Yes	Yes
Security Screws	N/A	Yes	Yes	Yes	

Samsung 470 Series Hospitality TVs

Samsung 470 Series Hospitality TVs Key Specifications For complete product specifications, visit samsung.com/b2bhospitalitytvs

		HG43NE470SF	HG50NE470SF	HG55NE470BF	HG60NE470EF
Display	Backlight	LED	LED	LED	LED
	Screen Size (Diagonal)	43"	50"	55"	60"
	HD/FHD	FHD	FHD	FHD	FHD
	Resolution	1920 x 1080	1920 x 1080	1920 x 1080	1920 x 1080
Video	Picture Engine	HyperReal	HyperReal	HyperReal	HyperReal
	Dynamic Contrast Ratio	Mega Contrast	Mega Contrast	Mega Contrast	Mega Contrast
	Viewing Angle (Horizontal/Vertical)	178/178	178/178	178/178	178/178
	Wide Color Enhancer (Plus)	Yes	Yes	Yes	Yes
	Auto Motion Plus	N/A	N/A	N/A	Yes
Audio	Film Mode	Yes	Yes	Yes	Yes
	Dolby Digital Plus	Yes	Yes	Yes	Yes
	DTS Codec	Yes	Yes	Yes	Yes
	Sound Output (RMS)	20W (L:10W, R:10W)	20W (L:10W, R:10W)	20W (L:10W, R:10W)	20W (L:10W, R:10W)
SMART TV Features	Speaker Type	2CH (Down Firing w/Base Reflex)	2CH (Down Firing w/Base Reflex)	2CH (Down Firing w/Base Reflex)	2CH (Down Firing w/Base Reflex)
	Wall Mount Sound Mode	Yes	Yes	Yes	Yes
System	Smart TV Type	Non Smart	Non Smart	Non Smart	Non Smart
	Accessibility	Voice Guide	Voice Guide	Voice Guide	Voice Guide
	Digital Clean View	Yes	Yes	Yes	Yes
	Auto Channel Search	Yes	Yes	Yes	Yes
	Auto Power Off	Yes	Yes	Yes	Yes
	Caption (Subtitle)	Yes	Yes	Yes	Yes
	ConnectShare™ (USB 2.0)	Yes	Yes	Yes	Yes
	EPG	Yes	Yes	Yes	Yes
	Game Mode	Yes	Yes	Yes	Yes
	OSD Language	English, Spanish, French	English, Spanish, French	English, Spanish, French	English, Spanish, French
Hospitality Features	Picture-In-Picture	Yes	Yes	Yes	Yes
	Digital Broadcasting	ATSC/Clear QAM	ATSC/Clear QAM	ATSC/Clear QAM	ATSC/Clear QAM
	Analog Tuner	Yes	Yes	Yes	Yes
	Samsung LYNK™ REACH (RF)	REACH 4.0	REACH 4.0	REACH 4.0	REACH 4.0
	Samsung LYNK™ REACH RF Modulator Compatibility	Yes	Yes	Yes	Yes
	Hospitality Home Menu	Home Menu 2015	Home Menu 2015	Home Menu 2015	Home Menu 2015
	Hospitality Plug&Play (Easy Setup)	Yes	Yes	Yes	Yes
	Auto Source Mode	Yes	Yes	Yes	Yes
	Power On Mode	Yes	Yes	Yes	Yes
	Hotel Channel List	Yes	Yes	Yes	Yes
	Channel Menu Display	Yes	Yes	Yes	Yes
	Mixed Channel List (ATSC, DVB-T2/C/S2, Analog)	Yes	Yes	Yes	Yes
	My Channel	Yes	Yes	Yes	Yes
	Energy Saving Mode (BLU Control)	Yes	Yes	Yes	Yes
	Logo Display with Timer Out Setting (BMP/Movie)	Yes	Yes	Yes	Yes
	Welcome Message	Yes	Yes	Yes	Yes
	RJ12 / IR Pass Through	Yes	Yes	Yes	Yes
	Clock Back Up Power Supply	Yes	Yes	Yes	Yes
	Software Clock	Yes	Yes	Yes	Yes
	Multi Code Remote Control	Yes	Yes	Yes	Yes
	Screwed Battery Cover	Yes	Yes	Yes	Yes
	Sound Bar Compatibility	Yes	Yes	Yes	Yes
	Music Mode (Input: PC/AU/Component/HDMI)	Yes	Yes	Yes	Yes
	Music Mode Backlight On/Off	Yes	Yes	Yes	Yes
	USB Cloning	Yes	Yes	Yes	Yes
	Smooovie Compatibility	Yes	Yes	Yes	Yes
	On/Off Timer (Schedule)	Yes	Yes	Yes	Yes
	Wake-up Timer (Alarm)	Yes	Yes	Yes	Yes
	Samsung LYNK™ DRM	Yes	Yes	Yes	Yes
	Security Mode	Yes	Yes	Yes	Yes
S/W EPG (Solution EPG)	Yes	Yes	Yes	Yes	
Input & Output	HDMI (Side/Rear)	1/1	1/1	1/1	1/1
	USB (Side/Rear)	1/0	1/0	1/0	1/0
	Composite In (AV) (Side/Rear)	1/0	1/0	1/0	1/0
	Audio Out (Mini Jack / LR) (Side/Rear)	0/1	0/1	0/1	0/1
	RF In (Terrestrial / Cable Input / Satellite Input)	0/1	0/1	1/0	0/1
	Ex-Link (RS232C)	Common (RJP)	Common (RJP)	Common (RJP)	Common (RJP)
	HDMI A / Return Ch. Support	Yes	Yes	Yes	Yes
	AnyNet+ (HDMI-CEC)	Yes	Yes	Yes	Yes
	RJ12	0/1	0/1	0/1	0/1
Design	RJP Jack (For Remote Jackpack)	0/1	0/1	0/1	0/1
	Front Color	Black	Black	Black	Black
	Stand Type	Square	Square	Square	Square
Dimensions (W x H x D)	Swivel (Left/Right)	90/90	90/90	90/90	90/90
	Set Size without Stand - Wall Mount Side (WxHxD) (mm/in)	985.5 x 575.3 x 58.8 / 38.8 x 22.6 x 2.3	1140.8 x 662.3 x 59.9 / 44.9 x 26.1 x 2.4	1231.6 x 708.6 x 50.2 / 48.5 x 27.9 x 1.9	1365.0 x 786.4 x 51.6 / 53.7 x 31.0 x 2.0
	Set Size without Stand - Speaker Side (WxHxD) (mm/in)	985.5 x 575.3 x 72.2 / 38.8 x 22.6 x 2.8	1140.8 x 662.3 x 72.9 / 44.9 x 26.1 x 2.9	1231.6 x 708.6 x 68.6 / 48.5 x 27.9 x 2.7	1365.0 x 786.4 x 64.4 / 53.7 x 31.0 x 2.5
	Set Size with Stand (WxHxD) (mm/in)	985.5 x 624.2 x 226.5 / 38.8 x 24.6 x 8.9	1140.8 x 713.9 x 226.5 / 44.9 x 28.1 x 8.9	1231.6 x 763.5 x 226.4 / 48.5 x 30.1 x 8.9	1365.0 x 859.3 x 355.1 / 53.7 x 33.8 x 14.0
	Package Size (WxHxD) (mm/inch)	1162.0 x 649.0 x 142.0 / 45.7 x 25.6 x 5.6	1345.0 x 754.0 x 157.0 / 53.0 x 29.7 x 6.2	1470.0 x 815.0 x 145.0 / 57.9 x 32.1 x 5.7	1685.0 x 947.0 x 175.0 / 66.3 x 37.3 x 6.9
Weight	Set Weight without Stand (kg / lbs)	7.7 / 17.0	10.4 / 23.0	13.6 / 30.0	21.1 / 46.5
	Set Weight with Stand (kg / lbs)	10.7 / 23.6	13.3 / 29.3	16.5 / 36.4	26.1 / 57.5
	Package Weight (kg / lbs)	12.8 / 28.2	17.3 / 38.1	21.3 / 47.0	32.9 / 72.5
Power	Power Supply (V)	AC110-120V 60Hz	AC110-120V 60Hz	AC110-120V 60Hz	AC110-120V 60Hz
Accessory	Remote Controller Model	TM1240A	TM1240A	TM1240A	TM1240A
	Batteries (for Remote Control)	Yes	Yes	Yes	Yes
	Mini Wall Mount Support	Yes	Yes	Yes	Yes
	Vesa Wall Mount Support	Yes	Yes	Yes	Yes
	Power Cable	Yes	Yes	Yes	Yes
	Quick Install Guide	Yes	Yes	Yes	Yes
	Data Cable	Yes	Yes	Yes	Yes
	Stand Mount Kit	Yes	Yes	Yes	Yes
	Security Screws	Yes	Yes	Yes	Yes

Learn more samsung.com/business insights.samsung.com samsung.com/b2bhospitalitytvs

Product support 1-866-SAM4BIZ

Follow us  youtube.com/samsungbizusa  @SamsungBizUSA

SAMSUNG