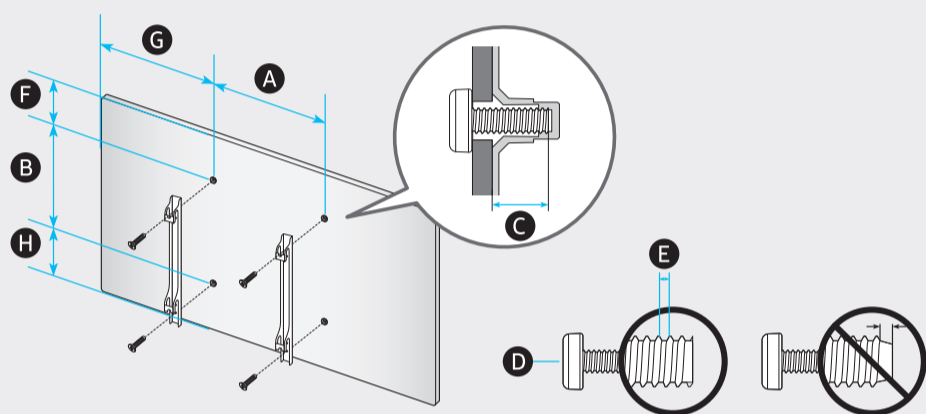


| | A | B | C | D | E | F | G | H |
|----------------------|----------------------------|----------------------------|-------------------------|----------------------------|---------------------------|-------------|------------------------|------------------------|
| QN82Q6*T QN82Q7*T | 72.1 inches (1830.6 mm) | 41.1 inches (1044.2 mm) | 2.4 inches (60.7 mm) | 45.3 inches (1149.8 mm) | 15.4 inches (392.1 mm) | 81.5 inches | 96.3 lbs (43.7 kg) | 99.0 lbs (44.9 kg) |
| QN85Q6*T QN85Q7*T | 74.7 inches (1896.3 mm) | 42.6 inches (1082.5 mm) | 2.4 inches (59.9 mm) | 46.7 inches (1186.4 mm) | 15.4 inches (392.1 mm) | 84.5 inches | 104.7 lbs (47.5 kg) | 107.4 lbs (48.7 kg) |
| UN85TU8*** | 74.6 inches (1895.9 mm) | 42.7 inches (1083.9 mm) | 2.4 inches (60.9 mm) | 46.7 inches (1186.7 mm) | 15.4 inches (392.2 mm) | 84.5 inches | 88.6 lbs (40.2 kg) | 91.1 lbs (41.3 kg) |

*: 0~9, A~Z



| | VESA A x B (mm) | C (mm) | D x 4 | E (mm) | F (inches) | G (inches) | H (inches) |
|----------------------|-----------------|--------|-------|--------|------------|------------|------------|
| QN82Q6*T QN82Q7*T | 600 x 400 | 39-41 | M8 | 1.25 | 8.8 | 24.2 | 16.5 |
| QN85Q6*T QN85Q7*T | | | | | 10.3 | 25.5 | 16.5 |
| UN85TU8*** | | 20-22 | | | 9.8 | 25.5 | 16.9 |

*: 0~9, A~Z

SAMSUNG

QUICK SETUP GUIDE



Scan this QR code with your smart phone to see helpful videos.

