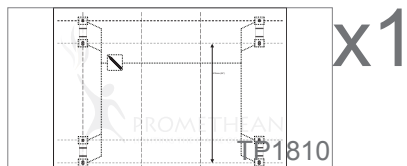
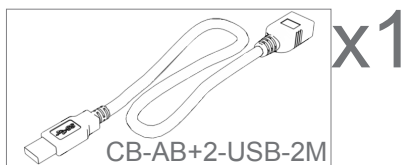
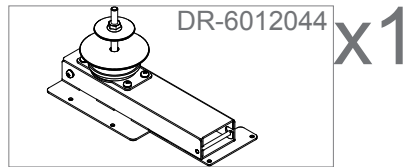
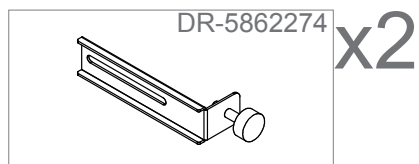
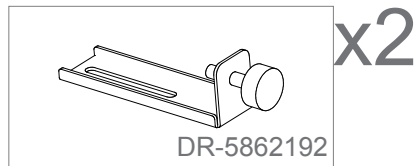
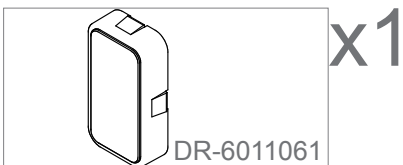
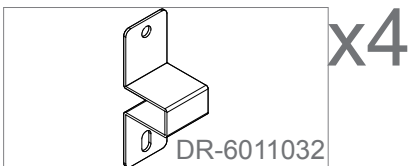
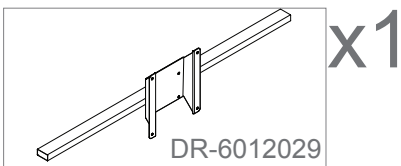
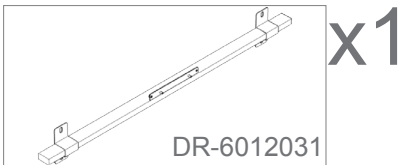
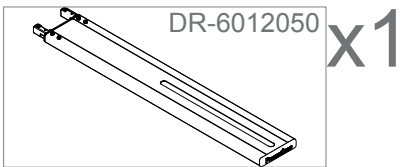
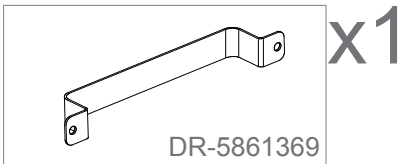
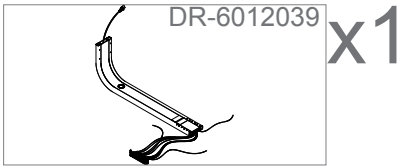
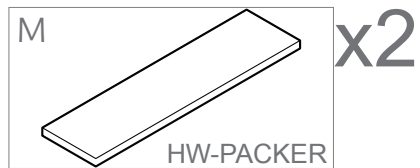
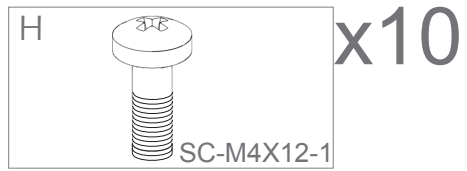
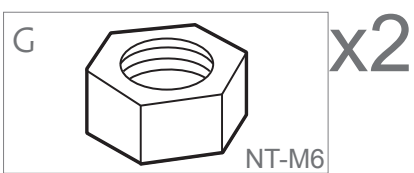
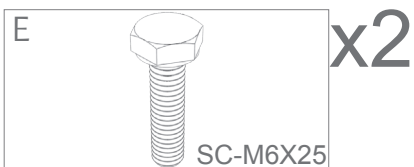
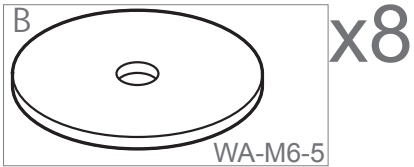
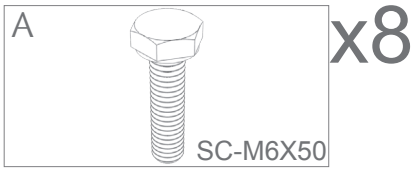


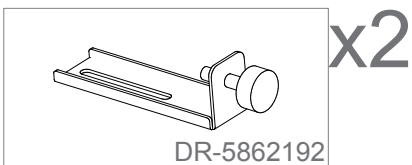
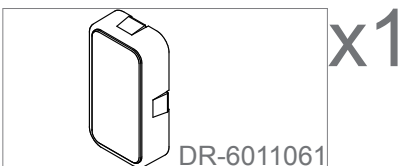
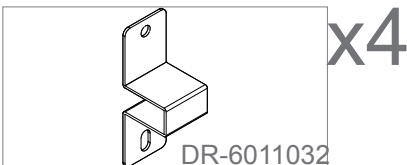
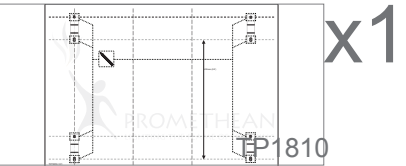
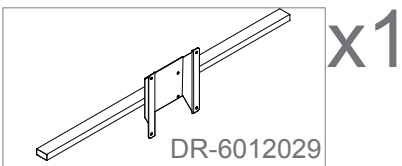
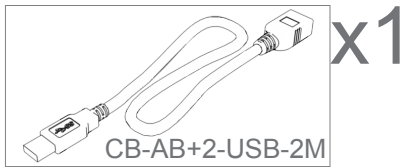
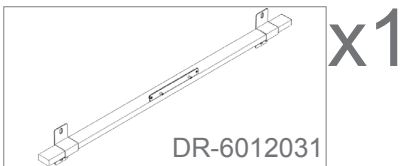
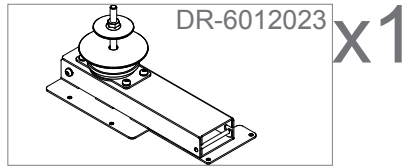
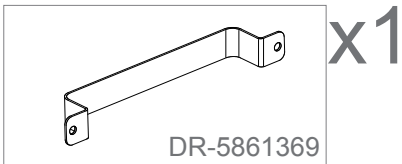
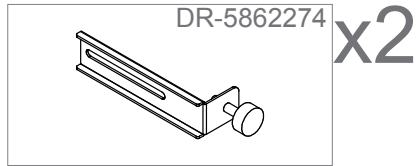
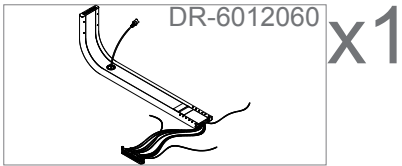
# ActivBoard System

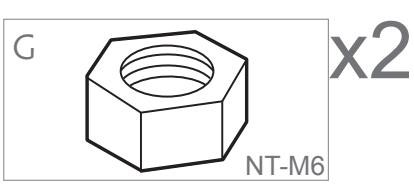
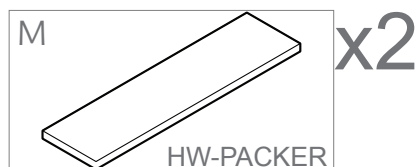
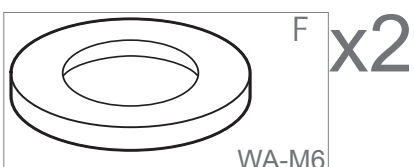
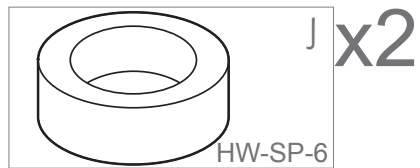
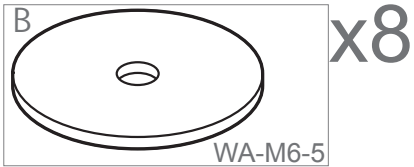
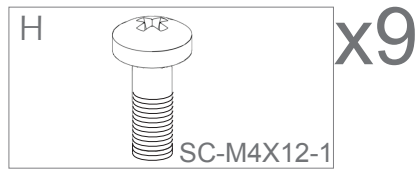
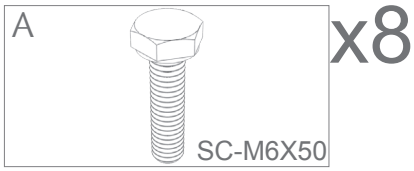
# ST-BOOM-F



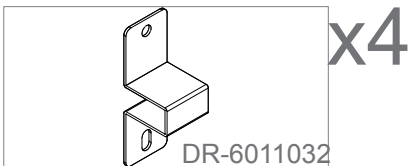
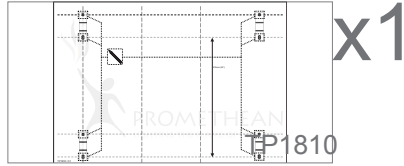
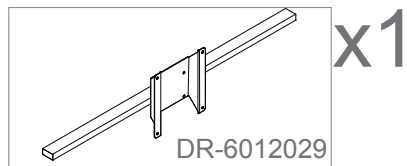
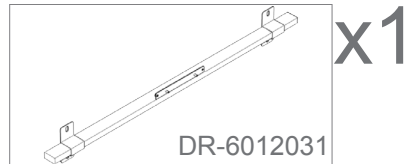
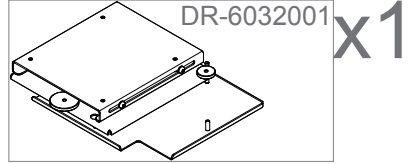
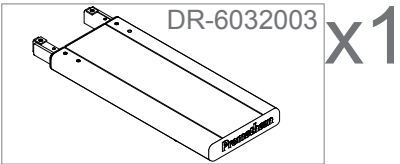
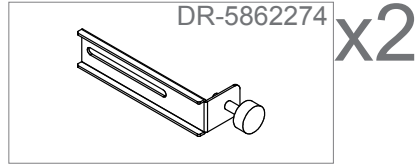
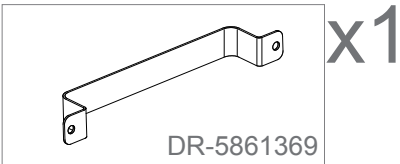
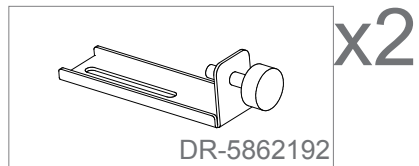
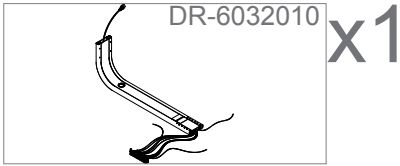


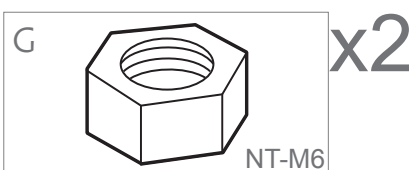
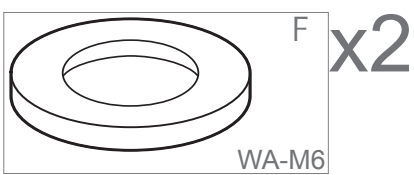
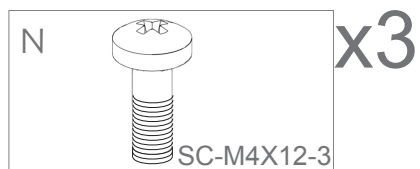
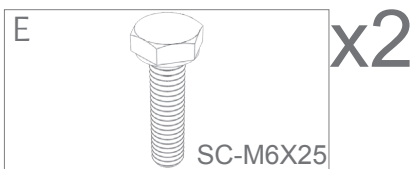
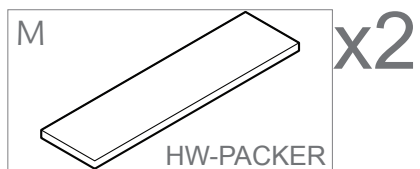
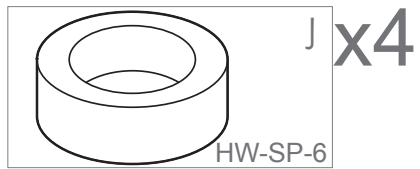
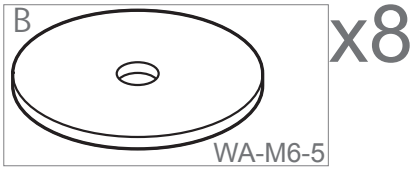
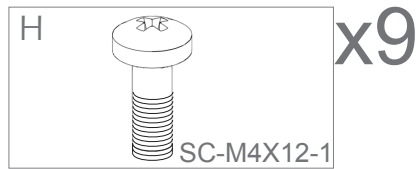
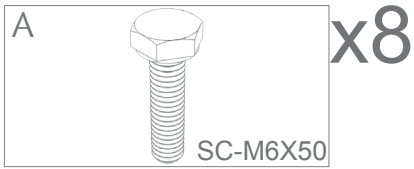
# ST-BOOM-F-EST

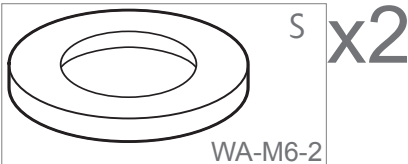




# ST-BOOM-F-UST









For your safety, read this guide before installation. Incorrect handling, installation or modification to the system could result in personal injury, property damage, damage to the components or render your warranty invalid. Keep this installation guide for future reference.

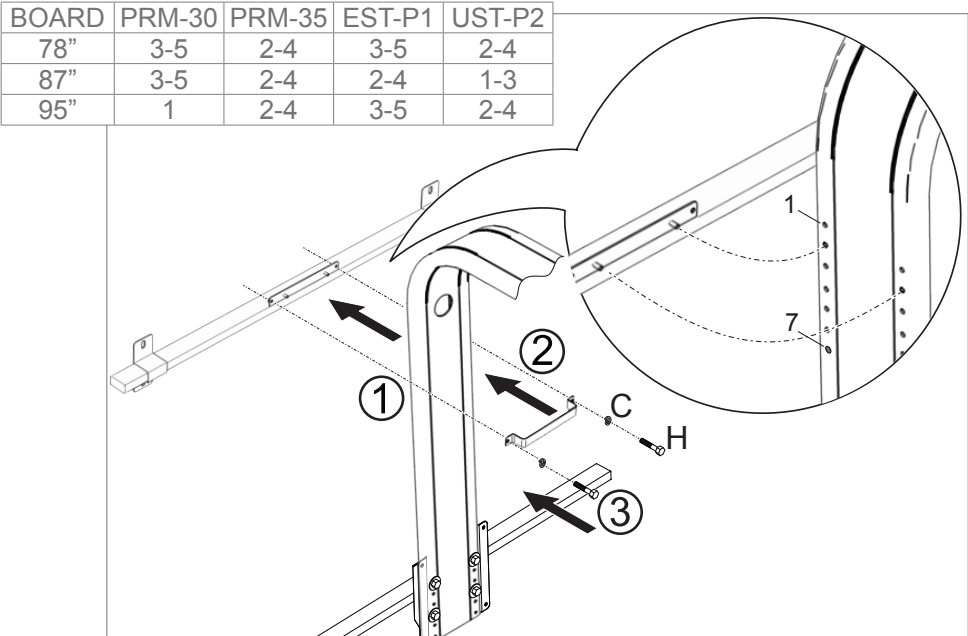
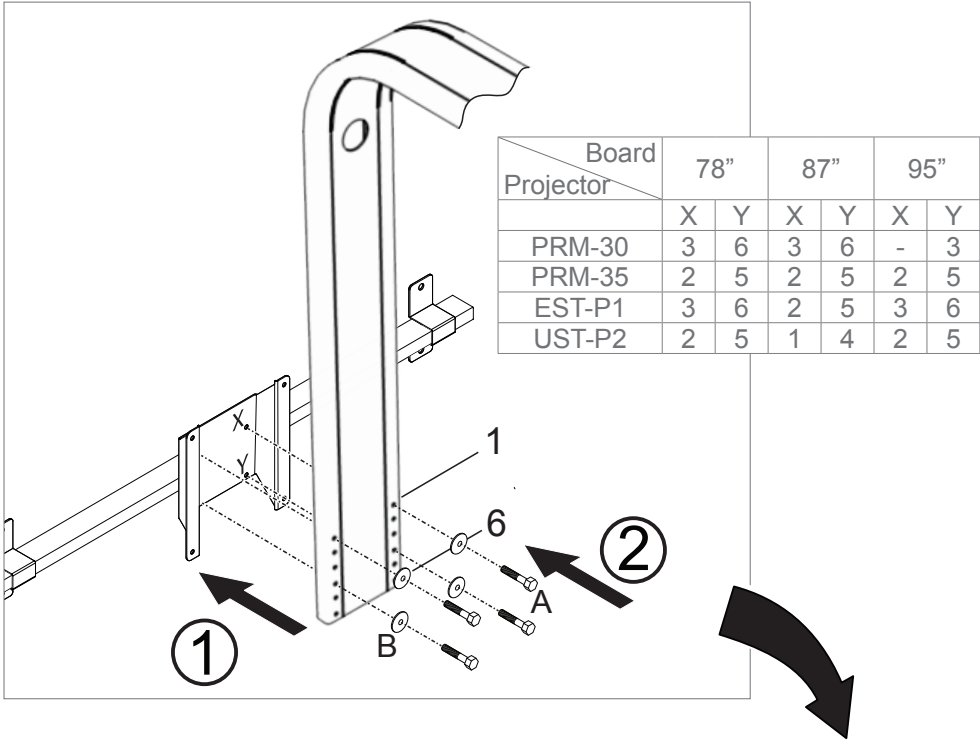
Before starting the installation, check for obstructions within the wall and make sure that the ActivBoard system is located at a safe distance from any pipes and cables.

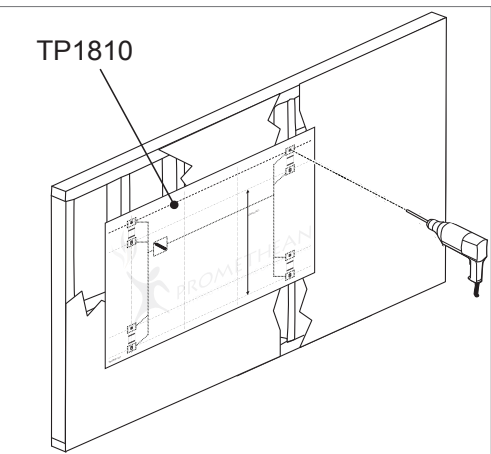
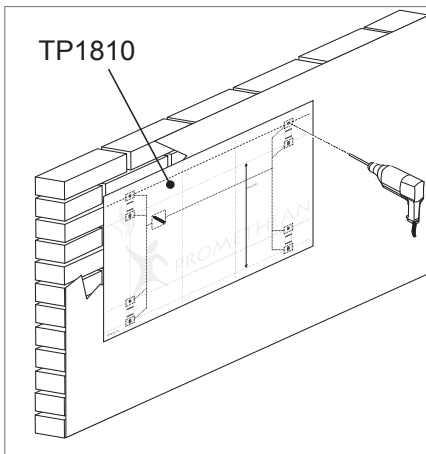
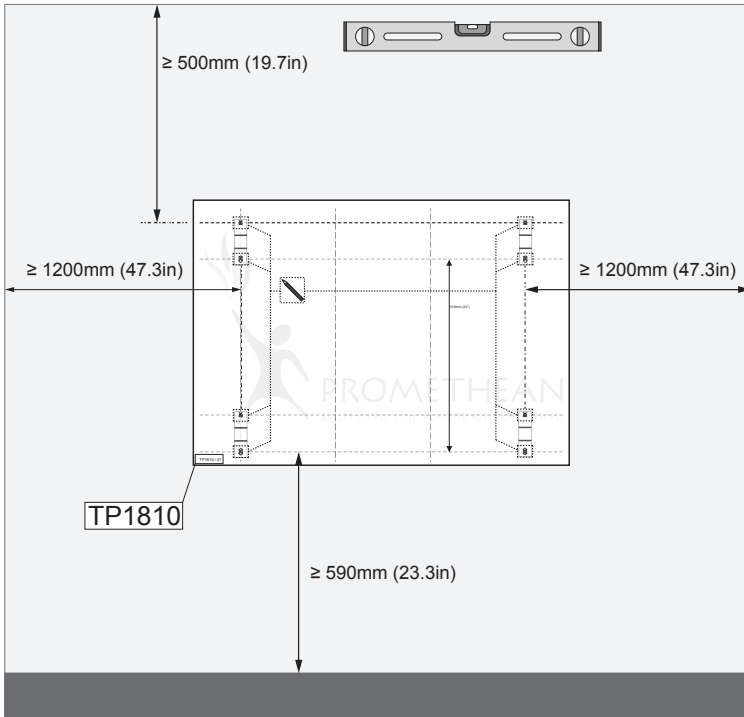
If the wall is not strong enough to support the weight of the system, reinforce the wall before installation. The number, position and type of fixings used should be determined by the installer and be suitable for the wall construction.

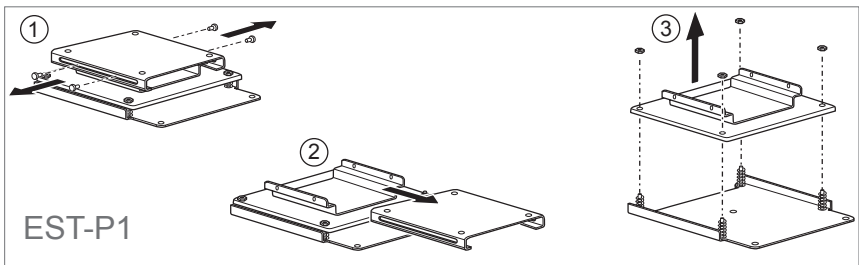
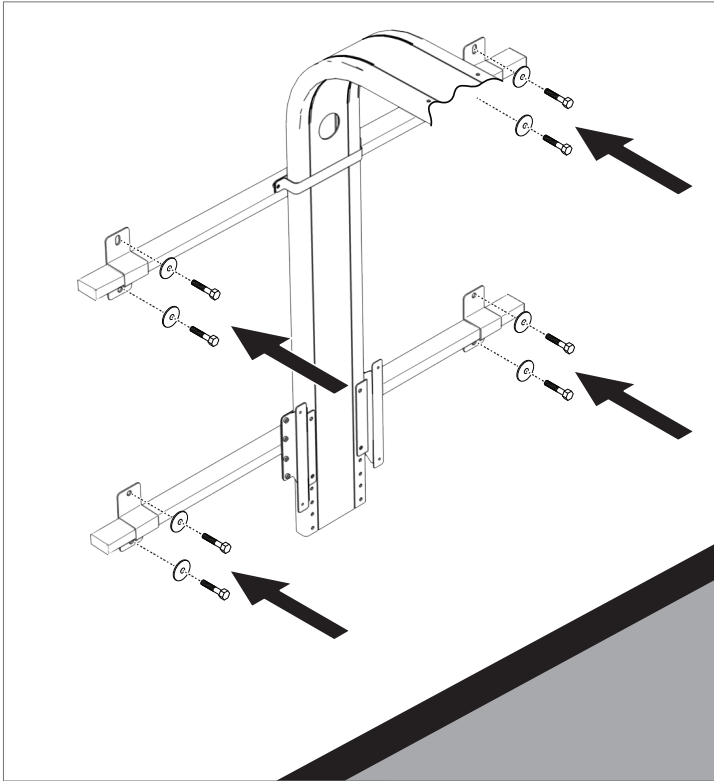
The installation work must be performed by a competent person. Attempting to install the product without relevant experience is done so at your own risk.

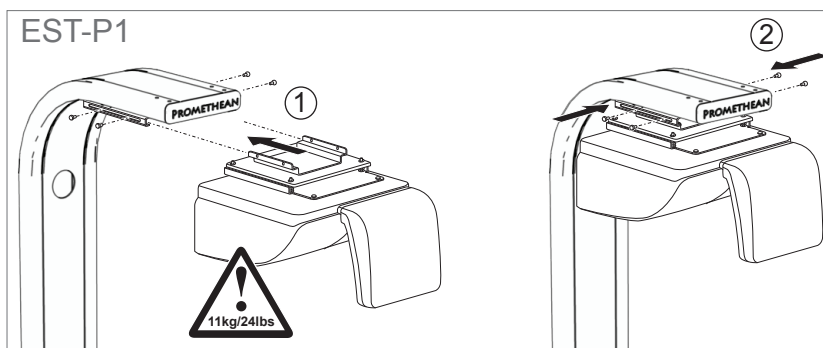
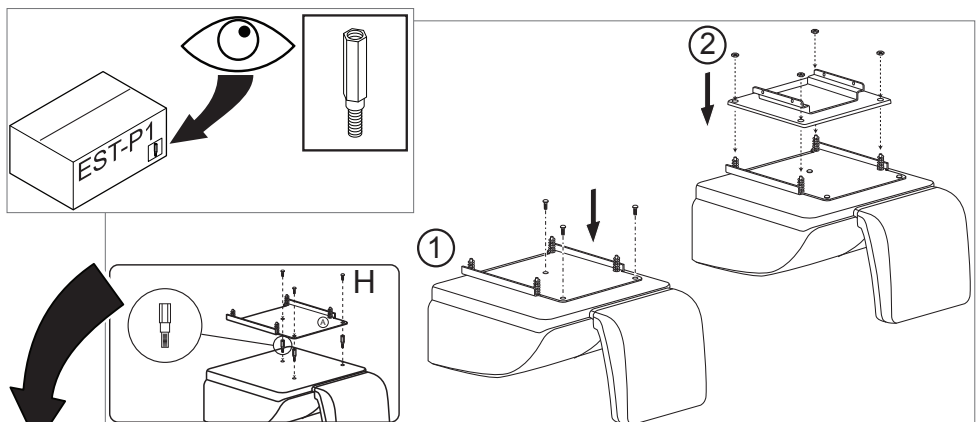
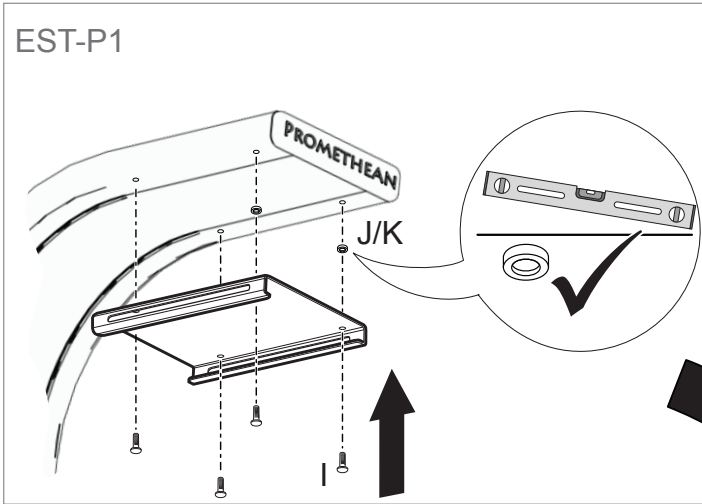
Take care when feeding the cables through the system boom and behind the ActivBoard during installation.

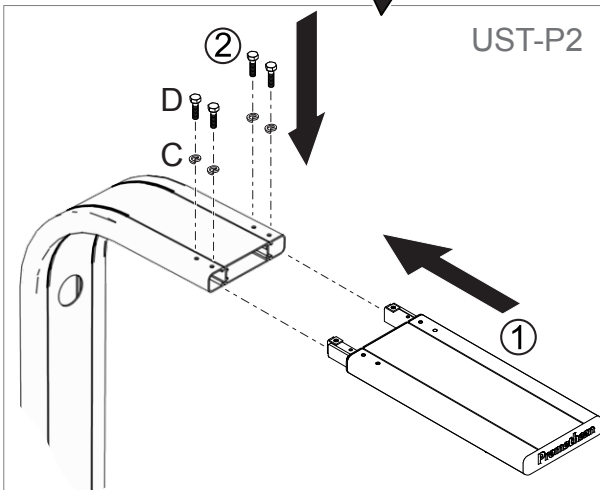
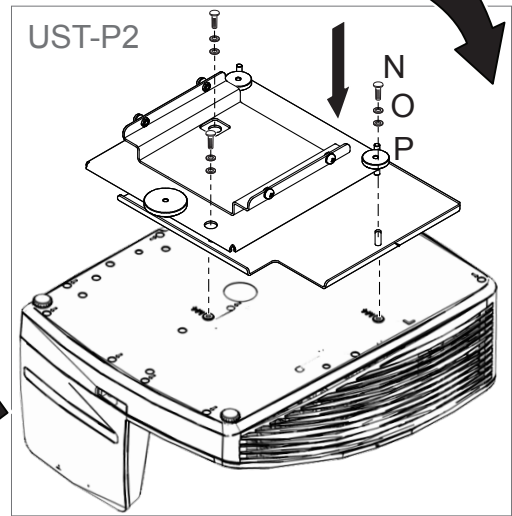
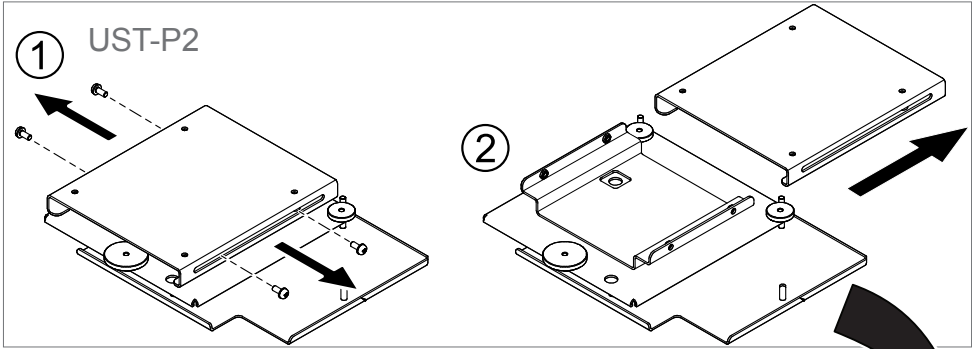
Refer to the manuals for your ActivBoard and Projector for correct location, installation, safety and setup information.

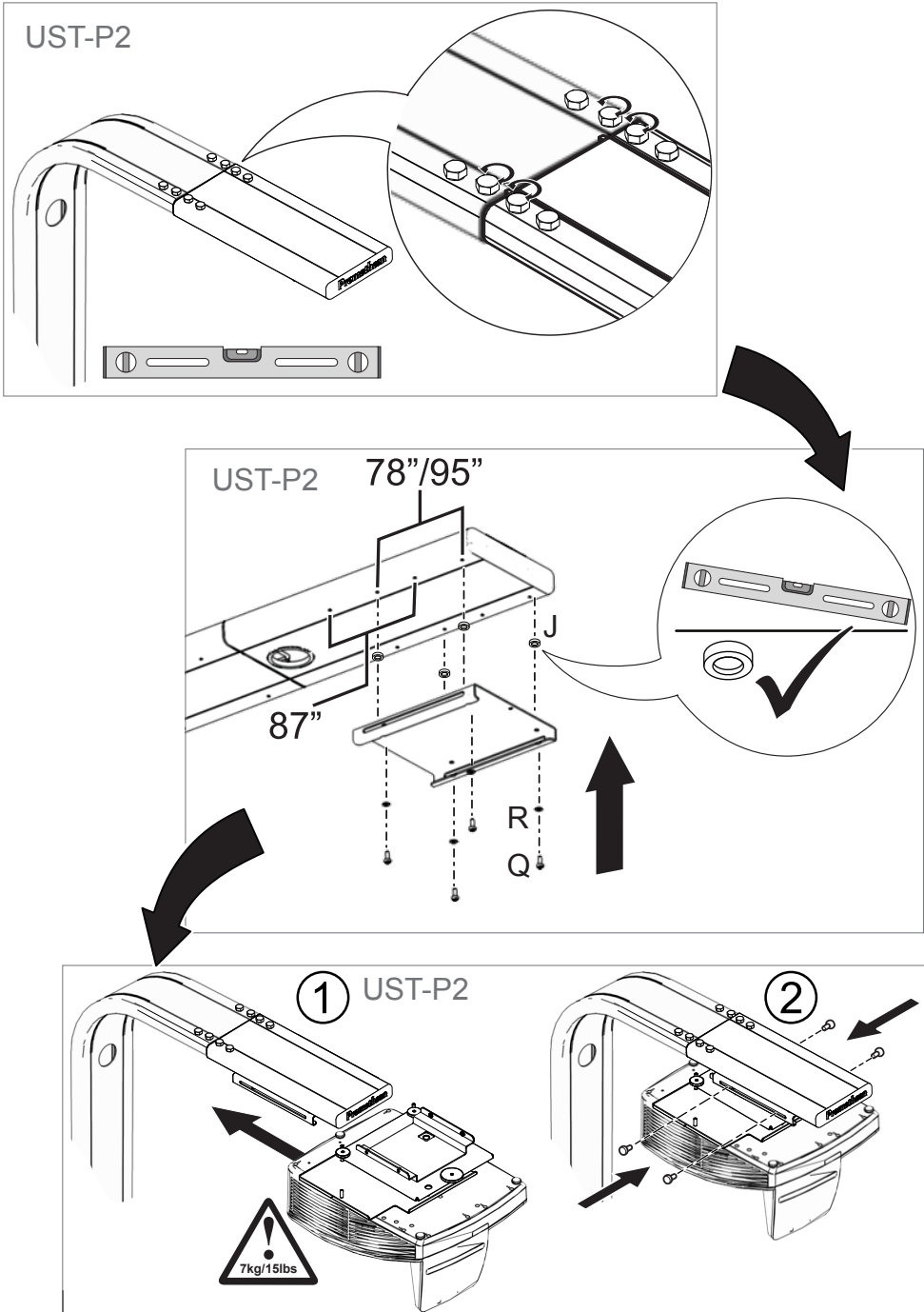


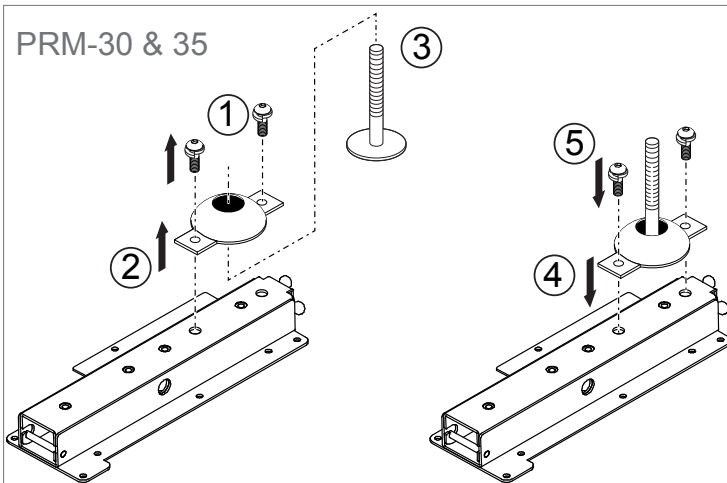
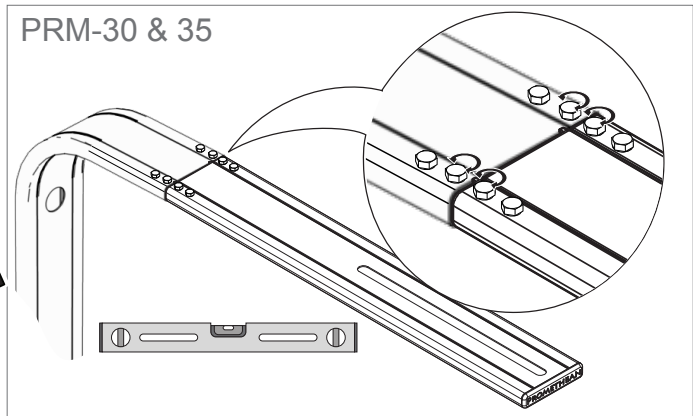
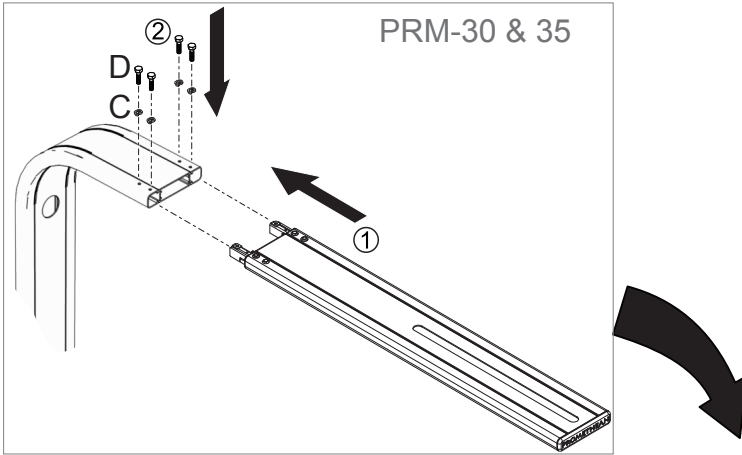




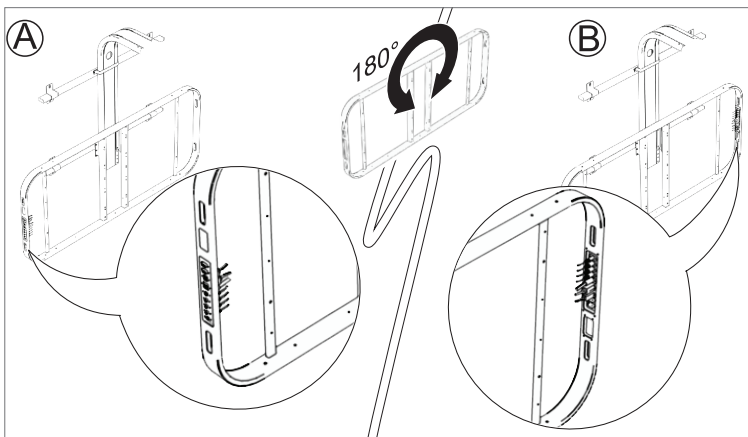
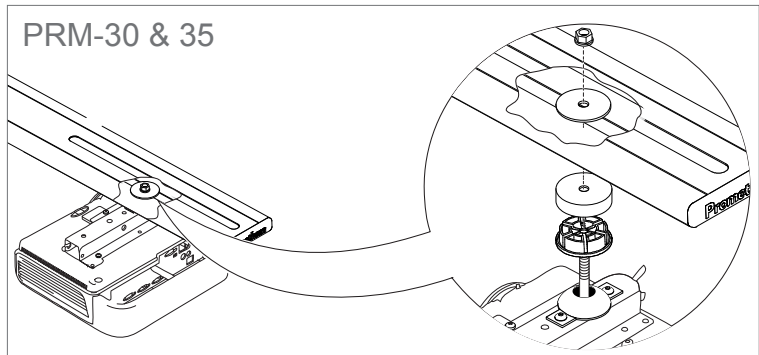
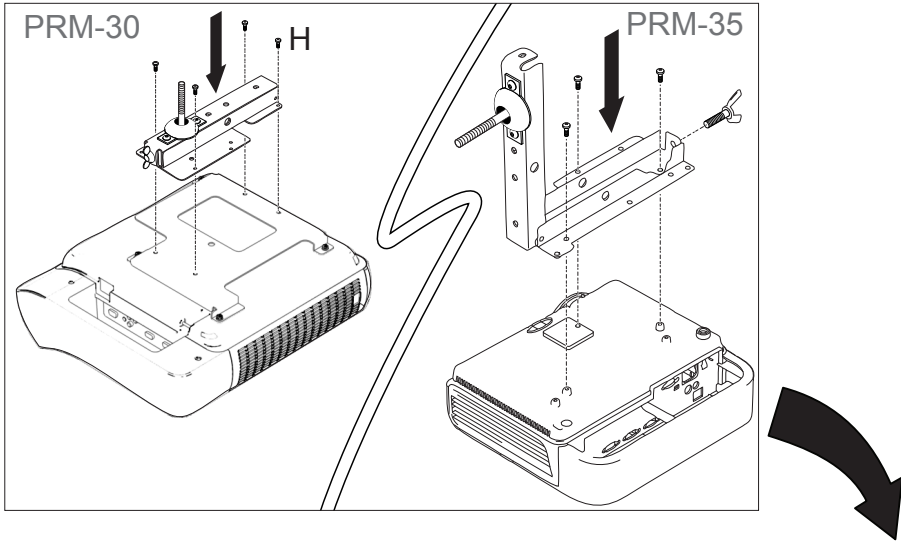


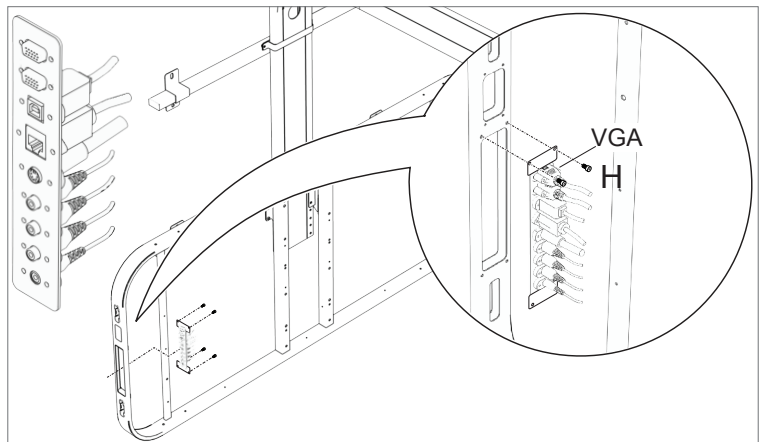
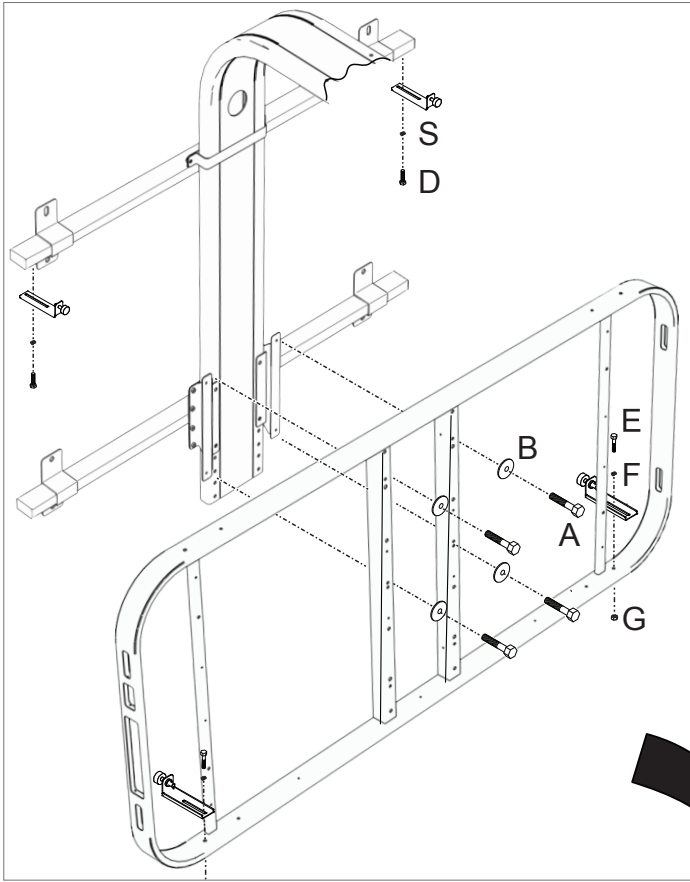


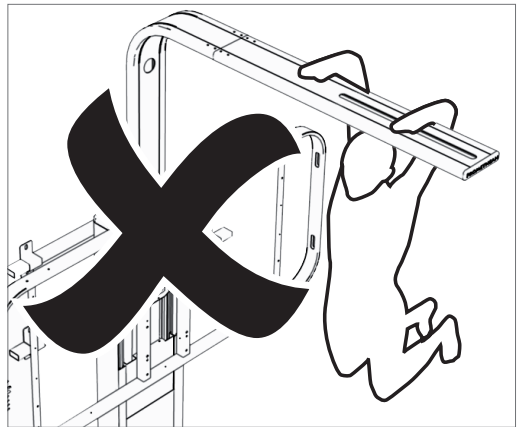
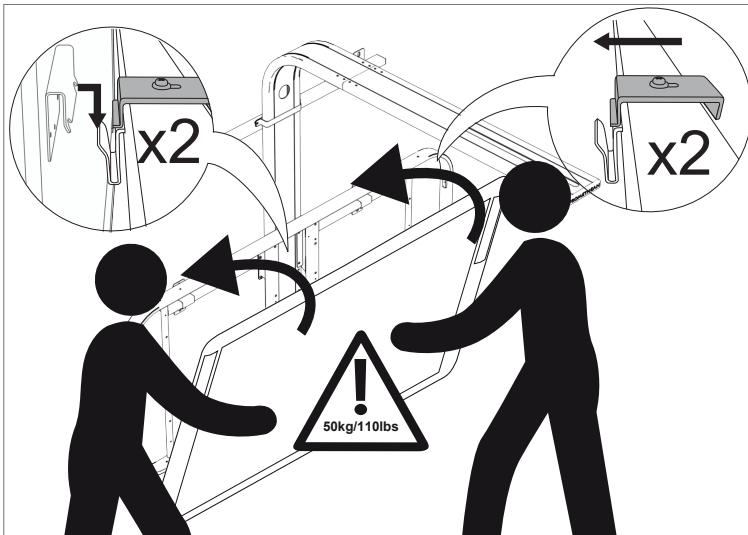
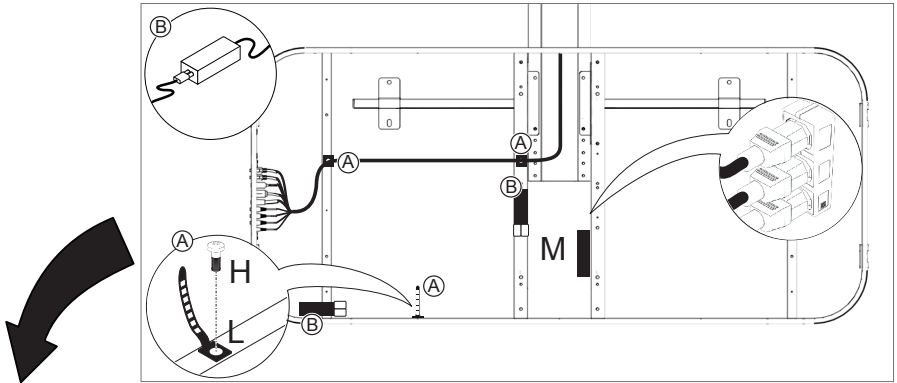














[www.PrometheanKB.com](http://www.PrometheanKB.com)



[www.PrometheanWorld.com](http://www.PrometheanWorld.com)