



*Advanced-Series*



# Doorphone Video Intercom

**Colour Camera with 3.5" LCD Screen**

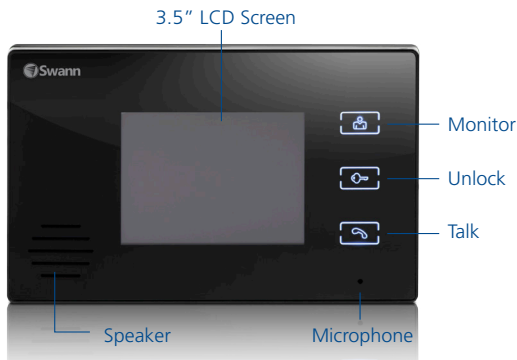
# Package Contents

## What's in the box:

- 3.5" LCD monitor
- Outdoor camera
- Power adapter
- Cable 50ft/15m
- Mounting screws, brackets & plugs
- Operating instructions



## Layout



**LCD SCREEN:** This is where you view your visitor that the outdoor camera sees.

**MONITOR:** Press this button to connect to the camera and view what the outdoor camera sees.

**UNLOCK:** If you have attached an electronic door unit to the Doorphone, you can unlock the door by pressing this button.

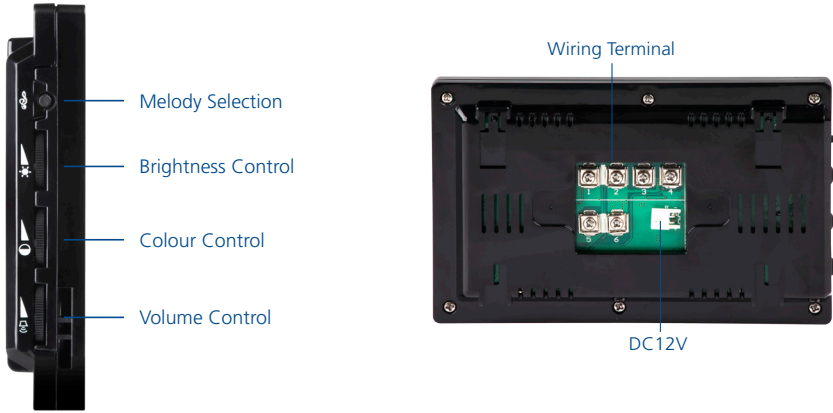
**TALK:** Press the TALK button to speak to the visitor. You don't need to hold down the button as the Doorphone communicates with the outdoor camera for one minute. If you need to speak for longer, press the TALK button again.

**MICROPHONE:** Speak into the microphone to communicate with the visitor.

**SPEAKER:** This is where you hear the visitor speak to you from the outdoor camera.

**\*Note:** Please remove the protective plastic from the Doorphone before installation.

# Layout



The left side of the Doorphone has extra controls that you can adjust.

**MELODY SELECTION:** There is a wide variety of different melodies that you can select from. Press this button to select a different melody.

**BRIGHTNESS:** This adjusts the brightness of the image seen on the Doorphone.

**COLOUR:** This adjusts the colour level of the image seen on the Doorphone.

**VOLUME:** This adjusts the volume level of the speaker.

**WIRING TERMINAL:** This is where the enclosed cable is connected to.

**DC 12V:** This is where you plug the power adapter.



**MICROPHONE:** This is where the visitors speak to you.

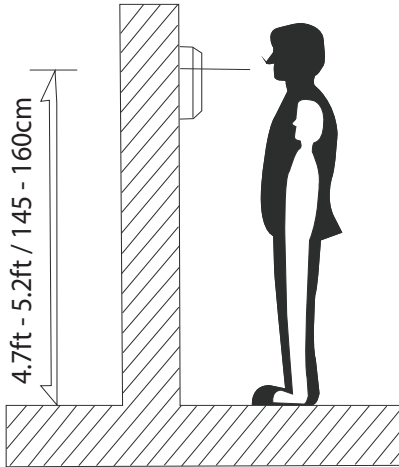
**CAMERA LENS:** This is where the image of the visitor is captured.

**INFRARED LIGHT:** The infrared light is what allows the camera to see visitors at night. The image will appear in black and white.

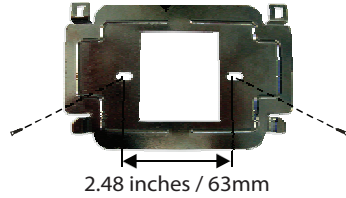
**CALL BUTTON (DOORBELL):** When the visitor presses this button, the doorbell will ring and the Doorphone will display the image from the camera.

**SPEAKER:** This is where the visitor hears you speak to them from the Doorphone.

# Doorphone Installation

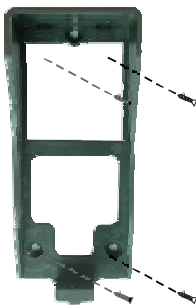
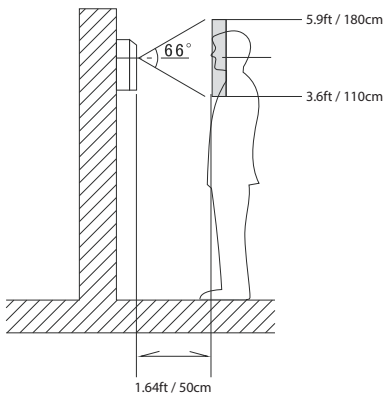


The ideal installation height of the Doorphone is about 4.7ft-5.2ft / 145-160cm from the ground.



We recommend you drill a hole in the wall and to insert the cable before you screw the mounting bracket on. Connect the provided cable and power adapter to the rear of the Doorphone (see page 5). To mount the Doorphone, use the two screws to secure the mounting bracket to the wall. Make sure the four metal hooks are pointing up. Place the Doorphone onto the mounting plate, lining up the four hooks with the grooves in the back of the Doorphone. Then slide the Doorphone down to secure it onto the hooks.

# Outdoor Camera Installation

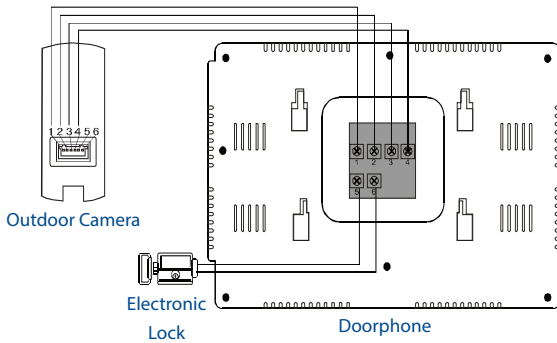


To mount the outdoor camera run the cable from the Doorphone and pull it through the hole you created at the camera mounting point, and then use the four screws to secure the mounting bracket to the wall with the wire inside the bracket so you can connect the camera.

Attach the cable to the rear of the outdoor camera as shown in the wiring diagram (see page 5). Use a small screwdriver to push in the small button atop each wire terminal, and then insert the wire. Place the outdoor camera onto the mounting bracket and slide it in top-edge first to ensure the notches fit into the guide holes at the top of the bracket.

To finish, secure the outdoor camera to the mounting bracket by inserting the screw through the bottom of the bracket which holds it in place. Cover the hole with the provided silicon cap.

# Wiring diagram



1. Audio wire — Blue
2. Ground wire — Brown
3. Video wire — Green
4. Power wire — Black

Attach the cable to the rear of the Doorphone by sliding the U-shaped connection under each screw terminal. Screw into place and be careful not to over tighten.

**\*Note -** The colour indication is only a guide. Make sure that the same coloured wire is attached to the same terminal on each device, for example - blue wire connects to terminal one on the Doorphone, also connects to terminal one on the outdoor camera. An additional Doorphone can also be connected so you can view the video feed from another room. Make sure that the same coloured wire is attached to the same terminal on the additional Doorphone.

**DISTANCE:** The recommended distance between the Doorphone and the outdoor camera is approximately 50ft/15m as per the supplied cable. It is possible to use a longer cable, however environmental conditions and the quality of the cable used can affect operation and the maximum reliable distance you can achieve.

**CONNECTION:** To ensure everything works correctly, we advise you connect the Doorphone and outdoor camera together before installation to check you understand the wiring and that everything works as it should.

## Caution

- Keep the Doorphone device away from water or moisture and dusty areas. Avoid environments where the Doorphone will be exposed to direct sunlight.
- Keep the Doorphone device away from devices with strong magnetic fields such as televisions.
- Do not drop the Doorphone as it may cause damage and may void the warranty.
- Do not use solvents or detergents to clean the Doorphone. To clean, lightly moisten a cloth with water and wipe down the device.
- Do not disassemble the unit for any reason. If the unit fails, please refer to the back page for contact details.



**WARNING:** When fitting the screws into the wall, make sure you are not inserting those anywhere near electrical wires, including wires that may be behind the wall. If you are unsure at all, please get a professional to check first and install the screws for you.

# Operation



**DOORBELL:** The visitor presses the call button to ring the doorbell. A video feed will appear on the Doorphone.



**TALK:** Touch and release the **TALK** button to talk to the visitor. Press the **TALK** button again to switch off the video feed.



**UNLOCK:** If the “electronic lock” option is fitted, press the **UNLOCK** button to unlock the door for the visitor, the door stays unlocked as long as the button is pressed.

**NOTE:** You will need an external door lock connected.



**MONITOR:** When in STANDBY mode, touch and release the **MONITOR** button to view a video feed from the camera. The video feed will switch off automatically after one minute or you can touch the **MONITOR** button again to switch off the video feed.

If it is too dark outside like at night, the image on the Doorphone will appear black and white.

# Troubleshooting

## No sound or hard to hear the visitor:

If you are finding it hard to hear the visitor, adjust the volume on the side of the Doorphone to make it louder. If this is not sufficient, ask the visitor to stand closer to the outdoor camera unit when speaking.

If the visitor is finding it hard to hear you, stand closer to the Doorphone unit when speaking.

If you are still having difficulties, check that everything is properly installed as per the Installation and Wiring instructions.

## The image is unclear or you cannot see the visitor:

Make sure there is nothing covering the lens on the outdoor camera.

If you are finding it hard to see your visitor, adjust the brightness or ask the visitor to stand closer to the outdoor camera. The outdoor camera is quite good at displaying people standing within a few meters of the device in darkness but if you are still having problems, you may need to install an additional light to illuminate the area.

Make sure the wiring is attached as shown in the wiring diagram in this manual.

## The door is not unlocked when you press the door unlock button:

Make sure the wiring to the door strike (door latch mechanism) is wired correctly and that the wires are properly attached.

**\*Note:** Please remove the protective plastic from the Doorphone before installation.

### DOORPHONE

Operating Power:

Resolution:

Display size:

Cut-off time:

Operating temperature:

External Dimensions:

DC 12V

320 x 240

3.5" LCD

1 minute (before unit enters standby from call/monitor)

-10°C ~ +40°C / -4°F ~ 122°F

160mm x 103mm x 22mm / 6.2" x 4.0" x .8"

### OUTDOOR CAMERA

Power supply:

Viewing angle:

Lighting source:

Night vision distance:

Operating temperature:

External dimension:

(supplied by Doorphone)

65° for the pinhole camera

Infrared LED

13ft / 4m

-20°C ~ +50°C / -4°F ~ 122°F

130mm x 51mm x 47mm / 5.11" x 2" x 1.85"



# Helpdesk / Technical Support Details

Swann Technical Support

All Countries E-mail: [tech@swannsecurity.com](mailto:tech@swannsecurity.com)

Telephone Helpdesk

USA toll free  
1-800-627-2799  
(Su, 2pm-10pm US PT)  
(M-Th, 6am-10pm US PT)  
(F 6am-2pm US PT)  
USA Exchange & Repairs  
1-800-627-2799 (Option 1)  
(M-F, 9am-5pm US PT)

AUSTRALIA toll free  
1300 138 324  
(M 9am-5pm AUS ET)  
(Tu-F 1am-5pm AUS ET)  
(Sa 1am-9am AUS ET)  
NEW ZEALAND toll free  
0800 479 266  
UK

0203 027 0979

See <http://www.worldtimeserver.com> for information on time zones and the current time in Melbourne, Australia compared to your local time.



## Warranty Information

Swann Communications USA Inc.  
12636 Clark Street  
Santa Fe Springs CA 90670  
USA

Swann Communications  
Unit 13, 331 Ingles Street,  
Port Melbourne Vic 3207

Swann Communications LTD.  
Stag Gates House  
63/64 The Avenue  
SO171XS  
United Kingdom

Swann Communications warrants this product against defects in workmanship and material for a period of one (1) year from its original purchase date. You must present your receipt as proof of date of purchase for warranty validation. Any unit which proves defective during the stated period will be repaired without charge for parts or labour or replaced at the sole discretion of Swann. The end user is responsible for all freight charges incurred to send the product to Swann's repair centres. The end user is responsible for all shipping costs incurred when shipping from and to any country other than the country of origin.

The warranty does not cover any incidental, accidental or consequential damages arising from the use of or the inability to use this product. Any costs associated with the fitting or removal of this product by a tradesman or other person or any other costs associated with its use are the responsibility of the end user. This warranty applies to the original purchaser of the product only and is not transferable to any third party. Unauthorized end user or third party modifications to any component or evidence of misuse or abuse of the device will render all warranties void.

By law some countries do not allow limitations on certain exclusions in this warranty. Where applicable by local laws, regulations and legal rights will take precedence.



© Swann Communications 2013

### FCC Verification

This equipment has been tested and found to comply with the limits for Class B digital device, pursuant to part 15 of the FCC Rules. These limits are designed to provide reasonable protection against harmful interference in a residential installation. This equipment generates, uses and can radiate radio frequency energy and, if not installed and used in accordance with the instructions, may cause harmful interference to radio or television reception, which can be determined by turning the equipment off and on, the user is encouraged to try to correct the interference by one or more of the following measures:

Reorient or relocate the receiving antenna

Increase the separation between the equipment and the receiver

- Connect the equipment into an outlet on a circuit different from that to which the receiver is connected
- Consult the dealer or an experienced radio/TV technician for help

**WARNING:** Modifications not approved by the party responsible for compliance could void user's authority to operate the equipment.