

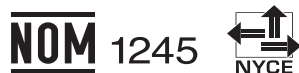
SHARP®

LC-70LE661U LC-60LE661U

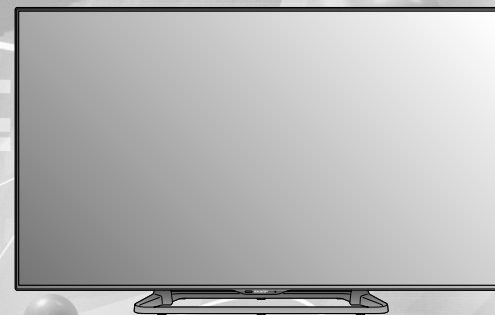
AQUOS

LIQUID CRYSTAL TELEVISION
TÉLÉVISEUR À CRISTAUX
LIQUIDES
TELEVISOR DE CRISTAL LÍQUIDO

Setup Guide
Guide de Setup
Guía de Configuración



- IMPORTANT** : Please read this setup guide and built-in operation manual before starting operating the equipment.
- IMPORTANT** : Veuillez lire ce guide de setup et le mode d'emploi intégré avant de commencer à travailler sur l'équipement.
- IMPORTANTE** : Lea detenidamente esta guía de configuración y manual de instrucciones integrado antes de comenzar a usar el equipo.



TINS-G401WJZZ



ENGLISH

FRANÇAIS

ESPAÑOL

IMPORTANT INFORMATION

IMPORTANT:

To aid reporting in case of loss or theft, please record the TV's model and serial numbers in the space provided. The numbers are located at the rear and left side of the TV.

Model No.:

Serial No.:

WARNING: TO REDUCE THE RISK OF FIRE OR ELECTRIC SHOCK, DO NOT EXPOSE THIS PRODUCT TO RAIN OR MOISTURE.

DECLARATION OF CONFORMITY:

SHARP LIQUID CRYSTAL TELEVISION, MODEL LC-70LE661U/LC-60LE661U

This device complies with Part 15 of the FCC Rules. Operation is subject to the following two conditions:

(1) This device may not cause harmful interference, and (2) this device must accept any interference received, including interference that may cause undesired operation.

RESPONSIBLE PARTY:


SHARP ELECTRONICS CORPORATION
 1 Sharp Plaza, Suite 1, Mahwah, New Jersey 07495-1123
 TEL: 1-800-BE-SHARP

For Business Customers: URL <http://www.sharppusa.com>

INFORMATION:


This equipment has been tested and found to comply with the limits for a Class B digital device, pursuant to Part 15 of the FCC Rules. These limits are designed to provide reasonable protection against harmful interference in a residential installation. This equipment generates, uses and can radiate radio frequency energy and, if not installed and used in accordance with the instructions, may cause harmful interference to radio communications. However, there is no guarantee that interference will not occur in a particular installation. If this equipment does cause harmful interference to radio or television reception, which can be determined by turning the equipment off and on, the user is encouraged to try to correct the interference by one or more of the following measures:


- Reorient or relocate the receiving antenna.
- Increase the separation between the equipment and receiver.
- Connect the equipment into an outlet on a circuit different from that to which the receiver is connected.
- Consult the dealer or an experienced radio/TV technician for help.




CAUTION

RISK OF ELECTRIC SHOCK
DO NOT OPEN





The lightning flash with arrow-head symbol, within an equilateral triangle, is intended to alert the user to the presence of uninsulated "dangerous voltage" within the product's enclosure that may be of sufficient magnitude to constitute a risk of electric shock to persons.



The exclamation point within a triangle is intended to alert the user to the presence of important operating and maintenance (servicing) instructions in the literature accompanying the product.

CAUTION: TO REDUCE THE RISK OF ELECTRIC SHOCK, DO NOT REMOVE COVER (OR BACK). NO USER-SERVICEABLE PARTS INSIDE. REFER SERVICING TO QUALIFIED SERVICE PERSONNEL.

CAUTION: TO PREVENT ELECTRIC SHOCK, MATCH WIDE BLADE OF PLUG TO WIDE SLOT, FULLY INSERT.

WARNING: FCC Regulations state that any unauthorized changes or modifications to this equipment not expressly approved by the manufacturer could void the user's authority to operate this equipment.

CAUTION: This product satisfies FCC regulations when shielded cables and connectors are used to connect the unit to other equipment. To prevent electromagnetic interference with electric appliances such as radios and televisions, use shielded cables and connectors for connections.

IMPORTANT INFORMATION

FCC Compliance Statement

This device complies with part 15 of the FCC Rules. Operation is subject to the following two conditions: (1) This device may not cause harmful interference, and (2) this device must accept any interference received, including interference that may cause undesired operation.

Wireless Radio

For product available in the USA/Canada market, only channel 1–11 can be operated. Selection of other channels is not possible. This device is going to be operated in 2.412–2.462GHz frequency range.

Important: Any changes or modifications not expressly approved by the party responsible for compliance could void the user's authority to operate the equipment.

FCC Radiation Exposure Statement: This equipment complies with FCC radiation exposure limits set forth for an uncontrolled environment. This equipment should be installed and operated with minimum distance 20cm between the radiator & your body.

Industry Canada Statement

This Class B digital apparatus complies with CAN ICES-003(B)/NMB-3(B)

Wireless Radio

For product available in the USA/Canada market, only channel 1–11 can be operated. Selection of other channels is not possible.

The device could automatically discontinue transmission in case of absence of information to transmit, or operational failure.

Note that this is not intended to prohibit transmission of control or signaling information or the use of repetitive codes where required by the technology.

Important: Any changes or modifications not expressly approved by the party responsible for compliance could void the user's authority to operate the equipment.

IC Radiation Exposure Statement: This device complies with IC RSS-210 rules; Operation is subject to the following two conditions:

(1) This device may not cause harmful interference, and (2) this device must accept interference received, including interference that may cause undesired operation.

"Note to CATV system installer: This reminder is provided to call the CATV system installer's attention to Article 820 of the National Electrical Code that provides guidelines for proper grounding and, in particular, specifies that the cable ground shall be connected to the grounding system of the building, as close to the point of cable entry as practical."

This product qualifies for ENERGY STAR when "Home" is selected for "TV Location". Setting "TV Location" to "Home" allows the TV to achieve an energy-saving status for household use.

DEAR SHARP CUSTOMER

Thank you for your purchase of the Sharp Liquid Crystal Television. To ensure safety and many years of trouble-free operation of your product, please read the Important Safety Instructions carefully before using this product.

IMPORTANT SAFETY INSTRUCTIONS

Electricity is used to perform many useful functions, but it can also cause personal injuries and property damage if improperly handled. This product has been engineered and manufactured with the highest priority on safety. However, improper use can result in electric shock and/or fire. In order to prevent potential danger, please observe the following instructions when installing, operating and cleaning the product. To ensure your safety and prolong the service life of your Liquid Crystal Television, please read the following precautions carefully before using the product.

- 1) Read these instructions.
- 2) Keep these instructions.
- 3) Heed all warnings.
- 4) Follow all instructions.
- 5) Do not use this apparatus near water.
- 6) Clean only with dry cloth.
- 7) Do not block any ventilation openings. Install in accordance with the manufacturer's instructions.
- 8) Do not install near any heat sources such as radiators, heat registers, stoves, or other apparatus (including amplifiers) that produce heat.
- 9) Do not defeat the safety purpose of the polarized or grounding-type plug. A polarized plug has two blades with one wider than the other. A grounding type plug has two blades and a third grounding prong. The wide blade or the third prong are provided for your safety. If the provided plug does not fit into your outlet, consult an electrician for replacement of the obsolete outlet.
- 10) Protect the power cord from being walked on or pinched particularly at plugs, convenience receptacles, and the point where they exit from the apparatus.
- 11) Only use attachments/accessories specified by the manufacturer.
- 12) Use only with the cart, stand, tripod, bracket, or table specified by the manufacturer, or sold with the apparatus. When a cart is used, use caution when moving the cart/apparatus combination to avoid injury from tip-over.
- 13) Unplug this apparatus during lightning storms or when unused for long periods of time.
- 14) Refer all servicing to qualified service personnel. Servicing is required when the apparatus has been damaged in any way, such as power-supply cord or plug is damaged, liquid has been spilled or objects have fallen into the apparatus, the apparatus has been exposed to rain or moisture, does not operate normally, or has been dropped.



Additional Safety Information

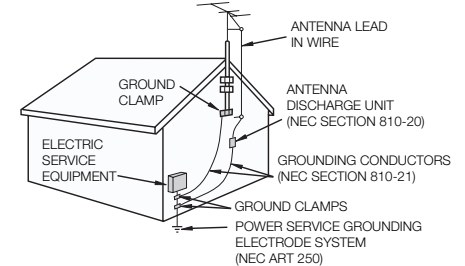
- 15) Power Sources—This product should be operated only from the type of power source indicated on the marking label. If you are not sure of the type of power supply to your home, consult your product dealer or local power company. For products intended to operate from battery power, or other sources, refer to the operating instructions.
- 16) Overloading—Do not overload wall outlets, extension cords, or integral convenience receptacles as this can result in a risk of fire or electric shock.
- 17) Object and Liquid Entry—Never push objects of any kind into this product through openings as they may touch dangerous voltage points or short-out parts that could result in a fire or electric shock. Never spill liquid of any kind on the product.
- 18) Damage Requiring Service—Unplug this product from the wall outlet and refer servicing to qualified service personnel under the following conditions:
 - a) When the AC cord or plug is damaged,
 - b) If liquid has been spilled, or objects have fallen into the product,
 - c) If the product has been exposed to rain or water,
 - d) If the product does not operate normally by following the operating instructions.Adjust only those controls that are covered by the operating instructions as an improper adjustment of other controls may result in damage and will often require extensive work by a qualified technician to restore the product to its normal operation,
 - e) If the product has been dropped or damaged in any way, and

IMPORTANT SAFETY INSTRUCTIONS

- f) When the product exhibits a distinct change in performance - this indicates a need for service.
- 19) Replacement Parts—When replacement parts are required, be sure the service technician has used replacement parts specified by the manufacturer or have the same characteristics as the original part. Unauthorized substitutions may result in fire, electric shock, or other hazards.
- 20) Safety Check—Upon completion of any service or repairs to this product, ask the service technician to perform safety checks to determine that the product is in proper operating condition.
- 21) Wall or ceiling mounting—When mounting the product on a wall or ceiling, be sure to install the product according to the method recommended by the manufacturer.

- Outdoor Antenna Grounding — If an outside antenna is connected to the television equipment, be sure the antenna system is grounded so as to provide some protection against voltage surges and built-up static charges. Article 810 of the National Electrical Code, ANSI/NFPA 70, provides information with regard to proper grounding of the mast and supporting structure, grounding of the lead-in wire to an antenna discharge unit, size of grounding conductors, location of antenna-discharge unit, connection to grounding electrodes, and requirements for the grounding electrode.

EXAMPLE OF ANTENNA GROUNDING AS PER NATIONAL ELECTRICAL CODE, ANSI/NFPA 70



NEC — NATIONAL ELECTRICAL CODE

- Water and Moisture — Do not use this product near water - for example, near a bath tub, wash bowl, kitchen sink, or laundry tub; in a wet basement; or near a swimming pool; and the like.
- Stand — Do not place the product on an unstable cart, stand, tripod or table. Placing the product on an unstable base can cause the product to fall, resulting in serious personal injuries as well as damage to the product. Use only a cart, stand, tripod, bracket or table recommended by the manufacturer or sold with the product. When mounting the product on a wall, be sure to follow the manufacturer's instructions. Use only the mounting hardware recommended by the manufacturer.
- Selecting the location — Select a place with no direct sunlight and good ventilation.
- Ventilation — The vents and other openings in the cabinet are designed for ventilation. Do not cover or block these vents and openings since insufficient ventilation can cause overheating and/or shorten the life of the product. Do not place the product on a bed, sofa, rug or other similar surface, since they can block ventilation openings. This product is not designed for built-in installation; do not place the product in an enclosed place such as a bookcase or rack, unless proper ventilation is provided or the manufacturer's instructions are followed.
- The front panel used in this product is made of glass. Therefore, it can break when the product is dropped or applied with impact. Be careful not to be injured by broken glass pieces in case the panel breaks.
- Heat — The product should be situated away from heat sources such as radiators, heat registers, stoves, or other products (including amplifiers) that produce heat.
- The Liquid Crystal panel is a very high technology product with 2,073,600 pixels, giving you fine picture details. Occasionally, a few non-active pixels may appear on the screen as a fixed point of blue, green or red. Please note that this does not affect the performance of your product.
- Lightning — For added protection for this television equipment during a lightning storm, or when it is left unattended and unused for long periods of time, unplug it from the wall outlet and disconnect the antenna. This will prevent damage to the equipment due to lightning and power-line surges.
- Power Lines — An outside antenna system should not be located in the vicinity of overhead power lines or other electric light or power circuits, or where it can fall into such power lines or circuits. When installing an outside antenna system, extreme care should be taken to keep from touching such power lines or circuits as contact with them might be fatal.
- To prevent fire, never place any type of candle or flames on the top or near the TV set.
- To prevent fire or shock hazard, do not place the AC cord under the TV set or other heavy items.

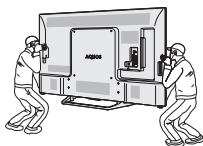
IMPORTANT SAFETY INSTRUCTIONS

- Do not display a still picture for a long time, as this could cause an afterimage to remain.
- To prevent fire or shock hazard, do not expose this product to dripping or splashing. No objects filled with liquids, such as vases, should be placed on the product.
- Do not insert foreign objects into the product. Inserting objects in the air vents or other openings may result in fire or electric shock. Exercise special caution when using the product around children.



Precautions when transporting the TV

- When transporting the TV, never carry it by holding or otherwise putting pressure onto the display. Be sure to always carry the TV by two people holding it with two hands.



Caring for the cabinet

- Use a soft cloth (cotton, flannel, etc.) and gently wipe the surface of the cabinet.
 - Using a chemical cloth (wet/dry sheet type cloth, etc.) may deform the components of the main unit cabinet or cause cracking.
 - Wiping with a hard cloth or using strong force may scratch the surface of the cabinet.
 - If the cabinet is very dirty, wipe with a soft cloth (cotton, flannel, etc.) soaked in neutral detergent diluted with water and thoroughly wrung out, and then wipe with a soft dry cloth.
 - Avoid using benzene, thinner, and other solvents, as these may deform the cabinet and cause the paint to peel off.
 - Do not apply insecticides or other volatile liquids.
- Also, do not allow the cabinet to remain in contact with rubber or vinyl products for a long period of time. Plasticizers inside the plastic may cause the cabinet to deform and cause the paint to peel off.

Caring for the front panel

- Turn off the main power and unplug the AC cord from the wall outlet before handling.
- Gently wipe the surface of the front panel with a soft cloth (cotton, flannel, etc.). To protect the front panel, do not use a dirty cloth, liquid cleaners, or a chemical cloth (wet/dry sheet type cloth, etc.). This may damage the surface of the front panel.
- Wiping with a hard cloth or using strong force may scratch the surface of the front panel.
- Use a soft damp cloth to gently wipe the front panel when it is really dirty. (It may scratch the surface of the front panel when wiped strongly.)
- If the front panel is dusty, use an anti-static brush, which is commercially available, to clean it.
- To avoid scratching the frame or screen, please use a soft, lint free cloth for cleaning. Approved cleaning cloths are available directly from Sharp in single (00Z-LCD-CLOTH) or triple (00Z-LCD-CLOTH-3) packs. Call 1-877-PRO-ADV1 (1-877-776-2381) for ordering, or VISIT <http://www.sharppusa.com>.



CHILD SAFETY: PROPER TELEVISION PLACEMENT MATTERS



THE CONSUMER ELECTRONICS INDUSTRY CARES

- Manufacturers, retailers and the rest of the consumer electronics industry are committed to making home entertainment safe and enjoyable.
- As you enjoy your television, please note that all televisions – new and old- must be supported on proper stands or installed according to the manufacturer's recommendations. Televisions that are inappropriately situated on dressers, bookcases, shelves, desks, speakers, chests, carts, etc., may fall over, resulting in injury.

TUNE IN TO SAFETY

- **ALWAYS** follow the manufacturer's recommendations for the safe installation of your television.
- **ALWAYS** read and follow all instructions for proper use of your television.
- **NEVER** allow children to climb on or play on the television or the furniture on which the television is placed.
- **NEVER** place the television on furniture that can easily be used as steps, such as a chest of drawers.
- **ALWAYS** install the television where it cannot be pushed, pulled over or knocked down.
- **ALWAYS** route cords and cables connected to the television so that they cannot be tripped over, pulled or grabbed.

WALL OR CEILING MOUNT YOUR TELEVISION

- **ALWAYS** contact your retailer about professional installation if you have any doubts about your ability to safely mount your television.
- **ALWAYS** use a mount that has been recommended by the television manufacturer and has a safety certification by an independent laboratory (such as UL, CSA, ETL).
- **ALWAYS** follow all instructions supplied by the television and mount manufacturers.
- **ALWAYS** make sure that the wall or ceiling where you are mounting the television is appropriate. Some mounts are not designed to be mounted to walls and ceilings with steel studs or cinder block construction. If you are unsure, contact a professional installer.
- Televisions can be heavy. A minimum of two people is required for a wall or ceiling mount installation.

MOVING AN OLDER TELEVISION TO A NEW PLACE IN YOUR HOME

- Many new television buyers move their older CRT televisions into a secondary room after the purchase of a flat-panel television. Special care should be made in the placement of older CRT televisions.
- **ALWAYS** place your older CRT television on furniture that is sturdy and appropriate for its size and weight.
- **NEVER** place your older CRT television on a dresser where children may be tempted to use the drawers to climb.
- **ALWAYS** make sure your older CRT television does not hang over the edge of your furniture.

CE.org/safety



IMPORTANT SAFETY INSTRUCTIONS

Wireless LAN

This TV has received the following certifications.

- Wi-Fi CERTIFIED™ (certification program from the Wi-Fi Alliance®)
- Wi-Fi Protected Setup™ (certification program from the Wi-Fi Alliance®)

FCC

This device complies with part 15 of the FCC Rules. Operation is subject to the following two conditions:

(1) This device may not cause harmful interference, and (2) this device must accept any interference received, including interference that may cause undesired operation. Changes or modifications not expressly approved by the party responsible for compliance could void the user's authority to operate the equipment. To comply with the FCC RF exposure compliance requirements, this device and its antenna must not be co-located or operated in conjunction with any other antenna or transmitter.

IFETEL

This equipment operates on a secondary basis and, consequently, must accept harmful interference, including from station of the same kind, and may not cause harmful interference to systems operating on a primary basis.

CONTAINS TRANSMITTER MODULE IFETEL ID: RCP SHWN14-1198

Brand: SHARP

Model: WN4616L

INFORMATIONS IMPORTANTES

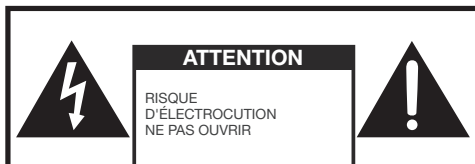
IMPORTANT :

Pour faciliter la déclaration de perte ou de vol, veuillez noter les numéros de modèle et de série dans l'espace prévu à cet effet. Identifiez les numéros sur le côté du téléviseur où se trouve le panneau de commande.

N° de modèle :

N° de série:

AVERTISSEMENT: POUR RÉDUIRE LES RISQUES D'INCENDIE OU D'ÉLECTROCUTION, N'EXPOSEZ PAS CET APPAREIL À LA PLUIE OU À L'HUMIDITÉ.



Ce symbole (éclair dans un triangle équilatéral) avertit l'utilisateur de la présence dans le boîtier de l'appareil d'une « tension dangereuse » non isolée suffisamment élevée pour causer une électrocution aux personnes.

ATTENTION: AFIN DE RÉDUIRE LE RISQUE D'ÉLECTROCUTION, NE PAS RETIRER LE COUVERCLE (OU PANNEAU ARRIÈRE). PAS DE PIÈCES RÉPARABLES PAR L'UTILISATEUR À L'INTÉRIEUR. CONFIER TOUTE PROCÉDURE D'ENTRETIEN À UN PERSONNEL D'ENTRETIEN QUALIFIÉ.



Ce symbole (point d'exclamation dans un triangle équilatéral) avertit l'utilisateur de la présence d'instructions d'utilisation et d'entretien (dépannage) importantes dans la documentation accompagnant l'appareil.

ATTENTION: POUR NE PAS RISQUER UNE ÉLECTROCUTION, PRÉSENTEZ LA FICHE AVEC SA LAMÉ LA PLUS LARGE FACE À LA FENTE CORRESPONDANTE DE LA PRISE ET ENFONCEZ-LA À FOND.

AVERTISSEMENT: Les règles de la FCC stipulent que tout changement ou modification apporté(e) à cet appareil sans l'autorisation expresse du fabricant peut entraîner la révocation du droit de l'utilisateur d'utiliser cet appareil.

ATTENTION:

Cet appareil est conforme aux règlements FCC lorsque des câbles et connecteurs blindés sont utilisés pour le brancher sur un autre appareil. Pour éviter les interférences électromagnétiques avec les appareils électriques comme les radios et les téléviseurs, utilisez des câbles et connecteurs blindés pour les connexions.

DÉCLARATION DE CONFORMITÉ:

TÉLÉVISION À ÉCRAN À CRISTAUX LIQUIDES SHARP, MODÈLE LC-70LE661U/LC-60LE661U
Cet appareil est conforme à la partie 15 des règlements FCC. Son fonctionnement est soumis aux deux conditions suivantes : (1) l'appareil ne provoquera pas d'interférences nuisibles, et (2) il doit accepter les interférences reçues, y compris celles pouvant provoquer un fonctionnement indésirable.

PARTIE RESPONSABLE :

SHARP ELECTRONICS CORPORATION

1 Sharp Plaza, Suite 1, Mahwah, New Jersey 07495-1123

TEL: 1-800-BE-SHARP

Pour la clientèle commerciale : URL <http://www.sharppusa.com>

INFORMATION:

Cet appareil a été testé et trouvé conforme aux limites des appareils numériques de classe B, conformément à l'article 15 du règlement FCC. Ces limites sont conçues pour offrir une protection raisonnable contre les interférences nuisibles dans une installation résidentielle. Cet appareil génère, utilise et peut émettre de l'énergie de radiofréquence et, s'il n'est pas installé et utilisé conformément aux instructions, peut provoquer des interférences nuisibles aux communications radio. Cependant, il n'y a aucune garantie que de telles interférences ne se produisent pas pour une installation particulière. Si cet appareil provoque des interférences nuisibles à la réception radio ou télévisée, ce qui peut être déterminé en mettant l'appareil hors et sous tension, vous êtes encouragé à essayer de corriger ces interférences à l'aide de l'une ou de plusieurs des mesures suivantes :

- Réorientez ou déplacez l'antenne réceptrice.
- Augmentez l'espace entre l'appareil et le récepteur.
- Connectez l'appareil sur une prise secteur appartenant à un circuit différent de celui sur lequel le récepteur est connecté.
- Consultez votre revendeur ou un technicien radio/télévisé.

INFORMATIONS IMPORTANTES

Déclaration de conformité de la FCC

Cet appareil est conforme à la partie 15 des règlements FCC. Son fonctionnement est soumis aux deux conditions suivantes : (1) l'appareil ne provoquera pas d'interférences nuisibles, et (2) il doit accepter les interférences reçues, y compris celles pouvant provoquer un fonctionnement indésirable.

Radio sans fil

Pour le produit disponible sur le marché des États-Unis/du Canada, seuls les canaux 1 à 11 peuvent être utilisés. La sélection d'autres canaux est impossible.

Cet appareil étant utilisé dans la plage de fréquences de 2,412 à 2,462 GHz.

Important : Tout changement ou modification non expressément homologué par la partie responsable de la conformité peut annuler le droit de l'utilisateur à utiliser l'équipement.

Déclaration d'exposition aux rayonnements de la FCC : Cet appareil est conforme aux limites d'exposition aux rayonnements définies pour un environnement non contrôlé. Cet équipement doit être installé et utilisé à une distance minimale de 20 cm entre l'élément rayonnant et votre corps.

Déclaration d'Industrie Canada

Cet appareil numérique de la classe B est conforme à la norme CAN ICES-003(B)/NMB-3(B)

Radio sans fil

Pour le produit disponible sur le marché des États-Unis/du Canada, seuls les canaux 1 à 11 peuvent être utilisés. La sélection d'autres canaux est impossible.

Cet appareil pourrait interrompre automatiquement une émission en cas d'absence d'informations à émettre ou de dysfonctionnement.

Veuillez noter qu'il n'est pas destiné à interdire des émissions de commande ou des informations de signalisation ni l'utilisation de codes répétitifs s'ils s'avèrent requis par la technologie.

Important : Tout changement ou modification non expressément homologué par la partie responsable de la conformité peut annuler le droit de l'utilisateur à utiliser l'équipement.

Déclaration d'exposition aux rayonnements d'IC : Cet appareil est conforme aux règlements CNR-210 de l'IC. Son fonctionnement est soumis aux deux conditions suivantes :

(1) l'appareil ne provoquera pas d'interférences nuisibles, et (2) il doit accepter les interférences reçues, y compris celles pouvant provoquer un fonctionnement non désiré.

« Note à l'intention de l'installateur de télévision par câble : Nous attirons l'attention de l'installateur de télévision par câble sur l'article 820 du Code National de l'Électricité qui fournit des directives pour l'exécution correcte de la mise à la terre et spécifie notamment que la terre du câble doit être reliée au réseau de mise à la terre du bâtiment, le plus près possible du point d'entrée du câble. »

Ce produit est conforme à ENERGY STAR lorsque vous sélectionnez « Maison » pour « Emplacement TV ». Régler « Emplacement TV » sur « Maison » permet de mettre le téléviseur dans un état d'économie d'énergie pour une utilisation domestique.

CHER CLIENT SHARP

Nous vous remercions pour votre achat de ce téléviseur à cristaux liquides Sharp. Pour en assurer la sécurité et le bon fonctionnement pendant de longues années, veuillez lire attentivement les consignes de sécurité importantes avant toute utilisation.

CONSIGNES DE SÉCURITÉ IMPORTANTES

L'électricité remplit de nombreuses fonctions utiles, mais si on l'utilise mal, elle peut occasionner des blessures et des dégâts matériels. Bien que la conception et la fabrication de ce produit aient été axées sur la sécurité, une mauvaise utilisation de l'appareil peut faire courir un risque d'électrocution et/ou d'incendie. Pour ne pas vous exposer à de tels dangers, respectez les consignes suivantes lorsque vous installez, utilisez ou nettoyez le téléviseur. Par mesure de sécurité et pour prolonger la durée de service de votre téléviseur à cristaux liquides, veuillez lire les précautions suivantes avant de l'utiliser :

- 1) Lisez ces instructions.
- 2) Conservez ces instructions.
- 3) Respectez les mises en garde.
- 4) Suivez toutes les instructions.
- 5) N'utilisez pas cet appareil à proximité de l'eau.
- 6) Nettoyez uniquement avec un chiffon sec.
- 7) Ne bloquez pas les ouvertures de ventilation. Installez l'appareil en respectant les instructions du fabricant.
- 8) N'installez pas l'appareil à proximité de sources de chaleur comme des radiateurs, des chauffages, des cuisinières ou d'autres appareils (y compris les amplificateurs) produisant de la chaleur.
- 9) Ne passez pas outre la caractéristique de sécurité de la fiche polarisée ou avec mise à la terre. Une fiche polarisée comprend deux lames dont une plus large que l'autre. Une fiche avec mise à la terre comprend deux lames et une troisième broche de terre. La lame la plus large ou la troisième broche est une mesure de sécurité. Si la fiche fournie ne rentre pas dans votre prise secteur, consultez un électricien pour remplacer la prise obsolète.
- 10) Assurez-vous que le cordon secteur ne puisse être piétiné ou pincé tout particulièrement au niveau des fiches, des prises de courant et aux points où il sort de l'appareil.
- 11) N'utilisez que des accessoires/fixations recommandés par le fabricant.
- 12) Placez l'appareil uniquement sur un chariot, un socle, un trépied, un support ou une table recommandé par le fabricant ou vendu avec l'appareil. Si vous utilisez un chariot, manœuvrez avec précaution l'ensemble chariot/appareil afin d'empêcher toute blessure suite à un renversement.
- 13) Débranchez cet appareil pendant un orage ou lorsqu'il doit rester longtemps inutilisé.
- 14) Faites appel à un technicien qualifié pour tout dépannage. Un dépannage est requis lorsque l'appareil a été endommagé d'une façon ou d'une autre, comme lorsque le cordon secteur ou la fiche est endommagé, du liquide a été renversé sur l'appareil ou des objets sont tombés dans l'appareil, l'appareil a été exposé à la pluie ou à l'humidité, l'appareil ne fonctionne pas normalement ou l'appareil est tombé.



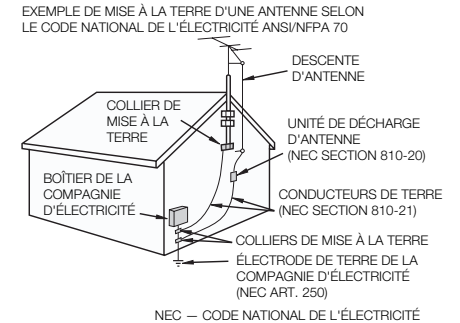
Informations de sécurité supplémentaires

- 15) Alimentation électrique — Cet appareil ne doit être utilisé qu'avec l'alimentation spécifiée sur l'étiquette signalétique. En cas de doute sur le type de courant de votre domicile, consultez votre revendeur ou la compagnie d'électricité locale. Pour les appareils fonctionnant sur batteries ou sur tout autre type d'alimentation, consultez le mode d'emploi.
- 16) Surcharge électrique — Ne dépassez pas la capacité électrique des prises murales, des rallonges ou des prises de courant intégrales, ceci risquant de provoquer un incendie ou une électrocution.
- 17) Pénétration d'objets et de liquides — N'introduisez jamais d'objets par les orifices de cet appareil. Ils pourraient toucher des points sous tension et court-circuiter des pièces et provoquer ainsi un incendie ou une électrocution. Veillez également à ne jamais renverser de liquide dans l'appareil.
- 18) Dommages nécessitant une réparation — Dans les situations ci-dessous, débranchez l'appareil de la prise murale et faites appel à un technicien qualifié pour les réparations :
 - a) si le cordon secteur ou la fiche est endommagée ;
 - b) si du liquide a été renversé sur l'appareil ou si des objets sont tombés à l'intérieur ;
 - c) si l'appareil a été exposé à la pluie ou à l'eau ;
 - d) si l'appareil ne fonctionne pas normalement en suivant le mode d'emploi.Ne touchez qu'aux commandes indiquées dans le mode d'emploi. Un réglage incorrect d'autres commandes peut causer des dommages qui demanderont par la suite un travail intensif à un technicien qualifié.

CONSIGNES DE SÉCURITÉ IMPORTANTES

- e) si l'appareil est tombé ou a été endommagé ;
 - f) si l'appareil présente des changements visibles de performances – Ceci indique la nécessité d'une inspection d'entretien.
- 19) Pièces de rechange — Si des pièces sont à remplacer, assurez-vous que le technicien utilise bien les pièces de rechange prescrites par le fabricant ou ayant les mêmes caractéristiques que les pièces d'origine. L'utilisation de pièces non autorisées peut occasionner un incendie, une électrocution et d'autres dangers.
 - 20) Vérification de sécurité — Après un travail d'entretien ou de réparation, demandez au technicien d'effectuer les vérifications de sécurité nécessaires pour s'assurer que l'appareil est en bon état de fonctionnement.
 - 21) Montage au plafond ou au mur — Si vous montez l'appareil au mur ou au plafond, observez la procédure d'installation recommandée par le fabricant.

- Mise à la terre de l'antenne extérieure — Si le téléviseur est raccordé à une antenne extérieure, assurez-vous que celle-ci est reliée à la terre afin de protéger le poste contre les sautes de tension et l'accumulation de charges électrostatiques. L'article 810 du Code national de l'électricité ANSI/NFPA 70 fournit des informations sur la mise à la terre correcte du mât d'antenne et de sa structure de support, la mise à la terre de la descente d'antenne à une unité de décharge d'antenne, le calibre des conducteurs, l'emplacement de l'unité de décharge d'antenne, le raccordement aux électrodes de terre et les conditions requises pour l'électrode de terre.



- Eau et humidité — N'utilisez pas l'appareil à proximité de l'eau, près d'une baignoire, d'un lavabo, d'un évier, d'une machine à laver, par exemple, ni dans un sous-sol humide ou à proximité d'une piscine.
- Support — Ne placez pas l'appareil sur un chariot, un support, un trépied ou une table instable. S'il est sur une base instable, l'appareil peut tomber et provoquer des blessures corporelles graves ou être endommagé. Utilisez uniquement un chariot, un support, un trépied ou une table recommandés par le fabricant ou vendus avec l'appareil. Pour monter l'appareil sur un mur, suivez les instructions du fabricant. N'utilisez que du matériel recommandé par ce dernier.
- Sélection de l'emplacement — Sélectionnez un emplacement bien aéré et éloigné de la lumière directe du soleil.
- Ventilation — Les événements et autres ouvertures du coffret sont destinés à la ventilation. Ne les recouvrez pas et ne les bloquez pas car une ventilation insuffisante risque de provoquer une surchauffe et/ou de réduire la durée de vie de l'appareil. Ne placez pas l'appareil sur un lit, un sofa, un tapis ou une autre surface similaire risquant de bloquer les ouvertures de ventilation. Ce produit n'est pas conçu pour être encastré ; ne le placez pas dans des endroits clos comme une bibliothèque ou une étagère, sauf si une ventilation adéquate est prévue ou si les instructions du fabricant sont respectées.
- Le panneau avant utilisé dans ce produit est en verre. Il peut donc se briser s'il tombe ou s'il subit un choc. Veillez à ne pas vous blesser avec des morceaux de verre si le panneau à cristaux liquides venait à se briser.
- Sources de chaleur — Éloignez l'appareil des sources de chaleur comme les radiateurs, les chauffages et les autres appareils produisant de la chaleur (y compris les amplificateurs).
- Le panneau à cristaux liquides est un appareil de très haute technologie avec 2 073 600 pixels qui vous offre une très grande finesse de détail. Un petit nombre de pixels non actifs peuvent occasionnellement apparaître à l'écran sous forme de point fixe bleu, vert ou rouge. Notez que cela n'affecte en rien les performances de l'appareil.
- Foudre — Pour mieux protéger ce téléviseur pendant un orage ou lorsqu'il doit rester longtemps sans surveillance et inutilisé, débranchez-le de la prise murale et déconnectez l'antenne. Ceci l'empêchera d'être endommagé par la foudre ou les surtensions de la ligne électrique.
- Lignes électriques — L'antenne extérieure ne doit pas se trouver à proximité de lignes électriques

CONSIGNES DE SÉCURITÉ IMPORTANTES

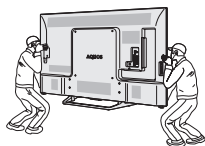
aériennes ou d'autres circuits d'éclairage ou de distribution électrique. Elle ne doit pas non plus être installée sur une position d'où elle pourrait tomber sur ces lignes ou circuits. Lors de l'installation d'une antenne extérieure, toutes les précautions doivent être prises pour ne pas toucher ces lignes ou circuits électriques. Tout contact avec eux pourrait être mortel.

- Ne placez pas de bougies ni de flammes nues sur le téléviseur ou à sa proximité, afin d'éviter les incendies.
- Afin d'empêcher tout incendie ou électrocution, ne placez pas le cordon secteur sous l'ensemble du téléviseur ou autres objets volumineux.
- N'affichez pas une image fixe pendant une période prolongée, sous peine de laisser un traînage à l'écran.
- Pour éviter les incendies ou les électrocutions, veillez à ne pas éclabousser ni faire tomber de l'eau sur cet appareil.
- Ne placez jamais d'objets remplis de liquide, comme des vases, sur l'appareil.
- N'introduisez pas d'objets étrangers dans le produit. L'introduction d'objets dans les événements ou dans d'autres ouvertures pourrait provoquer un incendie ou un choc électrique. Faites particulièrement attention lorsque vous utilisez le produit à proximité d'enfants.



Précautions lors du transport du téléviseur

- Lors du transport du téléviseur, ne le transportez jamais en le tenant ou en faisant pression sur l'écran. Veillez à toujours le transporter à deux personnes, en le tenant à deux mains.

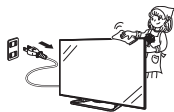


Entretien du coffret

- Utilisez un chiffon doux (en coton, en flanelle, etc.) et essuyez délicatement la surface du coffret.
 - L'utilisation d'un chiffon abrasif (chiffon sous forme de feuille humide/sec, etc.) peut déformer les composants du coffret ou provoquer des fissures.
 - Essuyer avec un chiffon rêche ou avec force risque de rayer la surface du coffret.
 - Si le coffret est très sale, essuyez avec un chiffon doux (en coton, en flanelle, etc.) humidifié à l'aide d'un détergent neutre dilué avec de l'eau et bien essoré, puis essuyez avec un chiffon sec.
 - Le coffret est essentiellement constitué de plastique. Évitez d'utiliser de la benzine, un diluant ou d'autres solvants, car ils pourraient déformer le coffret et provoquer l'écaillage de la peinture.
 - N'appliquez pas d'insecticides ni d'autres liquides volatiles.
- De même, ne laissez pas le coffret en contact avec du caoutchouc ou des appareils en vinyle pendant longtemps. Les plastifiants à l'intérieur du plastique peuvent provoquer des déformations du coffret et l'écaillage de la peinture.

Entretien du panneau avant

- Mettez l'alimentation principale hors tension et débranchez le cordon secteur de la prise murale avant la manipulation.
 - Essuyez délicatement la surface du panneau avant à l'aide d'un chiffon doux (en coton, en flanelle, etc.).
- Pour protéger le panneau avant, n'utilisez pas de chiffon sale, de nettoyants liquides ni chiffon imprégné de produit chimique (chiffon sous forme de feuille humide/sec, etc.). Ceci pourrait endommager la surface du panneau avant.
- Essuyer avec un chiffon rêche ou avec force risque de rayer la surface du panneau avant.
 - Utilisez un chiffon doux et mouillé pour essuyer délicatement le panneau avant s'il est vraiment sale. (Frotter fort risque de rayer la surface du panneau avant.)
 - Si le panneau avant est poussiéreux, utilisez une brosse antistatique en vente dans le commerce pour le nettoyer.
 - Pour éviter tout risque de rayer le cadre ou l'écran, veuillez utiliser un chiffon doux et non-pelucheux pour le nettoyage. Des chiffons de nettoyage approuvés sont disponibles directement auprès de Sharp, par paquet d'une (00Z-LCD-CLOTH) ou de trois (00Z-LCD-CLOTH-3) unités. APPELEZ le (905)568-7140 ou CONSULTEZ le site <http://www.sharp.ca> pour les commander.



LA SÉCURITÉ DES ENFANTS : L'IMPORTANCE D'UN EMPLACEMENT APPROPRIÉ POUR LE TÉLÉVISEUR



L'INDUSTRIE DE L'ÉLECTRONIQUE GRAND PUBLIC EST SOUCIEUSE DE VOTRE SÉCURITÉ

- Les fabricants, les détaillants et l'industrie de l'électronique grand public dans son ensemble sont déterminés à faire en sorte que le divertissement domestique soit sûr et plaisant.
- Alors que vous vous divertissez devant la télévision, n'oubliez pas que tous les téléviseurs, neufs comme anciens, doivent être : soit positionnés sur un socle approprié, soit installés selon les recommandations spécifiques du fabricant. Les téléviseurs placés de façon non appropriée sur des commodes, des bibliothèques, des étagères, des bureaux, des haut-parleurs, des armoires, des chaises, etc. peuvent tomber et entraîner des blessures.

RESTER À L'ÉCOUTE DE LA SÉCURITÉ

- Respectez **TOUJOURS** les recommandations du fabricant pour une installation sûre de votre téléviseur.
- Lisez et suivez **TOUJOURS** toutes les instructions données pour un bon usage de votre téléviseur.
- Ne permettez **JAMAIS** aux enfants de grimper ou de jouer sur le téléviseur ou le meuble sur lequel le téléviseur est placé.
- Ne placez **JAMAIS** le téléviseur sur un meuble pouvant facilement être utilisé comme marche-pied, telle qu'une commode par exemple.
- Installez **TOUJOURS** le téléviseur à un endroit où il ne peut pas être poussé, tiré ou renversé.
- Faites **TOUJOURS** passer les prises et câbles connectés au téléviseur à un endroit où ils ne pourront pas faire trébucher quelqu'un ou encore où ils ne pourront pas être tirés ou attrapés.



FIXATION DU TÉLÉVISEUR SUR LE MUR OU LE PLAFOND

- Contactez **TOUJOURS** votre revendeur pour une installation professionnelle au moindre doute quant à votre capacité à fixer le téléviseur de manière sûre.
- Utilisez **TOUJOURS** un support recommandé par le fabricant du téléviseur et dont la sécurité a été certifiée par un laboratoire indépendant (tel que UL, CSA, ETL).
- Suivez **TOUJOURS** toutes les instructions fournies par les fabricants du téléviseur et du support.
- Assurez-vous **TOUJOURS** que le mur ou le plafond sur lequel vous fixez le téléviseur est approprié. Certains supports ne sont pas conçus pour être fixés aux murs ou aux plafonds ayant une armature en acier ou construits avec des parpaings. En cas de doute, contactez un installateur professionnel.
- Les téléviseurs peuvent être lourds. Deux personnes minimum sont nécessaires pour la fixation au mur ou au plafond.



DÉPLACER UN ANCIEN TÉLÉVISEUR DANS VOTRE MAISON

- Nombreuses sont les personnes déplaçant leur ancien téléviseur CRT dans une autre pièce de la maison après l'achat d'un téléviseur à écran plat. Une attention particulière doit être portée au nouvel emplacement d'un ancien téléviseur CRT.
- Placez **TOUJOURS** votre ancien téléviseur CRT sur un meuble solide et adapté à la taille et au poids du téléviseur.
- Ne placez **JAMAIS** votre ancien téléviseur CRT sur une commode dont les enfants sont susceptibles d'utiliser les tiroirs pour grimper.
- Assurez-vous **TOUJOURS** que votre ancien téléviseur CRT ne dépasse pas le bord de votre meuble.



CONSIGNES DE SÉCURITÉ IMPORTANTES

LAN sans-fil

Ce téléviseur a reçu les certifications suivantes.

- Wi-Fi CERTIFIED™ (programme de certification de Wi-Fi Alliance®)
- Wi-Fi Protected Setup™ (programme de certification de Wi-Fi Alliance®)

FCC

Cet appareil est conforme à la partie 15 des règlements FCC. Son fonctionnement est soumis aux deux conditions suivantes:

(1) l'appareil ne provoquera pas d'interférences nuisibles, et (2) il doit accepter les interférences reçues, y compris celles pouvant provoquer un fonctionnement indésirable. Les changements ou modifications non expressément homologués par la partie responsable de la conformité peuvent annuler le droit de l'utilisateur à utiliser l'équipement. En vue de la conformité avec les exigences relatives à l'exposition aux FR de la FCC, cet appareil et l'antenne ne doivent pas se trouver au même endroit ni être utilisés conjointement avec une autre antenne ou un autre émetteur.

IFETEL

Cet équipement fonctionne à titre secondaire et, par conséquent, peut accepter des interférences nuisibles, par exemple d'une station de même type, et ne peut pas provoquer d'interférences nuisibles sur des systèmes fonctionnant à titre primaire.

CONTIENT UN MODULE D'ÉMISSION IFETEL ID: RCPSHWN14-1198

Marque: SHARP

Modèle: WN4616L

INFORMACIÓN IMPORTANTE


IMPORTANTE:

Para facilitar el reporte en caso de pérdida o robo, escriba por favor el modelo del TV y los números de serie en el espacio suministrado. Los números se encuentran en la parte posterior y el lado izquierdo del televisor.


Modelo N°:

Serie N°:

ADVERTENCIA: PARA REDUCIR EL RIESGO DE FUEGO O DESCARGA ELÉCTRICA, NO EXPONGA ESTE PRODUCTO A LA LLUVIA O HUMEDAD.



PRECAUCIÓN
RIESGO DE DESCARGA ELÉCTRICA
NO ABRIR




El símbolo del relámpago con la flecha, dentro de un triángulo equilátero, sirve para alertar al usuario de la presencia de "voltaje peligroso" en el interior del producto que puede ser de suficiente magnitud como para constituir riesgo de descarga eléctrica a las personas.

PRECAUCIÓN: PARA REDUCIR EL RIESGO DE DESCARGA ELÉCTRICA, NO RETIRE LA CUBIERTA (O LA PARTE TRASERA). NO HAY PARTES INTERNAS PARA SERVICIO POR PARTE DEL USUARIO. DEJE EL SERVICIO A PERSONAL DE SERVICIO CUALIFICADO.



El signo de exclamación dentro de un triángulo sirve para alertar al usuario de la presencia de importantes instrucciones en la operación y mantenimiento (servicio) en la literatura que acompaña el producto.

PRECAUCIÓN: PARA PREVENIR UNA DESCARGA ELÉCTRICA, HAGA COINCIDIR LA LÁMINA ANCHA DEL ENCHUFE CON LA RANURA ANCHA, E INSERTE COMPLETAMENTE.

ADVERTENCIA: Las regulaciones de la FCC señalan que cualquier cambio o modificación no autorizado en este equipo, los cuales no hayan sido expresamente aprobados por el fabricante, podría anular la autorización del usuario para utilizar este equipo.

PRECAUCIÓN:

Este producto satisface los reglamentos de la FCC cuando se utilizan conectores y cables blindados para conectar la unidad a otro equipo. Para impedir las interferencias electromagnéticas con aparatos eléctricos tales como radios y televisores, utilice conectores y cables blindados para hacer las conexiones.

DECLARACIÓN DE CONFORMIDAD:

TELEVISOR CON PANTALLA DE CRISTAL LÍQUIDO SHARP, MODELO LC-70LE661U/LC-60LE661U Este dispositivo cumple con el Apartado 15 de las Normas FCC. Su funcionamiento está sujeto a las dos condiciones siguientes: (1) Este dispositivo no deberá causar interferencias perjudiciales, y (2) deberá aceptar cualquier interferencia que reciba, incluyendo interferencias que puedan causar un funcionamiento no deseado.

PARTE RESPONSABLE:

SHARP ELECTRONICS CORPORATION
1 Sharp Plaza, Suite 1, Mahwah, New Jersey 07495-1123
TEL: 1-800-BE-SHARP

Para clientes de negocios: URL <http://www.sharpusa.com>

INFORMACIÓN:

Este equipo ha sido probado y ha demostrado cumplir con los límites establecidos para los aparatos digitales de la Clase B, de conformidad con el Apartado 15 de las Normas de la FCC. Estos límites han sido designados para proporcionar una protección razonable contra la interferencia perjudicial en una instalación residencial. Este equipo genera, utiliza y puede radiar energía radioeléctrica, y, si no se instala y utiliza de acuerdo con las instrucciones, puede causar una interferencia perjudicial en las comunicaciones por radio. Sin embargo, no hay ninguna garantía de que no se produzcan interferencias en una instalación particular. Si este equipo causa interferencias perjudiciales en las recepciones de radio o televisión, lo que puede determinarse fácilmente apagando y encendiendo el equipo, al usuario se le recomienda corregir la interferencia tomando una o más de las medidas siguientes:

- Cambie la orientación o el lugar de instalación de la antena receptora.
- Aumente la separación entre el equipo y el receptor.
- Conecte el equipo a una toma de corriente de un circuito diferente del aquel al que está conectado el receptor.
- Consulte al concesionario o técnico de radio/TV cualificado para solicitar su ayuda.

INFORMACIÓN IMPORTANTE

Declaración de conformidad con la FCC

Este dispositivo cumple con el Apartado 15 de las Normas FCC. Su funcionamiento está sujeto a las dos condiciones siguientes:

(1) Este dispositivo no deberá causar interferencias perjudiciales, y (2) deberá aceptar cualquier interferencia que reciba, incluyendo interferencias que puedan causar un funcionamiento no deseado.

Radio inalámbrica

En el producto disponible en el mercado de EE.UU./Canadá sólo se pueden utilizar los canales 1-11. No se pueden seleccionar otros canales.

Este dispositivo se va a utilizar en el rango de frecuencias de 2,412 GHz a 2,462 GHz.

Importante: Cualquier cambio o modificación no aprobado expresamente por la parte responsable de la conformidad podría anular la autorización del usuario para utilizar el equipo.

Declaración de exposición a las radiaciones de la FCC: Este equipo cumple con los límites de exposición a las radiaciones establecidos por la FCC para entornos no controlados. El equipo deberá instalarse y utilizarse con una distancia mínima de 20 cm entre el radiador y su cuerpo.

Declaración industrial de Canadá

Este aparato digital de clase B cumple con CAN ICES-003(B)/NMB-3(B)

Radio inalámbrica

En el producto disponible en el mercado de EE.UU./Canadá sólo se pueden utilizar los canales 1-11. No se pueden seleccionar otros canales.

El dispositivo podría interrumpir automáticamente la transmisión en caso de ausencia de información que transmitir o de fallo de funcionamiento.

Tenga en cuenta que el objetivo de esto no es prohibir la transmisión de información de control o de señalización ni el uso de códigos repetitivos cuando lo requiera la tecnología.

Importante: Cualquier cambio o modificación no aprobado expresamente por la parte responsable de la conformidad podría anular la autorización del usuario para utilizar el equipo.

Declaración de exposición a las radiaciones de IC: Este dispositivo cumple con las normas IC RSS-210; el funcionamiento está sujeto a las siguientes dos condiciones:

(1) Este dispositivo no deberá causar interferencias perjudiciales y (2) deberá aceptar las interferencias que reciba, incluyendo interferencias que puedan causar un funcionamiento no deseado.

“Nota al instalador del sistema de CATV: El instalador del sistema debe recordar el Artículo 820 del Código Nacional Eléctrico que contiene las guías de los conocimientos básicos y, en particular, especifica que el cable a tierra debe ser conectado al sistema de toma de tierra del edificio, lo más cerca posible al punto de entrada del cable como sea práctico.”

Este producto cumple los requisitos del programa ENERGY STAR cuando se selecciona “Casa” para “Ubicación TV”.

La configuración “Ubicación TV” en “Casa” permite que el televisor funcione en condiciones de ahorro energético para uso doméstico.

ESTIMADO CLIENTE DE SHARP

Gracias por haber adquirido este televisor SHARP con pantalla de cristal líquido. Para garantizar su seguridad y muchos años de uso sin problemas de su producto, por favor lea cuidadosamente las instrucciones de seguridad importantes antes de usar este producto.

INSTRUCCIONES DE SEGURIDAD IMPORTANTES

La electricidad se usa para realizar muchas funciones útiles, pero también puede causar lesiones en personas y daños en la propiedad si se utiliza incorrectamente. Este producto ha sido diseñado y fabricado con la más alta prioridad en la seguridad. Sin embargo, su uso incorrecto puede provocar descargas eléctricas y/o incendios. Para evitar peligros potenciales, por favor tenga muy en cuenta las instrucciones siguientes al instalar, operar y limpiar el producto. Para garantizar su seguridad y prolongar la duración de su televisor con pantalla de cristal líquido, lea cuidadosamente las precauciones siguientes antes de utilizarlo.

- 1) Lea estas instrucciones.
- 2) Guarde estas instrucciones.
- 3) Preste atención a todas las advertencias.
- 4) Siga todas las instrucciones.
- 5) No utilice este aparato cerca del agua.
- 6) Límpielo solamente con un paño seco.
- 7) No tape las aberturas de ventilación. Instale el aparato de acuerdo con las instrucciones del fabricante.
- 8) No instale el aparato cerca de ninguna fuente de calor como, por ejemplo, radiadores, salidas de aire caliente, estufas u otros aparatos (incluyendo amplificadores) que produzcan calor.
- 9) No anule la seguridad de la clavija polarizada ni la de la clavija con conexión a tierra. Una clavija polarizada tiene dos patillas, una más ancha que la otra. Una clavija con conexión a tierra tiene dos patillas y una espiga de conexión a tierra. La patilla ancha y la espiga se proporcionan para su seguridad. Si la clavija proporcionada no entra en su toma de corriente, consulte a un electricista para reemplazar la toma de corriente obsoleta.
- 10) Proteja el cable de alimentación para que nadie lo pise ni quede aplastado, especialmente en las clavijas, tomas de corriente y puntos por donde sale del aparato.
- 11) Utilice solamente los accesorios suministrados por el fabricante.
- 12) Utilice el aparato solamente con el carrito, soporte, trípode, ménsula o mesa especificado por el fabricante, o vendido con el propio aparato. Cuando utilice un carrito, tenga cuidado cuando mueva la combinación del carrito y el aparato para evitar que se caigan y se estropeen.
- 13) Desenchufe este aparato durante las tormentas eléctricas o cuando no lo utilice durante largos periodos de tiempo.
- 14) Solicite todos los trabajos de reparación al personal cualificado solamente. Las reparaciones serán necesarias cuando se haya dañado el aparato de cualquier forma: cuando se haya estropeado el cable o la clavija de alimentación, se hayan derramado líquidos o hayan caído objetos en el interior del aparato, cuando éste haya estado expuesto a la lluvia o a la humedad, cuando no funcione normalmente o cuando se haya caído.



Información de seguridad adicional

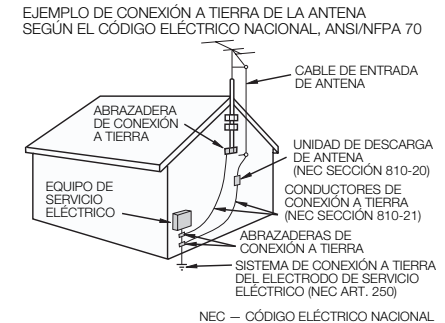
- 15) Fuentes de energía — Este producto deberá utilizarse solamente con el tipo de fuente de energía indicado en la etiqueta de especificaciones. Si no está seguro del tipo de suministro de energía de su casa, consulte a su distribuidor o a la compañía de electricidad de su localidad. Para los productos diseñados para funcionar con pilas u otra fuente de energía, consulte las instrucciones de operación.
- 16) Sobrecarga — No sobrecargue las tomas de corriente, los cables de prolongación o los receptáculos de conveniencia integrales porque se puede correr el riesgo de causar un incendio o recibir una descarga eléctrica.
- 17) Entrada de objetos y líquidos — No meta nunca objetos de ninguna clase en este producto a través de las aberturas porque pueden tocar puntos de alto voltaje peligrosos o cortocircuitar partes que podrían causar un incendio o una descarga eléctrica. No derrame nunca líquidos de ningún tipo sobre el producto.
- 18) Daños que necesitan ser reparados — Desenchufe este producto de la toma de corriente y solicite las reparaciones al personal de servicio cualificado cuando se den las condiciones siguientes:
 - a) Cuando el cable o la clavija de CA está dañado.
 - b) Si se ha derramado algún líquido o han caído objetos en el interior del producto.
 - c) Si el producto ha sido expuesto a la lluvia o al agua.

INSTRUCCIONES DE SEGURIDAD IMPORTANTES

- a) Si el producto no funciona normalmente siguiendo las instrucciones de operación. Ajuste solamente aquellos controles descritos en las instrucciones de operación, ya que un ajuste incorrecto de otros controles podrá causar daños que a menudo requieren un arduo trabajo de ajuste por parte de un técnico cualificado para que el producto pueda volver a funcionar normalmente.
- e) Si el producto se ha caído o dañado de cualquier forma.
- f) Cuando el producto muestra un cambio notable en su rendimiento, lo que indica que necesita ser reparado.

- 19) Piezas de repuesto — Cuando se necesiten piezas de repuesto, asegúrese de que el técnico de servicio utilice las piezas de repuesto especificadas por el fabricante u otras cuyas características sean similares a las de las piezas originales. El uso de piezas no autorizadas puede causar incendios, descargas eléctricas u otros peligros.
- 20) Verificación de seguridad — Una vez completado cualquier trabajo de mantenimiento o reparación en este producto, pida al técnico de servicio que realice verificaciones de seguridad para determinar si el producto está en condiciones de funcionamiento apropiadas.
- 21) Montaje en la pared o en el techo — Cuando monte el producto en la pared o en el techo, asegúrese de instalarlo de acuerdo con el método recomendado por el fabricante.

- Puesta a tierra de la antena exterior — Si se conecta una antena exterior al televisor, asegúrese de que el sistema de antena esté conectado a tierra para obtener cierta protección ante los aumentos de voltaje y la acumulación de cargas estáticas. El artículo 810 del Código Eléctrico Nacional, ANSI/NFPA 70, proporciona información relacionada con la conexión a tierra correcta del poste y la estructura de apoyo, la conexión a tierra del cable de entrada a una unidad de descarga de antena, el tamaño de los conductores de conexión a tierra, la ubicación de la unidad de descarga de antena, la conexión a los electrodos de conexión a tierra y los requerimientos para el electrodo de conexión a tierra.



- Agua y humedad — No utilice este producto cerca del agua como, - por ejemplo, una bañera, palangana, fregadero de cocina o lavadora; en un sótano húmedo; cerca de una piscina o un lugar similar.
- Soporte — No coloque el producto en un carrito, soporte, trípode o mesa inestable. La colocación del producto en una base inestable puede ser la causa de que el producto se caiga, lo que podrá causar lesiones graves a personas y también daños al producto. Utilice solamente un carrito, soporte, trípode, ménsula o mesa recomendado por el fabricante o vendido junto con el producto. Cuando coloque el producto en una pared, asegúrese de seguir las instrucciones del fabricante. Utilice solamente el hardware de montaje recomendado por el fabricante.
- Selección de la ubicación — Seleccione un lugar donde no dé directamente la luz del sol y haya buena ventilación.
- Ventilación — Los orificios de ventilación y otras aberturas de la caja han sido diseñados para ventilar el producto. No cubra ni bloquee estos orificios de ventilación y aberturas porque la falta de ventilación puede causar calentamiento y/o reducir la duración del producto. No coloque el producto en una cama, sofá, alfombra u otra superficie similar porque las aberturas de ventilación podrán quedar bloqueadas. Este producto no ha sido diseñado para ser empotrado; no lo coloque en un lugar cerrado como, por ejemplo, un mueble librería o estantería a menos que disponga de la ventilación apropiada o se sigan las instrucciones del fabricante.
- El panel frontal utilizado en este producto está hecho de cristal. Por lo tanto, podrá romperse si el producto se cae o recibe un impacto fuerte. En el caso de que se rompa la pantalla de cristal líquido, tenga cuidado para que no le hieran las piezas de cristal roto.
- Calor — El producto deberá colocarse alejado de las fuentes de calor como, por ejemplo, radiadores, salidas de aire caliente, estufas u otros productos (incluyendo amplificadores) que produzcan calor.
- La pantalla de cristal líquido es un producto de alta tecnología que tiene 2.073.600 píxeles, lo que le proporciona una imagen fina muy detallada. De vez en cuando puede que aparezcan algunos píxeles no activos en la pantalla a modo de puntos fijos de color azul, verde o rojo. Tenga en cuenta que esto no afecta para nada al funcionamiento de su producto.
- Tormentas eléctricas — Para una mayor protección del televisor durante una tormenta de rayos, y

INSTRUCCIONES DE SEGURIDAD IMPORTANTES

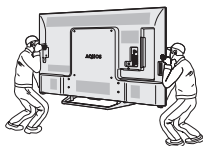
cuando se deja descuidado y sin usar durante largos periodos de tiempo, desenchúfelo de la toma de corriente de la pared y desconecte la antena. Esto evitará daños al televisor debidos a rayos y subidas de tensión.

- Cables de electricidad — No deberá ubicarse un sistema de antena exterior cercano a cables de electricidad que pasen por encima del mismo u otras luces eléctricas o circuitos de alimentación, o donde puede caer sobre tales cables de electricidad o circuitos. Cuando instale un sistema de antena exterior, deberá tomar un cuidado extremo para evitar tocar tales cables de electricidad o circuitos, pues el contacto con ellos podría resultar fatal.
- Para impedir un incendio, no ponga nunca ningún tipo de vela o llama al descubierto encima o cerca del televisor.
- Para impedir un incendio o una descarga eléctrica, no ponga el cable de CA debajo del televisor u otros objetos pesados.
- No muestre una imagen fija durante mucho tiempo porque esto podrá ser la causa de que quede una imagen residual en la pantalla.
- Para impedir un incendio o una descarga eléctrica, no exponga este aparato al goteo ni a las salpicaduras. Tampoco deberán ponerse encima del producto objetos llenos de líquidos como, por ejemplo, floreros.
- No introduzca ningún tipo de objeto en el producto. Introducir objetos por las aberturas de ventilación o por otras aberturas puede ser causa de incendio o de descarga eléctrica. Tome especiales precauciones al utilizar el producto con niños en las proximidades.



Precauciones al transportar el televisor

- Cuando transporte el televisor nunca lo lleve colgando ni ejerciendo presión sobre el visualizador. El televisor deberá ser transportado siempre por dos personas que lo tomarán con ambas manos.



Cuidado del gabinete

- Use un paño suave (algodón, franela, etc.) y limpie la superficie del gabinete.
- El uso de un paño químico (paño de tipo de hoja mojado/seco, etc.) puede deformar los componentes del gabinete o causar rajaduras.
- La limpieza con un paño duro o el uso enérgico de fuerza pueden rayar la superficie del gabinete.
- Si el gabinete está muy sucio, límpielo con un paño suave (algodón, franela, etc.) empapado en un detergente neutro diluido con agua y escurrido completamente y, luego, repase con un paño suave seco.
- Evite usar benceno, disolvente y otros solventes, ya que estos podrían deformar el gabinete y causar que la pintura se descascare.
- No aplique insecticidas u otros líquidos volátiles. Así mismo, no permita que el gabinete permanezca en contacto con productos de goma o vinilo durante un largo período de tiempo. Los plastificantes dentro del plástico pueden causar que el gabinete se deforme y hacer que la pintura se descascare.

Cuidado del panel frontal

- Apague la alimentación principal y desconecte el cable de CA de la toma de corriente antes de manipularla.
- Limpie la superficie del panel frontal delicadamente con un paño suave (algodón, franela, etc.).
Para proteger la superficie del panel frontal, no use un paño sucio, limpiadores líquidos o un paño químico (paño de tipo de hoja mojada/seca, etc.). Esto puede dañar la superficie del panel frontal.
- La limpieza con un paño duro o el uso enérgico de fuerza puede rayar la superficie del panel frontal.
- Use un paño húmedo suave para limpiar delicadamente el panel frontal cuando esté realmente sucio. (Se podría rayar la superficie del panel frontal si se limpia vigorosamente.)
- Si el panel frontal está empolvado, use un cepillo anti-estática, el cual está disponible comercialmente, para limpiarlo.



SEGURIDAD DE LOS NIÑOS:

ASUNTOS RELACIONADOS CON LA CORRECTA COLOCACIÓN DEL TELEVISOR



A LA INDUSTRIA DE LOS ARTÍCULOS ELECTRÓNICOS DE CONSUMO LE IMPORTA

- Los fabricantes, los minoristas y el resto de la industria de los artículos electrónicos de consumo han asumido el compromiso de lograr que el entretenimiento en el hogar sea seguro y se pueda disfrutar.
- Cuando disfrute de su televisor, tenga en cuenta que todos los televisores —ya sean nuevos o viejos— deben estar colocados sobre un soporte adecuado o instalados según las recomendaciones del fabricante. Los televisores que se colocan en forma inadecuada sobre tocadores, bibliotecas, estantes, escritorios, parlantes, cajoneras, carros, etc. pueden caer y provocar lesiones.



SINTONICE LA SEGURIDAD

- **SIEMPRE** siga las recomendaciones del fabricante para instalar el televisor de manera segura.
- **SIEMPRE** lea y siga todas las instrucciones para el uso adecuado del televisor.
- **NUNCA** permita que los niños trepen o jueguen sobre el televisor o sobre el mueble en el que se encuentra ubicado el televisor.
- **NUNCA** coloque el televisor sobre un mueble que se pueda usar fácilmente como escalera; por ejemplo, una cajonera.
- **SIEMPRE** instale el televisor donde no se pueda empujar, ni sea posible tirar de él o voltearlo.
- **SIEMPRE** acomode los cables conectados al televisor de manera tal que nadie pueda tropezar con ellos ni tirar de ellos.



INSTALACIÓN DEL TELEVISOR EN LA PARED O EN EL CIELO RASO

- **SIEMPRE** comuníquese con su vendedor para consultarle acerca de un instalador profesional si tiene dudas con respecto a su capacidad de instalar el televisor de manera segura.
- **SIEMPRE** utilice un soporte recomendado por el fabricante de televisores que tenga una certificación de seguridad de un laboratorio independiente (como UL, CSA, ETL).
- **SIEMPRE** siga todas las instrucciones proporcionadas por los fabricantes del televisor y del soporte.
- **SIEMPRE** asegúrese de que la pared o el cielo raso sobre el que instala el televisor sea adecuado. Ciertos soportes no están diseñados para ser instalados en paredes o cielo rasos con travesaños de acero o construcciones con bloques de cemento prefabricados. Si no está seguro al respecto, comuníquese con un instalador profesional.
- Los televisores pueden ser pesados. Se requieren como mínimo dos personas para instalar un televisor en la pared o el cielo raso.



CÓMO REUBICAR UN TELEVISOR VIEJO EN EL HOGAR

- Muchas personas llevan sus viejos televisores CRT a una habitación secundaria de la casa cuando compran un televisor de pantalla plana. Se debe prestar especial atención a la ubicación de los viejos televisores CRT.
- **SIEMPRE** coloque su viejo televisor CRT sobre un mueble resistente que resulte adecuado para su tamaño y su peso.
- **NUNCA** coloque su viejo televisor CRT sobre un tocador en el que los niños puedan usar los cajones para preparar.
- **SIEMPRE** asegúrese de que su viejo televisor CRT no sobresalga por los bordes del mueble.

CE.org/safety



INSTRUCCIONES DE SEGURIDAD IMPORTANTES

LAN inalámbrico

Este televisor ha recibido las siguientes certificaciones.

- Wi-Fi CERTIFIED™ (programa de certificación de la Wi-Fi Alliance®)
- Wi-Fi Protected Setup™ (programa de certificación de la Wi-Fi Alliance®)

FCC

Este dispositivo cumple con el Apartado 15 de las Normas FCC. Su funcionamiento está sujeto a las dos condiciones siguientes:

(1) Este dispositivo no deberá causar interferencias perjudiciales, y (2) deberá aceptar cualquier interferencia que reciba, incluyendo interferencias que puedan causar un funcionamiento no deseado. Cualquier cambio o modificación no aprobado expresamente por la parte responsable de la conformidad podría anular la autorización del usuario para utilizar el equipo. Para cumplir con los requisitos de exposición a radiofrecuencias de la FCC, este dispositivo y su antena no deben colocarse ni funcionar en conjunción con ninguna otra antena o transmisor.

IFETEL

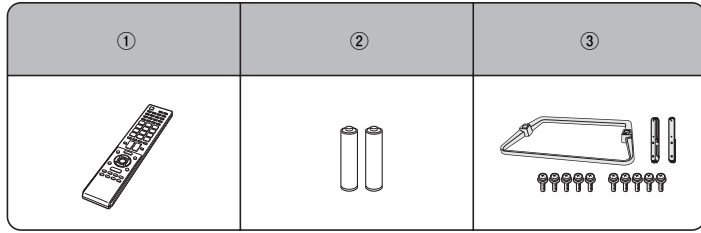
Este equipo opera a título secundario, consecuentemente, debe aceptar interferencias perjudiciales incluyendo equipos de la misma clase y puede no causar interferencias a sistemas operando a título primario.

CONTIENE MÓDULO TRANSMISOR IFETEL ID: RCPSHWN14-1198

Marca: SHARP

Modelo: WN4616L

Accessories/Accessoires/Accesorios



ENGLISH

Supplied Accessories

Make sure the following accessories are provided with the product.

NOTE

- Always use the AC cord supplied with the TV.
- The illustrations above are for explanation purposes and may vary slightly from the actual accessories.

- ① Remote control unit (x1)
- ② "AAA" size battery (x2)
- ③ Stand unit (x1)

- Setup Guide (this publication)

Optional Accessories

The listed optional accessories are available for the Liquid Crystal Television. Please purchase them at your nearest shop.

- Additional optional accessories may be available in the near future. When purchasing, please read the newest catalogue for compatibility and check the availability.

Part name	Model number
Wall mount bracket	AN-52AG4

FRANÇAIS

Accessoires fournis

Vérifiez si les accessoires suivants sont fournis avec l'appareil.

REMARQUE

- Utilisez toujours le cordon secteur fourni avec le téléviseur.
- Les illustrations de ce mode d'emploi sont présentées à titre explicatif et peuvent être légèrement différentes des accessoires réels.

- ① Télécommande (x1)
- ② Pile format « AAA » (x2)
- ③ Ensemble du socle (x1)

- Guide de Setup (ce document)

Accessoires en option

Les accessoires en option de la liste sont disponibles pour ce téléviseur à écran à cristaux liquides.

Vous les trouverez chez votre revendeur le plus proche.

- D'autres accessoires en option peuvent être disponibles dans un proche avenir. Lors de vos achats, lisez le catalogue le plus récent pour la compatibilité et vérifiez la disponibilité des accessoires.

Désignation	Numéro de modèle
Applique pour montage mural	AN-52AG4

ESPAÑOL

Accesorios suministrados

Asegúrese de que los siguientes accesorios hayan sido suministrados con el producto.

NOTA

- Utilice siempre el cable de CA suministrado con el televisor.
- Las ilustraciones anteriores son para propósitos de explicación y podrían variar levemente con respecto a los accesorios reales.

- ① Control remoto (x1)
- ② Pila tamaño "AAA" (x2)
- ③ Soporte (x1)

- Guía de Configuración (esta publicación)

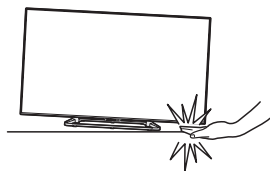
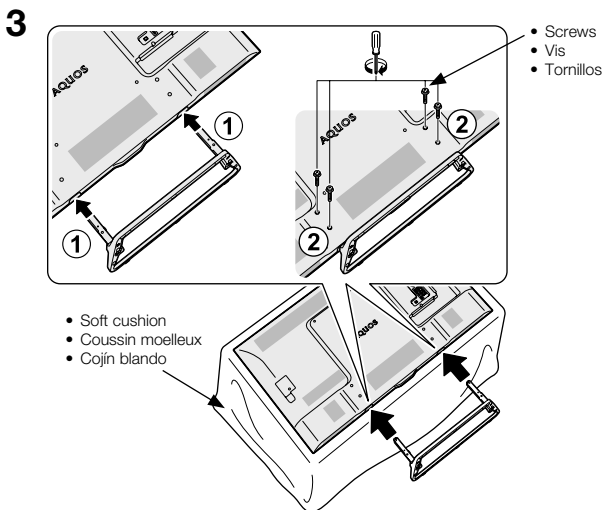
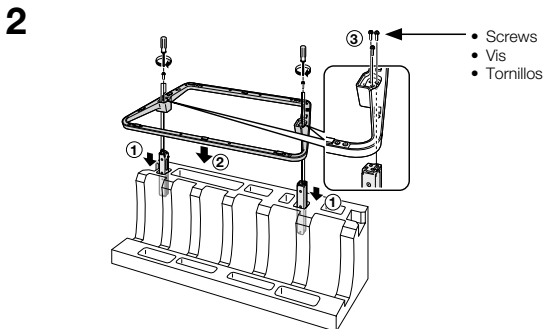
Accesorios opcionales

Los accesorios opcionales listados se encuentran disponibles para el televisor con pantalla de cristal líquido. Adquiéralos en la tienda más cercana.

- En un futuro cercano podrán encontrarse disponibles accesorios opcionales adicionales. Lea el catálogo más reciente para conocer la compatibilidad y la disponibilidad de esos accesorios.

Nombre de pieza	Número del modelo
Ménsula de montaje en la pared	AN-52AG4

Attaching the Stand/Fixation du socle/Colocación del soporte



ENGLISH

- Before attaching (or detaching) the stand, unplug the AC cord.
- Before performing work spread cushioning over the base area to lay the TV on. This will prevent it from being damaged.

CAUTION

- **Be sure to follow the instructions. Incorrect installation of the stand may result in the TV falling over.**

- 1 Confirm that there are 10 screws supplied with the stand unit.
- 2 ① Set the post for the stand unit onto the polystyrene foam.
② Attach the base to the post.
③ Insert and tighten the 6 screws into the 6 holes on the bottom of the base.
 - Hold the stand unit securely with one hand, and then tighten the screws.
- 3 ① Insert the stand into the openings on the bottom of the TV.
 - Make sure that the stand is firmly inserted into the TV. Improper installation may result in tilting of the TV set.
 ② Insert and tighten the 4 screws into the 4 holes on the rear of the TV.

FRANÇAIS

- Avant de poser (ou déposer) le socle, débranchez le cordon secteur.
- Avant de procéder aux opérations, étendez un rembourrage sur la surface de travail pour y placer le téléviseur. Ceci lui évitera d'être endommagé.

ATTENTION

- **Suivez attentivement les instructions. Un montage incorrect du socle peut entraîner la chute du téléviseur.**

- 1 Confirmez que 10 vis sont fournies avec le socle.
- 2 ① Posez le pied pour l'ensemble du socle sur la mousse polystyrène.
② Fixez la base au pied.
③ Insérez et serrez les 6 vis dans les 6 orifices sur la partie inférieure de la base.
 - Maintenez fermement le socle d'une main, puis serrez les vis.
- 3 ① Insérez le socle dans les ouvertures sous le téléviseur.
 - Assurez-vous que le support est fermement inséré dans le téléviseur. Si ce n'est pas le cas, le téléviseur pourrait s'incliner.
 ② Insérez et serrez les 4 vis dans les 4 orifices au dos du téléviseur.

ESPAÑOL

- Antes de poner (o quitar) el soporte, desenchufe el cable de CA.
- Antes de trabajar con el televisor, extienda un material blando sobre el área donde va a ponerlo. Esto impedirá que se estropee el televisor.

PRECAUCIÓN

- **Asegúrese de seguir las instrucciones. La instalación incorrecta del soporte puede causar la caída del televisor.**

- 1 Confirme que se han suministrado 10 tornillos con el soporte.
- 2 ① Coloque el poste para el soporte en la espuma de poliestireno.
② Acople la base al poste.
③ Inserte y apriete los 6 tornillos en los 6 agujeros en la parte inferior de la base.
 - Sujete el soporte de forma segura con una mano, y luego ajuste los tornillos.
- 3 ① Inserte el soporte en las aberturas en la parte inferior del televisor.
 - Asegúrese de que el soporte esté firmemente introducido en el televisor. Una instalación incorrecta puede resultar en la inclinación del televisor.
 ② Inserte y apriete los 4 tornillos en los 4 orificios en la parte posterior del televisor.

• In the installation procedure, be careful not to catch your fingers between the TV set and the floor.

- **Do not remove the stand from the TV unless using an optional wall mount to mount it.**
- **After attaching the stand to the TV, do not hold the stand when you put up, set up, move or lay down the TV.**

• Lors de l'installation, faites attention de ne pas vous coincer les doigts entre le téléviseur et le sol.

- **Ne retirez pas le socle du téléviseur, sauf si vous utilisez l'applique pour montage mural en option pour le monter.**
- **Après avoir fixé le socle au téléviseur, ne tenez pas le socle lorsque vous posez, installez, déplacez ou fixez le téléviseur.**

• Durante el procedimiento de instalación, asegúrese de que sus dedos no queden atrapados entre el televisor y el suelo.

- **No quite el soporte del televisor a menos que utilice una ménsula de montaje en pared opcional para montarlo.**
- **Tras instalar el soporte al televisor, no sujete el soporte cuando cuelgue, monte, mueva o coloque el televisor.**

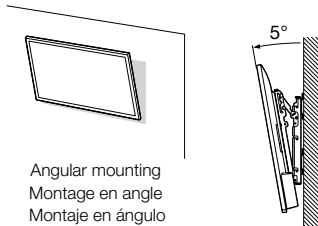
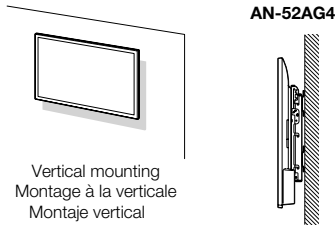
Setting the TV on the Wall/Montage du téléviseur sur un mur/Instalación del televisor en una pared

Hanging on the wall

Suspension au mur

Suspensión del televisor en una pared

- AN-52AG4 wall mount bracket.
(See the bracket instructions for details.)
- Applique pour montage au mur AN-52AG4.
(Reportez-vous aux instructions de l'applique pour les détails.)
- Ménsula de montaje en la pared AN-52AG4.
(Consulte las instrucciones de la ménsula para conocer más detalles.)



ENGLISH

Using an optional bracket to mount the TV

- You can ask a qualified service professional about using an optional AN-52AG4 bracket to mount the TV on the wall.
- Carefully read the instructions that come with the bracket before beginning work.

CAUTION

- **This TV should be mounted on the wall only with the wall mount bracket AN-52AG4 (SHARP). The use of other wall mount brackets may result in an unstable installation and may cause serious injuries.**
- **Installing the TV requires special skill that should only be performed by qualified service personnel. Customers should not attempt to do the work themselves. SHARP bears no responsibility for improper mounting or mounting that results in accident or injury.**

Hanging on the wall

LC-70LE661U

- The center of the display:
3/32 inch (2mm) above the "c" position.

LC-60LE661U

- The center of the display:
31/64 inch (12mm) above the "c" position.

Refer to the operation manual of AN-52AG4 for details.

The wall mount kit (sold separately) allows you to mount the TV on the wall. For detailed information on installing the wall mount, see the instructions provided with the product.

We recommend you to contact a technician for assistance when installing it. SHARP is not responsible for any damage to the product or injury to yourself or others if you elect to install the wall mount on your own.

CAUTION

- **Install your wall mount on a solid wall perpendicular to the floor. When you want to attach the wall mount to surfaces other than plaster board, please contact your nearest retailer/adviser for additional information. If you install the TV on a ceiling or slanted wall, it may fall and result in severe personal injury. Always have two people mount the TV on a wall.**

NOTE

- Due to the terminal configuration on this TV, when you wall-mount this model, make sure there is enough space between the wall and the TV for the cables.
- To use this TV mounted on a wall, remove the AC cord holder on the rear of the TV, and then use the screws supplied with the wall mount bracket to secure the bracket to the rear of the TV.

FRANÇAIS

Utilisation de l'applique en option pour monter le téléviseur

- Vous pouvez faire appel à un technicien de service qualifié et utiliser l'applique AN-52AG4 en option pour monter le téléviseur sur un mur.
- Lisez attentivement les instructions accompagnant l'applique avant de commencer les travaux.

ATTENTION

- **Ce téléviseur doit être installé sur un mur uniquement avec l'applique pour montage mural AN-52AG4 (SHARP). Une installation instable et un risque de blessures graves pourraient résulter de l'utilisation d'autres appliques pour montage mural.**
- **L'installation du téléviseur demande une qualification spéciale et ne devra être exécutée que par un personnel d'entretien qualifié. Nous vous conseillons de ne pas effectuer vous-même ce travail. SHARP décline toute responsabilité en cas de montage défectueux pouvant provoquer un accident ou des blessures.**

Suspension au mur

LC-70LE661U

- Le centre de l'écran:
3/32 de pouce (2mm) au-dessus de la position "c".

LC-60LE661U

- Le centre de l'écran:
31/64 de pouce (12mm) au-dessus de la position "c".

Consultez le mode d'emploi de AN-52AG4 pour les détails.

Le kit de montage mural (vendu séparément) vous permet de monter le téléviseur au mur. Pour des informations détaillées sur l'installation murale, référez-vous aux instructions fournies avec le produit. Nous vous recommandons de faire appel à un technicien pour vous aider à l'installer. SHARP ne pourra être tenu pour responsable de l'endommagement du produit ou des blessures corporelles causées à vous-même ou à autrui si vous décidez d'installer le téléviseur au mur, sans assistance professionnelle.

ATTENTION

- **Installez l'appareil sur un mur solide, perpendiculaire au sol. Si vous souhaitez fixer l'applique murale sur une surface autre qu'une plaque de plâtre, prenez contact avec votre détaillant/conseiller pour de plus amples informations. Si vous installez le téléviseur au plafond ou sur un mur incliné, il peut tomber et provoquer des blessures corporelles graves. Il faut un minimum de deux personnes pour l'installation murale du téléviseur.**

REMARQUE

- En raison de la configuration des prises sur ce téléviseur, lors du montage au mur de ce modèle, assurez-vous de laisser un espace suffisant entre le mur et le téléviseur pour faire passer les câbles.
- Avant toute installation du téléviseur au mur, retirez le support du cordon secteur à l'arrière du téléviseur, puis utilisez les vis fournies avec l'applique pour montage mural pour la fixer à l'arrière du téléviseur.

ESPAÑOL

Utilización de una ménsula opcional para montar el televisor

- Puede preguntar al personal de servicio cualificado acerca de la utilización de una ménsula AN-52AG4 opcional para montar el televisor en una pared.
- Lea cuidadosamente las instrucciones que acompañan a la ménsula antes de iniciar el trabajo.

PRECAUCIÓN

- **Este televisor se instalará en la pared solamente con la ménsula de montaje en pared AN-52AG4 (SHARP). El uso de otras ménsulas de montaje en pared puede conducir a una instalación inestable y esto puede causar lesiones graves.**
- **La instalación del televisor requiere un conocimiento especial, por lo que ésta sólo deberá ser realizada por personal de servicio cualificado. Los clientes no deberán intentar hacer este trabajo ellos mismos. SHARP no se hace responsable del montaje incorrecto ni del montaje que pueda causar accidentes o lesiones.**

Suspensión del televisor en una pared

LC-70LE661U

- El centro de la pantalla:
3/32 pulgadas (2 mm) por encima de la posición "c".

LC-60LE661U

- El centro de la pantalla:
31/64 pulgadas (12 mm) por encima de la posición "c".

Consulte el manual de operación de AN-52AG4 para más detalles.

Utilización del kit de montaje mural para montar el televisor. El kit de montaje mural (se vende por separado) le permite montar el televisor en una pared.

Para obtener información detallada sobre la instalación del montaje mural, consulte las instrucciones que se proporcionan con el producto. Le recomendamos que se ponga en contacto con un técnico para obtener ayuda para la instalación. SHARP no se hace responsable de los daños que pueda sufrir el producto, usted mismo u otras personas si decide instalar el montaje mural usted mismo.

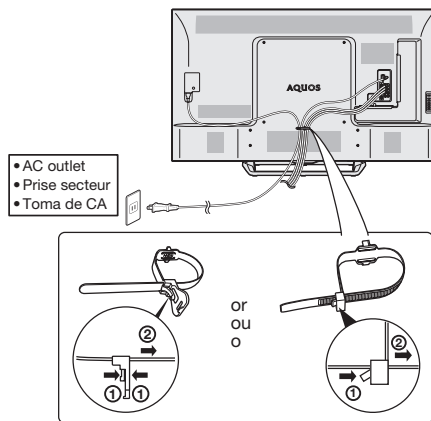
PRECAUCIÓN

- **Instale el montaje mural en un muro sólido y perpendicular al suelo. Si desea colocar el montaje mural en superficies que no sean de yeso, póngase en contacto con el distribuidor/asesor más próximo para obtener información adicional. Si instala el televisor en un techo o en una pared inclinada, este podría caer y provocar lesiones personales graves. El montaje del televisor en la pared requiere la presencia de dos personas.**

NOTA

- Debido a la configuración de los terminales en este televisor, al instalar este modelo en la pared, asegúrese de que haya espacio suficiente para los cables entre la pared y el televisor.
- Para utilizar este TV instalado en la pared, quite el soporte del cable de CA de la parte posterior del TV, y a continuación utilice los tornillos suministrados con la ménsula de montaje en pared, para fijarla en la parte posterior del TV.

AC power supply/Alimentation secteur/Fuente de alimentación de CA



- Place the TV close to the AC outlet, and keep the power plug within reach.
- Placez le téléviseur près de la prise secteur et gardez la fiche du cordon secteur à proximité.
- Coloque el televisor cerca de la toma de CA, y mantenga el enchufe al alcance de la mano.

ENGLISH

AC connection

- 1 Attach your antenna to the back of the television. (See page 22.)
- 2 Connect the AC plug for the television into the AC outlet.
 - Place the TV close to the AC outlet, and keep the power plug within reach.

NOTE

- **TO PREVENT RISK OF ELECTRIC SHOCK, DO NOT TOUCH UN-INSULATED PARTS OF ANY CABLES WITH THE AC CORD CONNECTED.**

FRANÇAIS

Connexion secteur

- 1 Fixez votre antenne au dos du téléviseur. (Voir page 22.)
- 2 Branchez la fiche secteur pour le téléviseur dans la prise secteur.
 - Placez le téléviseur près de la prise secteur et gardez la fiche du cordon secteur à proximité.

REMARQUE

- **POUR ÉVITER LES RISQUES D'ÉLECTROCUTION, NE TOUCHEZ PAS LES PIÈCES NON-ISOLÉES DES CÂBLES LORSQUE LE CORDON SECTEUR EST BRANCHÉ.**

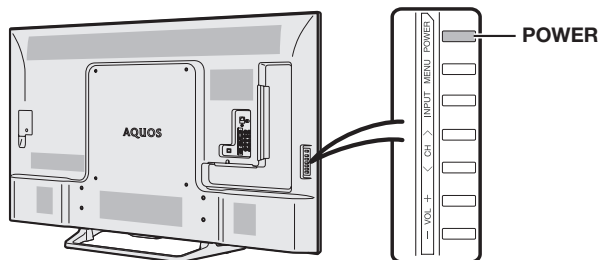
ESPAÑOL

Conexión de CA

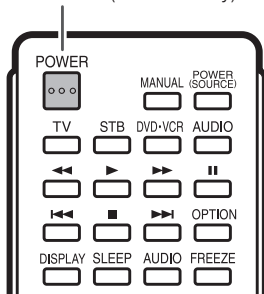
- 1 Coloque su antena en la parte posterior del televisor. (Consulte la página 22.)
- 2 Conecte la clavija de CA del televisor en una toma de CA.
 - Coloque el televisor cerca de la toma de CA, y mantenga el enchufe al alcance de la mano.

NOTA

- **PARA IMPEDIR EL RIESGO DE DESCARGA ELÉCTRICA, NO TOQUE LAS PARTES SIN AISLAR DE NINGÚN CABLE ESTANDO CONECTADO EL CABLE DE CA.**



POWER (On/Standby)



ENGLISH

- When turning on the TV for the first time, press **POWER** on the television.
- Insert the batteries into the remote control unit. (See page 21.)

NOTE

- Speakers cannot be detached from the TV.
- The TV angle cannot be adjusted.

Turning On/Off the Power

Press **POWER** on the TV or on the remote control unit to turn the power on.

NOTE

- The Initial Installation starts when the TV powers on for the first time. If the TV has been turned on before, the Initial Installation will not be invoked. For changing the settings of the Initial Installation, please select "Easy Setup" on the Initial Setup menu.

Press **POWER** on the TV or on the remote control unit again to turn the power off.

- The TV enters standby and the image on the screen disappears.

NOTE

- If you are not going to use this TV for a long period of time, be sure to remove the AC cord from the AC outlet.
- Weak electric power is still consumed even when the TV is turned off.

Experiencing HD Images

An HDTV without an HD source is just an ordinary TV.

To enjoy HD images on the TV, you should get HD programming from the following:

- Over-the-air broadcasting via HD quality antenna
- HD cable/satellite subscription
- HD compatible external equipment

NOTE

- For information on updating to HD programming, ask your cable/satellite service provider.

FRANÇAIS

- Lorsque vous allumez le téléviseur pour la première fois, appuyez sur **POWER** sur le téléviseur.
- Introduisez les piles dans la télécommande. (Voir page 21.)

REMARQUE

- Le haut-parleur ne peut pas être séparé du téléviseur.
- L'angle du téléviseur ne peut pas être ajusté.

Mise sous/hors tension

Appuyez sur la touche d'alimentation (**POWER**) sur le téléviseur ou sur la télécommande pour le mettre sous tension.

REMARQUE

- L'installation initiale démarre lorsque le téléviseur est mis sous tension pour la première fois. Si le téléviseur a déjà été mis sous tension, l'installation initiale n'a pas lieu. Pour changer les réglages de l'installation initiale, procédez « Configuration facile » dans le menu Configuration initiale.

Appuyez de nouveau sur la touche d'alimentation (**POWER**) sur le téléviseur ou sur la télécommande pour l'éteindre.

- Le téléviseur entre en attente et l'image à l'écran disparaît.

REMARQUE

- Si vous prévoyez de ne pas utiliser le téléviseur pendant une période prolongée, veillez à retirer le cordon secteur de la prise secteur.
- Une faible quantité d'électricité est consommée même lorsque le téléviseur est mis hors tension.

Expérience d'images HD

Un téléviseur haute définition sans source HD n'est qu'un téléviseur ordinaire.

Pour profiter d'images HD sur le téléviseur, vous devez bénéficier d'une programmation HD depuis l'une des sources suivantes :

- Diffusion hertzienne via une antenne HD de qualité
- Abonnement câble/satellite HD
- Équipement externe compatible HD

REMARQUE

- Pour de plus amples informations sur la mise à jour vers une programmation HD, consultez votre prestataire de service par câble/satellite.

ESPAÑOL

- Al encender el televisor por primera vez, pulse **POWER** en el televisor.
- Inserte las pilas en el control remoto. (Consulte la página 21.)

NOTA

- Las bocinas no pueden ser separadas del televisor.
- El ángulo del televisor no se puede ajustar.

Conexión/Desconexión de la alimentación

Pulse **POWER** en el televisor o en el control remoto para conectar la alimentación.

NOTA

- La preparación inicial empieza cuando se enciende el televisor por primera vez. Si el televisor ya ha sido encendido con anterioridad, la preparación inicial no se activará. Para cambiar los ajustes de la preparación inicial, Seleccione "Autoinstalacion" en el menu Configuración inicial.

Pulse de nuevo **POWER** en el televisor o en el control remoto para desconectar la alimentación.

- El televisor entra en espera y la imagen de la pantalla desaparece.

NOTA

- Si no va a utilizar este televisor durante un largo periodo de tiempo, asegúrese de desconectar el cable de CA de la toma de CA.
- Existe un mínimo consumo de energía eléctrica, incluso cuando el televisor esta apagado.

Vivencia de imágenes en HD

Un televisor de Alta Definición (HDTV) sin una fuente de HD es simplemente un televisor común.

Para disfrutar de las imágenes de HD en el televisor, debe obtener programación de HD por medio de una de las fuentes siguientes.

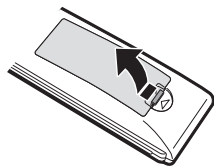
- Emisión aérea a través de una antena de calidad HD
- Suscripción a cable/satélite de HD
- Equipo externo compatible con HD

NOTA

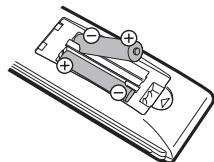
- Para mayor información sobre cómo actualizar a programación HD, pregunte a su proveedor de servicio de cable/satélite.

Remote Control Unit/Télécommande/Control Remoto

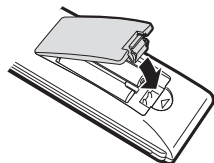
1



2



3



ENGLISH

Installing Batteries in the Remote Control Unit

If the remote control fails to operate TV functions, replace the batteries in the remote control unit.

- 1 Open the battery cover.
- 2 Insert two "AAA" size batteries (supplied with the product).
 - Place the batteries with their terminals corresponding to the (+) and (-) indications in the battery compartment.
- 3 Close the battery cover.

CAUTION

Improper use of batteries can result in chemical leakage or explosion. Be sure to follow the instructions below.

- Do not mix batteries of different types. Different types of batteries have different characteristics.
- Do not mix old and new batteries. Mixing old and new batteries can shorten the life of new batteries or cause chemical leakage in old batteries.
- Remove batteries as soon as they are worn out. Chemicals that leak from batteries that come in contact with skin can cause a rash. If you find any chemical leakage, wipe thoroughly with a cloth.
- The batteries supplied with this product may have a shorter life expectancy due to storage conditions.
- If you will not be using the remote control unit for an extended period of time, remove batteries from it.

Using the Remote Control Unit

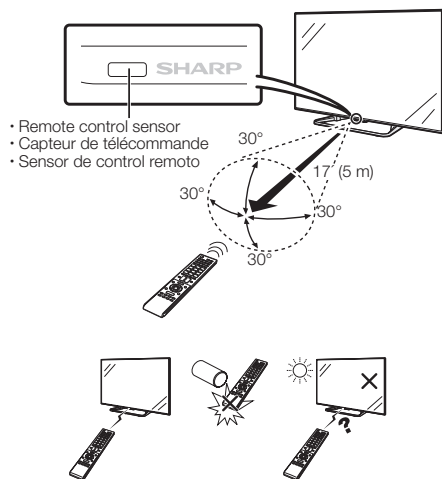
Use the remote control unit by pointing it towards the remote control sensor on the TV. Objects between the remote control unit and the remote control sensor may prevent proper operation.

■ Cautions regarding the remote control unit

- Do not expose the remote control unit to shock. In addition, do not expose the remote control unit to liquids, and do not place it in an area with high humidity.
- Do not install or place the remote control unit under direct sunlight. The heat may cause deformation of the remote control unit.
- The remote control unit may not work properly if the remote control sensor on the TV is under direct sunlight or strong lighting. In such cases, change the angle of the lighting or the TV, or operate the remote control unit closer to the remote control sensor.

IMPORTANT:

IF THE UNIT DOES NOT POWER ON - UNPLUG THE TELEVISION FROM THE OUTLET AND REPEAT THE INSTALLATION STEPS. IF YOU STILL ENCOUNTER NO POWER, PLEASE CONTACT US AT 1-877-PRO-ADV1 (1-877-776-2381).



- Remote control sensor
- Capteur de télécommande
- Sensor de control remoto

FRANÇAIS

Mise en place des piles dans la télécommande

Si la télécommande ne contrôle plus les fonctions du téléviseur, remplacez les piles dans la télécommande.

- 1 Ouvrez le couvercle des piles.
- 2 Insérez les deux piles format « AAA » (fournies avec l'appareil).
 - Placez les piles en faisant correspondre leurs bornes avec les indications (+) et (-) dans le compartiment.
- 3 Refermez le couvercle.

ATTENTION

Une utilisation incorrecte des piles peut provoquer des fuites ou une explosion. Veuillez à suivre les instructions ci-dessous.

- N'utilisez pas ensemble des piles de types différents. Les autres piles ont des caractéristiques différentes.
- N'utilisez pas ensemble des piles usagées et neuves. Ceci peut raccourcir la durée de vie des piles neuves ou provoquer des fuites des piles usagées.
- Retirez les piles dès qu'elles sont usées. Le contact avec la peau de produits chimiques s'écoulant d'une pile peut provoquer une allergie. En cas de fuite, essuyez soigneusement avec un chiffon.
- Les piles fournies avec l'appareil peuvent avoir une durée de vie plus courte que prévue en raison des conditions de stockage.
- Si vous n'avez pas l'intention d'utiliser la télécommande pendant une période prolongée, retirez les piles.

Utilisation de la télécommande

Utilisez la télécommande en la dirigeant vers le capteur de télécommande du téléviseur. Les objets placés entre la télécommande et le capteur de télécommande risquent d'empêcher le bon fonctionnement des appareils.

■ Précautions relatives à la télécommande

- N'exposez pas la télécommande à des chocs. Ne l'exposez pas non plus à des liquides et ne la placez pas dans des endroits très humides.
- N'installez pas et n'exposez pas la télécommande directement au soleil. La chaleur peut provoquer la déformation de la télécommande.
- La télécommande risque de ne pas fonctionner normalement si le capteur de télécommande du téléviseur est directement exposé au soleil ou sous un éclairage violent. Dans ce cas, changez l'angle de l'éclairage ou du téléviseur, ou utilisez la télécommande en vous rapprochant du capteur de télécommande.

IMPORTANT:

SI L'UNITÉ NE SE MET PAS SOUS TENSION - DEBRANCHEZ LE TÉLÉVISEUR DE LA PRISE SECTEUR ET RÉPÉTEZ LES ÉTAPES DE L'INSTALLATION. SI LE TÉLÉVISEUR NE SE MET TOUJOURS PAS SOUS TENSION, CONTACTEZ-NOUS AU 1-877-PRO-ADV1 (1-877-776-2381).

ESPAÑOL

Instalación de las pilas en el control remoto

Reemplace las pilas del control remoto si éste no puede operar el televisor.

- 1 Abra la cubierta de las pilas.
- 2 Inserte dos pilas tamaño "AAA" (suministradas con el producto).
 - Ponga las pilas con sus terminales correspondientes en los indicadores (+) y (-) del compartimento de las pilas.
- 3 Cierre la cubierta de las pilas.

PRECAUCIÓN

La utilización incorrecta de las pilas puede causar escapes de sustancias químicas o explosiones. Asegúrese de seguir las instrucciones dadas a continuación.

- No mezcle pilas de tipos diferentes. Las pilas de tipos diferentes tienen también características diferentes.
- No mezcle pilas viejas y nuevas. La mezcla de pilas viejas y nuevas puede reducir la duración de las pilas nuevas o causar fugas de sustancias químicas en las pilas viejas.
- Quite las pilas tan pronto como se agoten. Las sustancias químicas que escapan de las pilas y entran en contacto con la piel pueden causar sarpullido. Si detecta alguna fuga de sustancias químicas, limpie bien con un paño.
- Las pilas suministradas con este producto pueden durar menos de lo esperado debido a las condiciones en las que han estado guardadas.
- Si no va a utilizar el control remoto durante un largo periodo de tiempo, retire las pilas del mismo.

Utilización del control remoto

Utilice el control remoto apuntándolo hacia el sensor de control remoto en el televisor. Los objetos ubicados entre el control remoto y el sensor de control remoto pueden impedir el funcionamiento apropiado.

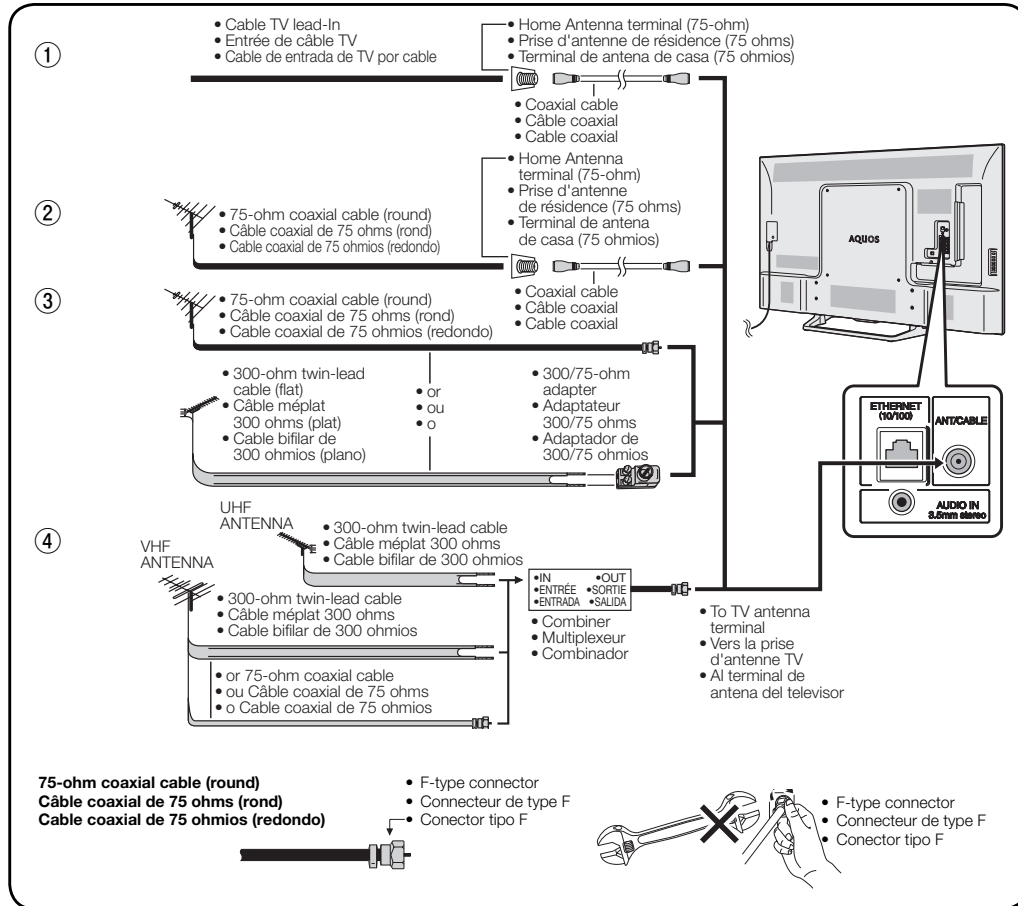
■ Precauciones relacionadas con el control remoto

- No exponga a golpes el control remoto. Además, no exponga tampoco el control remoto a los líquidos, y no lo coloque en un área con alta humedad.
- No instale ni coloque el control remoto bajo la luz directa del sol. El calor puede causar deformaciones en el mismo.
- El control remoto puede que no funcione correctamente si el sensor de control remoto del televisor está bajo la luz solar directa o una fuente de iluminación intensa. En tales casos, cambie el ángulo de la iluminación o del televisor, o utilice el control remoto más cerca del sensor de control remoto.

IMPORTANTE:

SI LA UNIDAD NO SE ENCIENDE, DESENCHUFE EL TELEVISOR DE LA TOMA DE CORRIENTE Y REPITA LOS PASOS DE INSTALACIÓN. SI SIGUE SIN PODER ENCENDERLO, PÓNGASE EN CONTACTO CON NOSOTROS LLAMANDO AL 1-877-PRO-ADV1 (1-877-776-2381).

Connection/Connexion/Conexión



ENGLISH

Antennas

To enjoy a clearer picture, use an outdoor antenna. The following is a brief explanation of the types of connections that are used for a coaxial cable. If your outdoor antenna uses a 75-ohm coaxial cable with an F-type connector, plug it into the antenna terminal at the rear of the TV set. For connecting the antenna cable to the TV, use commercially available cables.

Connecting Antenna Cable

• Connect the antenna cable to the TV using one of the methods in the illustration as shown (①, ②, ③ or ④).

- ① Cable without a CATV converter
- ② VHF/UHF antenna
- ③ Combination VHF/UHF antenna
- ④ Separate VHF/UHF antenna

* A 75-ohm system is generally a round cable with F-type connector that can easily be attached to a terminal without tools.

* A 300-ohm system is a flat "twin-lead" cable that can be attached to a 75-ohm terminal through a 300/75-ohm adapter.

NOTICE F-type connector should be finger-tightened only.

When connecting the RF cable to the TV set, do not tighten F-type connector with tools. If tools are used, it may cause damage to your TV set. (The breaking of internal circuit, etc.)

FRANÇAIS

Antennes

Pour obtenir des images plus nettes, utilisez une antenne externe. Ce qui suit est une brève explication des types de raccordements utilisés pour le câble coaxial. Si votre antenne externe est dotée d'un câble coaxial de 75 ohms avec un connecteur de type F, branchez-la dans la prise d'antenne à l'arrière du téléviseur. Pour raccorder le câble d'antenne à un téléviseur, utilisez des câbles disponibles dans le commerce.

Raccordement du câble d'antenne

• Raccordez le câble d'antenne au téléviseur par l'une des méthodes illustrées (①, ②, ③ ou ④).

- ① Câble sans convertisseur CATV
- ② Antenne VHF/UHF
- ③ Antenne mixte VHF/UHF
- ④ Antenne séparée VHF/UHF

* Une antenne de 75 ohms comporte généralement un câble rond avec un connecteur de type F qui peut être facilement raccorder sans outils à la borne.

* Une antenne de 300 ohms comporte un câble plat à deux conducteurs « câble méplat » pouvant être raccorder à une borne de 75 ohms par l'intermédiaire d'un adaptateur 300/75 ohms.

REMARQUE Le connecteur de type F doit être serré manuellement.

Lors du raccordement du câble RF sur le téléviseur, ne serrez pas le connecteur de type F avec des outils. Si des outils sont utilisés, ceci risque d'endommager le téléviseur (dommage du circuit interne, par ex.).

ESPAÑOL

Antenas

Para disfrutar de una imagen clara, utilice una antena exterior. A continuación se ofrece una breve explicación de los tipos de conexiones que se utilizan para un cable coaxial. Si su antena exterior utiliza un cable coaxial de 75 ohmios con un conector tipo F, enchúfela al terminal de antena del panel trasero del televisor. Para conectar el cable de la antena al TV, utilice cables comercialmente disponibles.

Conexión de cable de antena

• Conecte el cable de antena al televisor utilizando uno de los métodos mostrados en la ilustración (①, ②, ③ ó ④).

- ① Cable sin convertidor CATV
- ② Antenas de VHF/UHF
- ③ Combinación de antenas de VHF/UHF
- ④ Antenas de VHF/UHF separadas

* Un sistema de 75 ohmios es generalmente un cable redondo con un conector tipo F que se puede conectar fácilmente a un terminal sin herramientas.


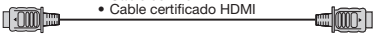


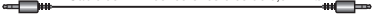


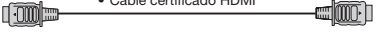

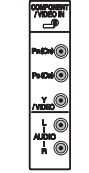
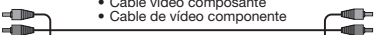


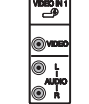
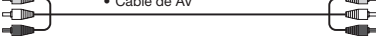

* Un sistema de 300 ohmios es un cable "bifilar" plano que se puede conectar a un terminal de 75 ohmios a través de un adaptador 300/75 ohmios.

AVISO El conector del tipo F deberá apretarse con los dedos solamente.


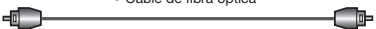




Cuando conecte el cable de RF al televisor, no apriete el conector tipo F con ninguna herramienta. Si emplease herramientas podría dañar su televisor. (La ruptura del circuito interno, etc.)

Connection/Connexion/Conexión

- Connecting to video equipment or PC
- Connexion à un équipement vidéo ou à un ordinateur
- Conexión a un equipo de vídeo o a un PC

<ul style="list-style-type: none"> • Image Quality • Qualité de l'image • Calidad de imagen 	<ul style="list-style-type: none"> • Terminal on the TV • Prise sur le téléviseur • Terminal del televisor 	<ul style="list-style-type: none"> • Cable • Câble • Cable 	<ul style="list-style-type: none"> • Terminal on external equipment • Prise sur appareil externe • Terminal del equipo externo 	<ul style="list-style-type: none"> • Pages • Pages • Páginas
<ul style="list-style-type: none"> • HD Quality • Qualité HD • Calidad HD 		<ul style="list-style-type: none"> • HDMI-certified cable • Câble certifié HDMI • Cable certificado HDMI 		24, 26, 27
		<ul style="list-style-type: none"> • Ø 3.5 mm stereo minijack cable • Câble avec mini-prise stéréo ø 3,5 mm • Cable con miniconector estéreo de 3,5 mm ø 		27
		<ul style="list-style-type: none"> • HDMI-certified cable • Câble certifié HDMI • Cable certificado HDMI 		27
		<ul style="list-style-type: none"> • Component video cable • Câble vidéo composante • Cable de vidéo componente  <ul style="list-style-type: none"> • Audio cable • Câble audio • Cable de audio 		25
<ul style="list-style-type: none"> • Standard Quality • Qualité standard • Calidad estándar 		<ul style="list-style-type: none"> • AV cable • Câble AV • Cable de AV 		25

- Connecting to audio equipment
- Connexion à un équipement audio
- Conexión a un equipo de audio

<ul style="list-style-type: none"> • Terminal on the TV • Prise sur le téléviseur • Terminal del televisor 	<ul style="list-style-type: none"> • Cable • Câble • Cable 	<ul style="list-style-type: none"> • Terminal on external equipment • Prise sur appareil externe • Terminal del equipo externo 	<ul style="list-style-type: none"> • Pages • Pages • Páginas
	<ul style="list-style-type: none"> • Optical fiber cable • Câble à fibre optique • Cable de fibra óptica 		26
	<ul style="list-style-type: none"> • Ø3.5 mm stereo minijack to RCA audio cable • Câble audio avec mini-prise stéréo ø 3,5 mm vers RCA • Cable de audio con miniconector estéreo de 3,5 mm ø a RCA 		26

ENGLISH

Types of Connection

For connecting the TV to external equipment, use commercially available cables.

- The illustrations of the terminals are for explanation purposes and may vary slightly from the actual products.

■ Connecting to video equipment or PC

Image quality differs depending on the terminal used. To enjoy clearer images, check the output terminals of your external equipment and use its appropriate terminals for higher quality images.

■ Connecting to audio equipment

Check the output terminals of your external equipment and use its appropriate terminals.

FRANÇAIS

Types de connexions

Pour connecter le téléviseur à un équipement externe, utilisez les câbles disponibles commercialement.

- Les illustrations des prises sont fournies à titre d'exemple et peuvent légèrement varier sur les produits réels.

■ Connexion à un équipement vidéo ou à un ordinateur

La qualité de l'image diffère en fonction de la prise utilisée. Pour profiter d'images plus claires, vérifiez les prises de sortie de votre appareil externe et utilisez les prises appropriées pour des images de plus grande qualité.

■ Connexion à un équipement audio

Vérifiez les bornes de sortie de votre équipement externe et utilisez ses bornes appropriées.

ESPAÑOL

Tipos de conexiones

Para la conexión del televisor a un equipo externo, use cables disponibles comercialmente.

- Las ilustraciones de los terminales son con fines explicativos y es posible que varíen ligeramente con respecto a los productos reales.

■ Conexión a un equipo de vídeo o a un PC

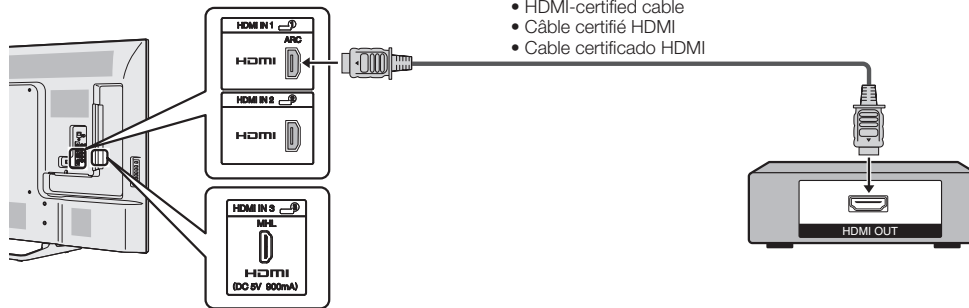
La calidad de imagen difiere según el terminal que se utilice. Para disfrutar de imágenes más claras, verifique los terminales de salida de su equipo externo y utilice los terminales adecuados para obtener imágenes de mejor calidad.

■ Conexión a un equipo de audio

Compruebe los terminales de salida del equipo externo y utilice los terminales apropiados.

Connection/Connexion/Conexión

①



- HDMI-certified cable
- Câble certifié HDMI
- Cable certificado HDMI

ENGLISH

You can connect many types of external equipment to your TV. To view external source images, select the input source by pressing **INPUT** on the remote control unit or on the TV.
For connecting the TV to external equipment, use commercially available cables.

CAUTION

- To protect equipment, always turn off the TV before connecting any external equipment.
- Please read the relevant operation manual (Blu-ray disc player, etc.) carefully before making connections.

Connecting a Blu-ray Disc/DVD Player or HD Cable/Satellite Set-top Box

① When using an HDMI cable (HDMI IN 1, 2 or 3):

- The HDMI (High Definition Multimedia Interface) terminal is an audio-video interface that enables a connection for audio and video signals using a single cable. The HDMI IN terminal supports high-resolution video input.
- To enjoy 1080p display capability, connect your external equipment using an HDMI-certified cable or a component cable and set the equipment to 1080p output.
- Supported Audio format: Linear PCM, Dolby Digital, DTS, sampling rate 32/44,1/48kHz.
- When you connect ARC-compatible equipment, use HDMI IN 1.

FRANÇAIS

Vous pouvez raccorder différents types d'appareil externe à votre téléviseur. Pour regarder des images d'une source externe, sélectionnez la source d'entrée à en appuyant sur **INPUT** sur la télécommande ou sur le téléviseur.

Pour connecter le téléviseur à un équipement externe, utilisez les câbles disponibles commercialement.

ATTENTION

- Pour protéger l'appareil, éteignez toujours le téléviseur avant de raccorder un appareil externe.
- Reportez-vous aux modes d'emploi appropriés (lecteur de disque Blu-ray, etc.) avant de procéder aux raccordements.

Raccordement d'un lecteur de disque Blu-ray, lecteur DVD ou boîtier décodeur de réception HD par câble/satellite

① Lors de l'utilisation d'un câble HDMI (HDMI IN 1, 2 ou 3):

- La prise HDMI (High Definition Multimedia Interface) est une interface audio-vidéo qui permet une connexion pour des signaux audio et vidéo à l'aide d'un simple câble. La prise HDMI IN prend en charge l'entrée vidéo en haute résolution.
- Pour bénéficier de toutes les fonctionnalités de l'affichage 1080p, branchez l'appareil externe au moyen d'un câble certifié HDMI ou câble composantes et réglez l'appareil sur la sortie 1080p.
- Format audio pris en charge : PCM linéaire, Dolby Digital, DTS, taux d'échantillonnage 32/44,1/48 kHz.
- Lorsque vous raccordez un appareil compatible ARC, utilisez HDMI IN 1.

ESPAÑOL

Puede conectar muchos tipos de equipos externos a su televisor. Para ver las imágenes de la fuente externa, seleccione la fuente de entrada pulsando **INPUT** en el control remoto o en el televisor.

Para la conexión del televisor a un equipo externo, use cables disponibles comercialmente.

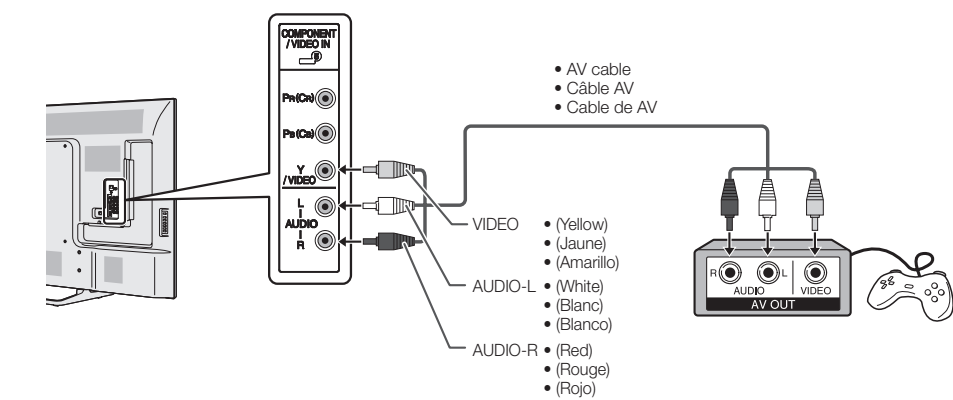
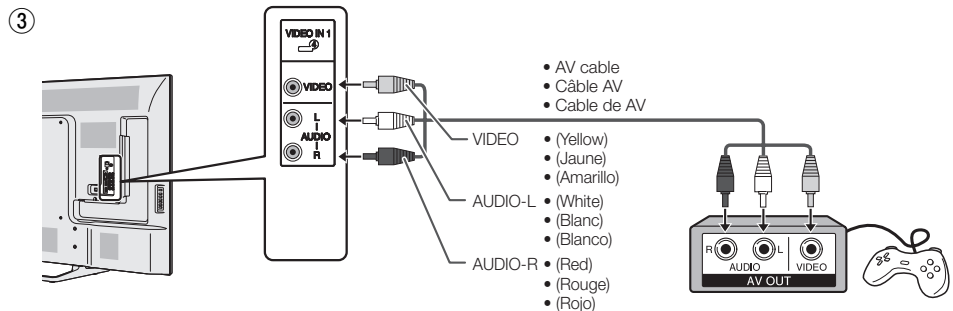
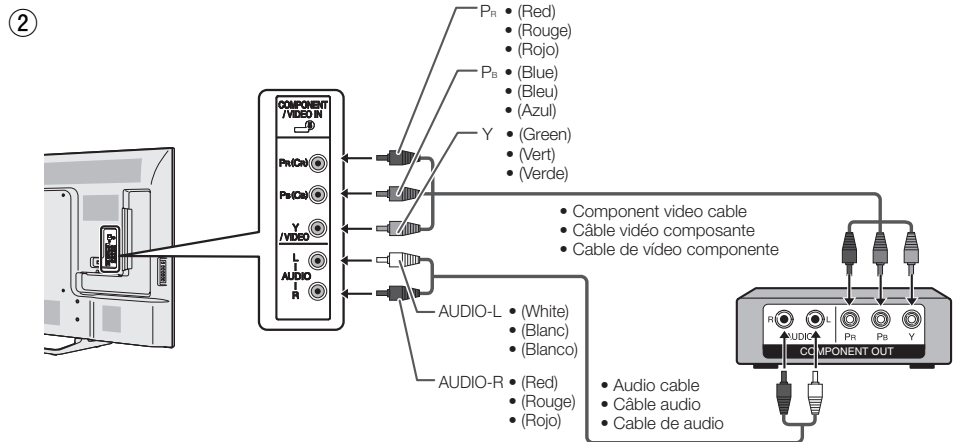
PRECAUCIÓN

- Para proteger al equipo, apague siempre el televisor antes de conectar cualquier equipo externo.
- Lea cuidadosamente el manual de operación pertinente (reproductor de disco Blu-ray, etc.) antes de hacer las conexiones.

Conexión de un reproductor de disco Blu-ray, reproductor de DVD o decodificador de cable/satélite de HD

① Cuando se utiliza un cable HDMI (HDMI IN 1, 2 ó 3):

- El terminal de HDMI (High Definition Multimedia Interface) es una interfaz de audio-vídeo que facilita una conexión para señales de audio y vídeo que utiliza un solo cable. El terminal de HDMI IN soporta entrada de vídeo de alta resolución.
- Para disfrutar de las posibilidades de visualización de 1080p, conecte su equipo externo utilizando un cable certificado HDMI o un cable componente y ajuste el equipo a la salida 1080p.
- Formato de audio soportado: PCM lineal, Dolby Digital, DTS, frecuencia de muestreo 32/44,1/48kHz.
- Si conecta un equipo compatible con ARC, utilice HDMI IN 1.



ENGLISH

Connecting a Blu-ray Disc/DVD Player or HD Cable/Satellite Set-top Box

② When using a Component cable (COMPONENT/VIDEO IN):

- To enjoy 1080p display capability, connect your external equipment using an HDMI-certified cable or a component cable and set the equipment to 1080p output.
- When you connect a component cable to the COMPONENT/VIDEO IN terminal, switch Input Select to COMPONENT.

Connecting a VCR, Game Console, Camcorder or Cable/Satellite Set-top Box

③ When using a Composite cable (COMPONENT/VIDEO IN or VIDEO IN 1):

- When you connect an AV cable to the COMPONENT/VIDEO IN terminal, switch Input Select to VIDEO.

FRANÇAIS

Raccordement d'un lecteur de disque Blu-ray, lecteur DVD ou boîtier décodeur de réception HD par câble/satellite

② Lors de l'utilisation d'un câble composante (COMPONENT/VIDEO IN) :

- Pour bénéficier de toutes les fonctionnalités de l'affichage 1080p, branchez l'appareil externe au moyen d'un câble certifié HDMI ou câble composantes et réglez l'appareil sur la sortie 1080p.
- Lorsque vous connectez un câble composante au terminal COMPONENT/VIDEO IN, commutez la sélection d'entrée sur COMPONENT.

Raccordement d'un magnétoSCOPE, console de jeu, caméSCOPE ou boîtier décodeur de réception par câble/satellite

③ Lors de l'utilisation d'un câble composite (COMPONENT/VIDEO IN ou VIDEO IN 1) :

- Lorsque vous connectez un câble AV au terminal COMPONENT/VIDEO IN, commutez la sélection d'entrée sur VIDEO.

ESPAÑOL

Conexión de un reproductor de disco Blu-ray, reproductor de DVD o decodificador de cable/satélite de HD

② Cuando se utiliza un cable componente (COMPONENT/VIDEO IN):

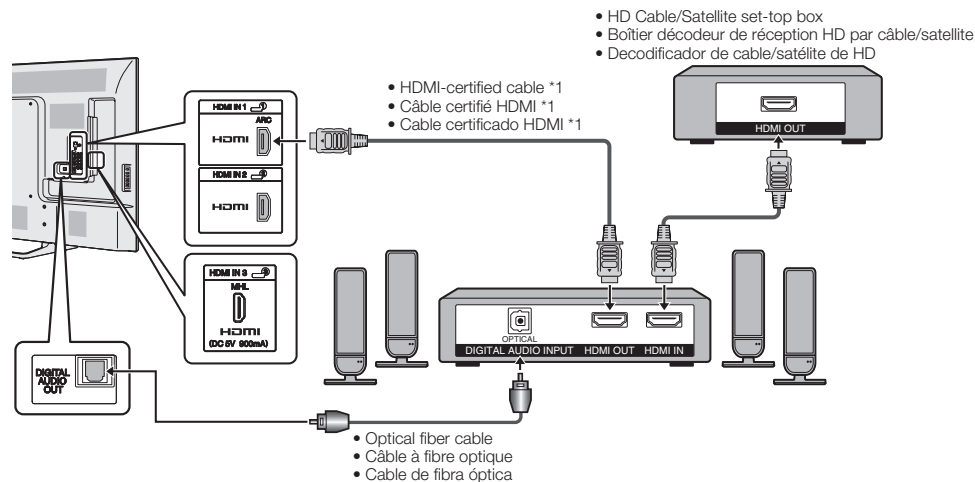
- Para disfrutar de las posibilidades de visualización de 1080p, conecte su equipo externo utilizando un cable certificado HDMI o un cable componente y ajuste el equipo a la salida 1080p.
- Al conectar un cable de componentes al terminal COMPONENT/VIDEO IN, cambie Seleccionar entrada a COMPONENTE.

Conexión de una videograbadora, una consola de videojuegos, una videocámara o un decodificador de cable/satélite

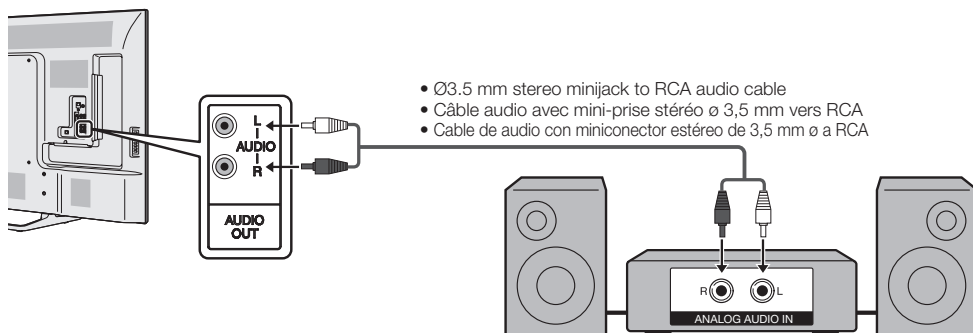
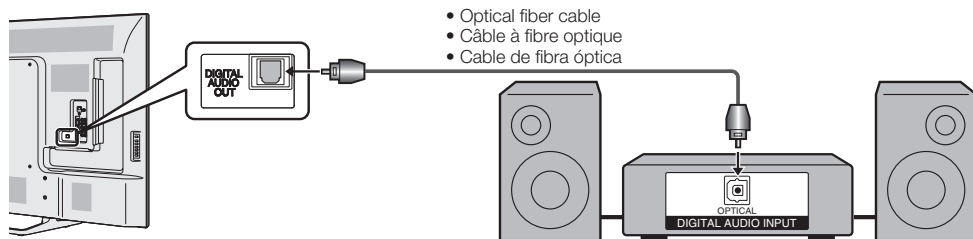
③ Cuando se utiliza un cable de vídeo compuesto (COMPONENT/VIDEO IN o VIDEO IN 1):

- Al conectar un cable AV al terminal COMPONENT/VIDEO IN, cambie Seleccionar entrada a VIDEO.

4



5



ENGLISH

Connecting a Surround System/Audio System

4 When connecting an AV amplifier for a surround system

- Letting the TV output the audio to an AV amplifier:
*1 When you connect ARC-compatible equipment, use HDMI IN 1.
- If the image is not in sync with the audio, check the settings of the connected surround system.

5 When connecting an audio amplifier

- It is possible to output audio through the DIGITAL AUDIO OUT terminal.
- In this case, set "DIGITAL AUDIO" to "PCM" or "Bitstream". (Refer to built-in operation manual.)

FRANÇAIS

Raccordement d'un système ambiophonique/un système audio

4 Lors de la connexion d'un amplificateur AV pour un système ambiophonique

- Laisser le téléviseur reproduire l'audio sur un amplificateur AV :
*1 Lorsque vous raccordez un appareil compatible ARC, utilisez HDMI IN 1.
- Si l'image n'est pas synchronisée avec le son, vérifiez les réglages du système ambiophonique raccordé.

5 Lors de la connexion d'un amplificateur audio

- Il est possible d'émettre un son audio via la prise de sortie DIGITAL AUDIO OUT.
- Dans ce cas, réglez « DIGITAL AUDIO » sur « PCM » ou « Flux binaire ». (Reportez-vous au mode d'emploi intégré)

ESPAÑOL

Conexión a un sistema de sonido envolvente/sistema de audio

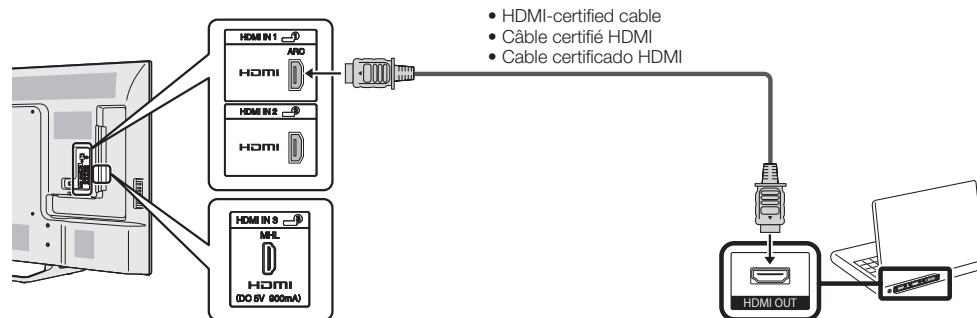
4 Conexión a un amplificador de AV para un sistema de sonido envolvente

- Para dejar que el televisor emita el audio a un amplificador AV :
*1 Si conecta un equipo compatible con ARC, utilice HDMI IN 1.
- Si la imagen no está sincronizada con el audio, compruebe los ajustes del sistema de sonido envolvente conectado.

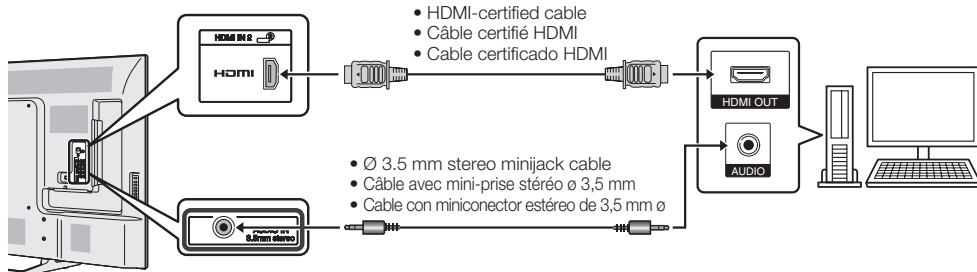
5 Conexión a un amplificador de audio

- Es posible dar salida de audio a través del terminal DIGITAL AUDIO OUT.
- En tal caso, seleccionar "DIGITAL AUDIO" en "PCM" o en "Flujo de bits". (Consulte el Manual de instrucciones integrado.)

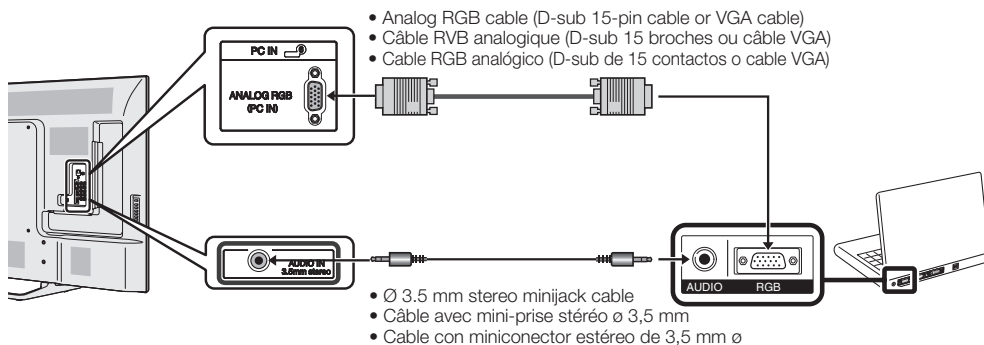
6



or/ou/o



7



ENGLISH

Connecting a PC

Refer to built-in operation manual for a list of PC signals compatible with the TV.

6 When using an HDMI cable (HDMI IN 1, 2 or 3):

- Depending on the board, only video signals may be output. In this case, in addition to connecting an HDMI-certified cable to the HDMI IN 2 terminal, connect a Ø 3.5 mm stereo minijack cable to the AUDIO IN terminal and set "Audio Select" to "HDMI+Analog". (Refer to built-in operation manual.)
- The HDMI IN terminals only support digital signal.

7 When using an analog RGB cable (PC IN):

- When using an analog RGB cable, input the audio signal to the AUDIO IN terminal of PC IN.

FRANÇAIS

Raccordement d'un ordinateur

Reportez-vous au mode d'emploi intégré pour la liste des signaux d'ordinateur compatibles avec le téléviseur.

6 Lors de l'utilisation d'un câble HDMI (HDMI IN 1, 2 ou 3) :

- Selon la carte, il est possible que seuls des signaux vidéo puissent être envoyés sur la sortie. Dans ce cas, outre la connexion d'un câble certifié HDMI sur la prise HDMI IN 2, connectez un câble avec mini-prise stéréo Ø 3,5 mm sur la prise AUDIO IN et réglez « Sélection Audio » sur « HDMI + analogique ». (Reportez-vous au mode d'emploi intégré)
- Les prises HDMI IN ne prennent en charge que le signal numérique.

7 Lors de l'utilisation d'un câble RVB analogique (PC IN) :

- Lorsque vous utilisez un câble RVB analogique, entrez le signal audio à partir de la prise AUDIO IN de PC IN.

ESPAÑOL

Conexión de un PC

Consulte el Manual de instrucciones integrado para conocer una lista de las señales de PC compatibles con el televisor.

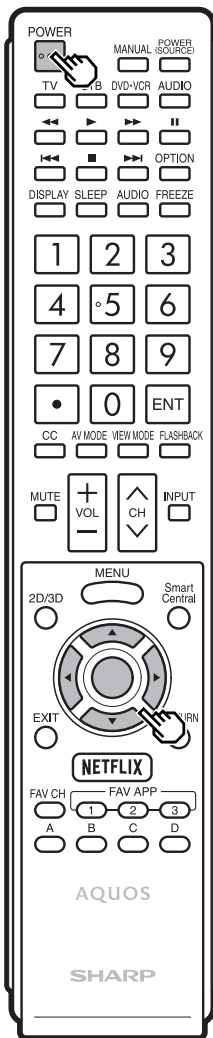
6 Cuando se utiliza un cable HDMI (HDMI IN 1, 2 ó 3):

- Dependiendo de la tarjeta, solamente se podrán sacar señales de vídeo. En este caso, en adición a conectar un cable certificado HDMI al terminal HDMI IN 2, conecte un cable con miniconector estéreo de 3,5 mm Ø al terminal AUDIO IN y ajuste "Selección Audio" a "HDMI + Analógico". (Consulte el Manual de instrucciones integrado.)
- Los terminales HDMI IN solamente soportan señal digital.

7 Cuando se utiliza un cable RGB analógico (PC IN):

- Al utilizar un cable RGB analógico, entre la señal de audio al terminal AUDIO IN de PC IN.

Watching TV/Pour regarder la télévision/Para ver TV



ENGLISH

Initial Installation

Perform the following steps before you press **POWER** on the remote control unit.

- 1 Insert the batteries into the remote control unit.
- 2 Connect the antenna cable to the TV.
- 3 Plug in the AC cord to the AC outlet.

Language (Language setting)

Select from among 3 languages: English, French and Spanish.

- 1 Press ▲/▼ to select the desired language listed on the screen, and then press **ENTER**.



Location & Time

Make settings for the country, area and time zone where you use the TV.

- 2 Press ▲/▼ to select "US", "Canada" or "Mexico", and then press **ENTER**.
- 3 Press ▲/▼ to select the time zone where you are using the TV, and then press **ENTER**.
- 4 Press ▲/▼ to select the Daylight Savings Time, and then press **ENTER**.

FRANÇAIS

Installation initiale

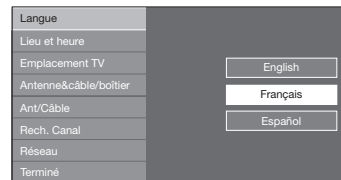
Procédez aux étapes suivantes avant d'appuyer sur **POWER** de la télécommande.

- 1 Introduisez les piles dans la télécommande.
- 2 Branchez le câble d'antenne sur le téléviseur.
- 3 Branchez le cordon secteur dans la prise secteur.

Langue (Réglage de la langue)

Sélectionnez parmi 3 langues : anglais, français et espagnol.

- 1 Appuyez sur ▲/▼ pour sélectionner la langue désirée sur la liste à l'écran, et appuyez ensuite sur **ENTER**.



Lieu et heure

Effectuez les réglages pour le pays, la zone et le fuseau horaire où vous utilisez le téléviseur.

- 2 Appuyez sur ▲/▼ pour sélectionner « USA », « Canada » ou « Mexique », et appuyez ensuite sur **ENTER**.
- 3 Appuyez sur ▲/▼ pour sélectionner le fuseau horaire où vous utilisez le téléviseur, et appuyez ensuite sur **ENTER**.
- 4 Appuyez sur ▲/▼ pour sélectionner l'heure d'été, et appuyez ensuite sur **ENTER**.

ESPAÑOL

Preparación inicial

Ejecute los pasos siguientes antes de pulsar **POWER** en el control remoto.

- 1 Inserte las pilas en el control remoto.
- 2 Conecte el cable de la antena al televisor.
- 3 Enchufe el cable de CA en la toma de CA.

Idioma (Ajuste de idioma)

Seleccione entre 3 idiomas: Inglés, Francés y Español.

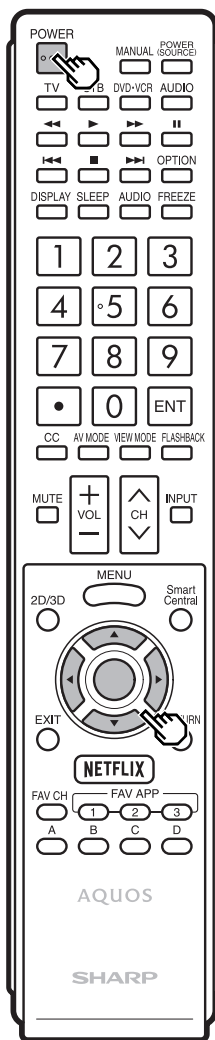
- 1 Pulse ▲/▼ para seleccionar el idioma deseado listado en la pantalla, y luego pulse **ENTER**.



Localización & Hora

Realice los ajustes de acuerdo con el país, área y zona horaria en la que utiliza el televisor.

- 2 Pulse ▲/▼ para seleccionar "Estados Unidos", "Canadá" o "México", y luego pulse **ENTER**.
- 3 Pulse ▲/▼ para seleccionar la zona horaria en la que utiliza el televisor, y luego pulse **ENTER**.
- 4 Pulse ▲/▼ para seleccionar Horario de Verano, y luego pulse **ENTER**.



ENGLISH

TV Location

Select "Home" or "Store" for the location where you plan to install the TV. This product qualifies for ENERGY STAR in Home mode default setting.

- 5 Press ◀▶ to select "Home" or "Store".
Press **ENTER** to enter the setting.

Antenna & Cable/STB

Select the type of connection you will use to watch TV.

- 6 Press ◀▶ to select "Antenna & Cable" or "Set-top box", and then press **ENTER**.

Air/Cable (Antenna setting)

Make sure what kind of connection is made with your TV when selecting "Air" or "Cable".

- 7 Press ◀▶ to select "Air" or "Cable".
Press **ENTER** to enter the setting.

CH Search (Channel search)

Channel auto search makes the TV look for all channels viewable in the set area.

- 8 **When "Air" is selected in Antenna setting:**
Press ◀▶ to select "Start", and then press **ENTER**.

Smart TV

When you connect to the Internet on the TV, select the desired connection method and follow the instructions shown on the display.

- 9 Press ◀▶ to select "Yes", and then press **ENTER**.
- 10 Press ▲▼ to select "Wired" or "Wireless", and then press **ENTER**.

FRANÇAIS

Emplacement TV

Sélectionnez « Maison » ou « Magasin » comme emplacement d'installation du téléviseur. Ce produit est conforme à ENERGY STAR avec le réglage par défaut du mode Maison.

- 5 Appuyez sur ◀▶ pour sélectionner « Maison » ou « Magasin ».
Appuyez sur **ENTER** pour valider le réglage.

Antenne&câble/boîtier

Sélectionnez le type de connexion que vous utiliserez pour regarder la TV.

- 6 Appuyez sur ◀▶ pour sélectionner « Antenne&câble » ou « Boîtier décodeur », et appuyez ensuite sur **ENTER**.

Ant/Câble (Réglage de l'antenne)

Vérifiez le type de branchement qui est effectué avec votre téléviseur « Ant » ou « Câble ».

- 7 Appuyez sur ◀▶ pour sélectionner « Ant » ou « Câble ».
Appuyez sur **ENTER** pour valider le réglage.

Rech. Canal (Recherche des canaux)

Avec la recherche automatique des canaux, le téléviseur recherche tous les canaux visibles dans la région déterminée.

- 8 **Avec « Ant » sélectionné dans Réglage de l'antenne :**
Appuyez sur ◀▶ pour sélectionner « Début », et appuyez ensuite sur **ENTER**.

Smart TV

Lorsque vous vous connectez à Internet via le téléviseur, sélectionnez la méthode de connexion souhaitée et suivez les instructions apparaissant à l'écran.

- 9 Appuyez sur ◀▶ pour sélectionner « oui », et appuyez ensuite sur **ENTER**.
- 10 Appuyez sur ▲▼ pour sélectionner « À fil » ou « Sans fil », et appuyez ensuite sur **ENTER**.

ESPAÑOL

Ubicación TV

Seleccione "Casa" o "Tienda" según el lugar en el que va a instalar el televisor. Este producto cumple con ENERGY STAR en modo predeterminado de ajuste para Casa.

- 5 Pulse ◀▶ para seleccionar "Casa" o "Tienda".
Pulse **ENTER** para introducir el ajuste.

Antena & Cable/STB

Seleccione el tipo de conexión que utilizará para ver la televisión.

- 6 Pulse ◀▶ para seleccionar "Antena & Cable" o "Set-Top Box", y luego pulse **ENTER**.

Ant./Cable (Ajuste de antena)

Asegúrese de la clase de conexión que se hace con su televisor cuando se selecciona "Antena" o "Cable".

- 7 Pulse ◀▶ para seleccionar "Antena" o "Cable".
Pulse **ENTER** para introducir el ajuste.

Busq. Canal (Búsqueda de canales)

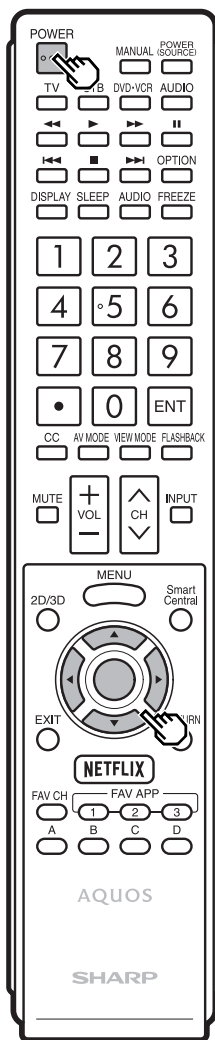
La búsqueda automática de canales hace que el televisor busque todos los canales que puedan verse en la zona establecida.

- 8 **Cuando "Antena" está seleccionado en el ajuste Antena:**
Pulse ◀▶ para seleccionar "Inicio", y luego pulse **ENTER**.

Smart TV

Cuando se conecte a Internet en el televisor, seleccione el método de conexión deseado y siga las instrucciones que aparecen en la pantalla.

- 9 Pulse ◀▶ para seleccionar "Sí", y luego pulse **ENTER**.
- 10 Pulse ▲▼ para seleccionar "Alámbrico" o "Inalámbrico", y luego pulse **ENTER**.



ENGLISH

Completed

11 The settings confirmation screen is displayed. Confirm the information displayed on the screen, and then press **ENTER**.

Examples of the settings confirmation screen



FRANÇAIS

Terminé

11 L'écran de confirmation des réglages est affiché. Confirmez les informations affichées à l'écran, et appuyez ensuite sur **ENTER**.

Exemples de l'écran de confirmation des réglages

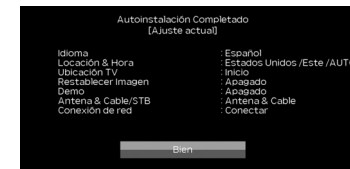


ESPAÑOL

Completado

11 Se visualiza la pantalla de confirmación de los ajustes. Confirme la información que se muestra en la pantalla y después pulse **ENTER**.

Ejemplos de la pantalla de confirmación de ajustes



Viewing the Built-in Operation Manual/Affichage du mode d'emploi intégré/Visualización del Manual de instrucciones integrado

ENGLISH

Viewing the Built-in Operation Manual

Press **MANUAL** on the remote control unit to display operation information on the screen.

To search for an item from the table of contents, and to search for a particular term and to find troubleshooting information, press **MANUAL** while watching the TV and then select the applicable item from the manual cover page that appears.

- 1 Press **MANUAL** while watching the TV.
This displays the built-in operation manual screen.
- 2 When you select contents, its page will be displayed.
- 3 You can turn over the page one by one for these arrow marks.

NOTE

- You can also display the built-in operation manual by selecting "Information" > "Manual" from the menu screen.
- When USB mode, Home Network mode, or Internet application is used, can not be displayed the built-in operation manual.

FRANÇAIS

Affichage du mode d'emploi intégré

Appuyez sur **MANUAL** de la télécommande pour afficher les informations de fonctionnement sur l'écran. Pour rechercher un élément dans la table des matières et pour rechercher un terme particulier et trouver des informations en vue du dépannage, appuyez sur **MANUAL** tout en regardant la télévision puis sélectionnez l'élément applicable sur la page de garde du manuel qui s'ouvre alors.

- 1 Appuyez sur **MANUAL** pendant que vous regardez la télévision.
Ceci affiche l'écran du manuel électronique.
- 2 Si vous sélectionnez un contenu, la page correspondante s'affiche.
- 3 Vous pouvez feuilleter les pages une par une à l'aide des boutons flèche.

REMARQUE

- Vous pouvez également afficher le mode d'emploi intégré en sélectionnant «Renseignements» > «Manual» dans l'écran menu.
- Le mode d'emploi intégré ne peut pas être utilisé en mode USB, en mode réseau ou lorsqu'une application Internet est utilisée.

ESPAÑOL

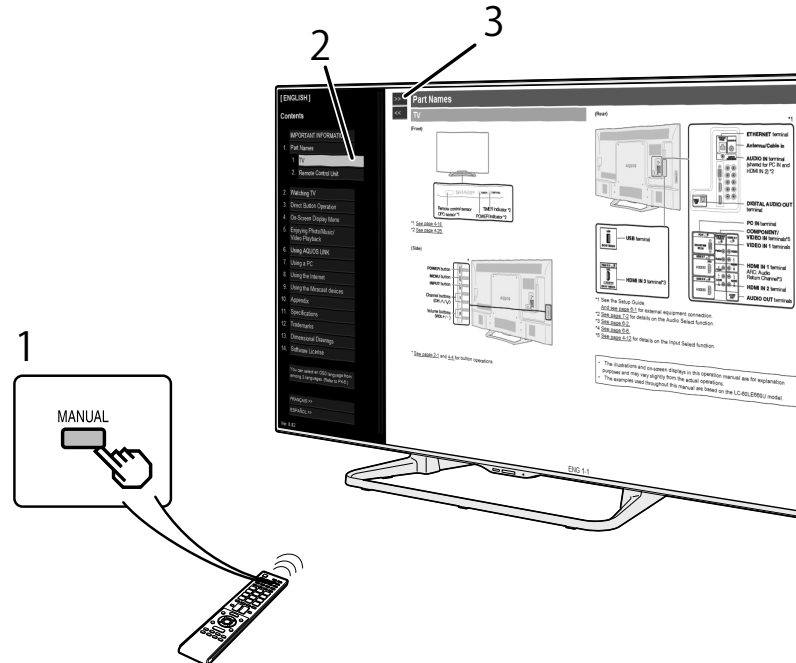
Visualización del Manual de instrucciones integrado

Pulse **MANUAL** en el control remoto para ver información sobre operaciones en la pantalla. Para buscar un elemento de índice o buscar un elemento en particular para obtener información sobre resolución de problemas, pulse **MANUAL** mientras ve la televisión, y luego seleccione el elemento correspondiente en la portada del manual que aparece.

- 1 Pulse **MANUAL** mientras ve la televisión.
Aparece el manual electrónico en pantalla.
- 2 Cuando seleccione un contenido, se mostrará la página correspondiente.
- 3 Puede pasar las páginas una a una con las flechas.

NOTA

- También puede ver el manual de instrucciones integrado seleccionando "Información" > "Manual" en la pantalla del menú.
- Cuando se utilice el modo USB, el modo Red doméstica o Aplicación de Internet, no podrá visualizar el manual de instrucciones integrado.



Using a PC/Utilisation d'un ordinateur/Usó de un PC

ENGLISH

Adjusting the PC Image

You can adjust the position of the image input a PC by selecting "Initial Setup" > "Input Settings" > "Fine Sync."

Fine Sync.

Ordinarily you can easily adjust the picture as necessary to change image position using "Auto Sync.". In some cases, however, manual adjustment is needed to optimize the image.

Input Signal: Select the input signal.

1024x768

1360x768

Auto Sync.: For automatically adjusting the PC image.

Yes : Auto Sync. starts and "Now adjusting the image." is displayed.

No : This function does not work.

H-Pos. : Centers the image by moving it to the left or right.

V-Pos. : Centers the image by moving it up or down.

Clock : Adjust when the image flickers with vertical stripes.

Phase : Adjust when characters have low contrast or when the image flickers.

NOTE

- Auto Sync. may fail if the computer image has low resolution, has unclear (black) edges, or is moved while executing "Auto Sync.".
- Be sure to connect the PC to the TV and switch it on before starting "Auto Sync.".
- It is not necessary to adjust the "Clock" or "Phase" when a digital signal is being input, so it cannot be selected.
- The default cursor position may not be in the center, because the screen position variable ranges may be asymmetrical.
- The screen position variable ranges depend on the View Mode or the signal type. The ranges can be seen on the position-setting screen.

FRANÇAIS

Ajustement de l'image d'un ordinateur

Vous pouvez ajuster la position de l'entrée d'image à partir d'un PC et les réglages avec «Configuration initiale» > «Réglages d'entrée» > «Sync.fine».

Réglage de Sync.fine

En temps normal, vous pouvez régler facilement l'image s'il est nécessaire de changer la position de l'image avec «Sync.Automat.». Dans certains cas, toutefois, un réglage manuel est nécessaire pour optimiser l'image.

Input Signal: Sélectionner le signal d'entrée

1024x768

1360x768

Réglage de Sync.Automat.: Pour régler automatiquement l'image de l'ordinateur.

oui : Sync. Automat. démarre et «Réglage de l'image.» s'affiche.

non : La fonction ne marche pas.

Pos.hori : Centre l'image en la déplaçant vers la gauche ou la droite.

Pos.vert : Centre l'image en la déplaçant de haut en bas.

Horloge : Ajustez lorsque l'image scintille avec des rayures verticales.

Phase : Ajustez lorsque les caractères ont de faibles contrastes ou que l'image scintille.

REMARQUE

- «Sync.Automat.» risque d'échouer si l'image de l'ordinateur est de faible résolution, a des bords indéfinis (noirs) ou bien est déplacée sans exécuter «Sync.Automat.».
- Veillez à brancher l'ordinateur sur le téléviseur et à le mettre sous tension avant de démarrer «Sync. Automat.».
- Il n'est pas nécessaire de régler «Horloge» ou «Phase» lorsqu'un signal numérique est reçu, pour qu'il ne puisse pas être sélectionné.
- Il est possible que le curseur ne soit pas positionné par défaut au centre de l'image, en raison de l'asymétrie des gammes de positionnement disponibles.
- Les plages de positionnement de l'image dépendent à la fois du Mode vue et du type de signal visualisé. Il est possible de les consulter à l'écran de configuration de la position de l'image.

ESPAÑOL

Ajuste de la imagen de PC

Puede ajustar la posición de la entrada de imagen desde un PC con "Configuración Inicial" > "Configuración de Entrada" > "Sinc. fino".

Sinc. fino

Normalmente, utilizando "Sinc. auto.", usted puede ajustar fácilmente la imagen según sea necesario para cambiar su posición. Sin embargo, en algunos casos, para optimizar la imagen será necesario hacer el ajuste manual.

Input Signal: Seleccione la señal de entrada.

1024x768

1360x768

Sinc. auto.: Para ajustar automáticamente la imagen de PC.

Sí : La sincronización automática empieza y se visualiza "Ajuste de la imagen".

No : No se realiza esta función.

Pos. H. : Centra la imagen moviéndola hacia la derecha o hacia la izquierda.

Pos. V. : Centra la imagen moviéndola hacia arriba o hacia abajo.

Reloj : Ajuste cuando la imagen parpadea con franjas verticales.

Fase : Ajuste cuando los caracteres tienen un contraste bajo o cuando la imagen parpadea.

NOTA

- "Sinc. auto." puede fallar si la imagen del PC tiene una resolución baja, tiene bordes poco claros (negros) o se mueve mientras "Sinc. auto." se ejecuta.
- Asegúrese de conectar el PC al televisor y encenderlo antes de iniciar "Sinc. auto.".
- No es necesario ajustar el "Reloj" o la "Fase" cuando se introduce una señal digital, por tanto no puede seleccionarse.
- La posición predeterminada del cursor podría no ser en el centro debido a que la gama variable de la posición de la pantalla podría ser asimétrica.
- Los rangos variables de posición de la pantalla dependen del Modo de Vista o del tipo de señal. Los rangos pueden visualizarse en la pantalla de ajuste de posición.

ENGLISH

Setting Audio Input

Audio Select

This function sets the terminal to output the computer audio. The adjustment items vary depending on the input source.

Select the input source corresponding to the terminal connected to the PC and then adjust the desired item.

To perform the operation, refer to "Initial Setup" > "Input Settings" > "Audio Select".

HDMI 2

HDMI2(Digital) : Select this when the TV and PC are connected using an HDMI-certified cable and audio is input via the same cable.

HDMI+Analog : Select this when the TV and PC are connected using an HDMI-certified cable and the audio is input via a Ø 3.5 mm stereo minijack.

NOTE

- When "Audio Select" is set to "HDMI+Analog", sound will not be produced if you use only an HDMI-certified cable to connect HDMI-compatible equipment. To produce sound, you should make an analog audio connection.
- If you want to connect HDMI-compatible equipment using only an HDMI-certified cable, set "Audio Select" to "HDMI2(Digital)".

FRANÇAIS

Réglage de l'entrée Audio

Sélection Audio

Cette fonction règle la prise pour qu'elle reproduise le son de l'ordinateur.

Les rubriques d'ajustement varient en fonction de la source d'entrée. Sélectionnez la source d'entrées correspondant à la prise raccordée à l'ordinateur et ajustez la rubrique de votre choix.

Pour effectuer cette opération ; consultez «Configuration initiale» > «Réglages d'entrée» > «Sélection Audio».

HDMI 2

HDMI2(numérique) : Sélectionnez ceci lorsque le téléviseur et l'ordinateur sont raccordés à l'aide d'un câble certifié HDMI et que le son est entré via le même câble.

HDMI + analogique : Sélectionnez ceci lorsque le téléviseur et l'ordinateur sont raccordés à l'aide d'un câble certifié HDMI et que le son est entré via une mini-prise stéréo Ø 3.5 mm.

REMARQUE

- Lorsque «Sélection Audio» est réglé sur «HDMI + analogique», le son n'est pas émis si vous utilisez uniquement un câble certifié HDMI pour raccorder un équipement compatible HDMI. Pour que le son soit émis, vous devez établir une connexion audio analogique.
- Si vous souhaitez raccorder à un équipement compatible HDMI uniquement à l'aide d'un câble certifié HDMI, réglez «Sélection Audio» sur «HDMI2(numérique)».

ESPAÑOL

Ajuste de la entrada de audio

Sel. audio

Esta función establece el terminal que va dar salida al audio del computador.

Los elementos de ajuste varían según la fuente de entrada.

Seleccione la fuente de entrada correspondiente al terminal conectado al PC y luego ajuste el elemento deseado.

Para realizar la operación, consulte "Configuración Inicial" > "Configuración de Entrada" > "Sel.audio".

HDMI 2

HDMI2(Digital) : Seleccione esto cuando el TV y el PC están conectados usando un cable certificado HDMI y la entrada de audio se realiza por medio del mismo cable.

HDMI+Análogo : Seleccione esto cuando el TV y el PC están conectados usando un cable de cable certificado HDMI y la entrada de audio se realiza por medio de un miniconector estéreo de 3,5 mm ø.

NOTA

- Cuando "Sel. audio" se establece en "HDMI+Análogo", no se obtendrá sonido si solo utiliza un cable certificado HDMI para conectar con el equipo compatible con HDMI. Para obtener sonido debe realizar una conexión analógica de audio.
- Si desea conectar un equipo compatible con HDMI utilizando solo un cable certificado HDMI, establezca "Sel. audio" en "HDMI2(Digital)".

ENGLISH

Control of the TV

- The TV can be controlled from a PC, control panels and other devices using the RS-232C or IP.
- Use a cross-type RS-232C cable, ETHERNET cable (commercially available) or wireless LAN for the connections.

NOTE

- This operation system should be used by a person who is accustomed to using computers.

AQUOS Remote Control

Set this function when operating the TV from equipment connected by LAN or wireless LAN. To perform the operation, refer to "Smart TV".

AQUOS Remote Control

When "AQUOS Remote Control" is selected, "Change" will be highlighted. Press **ENTER**.

Detailed Settings

Make the detailed settings (Login ID, password, etc.).

Follow the on-screen instructions to configure the settings.

FRANÇAIS

Commande du téléviseur

- Le téléviseur peut être commandé depuis un ordinateur, des panneaux de commande et d'autres périphériques à l'aide de RS-232C ou IP.
- Utilisez un câble RS-232C, un câble ETHERNET (disponible dans le commerce) ou LAN sans-fil pour les connexions.

REMARQUE

- Le système d'exploitation doit être utilisé par une personne familiarisée avec l'utilisation des ordinateurs.

Télécommande AQUOS

Configurez cette fonction lorsque vous utilisez le téléviseur depuis un appareil connecté par LAN ou LAN sans-fil. Pour effectuer cette opération, consultez «Smart TV».

Télécommande AQUOS

Si «Télécommande AQUOS» est sélectionnée, «Changer» sera surligné. Appuyez sur **ENTER**.

Réglages en détail

Définissez les réglages de détails (nom d'ouverture de session, mot de passe, etc.).

Suivez les instructions à l'écran pour configurer les réglages.

ESPAÑOL

Control del televisor

- El televisor puede controlarse desde un PC, los paneles de control y otros dispositivos utilizando el RS-232C o IP.
- Utilice un cable RS-232C de tipo cruzado, un cable ETHERNET (de venta en el comercio) o una LAN inalámbrica para las conexiones.

NOTA

- Este sistema de operación deberá ser utilizado por una persona acostumbrada a utilizar PCs.

Control Remoto AQUOS

Ajuste esta función cuando utilice el televisor desde equipos conectados por LAN o LAN inalámbrica. Para realizar la operación, consulte "Smart TV".

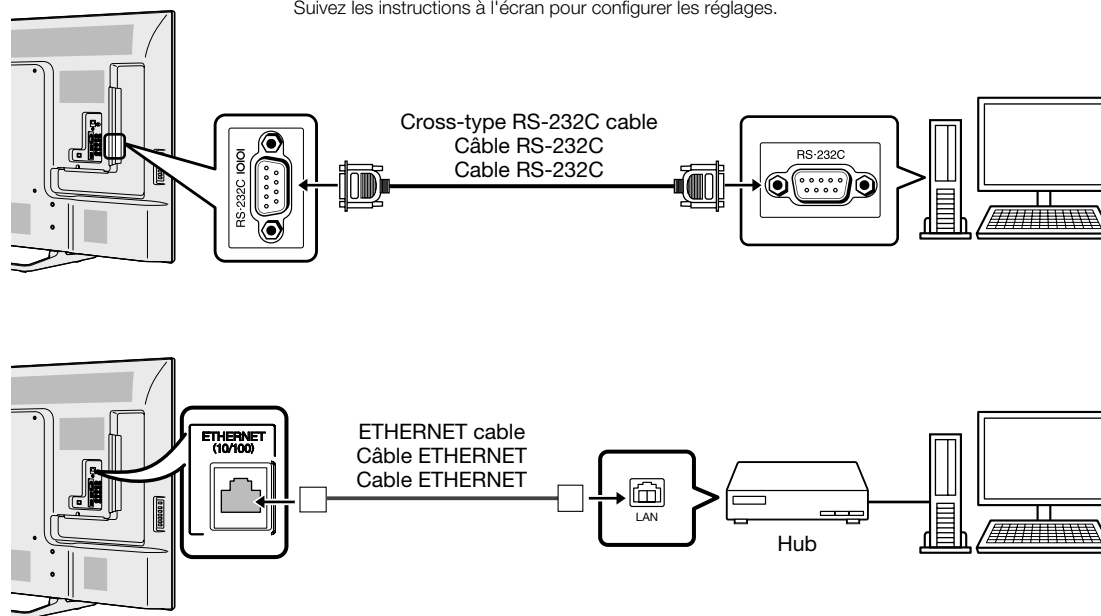
Control Remoto AQUOS

Cuando se selecciona "Control Remoto AQUOS", "Cambiar" aparecerá resaltado. Pulse **ENTER**.

Ajustes detallados

Ajuste los datos (nombre de usuario, contraseña de acceso, etc.).

Siga las instrucciones en pantalla para configurar los ajustes.



ENGLISH

Control of the TV

TV Name Setting

- Set the name of the TV displayed on other network devices.
Use the software keyboard to set the name.

Communication Conditions For RS-232C

Set the RS-232C communication settings on the PC to match the TV's communication conditions.

The TV's communication settings are as follows:

Baud rate:	9,600 bps
Data length:	8 bits
Parity bit:	None
Stop bit:	1 bit
Flow control:	None

Communication Conditions for the IP

Connect to the TV with the following settings made for IP on the PC

IP protocol:	TCP/IP
Host IP address:	Set the IP address on the TV menu
Service:	None (Do not select Telnet or SSH)
TCP port#:	Set a port number on the TV menu (Control port)

When you set your ID and password on the TV menu, you need to enter them as soon as you connect to the TV.

NOTE

- When you use this function, make settings for "AQUOS Remote Control".
- The connection will be cut off when there has been no communication for 3 minutes.

Communication Procedure

Send the control commands from the PC via the RS-232C or IP. The TV operates according to the received command and sends a response message to the PC.

Do not send multiple commands at the same time.

Wait until the PC receives the OK response before sending the next command.

FRANÇAIS

Commande du téléviseur

Réglage de nom de téléviseur

- Configurez le nom du téléviseur affiché sur les autres périphériques réseau.
Utilisez le clavier logiciel pour définir le nom.

Conditions de communication pour RS-232C

Ajustez les réglages de communications RS-232C de l'ordinateur pour qu'ils correspondent aux conditions de communication du téléviseur.

Les réglages de communication du téléviseur sont les suivants :

Débit en bauds :	9 600 bps
Longueur des données :	8 bits
Bit de parité :	Aucun
Bit d'arrêt :	1 bit
Commande de flux :	Aucune

Conditions de communication pour IP

Raccordez le téléviseur avec les réglages d'IP suivants pour l'ordinateur.

Protocole IP :	TCP/IP
Adresse IP de l'hôte :	Réglez l'adresse IP sur le menu du téléviseur
Service :	Aucun (Ne sélectionnez ni Telnet ni SSH)
N° port TCP :	Configurez un numéro de port sur le menu du téléviseur (port de commande)

Lorsque vous réglez vos ID et mot de passe dans le menu du téléviseur, vous devez les saisir dès que vous raccordez le téléviseur.

REMARQUE

- Lorsque vous utilisez cette fonction, faites les réglages pour «Télécommande AQUOS».
- La connexion est coupée s'il n'y a pas de communication pendant 3 minutes.

Procédure de communication

Envoyez les commandes de contrôle de l'ordinateur par RS-232C ou IP. Le téléviseur fonctionne conformément à la commande reçue et envoie un message de réponse à l'ordinateur.

N'envoyez pas plusieurs commandes à la fois.

Attendez que l'ordinateur reçoive la bonne réponse avant d'envoyer la commande suivante.

ESPAÑOL

Control del televisor

Ajustes para el Nombre de la TV

- Ajuste el nombre del televisor que se muestra en otros dispositivos de la red.
Utilice el teclado de software para ajustar el nombre.

Condiciones de comunicación para el RS-232C

Ajuste los ajustes de comunicación RS-232C en el PC para estar de acuerdo con las condiciones de comunicación del TV.

Los ajustes de comunicación del TV son los siguientes:

Velocidad de transmisión en baudios:	9,600 bps
Longitud de datos:	8 bits
Bit de paridad:	Ninguno
Bit de parada:	1 bit
Control de flujo:	Ninguno

Condiciones de comunicación para IP

Conéctese al televisor después de hacer los siguientes ajustes de IP en el PC.

Protocolo IP:	TCP/IP
Dirección IP de host:	Ajuste la dirección IP en el menú del televisor
Servicio:	Ninguno (No seleccione Telnet ni SSH)
N.º de puerto TCP:	Ajuste un número de puerto en el menú del televisor (puerto de control)

Cuando establezca su nombre de usuario y contraseña en el menú del televisor, deberá escribirlos en cuanto se conecte al televisor.

NOTA

- Cuando utilice esta función, haga los ajustes de "Control Remoto AQUOS".
- La conexión se cortará cuando no haya habido comunicación durante 3 minutos.

Procedimiento de comunicación

Envíe los comandos de control desde el PC vía RS-232C o IP. El televisor funciona según el comando recibido y envía un mensaje de respuesta al PC.

No envíe múltiples comandos al mismo tiempo.

Espere a que el PC reciba la respuesta de que todo está bien antes de enviar el siguiente comando.

ENGLISH

Control of the TV

Command format

Eight ASCII codes + CR

C1	C2	C3	C4	P1	P2	P3	P4	↵
----	----	----	----	----	----	----	----	---

Command 4-digits Parameter 4-digits Return code

Command 4-digits: Command. The text of four characters.

Parameter 4-digits: Parameter 0-9, x, blank, ?

Parameter

Input the parameter values, aligning left, and fill with blank(s) for the remainder. (Be sure that 4 values are input for the parameter.)

When the input parameter is not within an adjustable range, "ERR" returns. (Refer to "Response code format".)

Any numerical value can replace the "x" on the table.

0			
---	--	--	--

When "?" is input for some commands, the present setting

0	0	0	9
---	---	---	---

value

?			
---	--	--	--

responds.

?	?	?	?
---	---	---	---

-	3	0	
---	---	---	--

Response code format

Normal response

O	K	↵
---	---	---

Return code (ODH)

Problem response

(communication error or incorrect command)

E	R	R	↵
---	---	---	---

Return code (ODH)

FRANÇAIS

Commande du téléviseur

Format de commande

Huit codes ASCII + CR

C1	C2	C3	C4	P1	P2	P3	P4	↵
----	----	----	----	----	----	----	----	---

Commande à 4 chiffres Paramètre à 4 chiffres Code de retour

Commande à 4 chiffres : Commande un texte de quatre caractères.

Paramètre à 4 chiffres : Paramètre 0-9, x, espace, ?

Paramètre

Entrez les valeurs des paramètres, en alignant sur la gauche et remplissez avec des espaces pour le restant. (Veillez à entrer quatre valeurs pour le paramètre.)

Lorsque le paramètre d'entrée n'est pas dans une plage réglable, «ERR» réapparaît. (Reportez-vous à «Format de code de réponse».)

Toute valeur numérique peut remplacer le «x» dans le tableau.

0			
---	--	--	--

Lorsque «?» est entré pour certaines commandes, la valeur

0	0	0	9
---	---	---	---

de réglage

?			
---	--	--	--

actuelle

?	?	?	?
---	---	---	---

répond.

-	3	0	
---	---	---	--

Format de code de réponse

Réponse normale

O	K	↵
---	---	---

Code de retour (ODH)

Réponse au problème

(erreur de communication ou commande incorrecte)

E	R	R	↵
---	---	---	---

Code de retour (ODH)

ESPAÑOL

Control del televisor

Formato de comando

Ocho códigos ASCII + CR

C1	C2	C3	C4	P1	P2	P3	P4	↵
----	----	----	----	----	----	----	----	---

Comando de 4 dígitos Parámetro de 4 dígitos Código de retorno

Comando de 4 dígitos: Comando. El texto de cuatro caracteres.

Parámetro de 4 dígitos: Parámetro 0-9, x, en blanco, ?

Parámetro

Introduzca los valores de los parámetros, alineando a la izquierda, y rellene el resto con espacios en blanco. (Asegúrese de introducir cuatro valores para el parámetro.)

Quando el parámetro de entrada no se encuentre dentro de la gama ajustable retornará "ERR". (Consulte "Formato de código de respuesta".) Cualquier valor numérico puede ser reemplazado por una "x" en la tabla.

0			
---	--	--	--

Quando se Introduzca "?" para algunos comandos,

0	0	0	9
---	---	---	---

responderá

?			
---	--	--	--

el valor del ajuste actual.

?	?	?	?
---	---	---	---

-	3	0	
---	---	---	--

Formato de código de respuesta

Respuesta normal

O	K	↵
---	---	---

Código de respuesta (ODH)

Respuesta al problema

(error de comunicación o comando incorrecto)

E	R	R	↵
---	---	---	---

Código de respuesta (ODH)

Using a PC/Utilisation d'un ordinateur/Usó de un PC

Command table/Table des commandes/Tabla de comandos

ENGLISH

- Commands not indicated here are not guaranteed to operate.

FRANÇAIS

- Le fonctionnement des commandes qui ne sont pas indiquées ici n'est pas garanti.

ESPAÑOL

- Los comandos que no se indican aquí no garantizan la operación.

CONTROL ITEM		COMMAND				PARAMETER			CONTROL CONTENTS		Contenu de la commande		CONTENIDO DE CONTROL			
POWER ON COMMAND SETTING	R	S	P	W	0	-	-	-	Off	The Power On command rejected.	Arrêt	La commande de mise en marche est rejetée.	Apagado	La orden de encendido ha sido rechazada.		
					1	-	-	-	On [RS-232C]	The Power On command accepted. (For LE661U model only)	Marche [RS-232C]	La commande de mise en marche est acceptée. (Pour le modèle LE661U seulement.)	Encendido [RS-232C]	La orden de encendido ha sido aceptada. (Sólo para el modelo LE661U.)		
					2	-	-	-	On [IP]	The Power On command accepted.	Marche [IP]	La commande de mise en marche est acceptée.	Encendido [IP]	La orden de encendido ha sido aceptada.		
POWER SETTING		P	O	W	R	0	-	-	-	Power Off	It shifts to standby.	Mise hors tension	Pour passer en attente.	Alimentación desactivada	Cambia a espera.	
						1	-	-	-	Power On	Power On	Mise sous tension	Mise sous tension	Alimentación activada	Alimentación activada	
INPUT SELECTION	TOGGLE	I	T	G	D	x	-	-	-	(Toggle)	It input-switches by the toggle. (It is the same as an input change key.)	(Commutation)	Pour entrer-commuter par bascule. (identique à une touche de changement d'entrée)	(CONMUTACIÓN)	Introduce-cambia mediante conmutación. (Lo mismo que una tecla de cambio de entrada.)	
	TV	I	T	V	D	0	-	-	-		It input-switches to TV. (A channel remains as it is. (Last memory))		Pour entrer-commuter sur TV. (Le canal reste tel quel. (Dernière mémorisation))		Introduce-cambia a televisor. [Un canal permanece como está. (Memoria del último canal)]	
	1-6	I	A	V	D	*	-	-	-		1: HDMI IN1, 2: HDMI IN 2, 3: HDMI IN 3, 4: VIDEO IN 1, 5: COMPONENT/VIDEO IN 2, 6: PC IN	1: HDMI IN1, 2: HDMI IN 2, 3: HDMI IN 3, 4: VIDEO IN 1, 5: COMPONENT/VIDEO IN 2, 6: PC IN				
AV MODE SELECTION		A	V	M	D	*	*	*	-		0: (Toggle), 1: STANDARD (ENERGY STAR), 2: MOVIE, 4: USER, 5: DYNAMIC (Fixed), 6: DYNAMIC, 7: PC	0: (Commutation), 1: STANDARD (ENERGY STAR), 2: CINÉMA, 4: UTILISATEUR, 5: DYNAMIQUE (Fixe), 6: DYNAMIQUE, 7: PC	Bien que l'on puisse sélectionner immédiatement, le fonctionnement avec bascule est à l'intérieur.	0: (CONMUTACIÓN), 1: ESTÁNDAR(ENERGY STAR), 2: PELÍCULA, 4: USUARIO, 5: DINÁMICO(Fijo), 6: DINÁMICO, 7: PC	Aunque se puede elegir ahora, es una operación de conmutación en el interior.	
VOLUME		V	O	L	M	*	*	*	-		Volume (0-100)			VOLUMEN (0-100)		
POSITION	H-POSITION	H	P	O	S	*	*	*	-		(-50-50)	For PC input.	(-50-50)	Pour l'entrée PC.	(-50-50)	Para entrada de PC.
	V-POSITION	V	P	O	S	*	*	*	-		(-50-50)	The screen position variable ranges depend on the View Mode or the signal type. The ranges can be seen on the position-setting screen.	(-50-50)	Les plages de positionnement de l'image dépendent à la fois du Mode vue et du type de signal visualisé. Il est possible de les consulter à l'écran de configuration de la position de l'image.	(-50-50)	Los rangos variables de posición de la pantalla dependen del Modo de Vista o del tipo de señal. Los rangos pueden visualizarse en la pantalla de ajuste de posición.
	CLOCK	C	L	C	K	*	*	*	-		(0-100)		(0-100)		(0-100)	
	PHASE	P	H	S	E	*	*	*	-		(0-63)		(0-63)		(0-63)	
VIEW MODE		W	I	D	E	*	*	*	-		0: (Toggle) [AV], 1: Side Bar [AV], 2: S.Stretch [AV], 3: Zoom [AV], 4: Stretch [AV, USB-Vídeo, Home Network Video or Internet applications], 5: Normal [PC], 7: Stretch [PC], 8: Dot by Dot [PC] [AV], 9: Full Screen [AV], 10: Auto [USB- Video, USB-Photo, Home Network Video, Photo or Internet applications], 11: Original [USB-Video, USB-Photo, Home Network Video, Photo or Internet applications]	0: Although it can choose now, it is toggle operation in inside. 1: Only available when 4:3 signal is being input. 5: Only available when 4:3 signal is being input. 8: [PC] Available except when UXGA is being input. [AV] Only available when 1080i/p is being input. 9: Only available when 720p is being input. 10, 11: Available when USB-Video, USB-Photo, Home Network Video, Photo or Internet application is used.	0: (Commutation) [AV], 1: Barre Latérale [AV], 2: Allonge smart. [AV], 3: Zoom [AV], 4: Allonge [AV, USB-Vídeo, Réseau personnel vidéo ou Applications Internet], 5: Normal [PC], 7: Allonge [PC], 8: Pt par Pt [PC] [AV], 9: Plein Écran [AV], 10: Auto [USB-Vídeo, USB-Photo, Réseau personnel vidéo, Photo ou Applications Internet], 11: Original [USB-Vidéo, USB-Photo, Réseau personnel vidéo, Photo ou Applications Internet]	0: Bien que l'on puisse sélectionner immédiatement, le fonctionnement avec bascule est à l'intérieur. 1: Uniquement disponible lorsque le signal 4 : 3 est reçu. 5: Uniquement disponible lorsque le signal 4 : 3 est reçu. 8: [PC] Disponible sauf lorsque le signal 1080i/p est reçu. [AV] Uniquement disponible lorsque le signal 720p est reçu. 10, 11: Disponible lors de l'utilisation d'USB-Vidéo, USB-Photo, Réseau personnel vidéo, Photo ou application Internet.	0: (CONMUTACIÓN) [AV], 1: Barra Lateral [AV], 2: Alarga.S [AV], 3: Zoom [AV], 4: Alarga. [AV, USB-Vídeo, Vídeo de red casera, foto o Aplicaciones de Internet], 5: Normal [PC], 7: Alarga. [PC], 8: Punto x punto [PC] [AV], 9: Pantalla Completa [AV], 10: Auto [USB-Vídeo, USB-foto, Vídeo de red casera, foto o Aplicaciones de Internet], 11: Original [USB-Vídeo, USB-foto, Vídeo de red casera, foto o Aplicaciones de Internet]	0: Aunque se puede elegir ahora, es una operación de conmutación en el interior. 1: Disponible solamente cuando está introduciéndose señal 4:3. 5: Disponible solamente cuando está introduciéndose señal 4:3. 8: [PC] Disponible excepto cuando está introduciéndose UXGA. [AV] Disponible solamente cuando está introduciéndose 1080i/p. 9: Disponible solamente cuando está introduciéndose 720p. 10, 11: Disponible cuando se utiliza USB-Vídeo, USB-foto, Vídeo de red casera, foto o aplicación de Internet.
MUTE		M	U	T	E	*	-	-	-		0: (Toggle), 1: On, 2: Off	0: (Commutation), 1: Marche, 2: Arrêt	0: (CONMUTACIÓN), 1: Encendido, 2: Apagado			
SURROUND		A	C	S	U	*	-	-	-		0: (Toggle), 1: On, 2: Off	0: (Commutation), 1: Marche, 2: Arrêt	0: (CONMUTACIÓN), 1: Encendido, 2: Apagado			
AUDIO SELECTION		A	C	H	A	x	-	-	-		(Toggle)	(Commutation)	(CONMUTACIÓN)			
SLEEP TIMER		O	F	T	M	*	-	-	-		0: Off, 1: OFF TIMER - 30 MIN., 2: OFF TIMER - 60 MIN., 3: OFF TIMER - 90 MIN., 4: OFF TIMER - 120 MIN.	0: Arrêt, 1: Minut. Extinction - 30 min., 2: Minut. Extinction - 60 min., 3: Minut. Extinction - 90 min., 4: Minut. Extinction - 120 min.,	0: Apagado, 1: TEMPORIZADOR DE APAGADO - 30 m, 2: TEMPORIZADOR DE APAGADO - 60 m, 3: TEMPORIZADOR DE APAGADO - 90 m, 4: TEMPORIZADOR DE APAGADO - 120 m			

Using a PC/Utilisation d'un ordinateur/Usó de un PC

Command table/Table des commandes/Tabla de comandos

ENGLISH

- Commands not indicated here are not guaranteed to operate.

FRANÇAIS

- Le fonctionnement des commandes qui ne sont pas indiquées ici n'est pas garanti.

ESPAÑOL

- Los comandos que no se indican aquí no garantizan la operación.

CONTROL ITEM		COMMAND		PARAMETER		CONTROL CONTENTS		Contenu de la commande		CONTENIDO DE CONTROL					
CHANNEL	DIRECT CHANNEL (ANALOG)	D	C	C	H	*	*	*	-	The channel number of TV (1-135)	An input change is included if it is not TV display. In Air, 2-69ch is effective. In Cable, 1-135ch is effective.	Le numéro de canal du téléviseur (1-135)	Un changement d'entrée est inclus s'il n'y a pas d'affichage TV. Pour Ant., canal 2-69 est effectif. Pour Câble, canal 1-135 est effectif.	El número del canal del televisor (1-135)	Se incluye un cambio de entrada si no es visualización del televisor. Emisión del aire, son efectivos los canales 2-69. Emisión por cable, son efectivos los canales 1-135.
	DIRECT CHANNEL (DIGITAL)	D	A	2	P	*	*	*	*	(0100-9999)	DIGITAL Air (Two-Part numbers, 2-digit plus 2-digit)	(0100-9999)	Ant. numérique (Numéros en 2 parties, 2 chiffres plus 2 chiffres)	(0100-9999)	DIGITAL Ant. (números de dos partes, 2 dígitos más 2 dígitos)
		D	C	2	U	*	*	*	-	(1-999)	DIGITAL Cable (Two-Part numbers, 3-digit plus 3-digit) Front half of DIGITAL CABLE CHANNEL NO. (Designate major channel)	(1-999)	Câble numérique (Numéros en 2 parties, 3 chiffres plus 3 chiffres) Première partie du no. de canal câble numérique (Désigner le canal supérieur)	(1-999)	DIGITAL Cable (números de dos partes, 3 dígitos más 3 dígitos) Mitad delantera de DIGITAL CABLE CHANNEL NO. (Designación de canal principal)
		D	C	2	L	*	*	*	-	(0-999)	DIGITAL Cable (Two-Part numbers, 3-digit plus 3-digit) Rear half of DIGITAL CABLE CHANNEL NO. (Designate minor channel)	(0-999)	Câble numérique (Numéros en 2 parties, 3 chiffres plus 3 chiffres) Deuxième partie du no. de canal câble numérique (Désigner le canal inférieur)	(0-999)	DIGITAL Cable (números de dos partes, 3 dígitos más 3 dígitos) Mitad trasera de DIGITAL CABLE CHANNEL NO. (Designación de canal secundario)
CHANNEL	DIRECT CHANNEL (DIGITAL)	D	C	1	0	*	*	*	*	(0-9999)	DIGITAL Cable (One-Part numbers, 5- digit, less than 10,000)	(0-9999)	Câble numérique (Numéros en 1 partie, 5 chiffres, inférieur à 10 000)	(0-9999)	DIGITAL Cable (números de una parte, 5 dígitos, menos de 10.000)
		D	C	1	1	*	*	*	*	(0-6383)	DIGITAL Cable (One-Part numbers, 5- digit, more than 10,000)	(0-6383)	Câble numérique (Numéros en 1partie, 5 chiffres, supérieur à 10 000)	(0-6383)	DIGITAL Cable (números de una parte, 5 dígitos, más de 10.000)
	CH UP	C	H	U	P	x	-	-	-	The channel number of TV +1	If it is not TV display, it will input-switch to TV. (same function as CH ▲)	Le numéro de canal du téléviseur +1	S'il n'y a pas d'affichage TV, entre-commute sur TV. (même fonction que CH ▲)	El número del canal del televisor +1	Si no es visualización del televisor, se introducirá-cambiará a televisor. (las mismas funciones que CH ▲)
	CH DOWN	C	H	D	W	x	-	-	-	The channel number of TV -1	If it is not TV display, it will input-switch to TV. (same function as CH ▼)	Le numéro de canal du téléviseur -1	S'il n'y a pas d'affichage TV, entre-commute sur TV. (même fonction que CH ▼)	El número del canal del televisor -1	Si no es visualización del televisor, se introducirá-cambiará a televisor. (las mismas funciones que CH ▼)
CC	C	L	C	P	x	-	-	-	(Toggle)	Toggle operation of a closed caption.	(Commutation)	Fonctionnement par bascule des sous-titres	(CONMUTACIÓN)	Operación de conmutación de un subtítulo oculto.	
DEVICE NAME	T	V	N	M	1	-	-	-		The device name set in "TV Name Setting" is displayed.		Le nom du périphérique configuré dans «Réglage de nom de téléviseur» s'affiche.		Se muestra el nombre del dispositivo establecido en "Ajustes para el Nombre de la TV".	
MODEL NAME	M	N	R	D	1	-	-	-		The model name of the TV		Le nom du modèle du téléviseur		El nombre del modelo del televisor	
SOFTWARE VERSION	S	W	V	N	1	-	-	-		The current version of the TV software is displayed.		La version actuelle du logiciel du téléviseur s'affiche.		Se muestra la versión actual del software del televisor.	
IP PROTOCOL VERSION	I	P	P	V	1	-	-	-		The currently supported version of IP protocol is displayed.		La version actuellement prise en charge du protocole IP s'affiche.		Se muestra la versión del protocolo IP compatible actualmente.	
REMOTE CONTROL BUTTONS	R	C	K	Y	*	*	-	-		0-9: 0-9, 10: DOT, 11: ENT, 12: POWER, 13: DISPLAY, 14: POWER (SOURCE) 15: ◀◀, 16: ▶▶, 17: ▶▶, 18: ■■, 19: ◀◀, 20: ■■, 21: ▶▶▶, 23: OPTION, 24: SLEEP, 27: CC, 28: AV MODE, 29: VIEW MODE, 30: FLASHBACK, 31: MUTE, 32: VOL -, 33: VOL +, 34: CH ▲, 35: CH ▼, 36: INPUT, 38: MENU, 39: SmartCentral, 40: ENTER, 41: ▲, 42: ▼, 43: ◀, 44: ▶, 45: RETURN, 46: EXIT, 47: FAV CH, 49: AUDIO, 50: A (red), 51: B (green), 52: C (blue), 53: D (yellow), 54: FREEZE, 55: FAV APP 1, 56: FAV APP 2, 57: FAV APP 3, 59: NETFLIX, 60: AAL, 61: MANUAL	0-9: 0-9, 10: POINT, 11: ENT, 12: POWER, 13: DISPLAY, 14: POWER (SOURCE) 15: ◀◀, 16: ▶▶, 17: ▶▶, 18: ■■, 19: ◀◀, 20: ■■, 21: ▶▶▶, 23: OPTION, 24: SLEEP, 27: CC, 28: AV MODE, 29: VIEW MODE, 30: FLASHBACK, 31: MUTE, 32: VOL -, 33: VOL +, 34: CH ▲, 35: CH ▼, 36: INPUT, 38: MENU, 39: SmartCentral, 40: ENTER, 41: ▲, 42: ▼, 43: ◀, 44: ▶, 45: RETURN, 46: EXIT, 47: FAV CH, 49: AUDIO, 50: A (rouge), 51: B (vert), 52: C (bleu), 53: D (jaune), 54: FREEZE, 55: FAV APP 1, 56: FAV APP 2, 57: FAV APP 3, 59: NETFLIX, 60: AAL, 61: MANUAL	0-9: 0-9, 10: PUNTO, 11: ENT, 12: POWER, 13: DISPLAY, 14: POWER (SOURCE) 15: ◀◀, 16: ▶▶, 17: ▶▶, 18: ■■, 19: ◀◀, 20: ■■, 21: ▶▶▶, 23: OPTION, 24: SLEEP, 27: CC, 28: AV MODE, 29: VIEW MODE, 30: FLASHBACK, 31: MUTE, 32: VOL -, 33: VOL +, 34: CH ▲, 35: CH ▼, 36: INPUT, 38: MENU, 39: SmartCentral, 40: ENTER, 41: ▲, 42: ▼, 43: ◀, 44: ▶, 45: RETURN, 46: EXIT, 47: FAV CH, 49: AUDIO, 50: A (rojo), 51: B (verde), 52: C (azul), 53: D (amarillo), 54: FREEZE, 55: FAV APP 1, 56: FAV APP 2, 57: FAV APP 3, 59: NETFLIX, 60: AAL, 61: MANUAL			

NOTE

- If an underbar (_) appears in the parameter column, enter a space.
- If an asterisk (*) appears, enter a value in the range indicated in brackets under CONTROL CONTENTS.
- Any numerical value can replace the "x" on the table.

REMARQUE

- Lorsqu'un tiret de soulignement (_) est indiqué dans la colonne des paramètres, entrez un espace.
- Lorsqu'un astérisque (*) est indiqué, entrez une valeur dans la plage indiquée entre parenthèses dans Contenu de la commande.
- Tant que le paramètre (x) dans le tableau est une valeur numérique, tout peut être écrit.

NOTA

- Si aparece un subrayado (_) en la columna de los parámetros, introduzca un espacio.
- Si aparece un asterisco (*), introduzca un valor dentro de la gama indicada entre paréntesis bajo CONTENIDO DE CONTROL.
- Siempre que el parámetro (x) de la tabla sea un valor numérico, éste puede escribir cualquier cosa.

Troubleshooting/Guide de dépannage/Solución de problemas

ENGLISH

Problem	Possible Solution
<ul style="list-style-type: none"> No power 	<ul style="list-style-type: none"> Check if you pressed POWER on the remote control unit. ➔ Page 20. Is the AC cord disconnected? ➔ Page 19. Has the power been turned on? ➔ Page 20.
<ul style="list-style-type: none"> Remote control unit does not operate. 	<ul style="list-style-type: none"> Are batteries inserted with polarity (+, -) aligned? ➔ Page 21.
<ul style="list-style-type: none"> No picture 	<ul style="list-style-type: none"> Is connection to other components correct? ➔ Page 22 to 27.
<ul style="list-style-type: none"> No sound 	<ul style="list-style-type: none"> Is connection to other components correct? ➔ Page 22 to 27.

FRANÇAIS

Problème	Solution possible
<ul style="list-style-type: none"> Appareil hors tension 	<ul style="list-style-type: none"> Vérifiez si vous avez appuyé sur le bouton marche (POWER) de la télécommande. ➔ Page 20. Le câble secteur est-il débranché ? ➔ Page 19. L'alimentation a-t-elle été activée ? ➔ Page 20.
<ul style="list-style-type: none"> La télécommande ne fonctionne pas. 	<ul style="list-style-type: none"> Les piles sont-elles insérées avec la polarité (+, -) requise ? ➔ Page 21.
<ul style="list-style-type: none"> Aucune image 	<ul style="list-style-type: none"> La connexion avec les autres composants est-elle correcte ? ➔ Page 22 à 27.
<ul style="list-style-type: none"> Absence de son 	<ul style="list-style-type: none"> La connexion avec les autres composants est-elle correcte ? ➔ Page 22 à 27.

ESPAÑOL

Problema	Posible solución
<ul style="list-style-type: none"> No hay alimentación eléctrica 	<ul style="list-style-type: none"> Compruebe si ha pulsado POWER en el control remoto. ➔ Página 20. ¿Está desconectado el cable de CA? ➔ Página 19. ¿Se ha conectado la alimentación? ➔ Página 20.
<ul style="list-style-type: none"> El control remoto no funciona. 	<ul style="list-style-type: none"> ¿Se han insertado las baterías con la polaridad (+, -) alineada? ➔ Página 21.
<ul style="list-style-type: none"> No hay imagen 	<ul style="list-style-type: none"> ¿Está correcta la conexión a otros componentes? ➔ Páginas 22 a 27.
<ul style="list-style-type: none"> No hay sonido 	<ul style="list-style-type: none"> ¿Está correcta la conexión a otros componentes? ➔ Páginas 22 a 27.

CLEAR THE SECRET NUMBER

If you forget the secret number, clear the secret number using the following the procedure.

- 1 Select the "Initial Setup" > "Individual Setup" > "Secret No."
- 2 You can reconfigure the secret number by entering "9999".

NOTE

- As a precautionary measure, make a note of your secret number above, and keep it in a safe place.

The secret number is

--	--	--	--

EFFACER LE NUMÉRO SECRET

Si vous avez oublié votre numéro secret, effacez-le en procédant comme suit.

- 1 Sélectionnez "Configuration initiale" > "Configuration individuelle" > "No. secret"
- 2 Vous pouvez reconfigurer le numéro secret en entrant «9999».

REMARQUE

- Par mesure de précaution, notez votre numéro secret ci-dessus, et conservez-le dans un endroit sûr.

Le numéro secret est

--	--	--	--

BORRADO DEL NÚMERO SECRETO

Si olvida el número secreto, borre el número secreto usando el siguiente procedimiento.

- 1 Seleccione "Configuración Inicial" > "Ajuste Individual" > "No. secreto"
- 2 Puede volver a configurar el número secreto mediante la introducción de "9999".

NOTA

- Como medida de precaución, anote más arriba su número secreto, y guárdelo en un lugar seguro.

El número secreto es

--	--	--	--

SHARP®

LIMITED WARRANTY

Consumer Electronics Products

Congratulations on your purchase!

Sharp Electronics of Canada Ltd. ("Sharp") warrants to the first purchaser for this Sharp brand product ("Product"), when shipped in its original container and sold or distributed in Canada by Sharp or by an authorized Sharp dealer, and Product was not sold "as is" or "sales final" that the Product will during the applicable warranty period, be free from defects in material and workmanship, and will within the applicable warranty period, either repair the defective Product or provide the first purchaser a replacement of the defective Product.

Conditions: This limited warranty shall not apply to:

- Any defects caused or repairs required as a result of abusive operation, negligence, accident, improper installation or inappropriate use as outlined in the owner's manual or other applicable Product documentation.
- Any defects caused or repairs required as a result of any Product that has been tampered with, modified, adjusted or repaired by any person other than Sharp, a Sharp authorized service centre or a Sharp authorized servicing dealer.
- Any defects caused or repairs required as a result of the use of the Product with items not specified or approved by Sharp, including but not limited to, head cleaning tapes and chemical cleaning agents.
- Any replacement of accessories, glassware, consumable or peripheral items required through normal use of the Product, including but not limited to, earphones, remote controls, AC adapters, batteries, cables.
- Any cosmetic damage to the Product surface or exterior that has been defaced or caused by normal wear and tear.
- Any defects caused or repairs required as a result of damage caused by any external or environmental conditions, including but not limited to, transmission line/power line voltage or liquid spillage or acts of God.
- If the serial number or model number affixed to Product has been removed, defaced, changed, altered or tampered with.
- Any installation, delivery, setup and/or programming charges

How to get service: Warranty service may be obtained upon delivery of the Product, together with proof of purchase (including date of purchase) and a copy of this limited warranty statement, to an authorized Sharp service centre or an authorized Sharp servicing dealer. In home warranty service will be carried out to locations accessible by on-road service vehicle and within 50 km of an authorized Sharp service centre on any Sharp Television with the screen size of 42" or larger. The servicier may if necessary take the unit for repair at the servicier's facility. No other person (including any Sharp dealer or service centre) is authorized to extend, enlarge or transfer this warranty on behalf of Sharp. The purchaser will be responsible for any and all removal, reinstallation, transportation and insurance costs incurred.

The express warranties in this limited warranty are, except for consumer purchasers domiciled in Quebec, in lieu of and, except to the extent prohibited by applicable law, Sharp disclaims all other warranties and conditions, express or implied, whether arising by law, statute, by course of dealing or usage of trade, including, without limitation, implied warranties or conditions of merchantability and/or quality, fitness for a particular use or purpose, and/or non-infringement. **Limitations** (not applicable to consumer purchasers domiciled in Quebec to the extent prohibited under Quebec law): (a) Sharp shall not be liable for any incidental, special, consequential, economic, exemplary or indirect damages of any kind or nature (including lost profits or damages for loss of time or loss of use or loss of data) arising from or in any connection with the use or performance of a Product or a failure of a Product, even if Sharp is aware of or has been advised of the possibility of such damages; (b) the remedies described in this limited warranty constitute complete fulfillment of all obligations and responsibilities of Sharp to the purchaser with respect to the Product and shall constitute full satisfaction of all claims, whether based on contract, negligence, strict liability or otherwise. Some provinces may not allow the exclusion or limitation of certain damages, or limits on the duration or voiding of implied warranties or conditions; in such provinces, the exclusions and limits herein may not apply. This limited warranty is, except for consumer purchasers domiciled in Quebec, governed by the laws of the Province in Canada in which the purchaser has purchased the Product. For consumer purchasers domiciled in Quebec this limited warranty is governed by the laws of Quebec.

WARRANTY PERIODS (calculated from the date of original purchase): Parts & Labour (exceptions noted)

LCD/LED TV 3 years

To obtain the name and address of the nearest Authorized Sharp Service Centre or Dealer, or for more information on this Limited Warranty, Sharp Extended Warranty Offers, Sharp Canada Products or Accessory Sales, please contact Sharp:

- By writing to Sharp Electronics Of Canada Ltd. at 335 Britannia Road East Mississauga, Ontario L4Z 1W9
- Calling: at 905-568-7140
- Visiting our Web site: www.sharp.ca



THIS LIMITED WARRANTY IS VALID ONLY IN CANADA

SHARP®

GARANTIE LIMITÉE

Électronique grand public

Bravo! Vous venez de faire un excellent achat!

Sharp Électronique du Canada Ltée (« Sharp ») garantit à l'acheteur initial de ce produit de marque Sharp (le « produit ») que, s'il est emballé dans son contenant original et s'il n'est vendu ou distribué au Canada par Sharp ou par un détaillant autorisé Sharp, et s'il n'a pas été vendu « tel quel » ou s'il ne s'agissait pas d'une « vente ferme », le produit est exempt de défaut de fabrication et de vice de matériau pour la période de garantie stipulée et s'engage auprès de l'acheteur initial et durant ladite période à réparer la défectuosité ou à remplacer le produit défectueux.

Conditions : La présente garantie limitée ne s'applique pas :

- Aux dommages causés ou aux réparations requises sur les appareils qui ont fait l'objet d'un emploi abusif, de négligence, d'un accident, d'une installation inadéquate ou d'une utilisation non appropriée, tel qu'il est mentionné dans le manuel du propriétaire ou dans toute autre documentation applicable sur le produit;
- Aux dommages causés ou aux réparations requises sur les produits Sharp trafiqués, modifiés, réglés ou réparés par une entité autre que Sharp, un centre agréé de service Sharp ou un détaillant autorisé au service Sharp;
- Aux dommages causés ou aux réparations requises à la suite de l'utilisation du produit avec des articles non désignés ou approuvés par Sharp, y compris, mais sans en être limité, des rubans pour nettoyage de tête et des agents de nettoyage chimiques;
- Au remplacement des accessoires, des pièces en verre, des articles consommables ou des périphériques, devenu nécessaire à la suite d'une utilisation normale du produit, y compris, mais sans en être limité, les écouteurs, les télécommandes, les adaptateurs c.a., les piles et les câbles;
- Aux défauts cosmétiques à la surface ou au boîtier extérieur du produit, et qui sont attribuables à la détérioration ou à l'usure résultant d'un usage normal.
- Aux défectuosités causées ou aux réparations requises à la suite de dommages causés par des conditions extérieures et relatives à l'environnement, y compris, mais sans en être limité, une tension de la ligne électrique ou de transmission trop élevée, du liquide répandu ou une catastrophe naturelle;
- Si le numéro de série ou de modèle indiqué sur le produit a été enlevé, maquillé, modifié, altéré ou trafiqué;
- Aux coûts d'installation, de livraison, de configuration et (ou) de programmation.

Pour obtenir un service après-vente : La réparation sous garantie est offerte à la condition que le produit Sharp soit livré avec la preuve d'achat (sur laquelle est indiquée la date d'achat) et une copie de la présente garantie limitée à un centre agréé de service Sharp ou chez un détaillant autorisé au service Sharp. La réparation sur place sous garantie sera effectuée aux endroits accessibles par véhicule routier et situés à moins de 50 km d'un centre agréé de service Sharp sur tout téléviseur Sharp doté d'un écran de 42 po ou plus. Le technicien peut, au besoin, ramener l'appareil à son atelier pour en faire la réparation. Aucune autre entité (y compris les détaillants et les centres de service Sharp) n'est autorisée à prolonger la durée de la garantie, à fournir des garanties autres ou à transférer cette garantie au nom de Sharp. L'acheteur doit assumer les coûts de démontage, de réinstallation, de transport et d'assurance de l'appareil.

Les garanties expresses de la présente garantie limitée remplacent, sauf pour les consommateurs-acheteurs domiciliés au Québec, et Sharp décline, à l'exception des cas où la loi en vigueur l'interdit, toutes les autres garanties et conditions, expresses ou implicites, découlant de la loi, d'un règlement, de la conduite habituelle ou de l'usage du commerce, y compris, mais sans en être limité, les garanties ou les conditions implicites de qualité marchande et d'adaptabilité à une utilisation ou à une fin particulière, et/ou d'absence de contrefaçon. **Limites** (non applicables aux consommateurs-acheteurs domiciliés au Québec, dans la mesure où la loi en vigueur au Québec l'interdit) : a) Sharp ne sera en aucun cas responsable des dommages accessoires, spéciaux, consécutifs, économiques, exemplaires ou indirects de quelque type ou nature que ce soit (y compris la perte de profits ou les dommages par suite de la perte de temps, d'utilisation ou de données) découlant de l'utilisation ou du rendement d'un produit ou de la défectuosité d'un produit, même si Sharp est informé ou a été avisé de la possibilité de tels dommages; b) les recours mentionnés dans la présente garantie limitée constituent l'exécution intégrale de toutes les obligations et responsabilités de Sharp envers l'acheteur à l'égard du produit et constituera la satisfaction entière de toutes les réclamations, qu'elles soient en fonction d'un contrat, d'une négligence, d'une responsabilité stricte ou autrement. Dans certaines provinces, il est interdit d'exclure ou de limiter l'application de certains dommages ou de certaines limites sur la durée ou l'annulation de certaines garanties ou conditions implicite. Par conséquent, dans ces provinces, les exclusions et les limites indiquées aux présentes peuvent ne pas s'appliquer. La présente garantie limitée est, sauf pour les consommateurs-acheteurs domiciliés au Québec, régie par les lois de la province canadienne dans laquelle l'acheteur a acquis le produit. Pour les consommateurs-acheteurs domiciliés au Québec, la présente garantie limitée est régie par les lois du Québec.

PÉRIODES DE GARANTIE (calculées à partir de la date d'achat originale) : Pièces et main-d'œuvre (exceptions relevées)

TV ACL/DEL 3 ans

Pour connaître le nom et l'adresse du détaillant autorisé au service ou du centre agréé de service Sharp le plus près, ou pour obtenir davantage de renseignements sur la présente garantie limitée, sur les offres de garantie prolongée de Sharp ou sur les ventes de produits ou d'accessoires Sharp, veuillez communiquer avec Sharp :

- En écrivant à Sharp Électronique du Canada Ltée, 335 Britannia Road East, Mississauga (Ontario) L4Z 1W9
- En appelant au 905-568-7140
- En visitant notre site Web : www.sharp.ca



CETTE GARANTIE LIMITÉE EST VALIDE UNIQUEMENT AU CANADA.

Calling for Service

For location of the nearest Sharp Authorized Service, or to obtain product literature, accessories, supplies, or customer assistance, please call 1-877-PRO-ADV1 (1-877-776-2381).

LIMITED WARRANTY

CONSUMER LIMITED WARRANTY

SHARP ELECTRONICS CORPORATION warrants to the first consumer purchaser that this Sharp brand Liquid Crystal Display product (the "Product"), when shipped in its original container, will be free from defective workmanship and materials, and agrees that it will, at its option, either repair the defect or replace the defective Product or part thereof with a new or remanufactured equivalent at no charge to the purchaser for parts or labor for the period(s) set forth below.

This warranty does not apply to any appearance items of the Product or if the serial number or model number affixed to the Product has been removed, defaced, changed, altered or tampered with. This warranty does not cover installation or signal reception problems. This limited warranty will not apply if the Product has been or is being used in a commercial setting or application; this warranty is meant solely for the non-commercial, household use of the Product by consumers in their home or residence. If you intend to or already use this Product for commercial purposes or in a commercial setting, there are warranties available to cover your use of this Product, the terms of which may vary. Please contact **1-877-PRO-ADV1 (1-877-776-2381)** for further information.

In order to enforce your rights under this limited warranty, you should follow the steps set forth below. You must be able to provide proof of purchase to the servicer, which proof must include the date of purchase.

To the extent permitted by applicable state law, the warranties set forth are in lieu of, and exclusive of, all other warranties, express or implied. Specifically ALL OTHER WARRANTIES OTHER THAN THOSE SET FORTH ABOVE ARE EXCLUDED, ALL EXPRESS AND IMPLIED WARRANTIES INCLUDING THE WARRANTIES OF MERCHANTABILITY, FITNESS FOR USE, AND FITNESS FOR A PARTICULAR PURPOSE ARE SPECIFICALLY EXCLUDED. IF, UNDER APPLICABLE STATE LAW, IMPLIED WARRANTIES MAY NOT VALIDLY BE DISCLAIMED OR EXCLUDED, THE DURATION OF SUCH IMPLIED WARRANTIES IS LIMITED TO THE PERIOD(S) FROM THE DATE OF PURCHASE SET FORTH BELOW. THIS WARRANTY GIVES YOU SPECIFIC LEGAL RIGHTS. YOU MAY ALSO HAVE OTHER RIGHTS WHICH VARY FROM STATE TO STATE.

The warranties given herein shall be the sole and exclusive warranties granted by Sharp and shall be the sole and exclusive remedy available to the purchaser and only for the time periods set forth herein. No other representations or promises made by anyone are permitted. Correction of defects, in the manner and for the period of time described herein, shall constitute complete fulfillment of all liabilities and responsibilities of Sharp to the purchaser with respect to the Product, and shall constitute full satisfaction of all claims, whether based on contract, negligence, strict liability or otherwise. Sharp does not warrant nor shall Sharp be liable, or in any way responsible, for Products which have been subject to abuse (including, but not limited to, improper voltage), accident, misuse, negligence, lack of reasonable care, alteration, modification, tampering, misuse, improper operation or maintenance or any damages or defects in the Product which were caused by repairs or attempted repairs performed by anyone other than a Sharp authorized servicer. Nor shall Sharp be liable or in any way responsible for any incidental or consequential economic or property damage. Some states do not allow limits on warranties or on remedies for breach in certain transactions; in such states, the limits herein may not apply.

THIS LIMITED WARRANTY IS VALID ONLY IN THE FIFTY (50) UNITED STATES, THE DISTRICT OF COLUMBIA AND PUERTO RICO.

Model Specific Section

Your Product Model Number & Description: LC-70LE661U/LC-60LE661U
LCD Color Television
(Be sure to have this information available when you need service for your Product.)

Warranty Period for this Product: Three (3) years parts and labor from the date of purchase.

Additional Exclusions from Warranty Coverage (if any): In order for the Product to be serviced, the Product must be readily available to the servicer, free and clear of any complex or non-standard installation, mounting or other encumbrance which would unreasonably interfere with servicing the Product. The Servicer will remount the Product after service, provided that such remounting is not into a complex or non-standard installation. Any additional labor and materials required to remove and/or reinstall a Product above and beyond the foregoing are not covered by this warranty, may result in additional charges and are the responsibility of the consumer. Image Retention resulting from a fixed image being displayed for long periods of time is not covered by this Limited Warranty (see Operation Manual on how to prevent this).

Where to Obtain Service: From a Sharp Authorized Servicer located in the United States. To find the location of the nearest Sharp Authorized Servicer, please call Sharp toll free at 1-877-PRO-ADV1 (1-877-776-2381).

What to do to Obtain Service: Contact your Sharp Authorized Servicer to obtain in home service for this product. The Servicer will come to your location and if necessary remove the unit for repair at the Servicer's facility and return the set to you once completed. Be sure to have Proof of Purchase available.

TO OBTAIN PRODUCT INFORMATION OR PURCHASE ACCESSORIES AND EXTENDED WARRANTIES, CALL
1-877-PRO-ADV1 (1-877-776-2381)
OR VISIT <http://sica.sharpsusa.com>

SHARP[®]
SHARP CORPORATION

Printed in Mexico
Imprimé au Mexique
Impreso en México
TINS-G401WJZZ
15P02-MX-NI