

ASSEMBLY INSTRUCTIONS

Elevate™ II

Single Surface Table

MoveMore™ Collection



Product	Part#
Elevate II Basic 48w 23.5d	MVAS48SS/xx
Elevate II Basic 48w 29d	MVAD48SS/xx
Elevate II Plus 48w 23.5d	MVBS48SS/xx
Elevate II Plus 48w 29d	MVBD48SS/xx

Product	Part#
Elevate II Basic 60w 23.55d	MVAS60SS/xx
Elevate II Basic 60w 29d	MVAD60SS/xx
Elevate II Plus 60w 23.5d	MVBS60SS/xx
Elevate II Plus 60w 29d	MVBD60SS/xx



ANTHRO
Technology Furniture®
– Fast and Friendly!

Anthro Corporation® | 10450 SW Manhasset Dr. | Tualatin, OR 97062
Toll-free: 800.325.3841 | Fax: 800.325.0045 | email: sales@anthro.com | anthro.com
Outside the U.S. | Tel: 503.691.2556 | Fax: 503.691.2409

Rev E, November 2014

Certification: Elevate II is certified by ETL to UL962 standard for Commercial and Household furnishings.



Anthro Corporation – Where technology meets comfort®.

IMPORTANT SAFETY INSTRUCTIONS

When using an electrical furnishing, basic precautions should always be followed, including the following. Read all instructions before using Elevate II.

DANGER

To reduce the risk of electric shock, always unplug this furnishing from the electrical outlet before cleaning.

WARNING

To reduce the risk of burns, fire, electric shock, or injury to persons:

1. Unplug from outlet before putting on or taking of parts.
2. Close supervision is necessary when this furnishing is used by or near children, invalids, or disabled persons.
3. Use this furnishing only for its intended use as a described in these instructions. Do not use attachments not recommended by the manufacturer.
4. Never operate this furnishing if it has a damaged cord or plug, if it is not working properly, if it has been dropped or damaged, or dropped into water. Any damage to the electrical system must be examined & repaired by a qualified electrician.
5. Keep the cord away from heated surfaces.
6. Do not use outdoors.
7. Do not operate where aerosol (spray) products are being used or where oxygen is being administered.
8. To disconnect, remove plug from outlet.
9. The control box and legs have no user-serviceable parts and must be replaced by components from Anthro.
10. Power cord moves up and down with the table. Make sure power cord moves freely through all positions of the desk.
11. Protect the power cord from damage when moving the desk.
12. Maximum load is 150 lbs.

SAVE THESE INSTRUCTIONS

CONSIGNES DE SÉCURITÉ IMPORTANTES

En cas d'utilisation de mobilier alimenté électriquement, il est important de respecter certaines précautions de base, notamment celles décrites ci-dessous. Lire intégralement les consignes avant d'utiliser ce mobilier.

DANGER

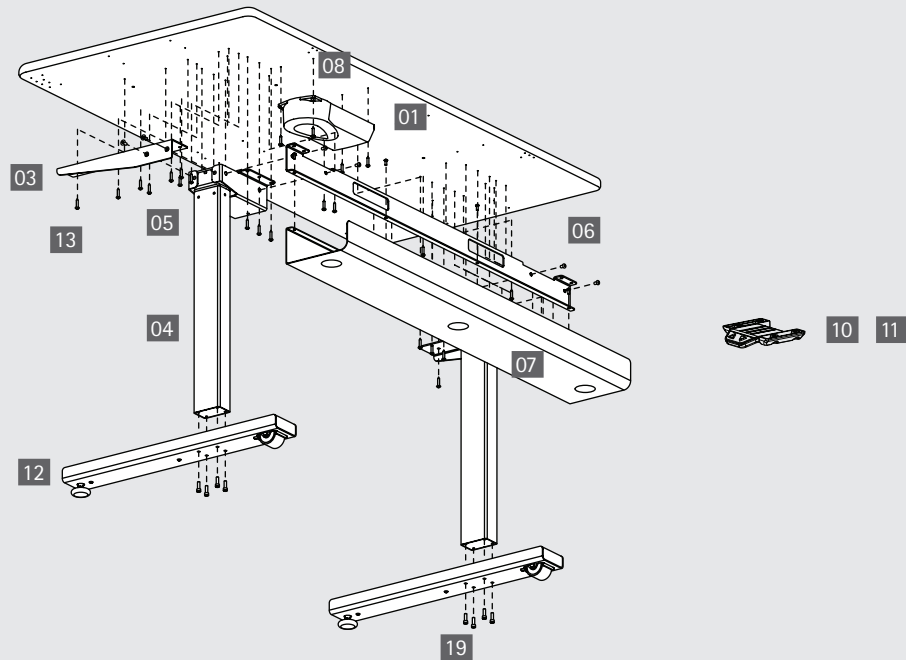
Pour limiter le risque de choc électrique, toujours débrancher le mobilier avant de nettoyer.

AVERTISSEMENT

Pour limiter les risques de brûlure, d'incendie, de choc électrique ou de blessure aux personnes :

1. Débrancher avant d'installer ou de retirer des pièces.
2. Une surveillance étroite est nécessaire lorsque ce mobilier est utilisé par ou à proximité des enfants, des personnes invalides ou handicapées.
3. Utiliser ce mobilier uniquement pour l'usage auquel il est destiné, tel que détaillé dans ces consignes. Ne pas utiliser d'accessoires non recommandés par le fabricant.
4. Ne jamais utiliser ce mobilier si un cordon ou une prise électrique est endommagé, ou s'il ne fonctionne pas correctement, s'il a été échappé ou endommagé ou s'il est tombé dans l'eau. Tout dispositif électrique endommagé doit être évalué et réparé par un électricien qualifié.
5. Maintenir le cordon électrique à l'écart de toute source de chaleur.
6. Ne pas utiliser à l'extérieur.
7. Ne pas utiliser où des produits aérosols (pulvérisateurs) sont utilisés ou lorsque de l'oxygène est administré.
8. Mettre le mobilier hors tension en débranchant de la prise.
9. Le boîtier de commande et les pieds ne comportent aucun élément réparable par l'utilisateur et doivent être exclusivement remplacés par des composants Anthro.
10. Le cordon d'alimentation monte et descend avec la table. Veuillez vous assurer que le cordon d'alimentation soit libre de se déplacer quelle que soit la position du bureau.
11. Protéger le cordon d'alimentation contre tout dommage lors du changement de position du bureau.
12. La charge maximale est de 68 kg.

CONSERVEZ CES CONSIGNES



WELCOME

Thank you for purchasing Anthro's Elevate II electric lift table!

If you have any questions or if we can help you in any way, please contact us at 800.325.3841.

TOOLS

Your Elevate II comes with these tools:

- 5/32" hex Anthro driver
- 5/32" hex driver bit
- 5mm hex key
- 1/8" hex key
- 3-way wrench



Technology Furniture®
– Fast and Friendly!

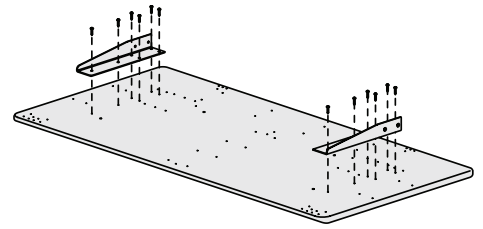
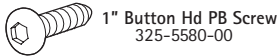
PARTS LIST

Before beginning assembly of your table, please review the parts list to verify that your shipment is complete.

#	Component	Quantity	Part Number
01	Worksurface	1	
	48w 23.25d Basic		100-6673-00
	48w 23.25d Plus		101-1109-03-00
	48w 29d Basic		100-6675-00
	48w 29d Plus		101-1108-03-00
	60w 23.25d Basic		100-6672-00
	60w 23.25 Plus		101-1105-03-00
	60w 29d Basic		100-6674-00
	60w 29d Plus		101-1107-03-00
02	Gusset X (not shown)	1	225-4611-00
03	Gusset Y	1	225-4612-00
04	Electric Leg	2	575-5085-00
05	Motor Housing	2	225-4613-00
06	Cross Pan	1	
	48w		225-4619-00
	60w		225-4615-00
07	Cable Tray	1	
	48w 23.25d		225-4638-00
	48w 29d		225-4625-00
	60w 23.25d		225-4637-00
	60w 29d		225-4624-00
08	Control Box	1	400-0780-00
09	Power Cord (not shown)	1	400-5181-00
10	Key Pad	1	400-5357-00
11	Key Pad Slider	1	400-5358-00
12	Foot	2	835-5556-00
13	1" Button-head MDF Screw	35	325-5580-00
14	M6-10 Button-head Screw	8	325-5503-00
15	M6x14 Flat-head Screw	4	325-5435-00
16	3/4" Phillips SMS Zinc Screw	4	325-5370-00
17	1/2" Button-hd Screw	3	325-5193-00
18	10-24 Nylock Nut	3	325-5186-00
19	M6-20 Cap Screw	8	325-5272-00
20	Control Box Cable (not shown)	2	400-5182-00

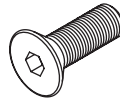
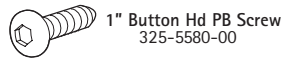
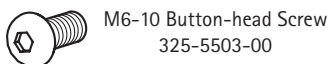
STEP 1 - ATTACH GUSSETS TO TOP

- Lay the worksurface upside down on a cushioned, non-marring surface. Locate the front edge of the table. On Plus tables, the front of the table has a sloping waterfall edge. On the Basic tables, the back edge of the table has the seam where the edgbanding meets.
- Align the Leg Gussets with the holes on the top so the upright flange faces the outside of the table and the tapering end points to the front of the table.
- Attach each gusset to the worksurface with six 1" Button Hd PB Screws (325-5580-00) using the Anthro driver.

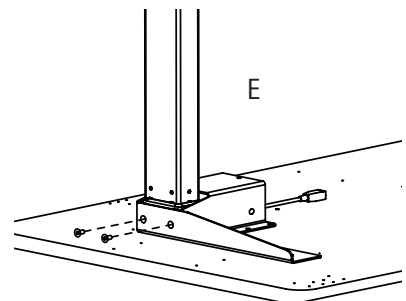
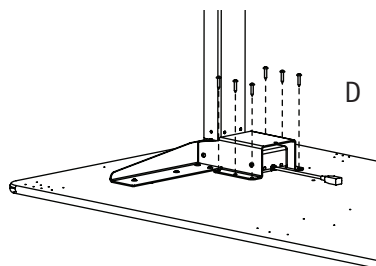
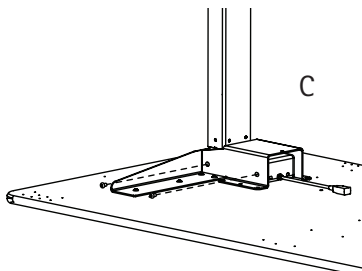
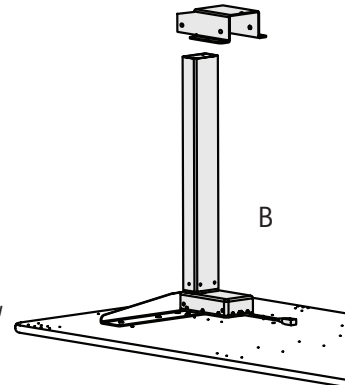
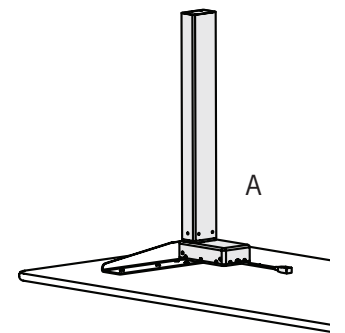


STEP 2 - INSTALL LEGS

- Align one Leg with one Leg Gusset so the cord feeds out of the Leg toward the center of the table. The Leg will rest on top of the Gusset's button-head screws, so it may feel a little wobbly. [A]
- Slide a Leg Housing over the Leg and down until it covers the Leg Motor and the six screw holes on the housing line up with the six pre-drilled holes on the shelf. [B]
- Move to the front of the table and attach the front of the Housing to the Leg with two M6-10MM Button Hd Screws (325-5503-00) using the Anthro driver. Tilt the leg slightly to align the holes. [C]
- Loosely attach the Housing to the shelf with six 1" Button Hd PB Screws (325-5580-00). [D]
- Attach the side of the Leg to the Leg Gusset with two M6-14 Flat-head Screws (325-5435-00). [E]
- Repeat for the other Leg and Housing.

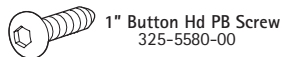


M6x14 Flat Hd Screw
325-5435-00



STEP 3 – INSTALL THE CROSS PAN

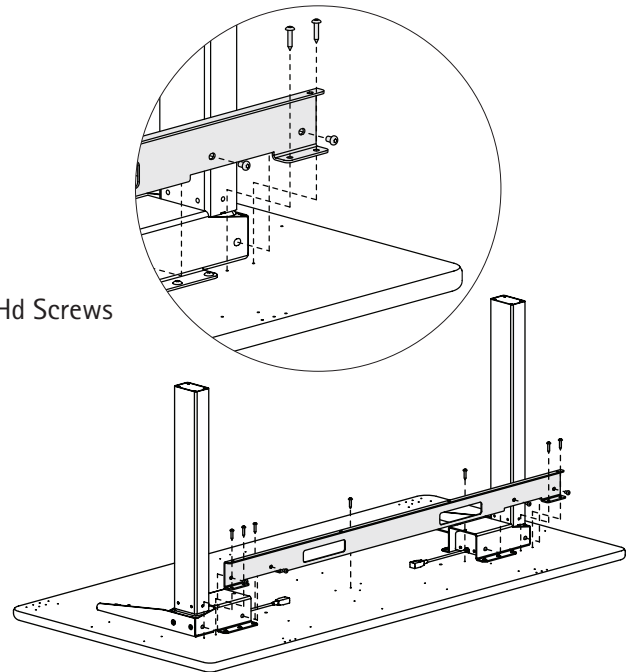
- Align the Cross Pan with the Leg Assemblies so the pair of flanges on the pan line up with the pre-drilled holes on the table. Attach the back of the pan to the top with four 1" Button Hd PB Screws (325-5580-00)
- Attach the front of the pan to the top with three more 1" Button Hd PB Screws (325-5580-00).
- Attach the pan to each Leg Housing with two M6-10MM Button Hd Screws (325-5503-00) using the Anthro driver.
- Tighten all fasteners.



1" Button Hd PB Screw
325-5580-00



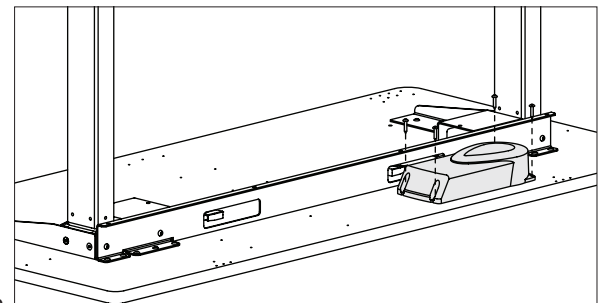
M6-10 Button-head Screw
325-5503-00



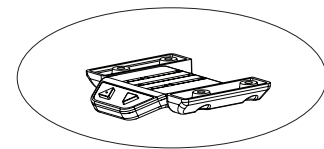
FOR DEEP TABLES, GO TO STEP 4A. FOR SHALLOW TABLES, GO TO STEP 4B.

STEP 4A – INSTALL CONTROL BOX AND KEYPAD – DEEP TABLES

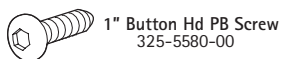
- Align the Control Box with the four pre-drilled holes on the worksurface behind the cross pan so you can see the ports on the Control Box through the openings on the cross pan. On 48" wide tables, the Control Box is installed at the center of the pan. On 60" wide tables (shown), the Control Box is installed either left or right of center.
- Attach the Control Box to the shelf with four 1" Button Hd PB Screws (325-5580-00) using the Anthro driver.
- The keypad is installed at the front of the table, either at the left edge or the right edge. Choose a location, just remember that the table's upside down now, so when you flip the table over, the keypad will be on the opposite side.
- Align the keypad and its slider housing with the four pre-drilled holes at the front of the keyboard surface so the buttons are face-down at the front edge of the keyboard surface and the flat side of the housing is against the shelf. The keypad can also be installed directly to the worksurface without the slider housing, either so it extends in front of the table or so it's set back a bit.
- Using four Phillips Head Screws (325-5370-00), attach the keypad and its housing (if desired) to the front of the worksurface. Install these screws by hand. Too much torque can damage the plastic.
- Go to Step 5.



Attaching the Control Box to the worksurface
of a deep 60" wide table.



Keypad and Housing



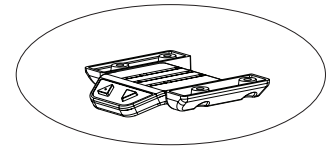
1" Button Hd PB Screw
325-5580-00



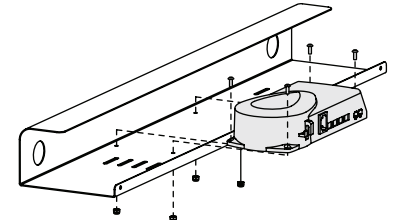
3/4" Phillips Screw
325-5370-00

STEP 4B - INSTALL CONTROL BOX AND KEYPAD - SHALLOW TABLES

- Align the keypad and its slider housing with the four pre-drilled holes at the front of the keyboard surface so the buttons are face-down at the front edge of the keyboard surface and the flat side of the housing is against the shelf. The keypad can also be installed directly to the worksurface without the slider housing, either so it extends in front of the table or so it's set back a bit.
- Using four Phillips Head Screws (325-5370-00), attach the keypad and its housing (if desired) to the front of the worksurface. Install these screws by hand. Too much torque can damage the plastic.
- Align the Control Box with the Cable Tray so the ports face up and the holes on the Control Box line up with the holes on the Cable Tray. The Control Box installs at the center of the tray on the 48w table. The 60w table comes with three installation points (left, center, and right). Attach the box to the tray with four 1/2" Button-head Screws and four Nylock Nuts using your own 3/8" socket (or the 3-way wrench provided) and the smallest hex key (1/8") in your kit.



Keypad and Housing



Attaching the Control Box to the Cable Tray of a shallow 48" wide table.



3/4" Phillips Screw
325-5370-00



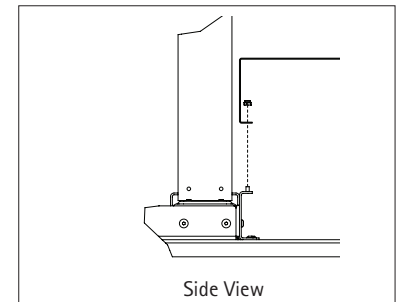
1/2" Button-hd Screw
325-5193-00



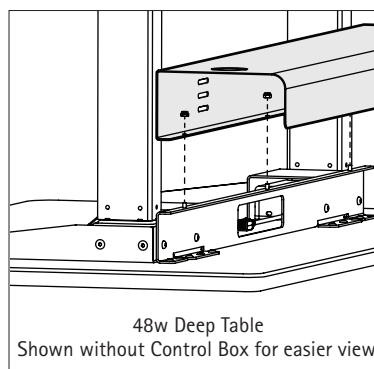
Nylock Nuts
325-5186-00

STEP 5 - INSTALL CABLE TRAY

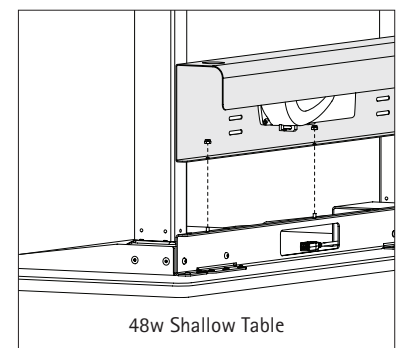
- Align the Cable Tray with the back of the table so the holes on the threaded posts on the cross pan line up with the holes on the cable tray. Attach the tray to the pan with three Nylock Nuts using your own 3/8" socket or the 3-way wrench provided. (The plastic end of the nut faces up.)
- Connect a 1-meter Control Box Cable to each leg cable, then plug each into a port on the Control Box through the opening in the support pan. Feed extra cable length through an opening in the support pan so it's organized in the Cable Tray.
- Route the Keypad's cable back to the Cross Pan and plug it into the Control Box. Feed extra cable length through an opening in the support pan so it's organized in the Cable Tray.
- Plug the Power Cord into the Control Box.
- Use the provided cable clips to route and organize cords. Install one cable clip next to the Leg Gusset for the Keypad Cord. Install the other clip next to the Cross Pan for the Control Box Cables.



Side View



48w Deep Table
Shown without Control Box for easier view.



48w Shallow Table



1/2" Button-hd Screw
325-5193-00

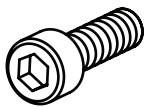
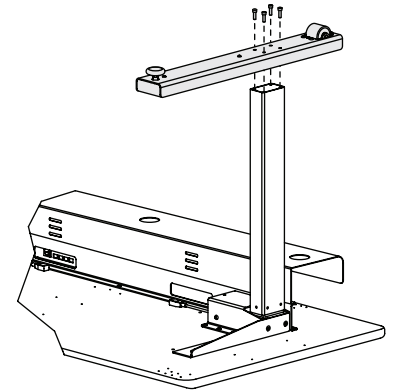


Nylock Nuts
325-5186-00

CONGRATULATIONS! YOUR ELEVATE II ASSEMBLY IS COMPLETE!

STEP 6 – INSTALL FEET AND HOME THE LEGS

- Align one foot with each leg so the wheels are at the back. Attach the foot to the leg with four M6x20 Socket-head Screws using the Anthro driver. Repeat for the other foot.
- With the help of another person, carefully rotate the table onto its feet. Plug in the table and use the keypad to move the table all the way down. Release the button and press it again to home the legs so they move in unison.
- Add your equipment and route cords into the cable tray. Carefully move the table through its entire range of motion to be sure that your power and data cables are long enough.



M6-20 Cap Screw
325-5272-00

RATINGS

Electrical Rating

- Voltage rating: 120Vac, 60 Hz. When desk is moving with rated load: 400W. When desk is not moving: less than 100mW.

Temperature Ratings

- Ambient temperature: 41 degrees F to 140 degrees F. Storage temperature: -4 degrees F to 158 degrees F.
- Acclimate table to ambient temperature before use.

Load Rating

- Elevate II has a weight capacity of 150 lbs of distributed load.

Duty Cycle

- Elevate II has a 10% duty cycle. This provides 6 minutes of movement per hour or two minutes of continuous use at full load. Once the table reaches its duty cycle, the table shuts down to cool; this usually takes about 20 minutes. Duty cycle is reduced when the load exceeds approved weight limit or temperature is outside the stated range.

SAFETY CHECK

- Plug in the table and home the legs. To home the legs, move the table to its lowest position, release the DOWN button, then press and hold the DOWN button for 5 seconds. The table will bump a few times, then rest.
- Raise the table to its highest position. Watch all the cords and cables as the table moves to verify that cords aren't wrapped around anything and that nothing interferes with the movement of the table.
- Every time you add equipment onto the table, route cords into the cable tray. Carefully move the table through its entire range of motion to be sure that your power and data cables are long enough. Check the area around your table for obstructions below, beside, and above the table to be sure there are no collisions.
- Verify that the load is distributed evenly across the table.

MOVING THE TABLE

- Keep your equipment safe: remove equipment from the table before you move it.
- Before moving the table, lower the table all the way down.
- To move the table, lift the surface enough to get the front feet off the ground, and roll it into place.
- Lift (don't roll) the table over thresholds, transitions, or bumps.

TROUBLESHOOTING GUIDE

Is the table giving you trouble? Try these steps first. Still need help? Contact Anthro at 800.325.3841.

Table won't go up, but it will go down.

- Inspect the leg cables, control box cable, and power cable to be sure they are connected properly and not damaged. Need replacements? Contact Anthro at 800.325.3841.
- Lower the table to its lowest position, release the button, then press the DOWN button again for 5 seconds to home the legs. The table will bump a few times, then rest.

Table won't move at all: no up, no down.

- Has the table exceeded its duty cycle, moving more than 6 minutes per hour or 2 minutes continuously? If so, rest the table for 20 minutes and try again.
- Inspect the leg cables, control box cable, and power cable to be sure they are connected properly and not damaged. Contact Anthro for replacements.
- Test the cables:
 - Unplug the Leg Cable that is plugged into Port 1 of the control box.
 - Push the DOWN button for 3 seconds and then the UP button for 3 seconds.
 - Unplug the Power Cord from the Control Box.
 - Plug the Leg Cable back into Port 1.
 - Plug the Power Cord back into the Control Box.
 - Push the DOWN button and hold until the table reaches its lowest position and stops, then release.
 - Push the DOWN button again and hold for 5 seconds.
 - Push the UP button to verify that the table goes up.

Desk will only go up a few inches...then stop...then up another few inches...then stop again.

- Verify that the load on the table does not exceed its 150 lbs lift capacity.

Cleaning instructions?

- Clean the table with a mild detergent and a soft cloth.

Warranty:

Elevate II has a Lifetime Warranty against manufacturing defects on the table and a 5-year warranty against manufacturing defects on the electrical system. Cords and plugs are not warranted.

Notices:

Technology Furniture, MoveMore and Elevate II are trademarks of Anthro Corporation. Anthro reserves the right to modify the design and specifications without prior notice.



300-5577-00