

quick start guide

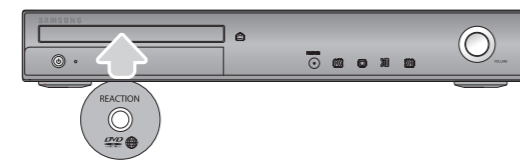
5.1CH Digital Home Cinema System

HT-Z210
HT-TZ212
HT-TZ215
HT-Z310
HT-TZ312
HT-TZ315

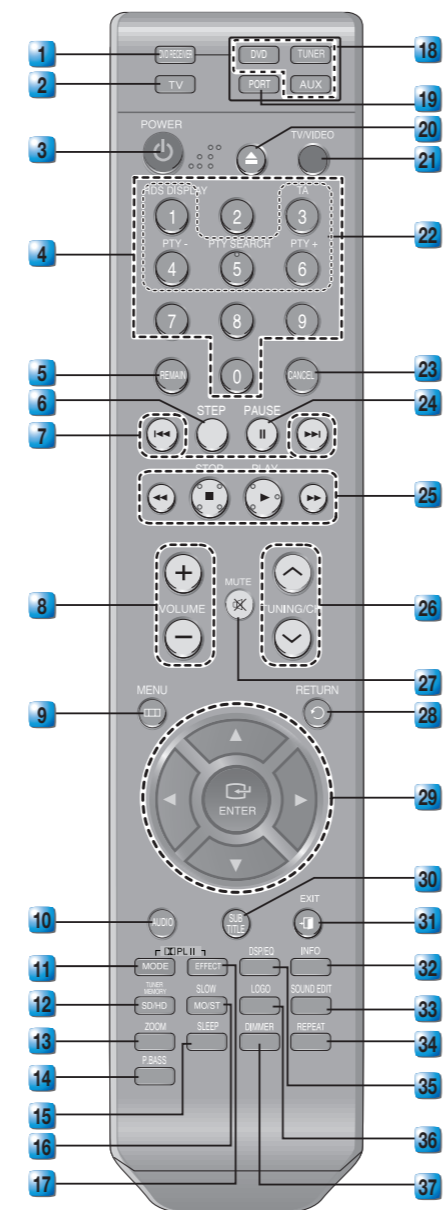
- 1 disc playback
- 2 remote control functions
- 3 connecting the speakers
- 4 connecting the video out to your tv
- 5 connecting audio from external components
- 6 listening to radio

1 disc playback

1. Press the **OPEN/CLOSE** (🔒) button to open the disc tray.
2. Load a disc.
 - Place a disc gently into the tray with the disc's label facing up.
3. Close the compartment by pressing the **OPEN/CLOSE** (🔒) button again.
 - Playback starts automatically.



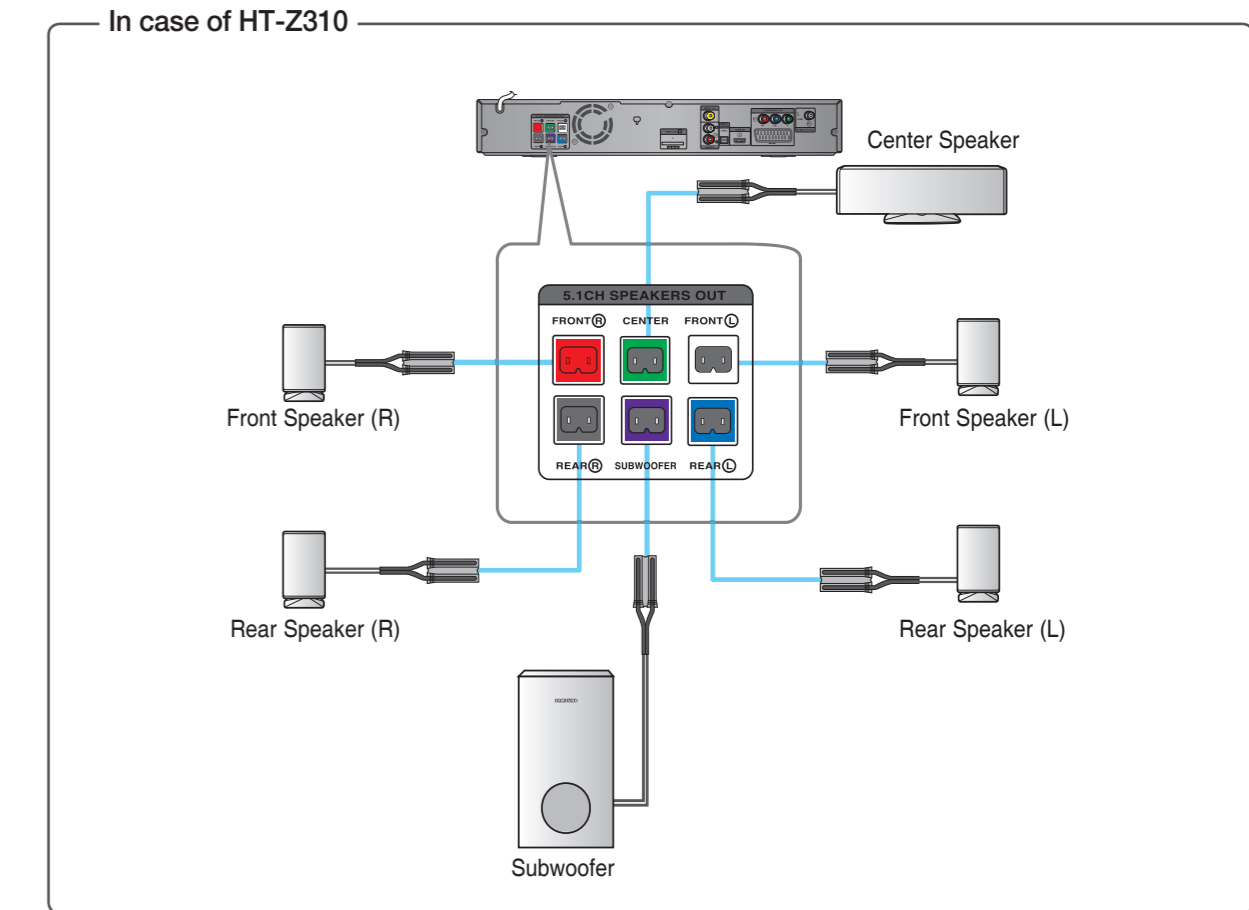
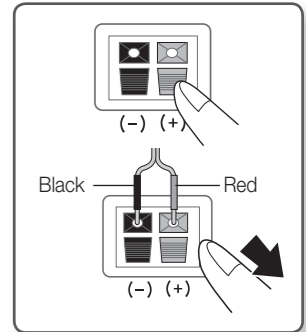
2 remote control functions



- | | |
|--|---|
| <p>1 DVD RECEIVER button
You can operate your DVD receiver with the remote control.</p> <p>2 TV button
You can operate your Samsung TV with the remote control.</p> <p>3 POWER button
Press to turn the Home Cinema or your Samsung TV On/Off.</p> <p>4 Number (0-9) buttons
Number 8 button: COMPONENT SEL.
Number 0 button: VIDEO SEL.</p> <p>5 REMAIN button
You can check the elapsed or remaining time on a disc.</p> <p>6 STEP button
The picture moves forward one frame each time the button is pressed during playback.</p> <p>7 Tuning Preset/CD Skip buttons
Tune in radio broadcasting, skip the song/scene.</p> <p>8 VOLUME button
Press + to raise the volume and - to lower it.</p> <p>9 MENU button
Press to see the menu.</p> <p>10 AUDIO button
Selects the Disc's Audio language.</p> <p>11 PL II MODE button
Allows you to select six different Dolby Pro Logic II audio modes.</p> <p>12 TUNER MEMORY, SD(Standard Definition)/HD(High Definition) button
Press to memorize radio frequencies. Press to select SD or HD mode.</p> <p>13 ZOOM button
Enlarges the picture during disc playback.</p> <p>14 P.BASS button
Provides more powerful bass.</p> <p>15 SLEEP button
Press to set the sleep off time.</p> <p>16 SLOW button
Selects three different slow motion playback speeds.</p> <p>17 MO/ST button
You can listen to radio broadcasts in MONO or STEREO.</p> <p>17 PL II EFFECT button
Adjusts the Dolby Pro Logic II audio effect.</p> <p>18 DVD button
Press to select the DVD mode.</p> <p>18 TUNER button
Press to listen to radio broadcasting.</p> <p>18 AUX button
Press to select external audio input.</p> | <p>19 PORT button
Press to select the USB mode.</p> <p>20 OPEN/CLOSE button</p> <p>21 TV/VIDEO button
Press TV/VIDEO button to select the Video input on your TV.</p> <p>22 RDS Selection buttons</p> <p>23 CANCEL button
Used to cancel a wrong entry.</p> <p>24 PAUSE button
Press to pause.</p> <p>25 PLAY button
Press to play.</p> <p>25 STOP button
Press to stop.</p> <p>25 SEARCH buttons
Fast backward or forward through a song/scene.</p> <p>26 TUNING/CH button
Press to select the channel or to tune in radio broadcasting.</p> <p>27 MUTE button
Press to mute the sound.</p> <p>28 RETURN button
Press to return to the previous menu.</p> <p>29 Cursor/ENTER button
Used to select or move up/down, left/right when setting the menu function.</p> <p>30 SUBTITLE button
Selects the disc subtitle language.</p> <p>31 EXIT button
Press to exit the setup screen.</p> <p>32 INFO button
View or change disc playback information on screen.</p> <p>33 SOUND EDIT button
Adjust the speaker sound settings and level.</p> <p>34 REPEAT button
Repeat playback of a chapter, title, group or track.</p> <p>35 DSP/EQ button
Digital Signal Processor/Equalizer functions in STEREO mode.</p> <p>36 LOGO button
You can make your own TV wallpaper (screen saver).</p> <p>37 DIMMER button
The front display brightness will be adjusted.</p> |
|--|---|

3 connecting the speakers

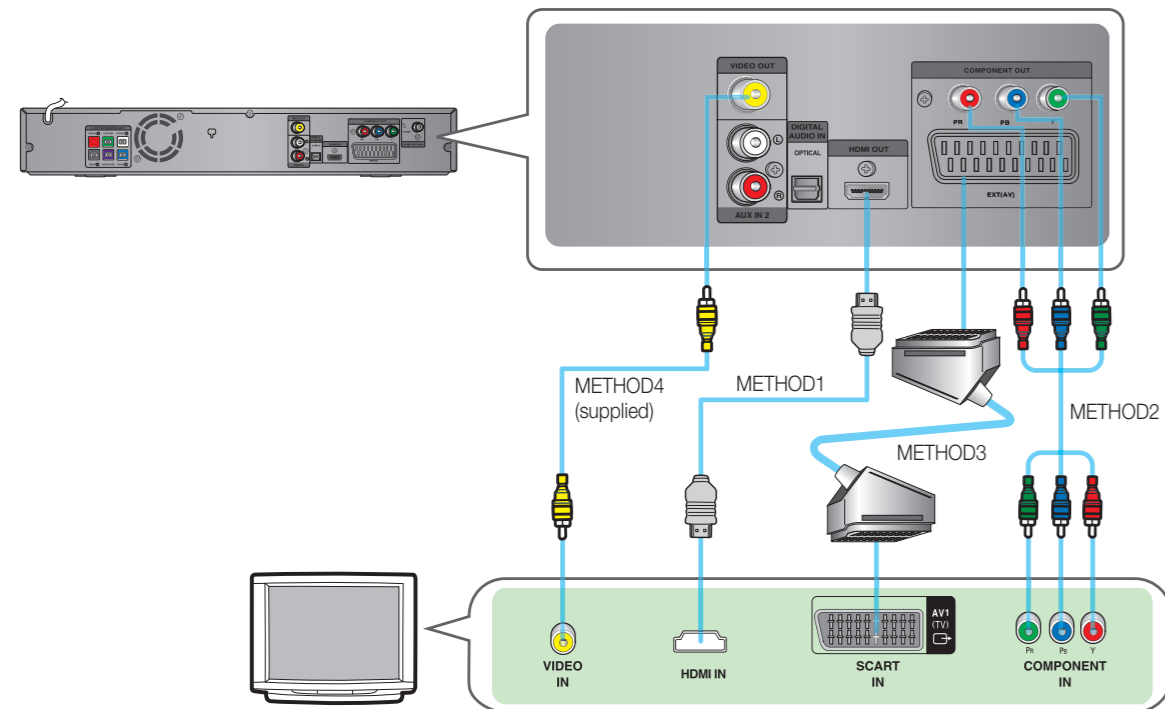
1. Press down the terminal tab on the back of the speaker.
2. Insert the black wire into the black terminal (-) and the red wire into the red (+) terminal, and then release the tab.
3. Connect the connecting plugs to the back of the Home Cinema.
 - Make sure the colors of the speaker terminals match the colors of the connecting plugs.



- ! Do not let children play with or near the speakers. They could get hurt if a speaker falls.
 - When connecting the speaker wires to the speakers, make sure that the polarity (+/-) is correct.
 - Keep the subwoofer speaker out of reach of children so as to prevent children from inserting their hands or alien substances into the duct (hole) of the subwoofer speaker.
 - Do not hang the subwoofer on a wall through the duct (hole).
- ☞ If you place a speaker near your TV set, screen color may be distorted because of the magnetic field generated by the speaker. If this occurs, place the speaker away from your TV set.

4 connecting the video out to your tv

Choose one of the four methods for connecting to a TV.



METHOD 1 : HDMI

Connect the HDMI cable (not supplied) from the HDMI OUT jack on the back of the DVD Player to the HDMI IN jack on your TV.

METHOD 2 : Component Video

If your television is equipped with Component Video inputs, connect a Component video cable(not supplied) from the Component Video Output (Pr, Pb and Y) jacks on the back of the DVD Player to the Component Video Input jacks on your TV.

METHOD 3 : Scart

If your television is equipped with a SCART input, connect a SCART (not supplied) from the AV OUT jack on the back panel of the main unit to the SCART IN jack on your television.

METHOD 4 : Composite Video

Connect the supplied Video cable from the VIDEO OUT jack on the back of the DVD Player to the VIDEO IN jack on your TV.

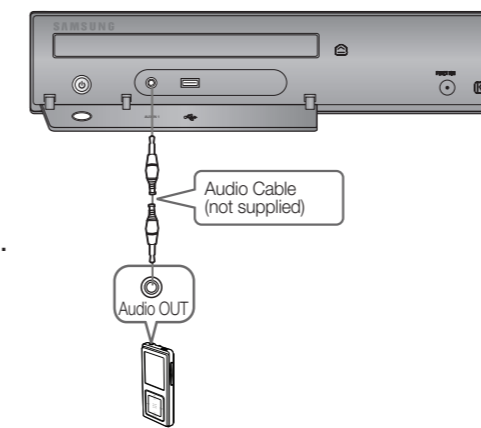
- Resolutions available for the HDMI output are 480p, 576p, 720p, 1080i/1080p.
- This product operates in Interlace scan mode (576i, 480i) for component output.
- If you use an HDMI cable to connect a Samsung TV to the DVD Player, you can operate the Home Cinema using the TV's remote control. This is only available with SAMSUNG TVs that support Anynet+(HDMI-CEC).
- Please check the logo (if your TV has an logo, then it supports the Anynet+ function.)

5 connecting audio from external components

AUX1 : Connecting an External Component/MP3 player

Components such as an MP3 Player

- Connect AUX IN 1 (Audio) on the Home Cinema to the Audio Out of the external component/MP3 player.
 - You can also use the **FUNCTION** button on the main unit.
- Press the **AUX** button on the remote control to select **AUX1** input.
 - You can also use the **FUNCTION** button on the main unit.The mode switches as follows :
DVD/CD → D.IN → AUX 1 → AUX 2 → USB → (BT AUDIO) → FM.

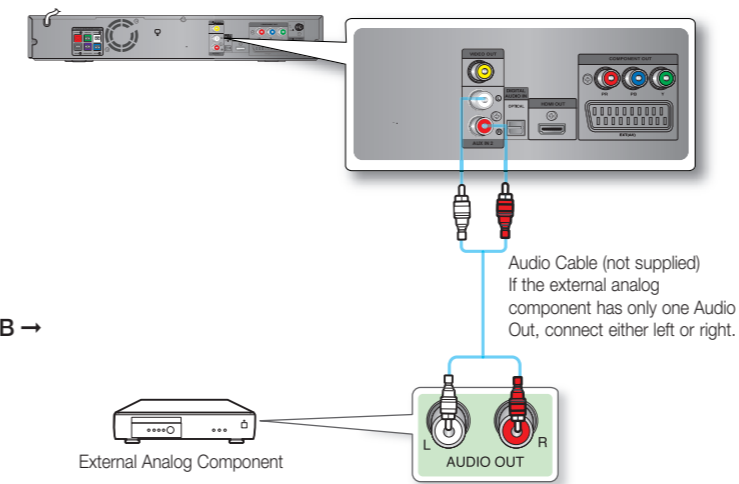


- HT-Z210/TZ212/TZ215 doesn't support Bluetooth function.

AUX2 : Connecting an External Analog Component

Analog signal components such as a VCR.

- Connect AUX IN 2 (Audio) on the Home Cinema to the Audio Out of the external analog component.
 - Be sure to match connector colors.
- Press the **AUX** button on the remote control to select **AUX 2** input.
 - You can also use the **FUNCTION** button on the main unit.The mode switches as follows :
DVD/CD → D.IN → AUX 1 → AUX 2 → USB → (BT AUDIO) → FM.



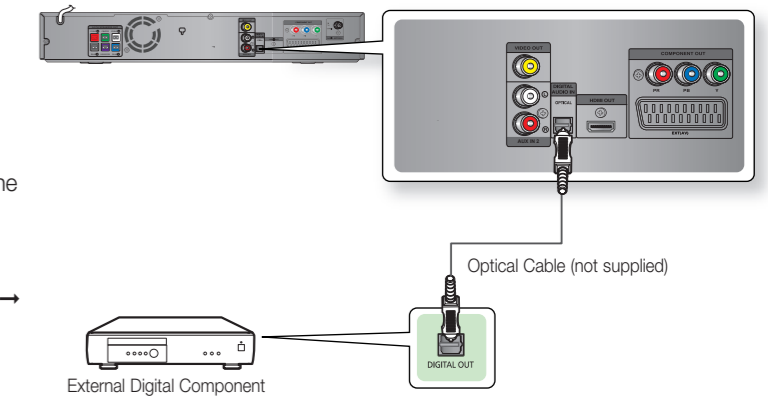
- You can connect the Video Output jack of your VCR to the TV, and connect the Audio Output jacks of the VCR to this product.

OPTICAL : Connecting an External Digital Component

Digital signal components such as a Cable Box/Satellite receiver (Set-Top Box).

- Connect the Digital Input (OPTICAL) on the Home Cinema to the Digital Output of the external digital component.
- Press the **AUX** button on the remote control to select **DIGITAL IN**.
 - You can also use the **FUNCTION** button on the main unit.The mode switches as follows :

DVD/CD → D.IN → AUX 1 → AUX 2 → USB → (BT AUDIO) → FM.



6 listening to radio

Connecting the FM Antenna

- Connect the FM antenna supplied to the FM 75Ω COAXIAL Jack.
- Slowly move the antenna wire around until you find a location where reception is good, then fasten it to a wall or other rigid surface.

Listening to Radio

Remote Control

- Press the **TUNER** button to select the FM band.
- Tune in to the desired station.
 - Automatic Tuning 1** : When the **◀▶** button is pressed, a preset broadcast station is selected.
 - Automatic Tuning 2** : Press and hold the **▲, ▼** button to automatically search for active broadcasting stations.
 - Manual Tuning** : Briefly press the **▲, ▼** button to increase or decrease the frequency incrementally.

Main Unit

- Press the **FUNCTION** button to select the FM band.
- Select a broadcast station.
 - Automatic Tuning 1** : Press the **STOP** (■) button to select **PRESET** and then press the **◀▶** button to select the preset station.
 - Automatic Tuning 2** : Press the **STOP** (■) button to select **MANUAL** and then press and hold the **◀▶** button to automatically search the band.
 - Manual Tuning** : Press the **STOP** (■) button to select **MANUAL** and then briefly press the **◀▶** button to tune in to a lower or higher frequency.

- This unit does not receive AM broadcasts.